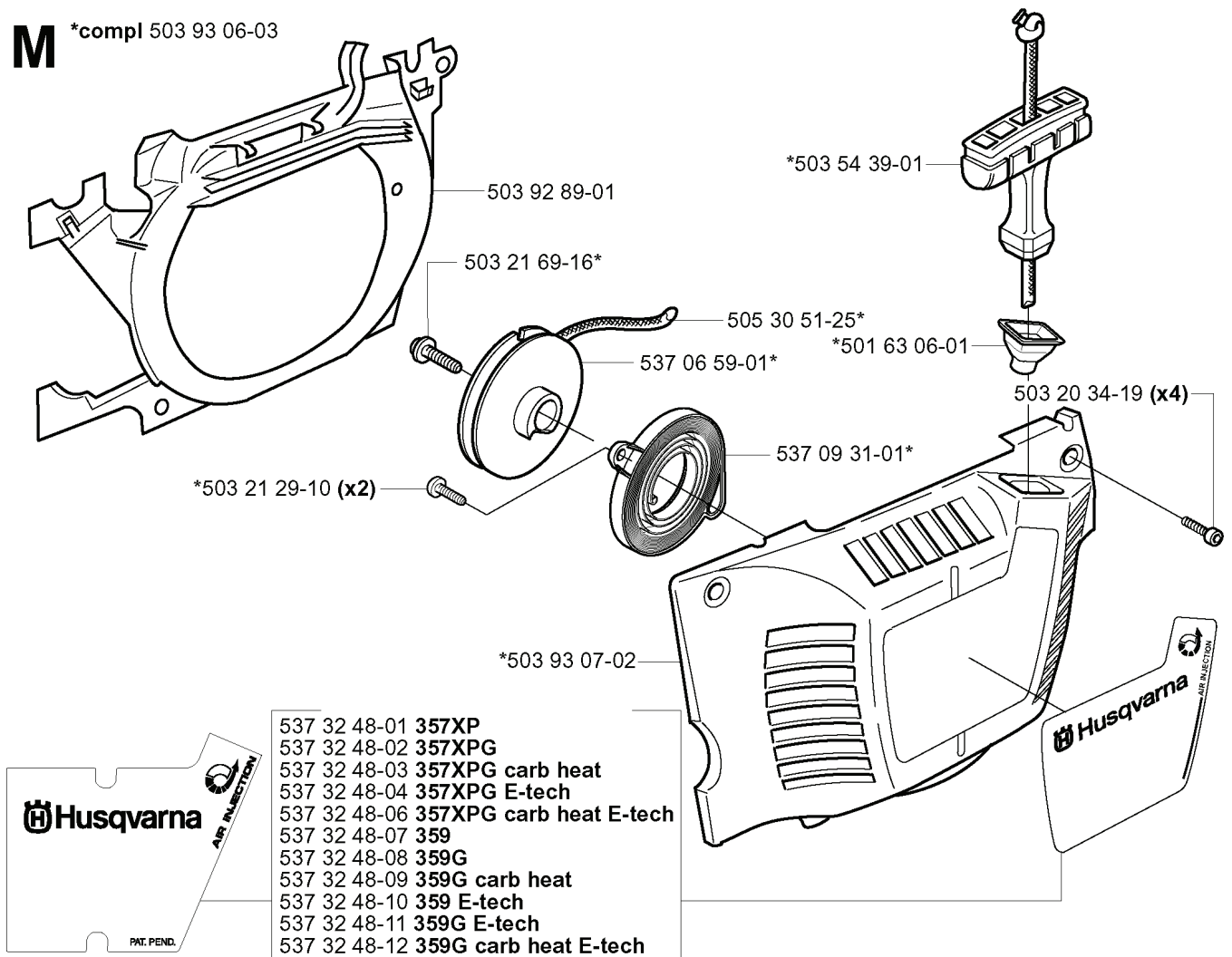


359, 20050600001-20060600000

SPARE PARTS LIST

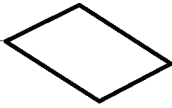
M *compl 503 93 06-03



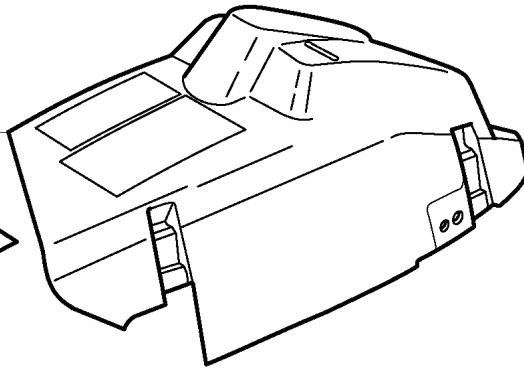
REF.	PART NO.	DESCRIPTION	REMARK	QTY.	KIT
5039306-03	503930603	STARTER		1	
5032129-10	503212910	SCREW CCRPANT		2	
5373248-01	537324801	LABEL	357XP	1	
5373248-02	537324802	LABEL	357XPG	1	
5373248-03	537324803	LABEL	357XPG CARB HEAT	1	
5373248-04	537324804	LABEL	357XPG E-TECH	1	
5373248-06	537324806	LABEL	357XPG CARB HEAT E-TECH	1	
5373248-07	537324807	LABEL	359	1	
5373248-08	537324808	LABEL	359G	1	
5373248-09	537324809	LABEL	359G CARB HEAT	1	
5373248-10	537324810	LABEL	359 E-TECH	1	
5373248-11	537324811	LABEL	359G E-TECH	1	
5373248-12	537324812	LABEL	359G CARB HEAT E-TECH	1	
5039307-02	503930702	STARTER HOUSING		1	
5032169-16	503216916	SCREW IHSCT		1	
5039289-01	503928901	AIR CONDUCTOR		1	
5053051-25	505305125	STARTER ROPE		1	
5370659-01	537065901	STARTER PULLEY		1	
5370931-01	537093101	SPRING CASSETTE ASSY		1	
5032034-19	503203419	SCREW CCRPANMO		4	
5016306-01	501630601	SLEEVE		1	
5035439-01	503543901	STARTER HANDLE		1	

C *compl 503 92 80-02

*503 84 59-01



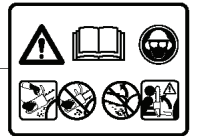
*



*501 63 97-01

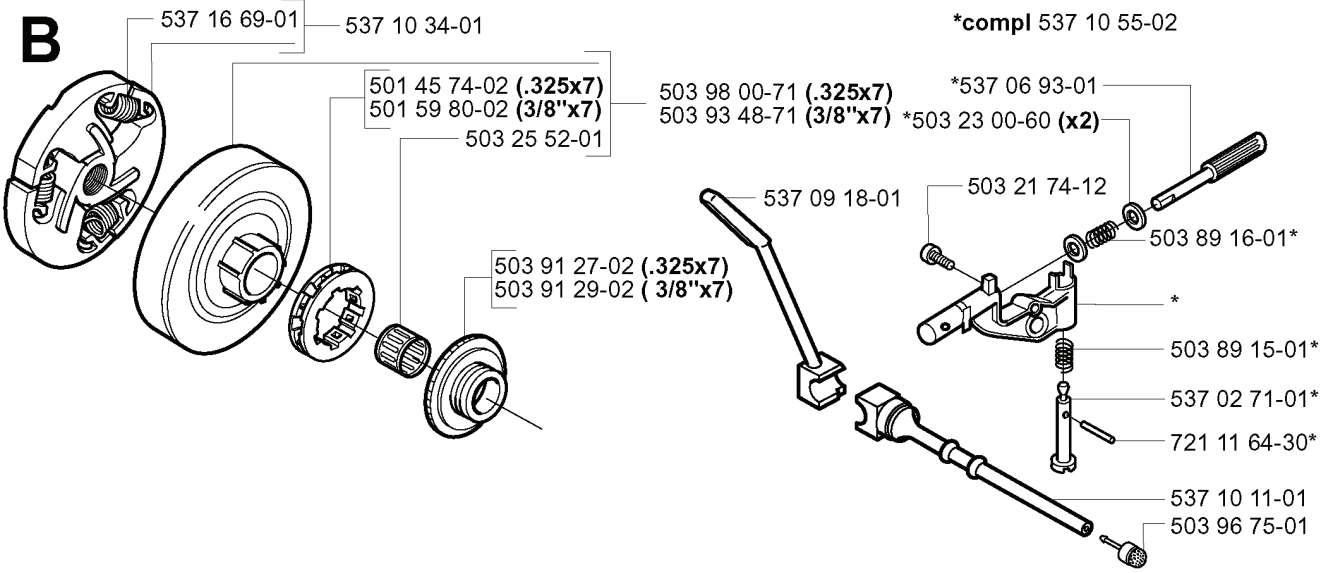


*503 98 74-01

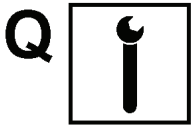


REF.	PART NO.	DESCRIPTION	REMARK	QTY.	KIT
503 92 80-02	503928002	CYLINDER COVER		1	
503 84 59-01	503845901	HEAT PROTECTOR		1	
503 98 74-01	503987401	LABEL		1	
501 63 97-01	501639701	COVER		1	

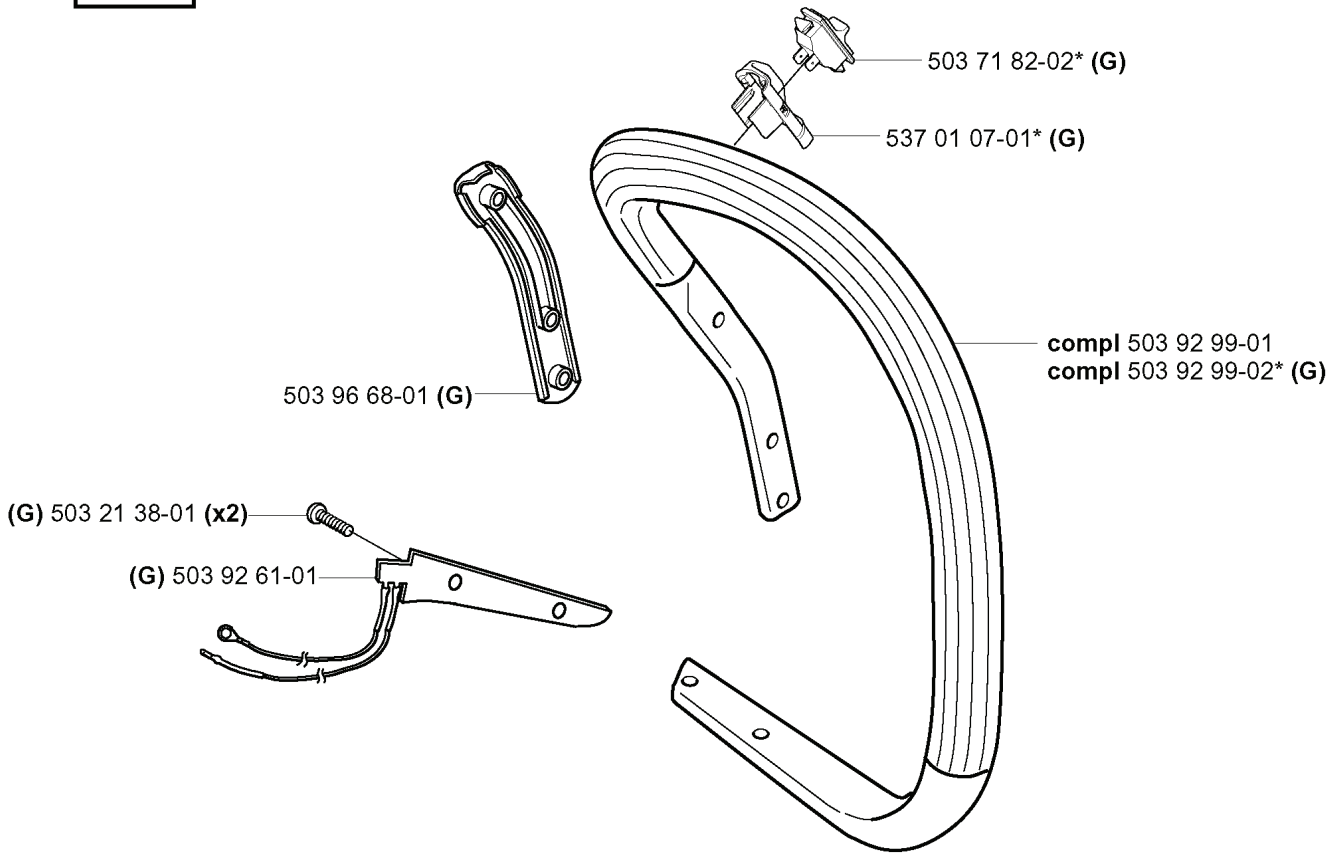
B



REF.	PART NO.	DESCRIPTION	REMARK	QTY.	KIT
537 16 69-01	537166901	CLUTCH SPRING		1	
537 10 34-01	537103401	CLUTCH ASSY		1	
501 45 74-02	501457402	RIM	.325X7	1	
501 59 80-02	501598002	RIM	3/8X7	1	
503 25 52-01	503255201	NEEDLE BEARING		1	
503 91 27-02	503912702	PUMP PINION	.325X7	1	
503 91 29-02	503912902	PUMP PINION	3/8X7	1	
537 09 18-01	537091801	OIL PRESSURE HOSE		1	
503 93 48-71	503934871	CLUTCH DRUM ASSY	3/8X7	1	
503 98 00-71	503980071	CLUTCH DRUM	.325X7	1	
537 10 55-02	537105502	OIL PUMP		1	
537 06 93-01	537069301	PUMP PISTON		1	
503 23 00-60	503230060	WASHER		2	
503 21 74-12	503217412	SCREW IHSCT		1	
503 96 75-01	503967501	OIL PLUMMET		1	
537 10 11-01	537101101	OIL HOSE		1	
721 11 64-30	721116430	GROOVED PIN		1	
537 02 71-01	537027101	ADJUSTER		1	
503 89 15-01	503891501	SPRING		1	
503 89 16-01	503891601	SPRING		1	

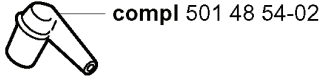
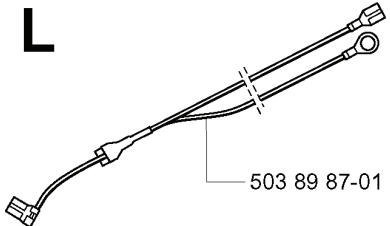


Up to 043800001 (357XP,359)
Up to 044800001 (357XPG,359G)

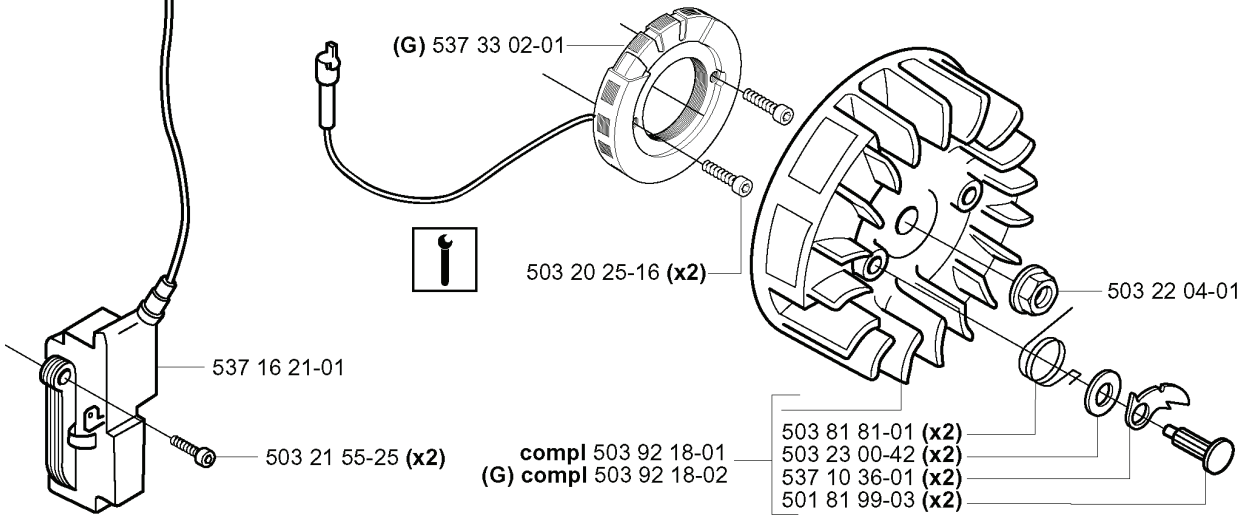
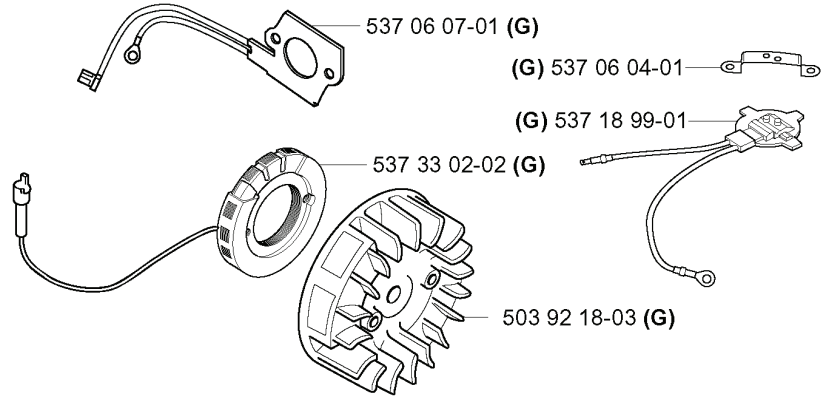


REF.	PART NO.	DESCRIPTION	REMARK	QTY.	KIT
5039668-01	503966801	COVER	G	1	
5032138-01	503213801	SCREW CRCSRT	G	2	
5039261-01	503926101	HEATING PLATE	G	1	
5039299-02	503929902	HANDLE	G	1	
5039299-01	503929901	HANDLE		1	
5370107-01	537010701	FRAME	G	1	
5037182-02	503718202	SWITCH	G	1	

L

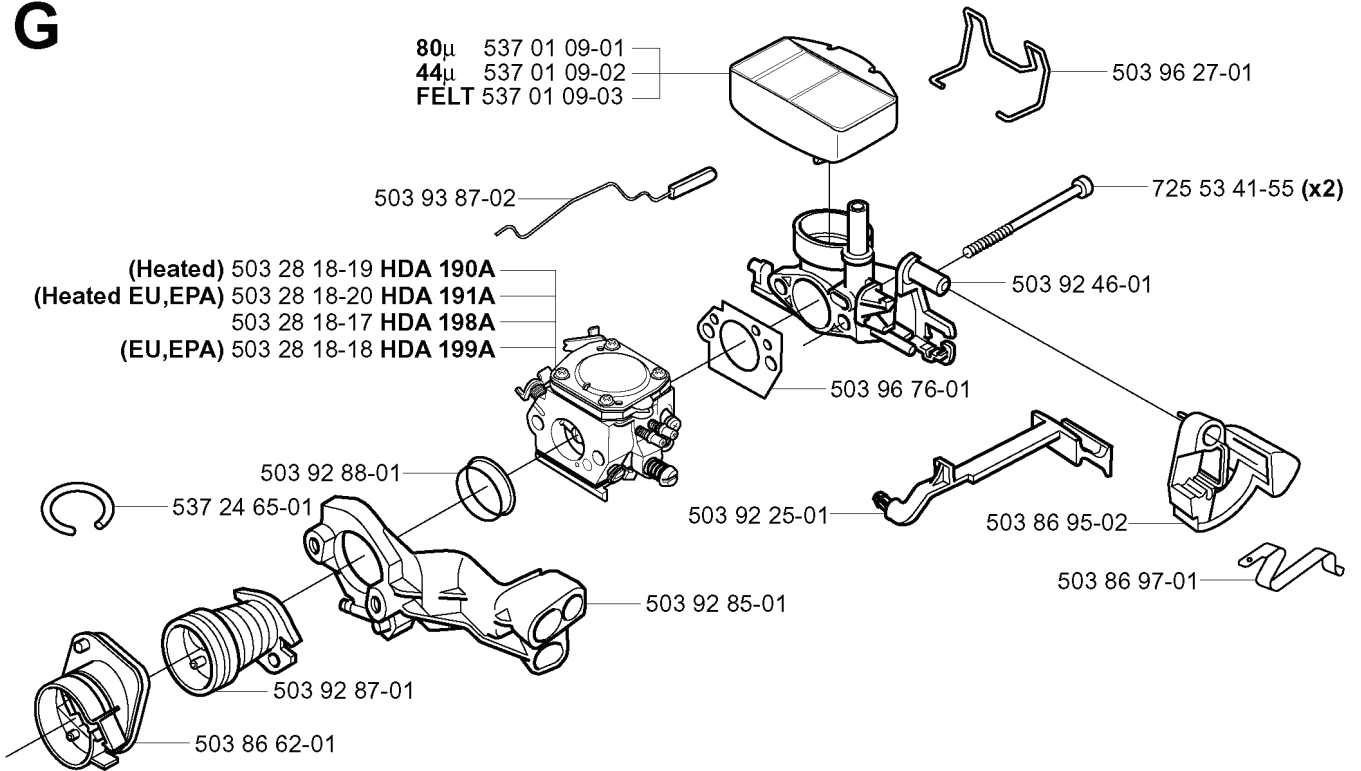


Heated carburettor

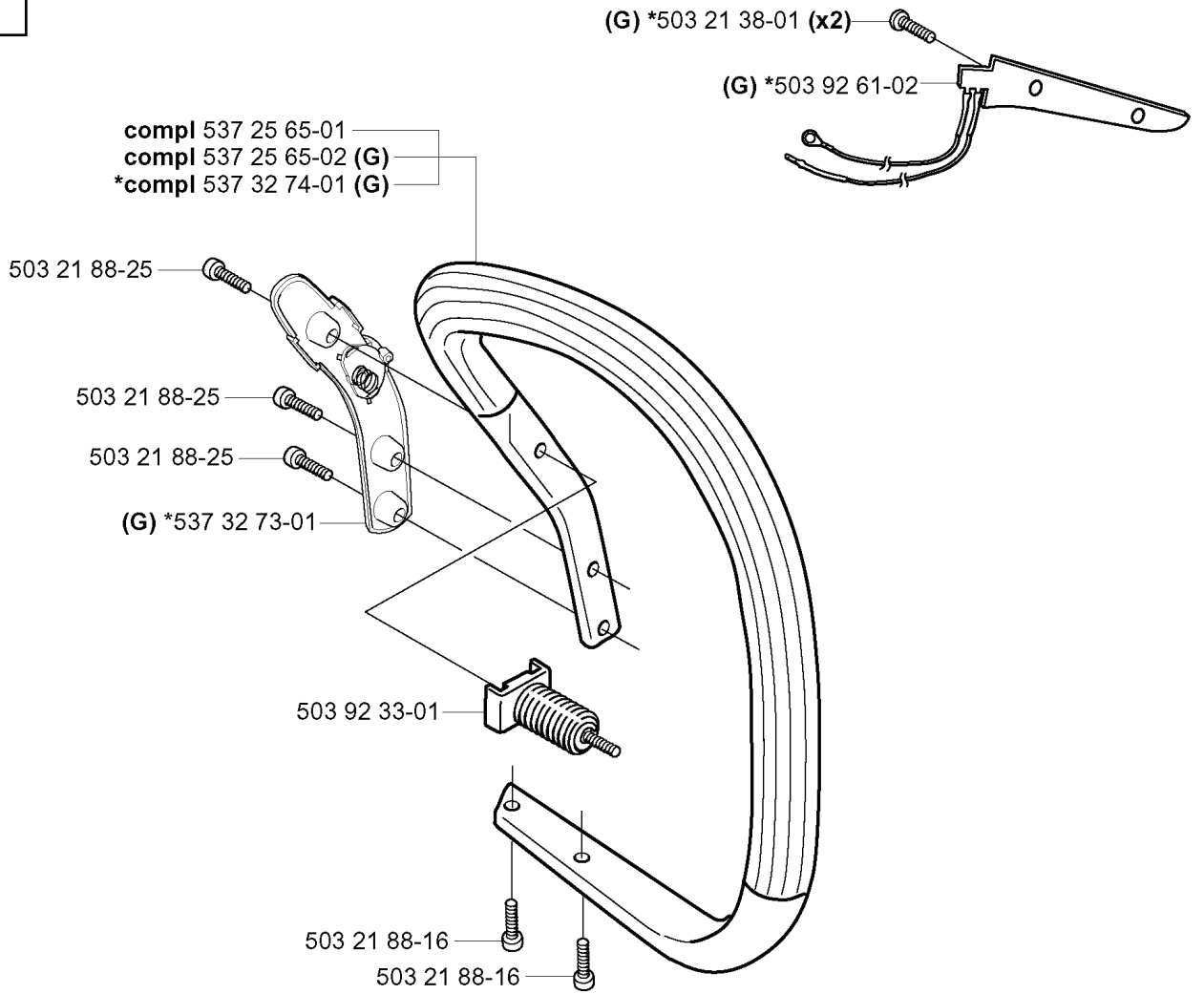


REF.	PART NO.	DESCRIPTION	REMARK	QTY.	KIT
503 89 87-01	503898701	WIRING ASSY		1	
501 48 54-02	501485402	SPARK PLUG CAP		1	
537 33 02-01	537330201	GENERATOR STATOR	G	1	
537 16 21-01	537162101	IGNITION SYSTEM		1	
503 21 55-25	503215525	SCREW IHSC T		2	
503 92 18-02	503921802	FLYWHEEL	G	1	
503 92 18-01	503921801	FLYWHEEL		1	
503 20 25-16	503202516	SCREW IHSCM		2	
503 81 81-01	503818101	SPRING		2	
503 23 00-42	503230042	WASHER		2	
537 10 36-01	537103601	STARTER PAWL		2	
501 81 99-03	501819903	SCREW		2	
503 22 04-01	503220401	NUT		1	
503 92 18-03	503921803	FLYWHEEL	G	1	
537 33 02-02	537330202	GENERATOR STATOR	G	1	
537 18 99-01	537189901	THERMOSTAT ASSY	G	1	
537 06 04-01	537060401	RETAINER	G	1	
537 06 07-01	537060701	FOIL ELEMENT	G	1	

G



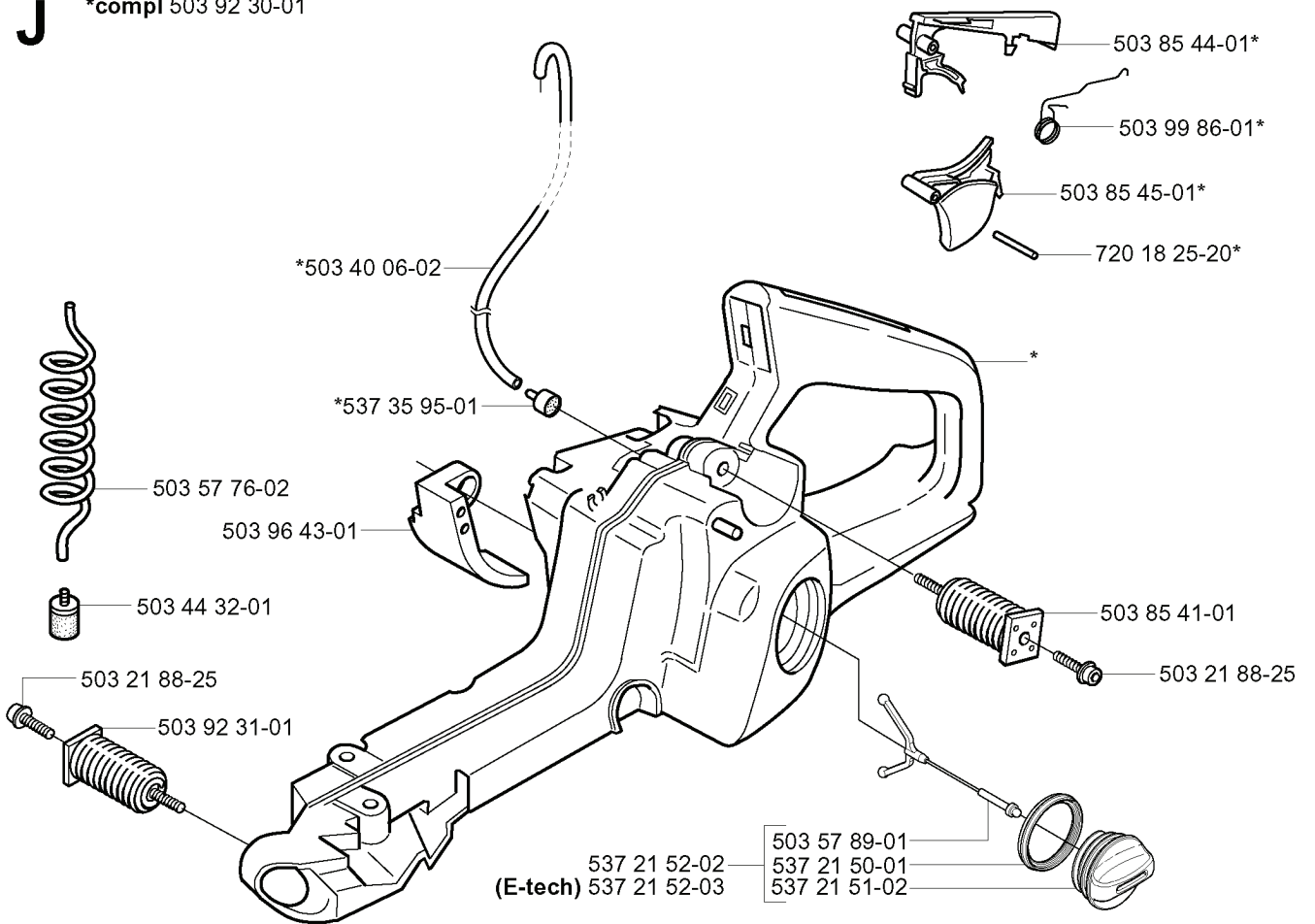
REF.	PART NO.	DESCRIPTION	REMARK	QTY.	KIT
537 01 09-01	537010901	AIR FILTER		1	
537 01 09-02	537010902	AIR FILTER		1	
537 01 09-03	537010903	AIR FILTER	FELT	1	
503 93 87-02	503938702	WIRE		1	
503 28 18-19	503281819	CARBURETTOR	(HEATED) HDA 190A	1	
503 28 18-20	503281820	CARBURETTOR	(HEATED EU, EPA) HDA 191A	1	
503 28 18-17	503281817	CARBURETTOR	HDA 198A	1	
503 28 18-18	503281818	CARBURETTOR	(EU, EPA) HDA 199A	1	
503 92 88-01	503928801	RING		1	
537 24 65-01	537246501	IMPULSE HOSE		1	
503 92 87-01	503928701	BELLOWS		1	
503 86 62-01	503866201	INSULATION WALL		1	
503 92 85-01	503928501	FLANGE		1	
503 92 25-01	503922501	CHOKE CONTROL		1	
503 86 95-02	503869502	STOP SWITCH		1	
503 86 97-01	503869701	SHORT CIRCUIT SPRING		1	
503 96 76-01	503967601	GASKET		1	
503 92 46-01	503924601	INLET BEND		1	
725 53 41-55	725534155	SCREW IHSCM		2	
503 96 27-01	503962701	CLAMP		1	



REF.	PART NO.	DESCRIPTION	REMARK	QTY.	KIT
537 25 65-01	537256501	HANDLE		1	
537 25 65-02	537256502	HANDLE	G	1	
537 32 74-01	537327401	HANDLE	G	1	
503 21 88-25	503218825	SCREW IHSCFT		1	
537 32 73-01	537327301	CONTACT	G	1	
503 92 33-01	503923301	ANTIVIBRATION ELEMENT		1	
503 21 88-16	503218816	SCREW IHSCFT		1	
503 92 61-02	503926102	HEATING PLATE	G	1	
503 21 38-01	503213801	SCREW CRCSRT	G	2	

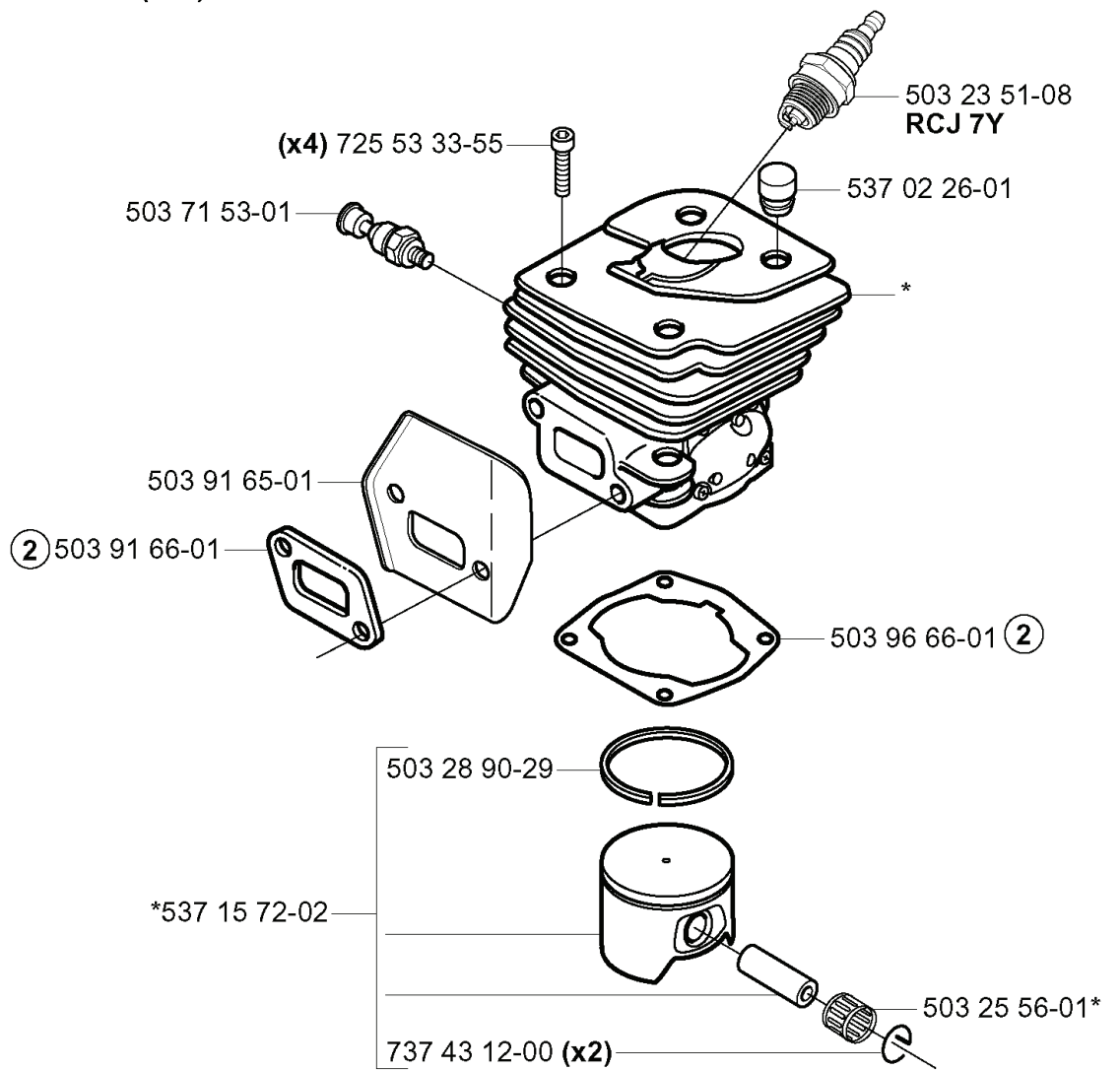
J

*compl 503 92 30-01



REF.	PART NO.	DESCRIPTION	REMARK	QTY.	KIT
503 92 30-01	503923001	FUEL TANK		1	
503 40 06-02	503400602	IMPULSE HOSE		1	
537 35 95-01	537359501	TANK VENT ASSY		1	
503 57 76-02	503577602	FUEL HOSE		1	
503 96 43-01	503964301	WEAR PROTECTION		1	
503 44 32-01	503443201	FUEL FILTER		1	
503 21 88-25	503218825	SCREW IHSCFT		1	
503 92 31-01	503923101	ANTIVIBRATION ELEMENT		1	
537 21 52-03	537215203	TANK CAP ASSY	E-TECH	1	
537 21 52-02	537215202	TANK CAP ASSY		1	
537 21 51-02	537215102	TANK		1	
537 21 50-01	537215001	SEALING		1	
503 57 89-01	503578901	HOLDER		1	
503 85 41-01	503854101	ANTIVIBRATION ELEMENT		1	
720 18 25-20	720182520	PARALLEL PIN		1	
503 85 45-01	503854501	TRIGGER		1	
503 99 86-01	503998601	RECOIL SPRING		1	
503 85 44-01	503854401	THROTTLE LOCKOUT		1	

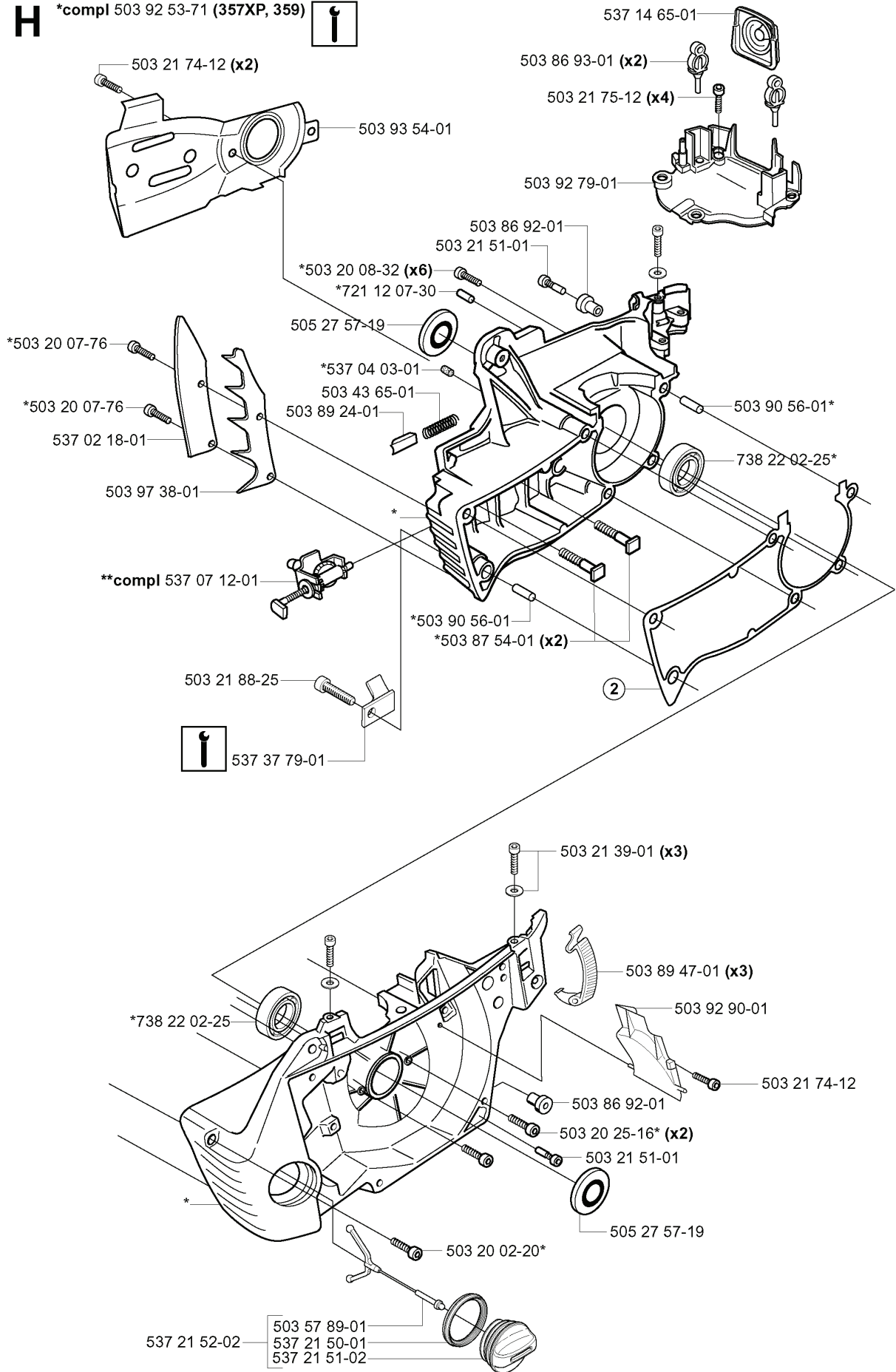
D *compl 537 15 73-02 (359)



REF.	PART NO.	DESCRIPTION	REMARK	QTY.	KIT
537 15 73-02	537157302	CYLINDER ASSY	359	1	
725 53 33-55	725533355	SCREW IHSCM		4	
503 71 53-01	503715301	DECOMPRESSION VALVE		1	
503 91 65-01	503916501	HEAT DEFLECTOR		1	
503 91 66-01	503916601	GASKET		1	
503 28 90-29	503289029	PISTON RING		1	
537 15 72-02	537157202	PISTON ASSY		1	
737 43 12-00	737431200	SNAP RING		2	
503 25 56-01	503255601	NEEDLE BEARING		1	
503 96 66-01	503966601	GASKET		1	
537 02 26-01	537022601	SUPPORT		1	
503 23 51-08	503235108	SPARK PLUG	RCJ 7Y	1	

H

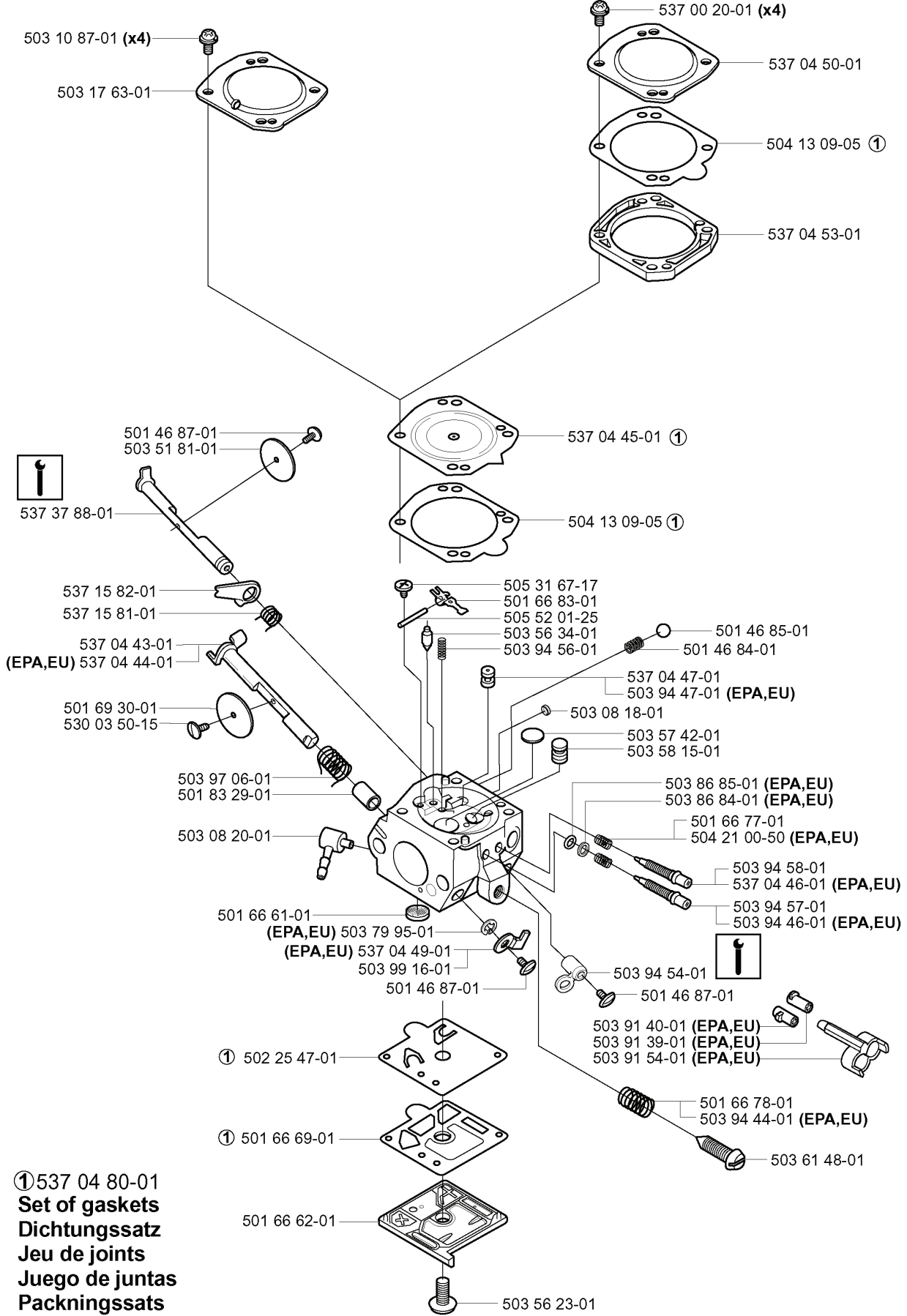
*compl 503 92 53-71 (357XP, 359)



REF.	PART NO.	DESCRIPTION	REMARK	QTY.	KIT
503 92 53-71	503925371	CRANKCASE ASSY	357XP, 359	1	
503 21 74-12	503217412	SCREW IH SCT		2	
503 20 07-76	503200776	SCREW IH SCFM		1	
537 02 18-01	537021801	BUMPER		1	
503 97 38-01	503973801	SPIKE		1	
537 07 12-01	537071201	CHAIN TENSIONER		1	
503 21 88-25	503218825	SCREW IH SCFT		1	
537 37 79-01	537377901	CHAIN CATCHER		1	
738 22 02-25	738220225	BALL BEARING		1	
537 21 52-02	537215202	TANK CAP ASSY		1	
537 21 51-02	537215102	TANK		1	
537 21 50-01	537215001	SEALING		1	
503 57 89-01	503578901	HOLDER		1	
503 20 02-20	503200220	SCREW IH SCFM		1	
503 87 54-01	503875401	BAR BOLT		2	
503 90 56-01	503905601	GUIDE BUSHING		1	
503 89 24-01	503892401	LOCK		1	
503 43 65-01	503436501	POSITION SPRING		1	
537 04 03-01	537040301	VALVE		1	
505 27 57-19	505275719	SEALING RING		1	
721 12 07-30	721120730	GROOVED PIN		1	
503 20 08-32	503200832	SCREW IH SCM		6	
503 93 54-01	503935401	CHAIN GUIDE PLATE		1	
537 14 65-01	537146501	BELLOWS		1	
503 86 93-01	503869301	SUPPORT		2	
503 21 75-12	503217512	SCREW IH SCFT		4	
503 92 79-01	503927901	CARBURETTOR		1	
503 21 51-01	503215101	SCREW IH SCT		1	
503 21 39-01	503213901	SCREW IH SCT		3	
503 89 47-01	503894701	SNAP LOCKING		3	
503 92 90-01	503929001	JET		1	
503 86 92-01	503869201	BUSHING		1	
503 20 25-16	503202516	SCREW IH SCM		2	
	503978501	GASKET KIT		1	

N compl 503 28 18-19 Walbro HDA 190A Heated
 compl 503 28 18-20 Walbro HDA 191A Heated (EPA,EU)

compl 503 28 18-17 Walbro HDA 198A
 compl 503 28 18-18 Walbro HDA 199A (EPA,EU)



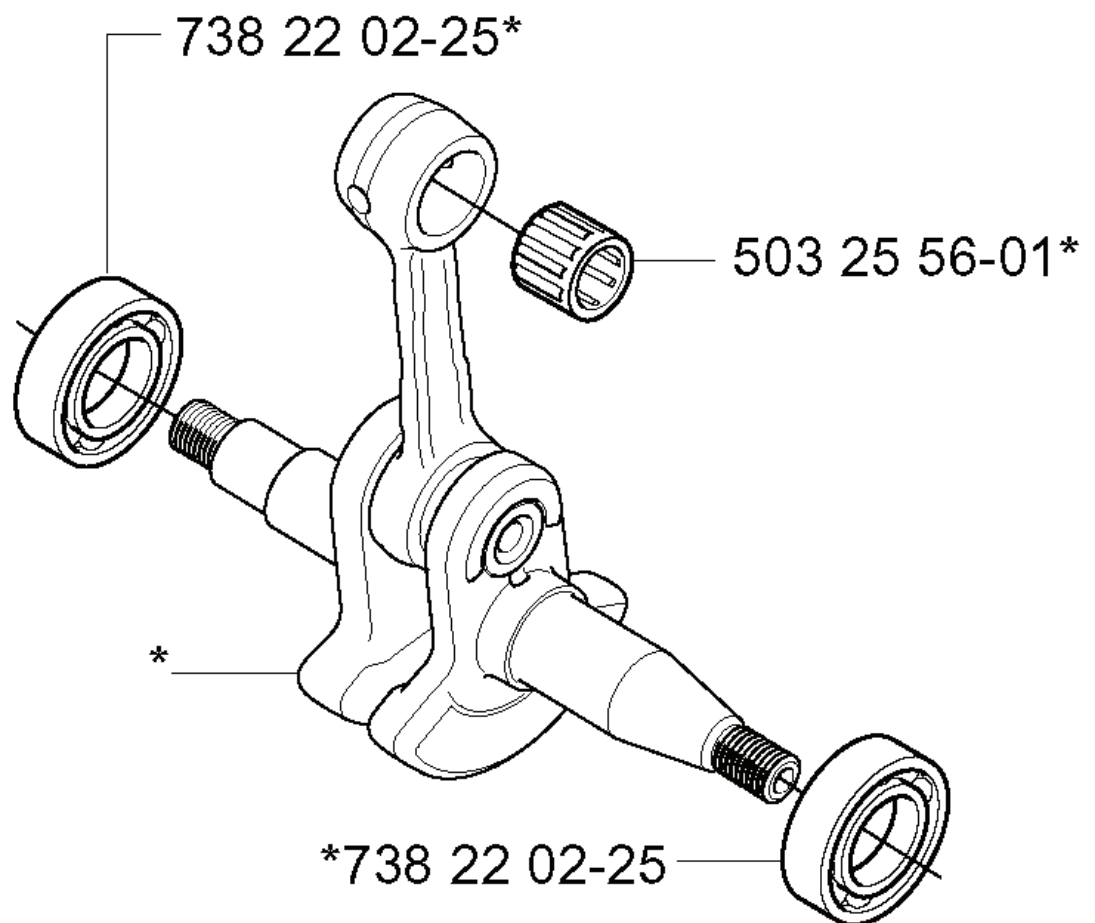
① 537 04 80-01
Set of gaskets
Dichtungssatz
Jeu de joints
Juego de juntas
Packningssats

REF.	PART NO.	DESCRIPTION	REMARK	QTY.	KIT
503 28 18-19	503281819	CARBURETTOR	WALBRO HDA 190A HEATED	1	
503 28 18-20	503281820	CARBURETTOR	WALBRO HDA 191A HEATED (EPA, EU)	1	
503 10 87-01	503108701	SCREW		4	
503 17 63-01	503176301	COVER		1	
503 51 81-01	503518101	VALVE THROTTLE		1	
537 37 88-01	537378801	SHAFT ASSY		1	
537 15 82-01	537158201	LEVER		1	
537 15 81-01	537158101	SPRING		1	
537 04 43-01	537044301	SHAFT ASSY		1	
537 04 44-01	537044401	SHAFT ASSY	EPA, EU	1	
501 69 30-01	501693001	VALVE		1	
530 03 50-15	530035015	SCREW		1	
503 97 06-01	503970601	SPRING		1	
501 83 29-01	501832901	BUSHING		1	
503 08 20-01	503082001	FITTING		1	
501 66 61-01	501666101	SCREEN		1	
503 79 95-01	503799501	RETAINER RING	EPA, EU	1	
537 04 49-01	537044901	LEVER	EPA, EU	1	
503 99 16-01	503991601	LEVER		1	
501 46 87-01	501468701	SCREW		1	
502 25 47-01	502254701	DIAPHRAGM PUMP	537 04 80-01 SET OF GASKETS	1	
501 66 69-01	501666901	GASKET	537 04 80-01 SET OF GASKETS	1	
501 66 62-01	501666201	COVER		1	
503 56 23-01	503562301	SCREW		1	
503 61 48-01	503614801	SCREW		1	
503 94 44-01	503944401	SPRING	EPA, EU	1	
501 66 78-01	501667801	SPRING		1	
503 91 54-01	503915401	RETAINER	EPA, EU	1	
503 91 39-01	503913901	LIMITER CAP	EPA, EU	1	
503 91 40-01	503914001	LIMITER CAP	EPA, EU	1	
503 94 54-01	503945401	LEVER		1	
503 94 46-01	503944601	NEEDLE	EPA, EU	1	
503 94 57-01	503945701	NEEDLE		1	
537 04 46-01	537044601	NEEDLE HIGH SPEED	EPA, EU	1	
503 94 58-01	503945801	NEEDLE		1	
504 21 00-50	504210050	SPRING	EPA, EU	1	
501 66 77-01	501667701	SPRING		1	
503 86 84-01	503868401	WASHER	EPA, EU	1	
503 86 85-01	503868501	O-RING	EPA, EU	1	
503 58 15-01	503581501	NOZZLE ASSY		1	
503 57 42-01	503574201	PLUG		1	

REF.	PART NO.	DESCRIPTION	REMARK	QTY.	KIT
5030818-01	503081801	PLUG		1	
5039447-01	503944701	JET	EPA, EU	1	
5370447-01	537044701	JET		1	
5014684-01	501468401	SPRING		1	
5014685-01	501468501	BALL		1	
5039456-01	503945601	SPRING		1	
5035634-01	503563401	NEEDLE VALVE		1	
5055201-25	505520125	PIN		1	
5016683-01	501668301	LEVER		1	
5053167-17	505316717	SCREW		1	
5370445-01	537044501	DIAPHRAGM	5370480-01 SET OF GASKETS	1	
5370453-01	537045301	PLATE		1	
5041309-05	504130905	GASKET	5370480-01 SET OF GASKETS	1	
5370450-01	537045001	COVER		1	
5370020-01	537002001	SCREW		4	
5032818-18	503281818	CARBURETTOR	WALBRO HDA 199A (EPA, EU)	1	
5032818-17	503281817	CARBURETTOR	WALBRO HDA 198A	1	

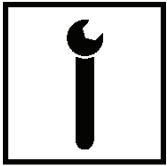
E

***compl 537 15 68-01 (359)**



REF.	PART NO.	DESCRIPTION	REMARK	QTY.	KIT
537 15 68-01	537156801	CRANKSHAFT ASSY	359	1	
738 22 02-25	738220225	BALL BEARING		1	
503 25 56-01	503255601	NEEDLE BEARING		1	

Q



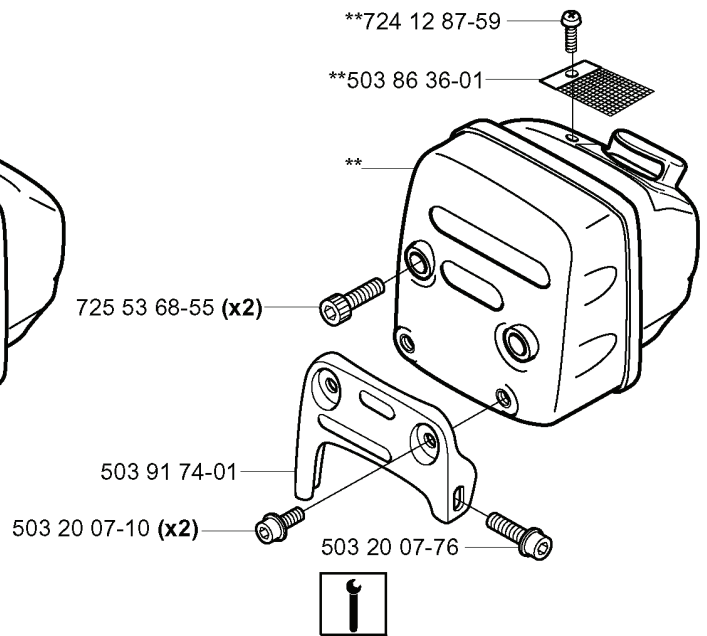
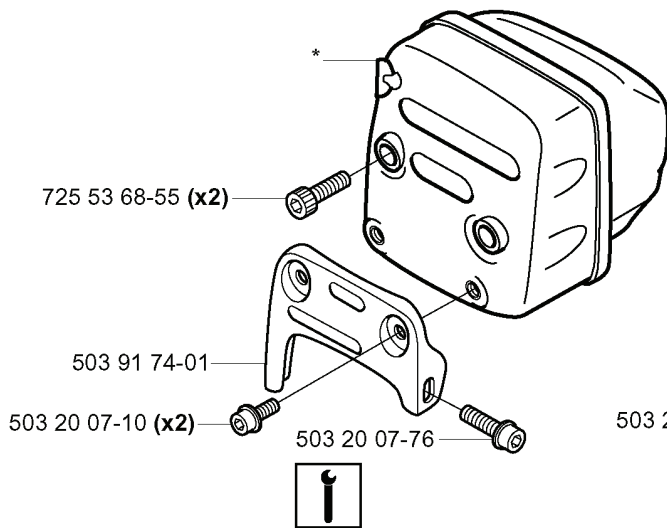
Up to 043900001 (357XP)
Up to 043900001 (359)

503 88 63-01



REF.	PART NO.	DESCRIPTION	REMARK	QTY.	KIT
5038863-01	503886301	PIN		1	

F *compl 503 91 76-01 (EU)
**compl 503 91 75-01 (FF)
**compl 537 10 22-01 (E-tech)

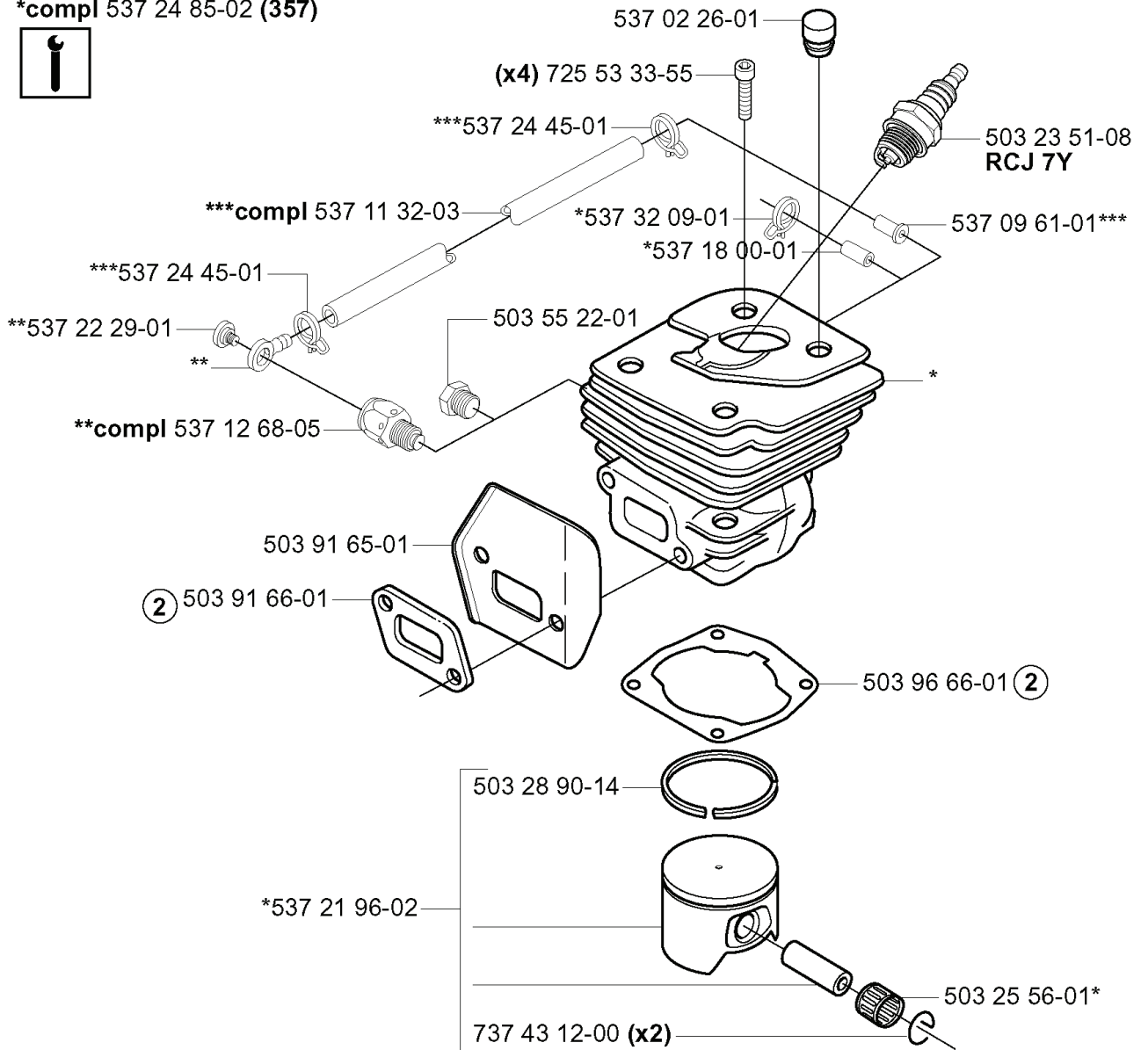


REF.	PART NO.	DESCRIPTION	REMARK	QTY.	KIT
5039176-01	503917601	MUFFLER PIPE	EU	1	
5039175-01	503917501	MUFFLER FF	FF	1	
5371022-01	537102201	MUFFLER CAT	E-TECH	1	
7255368-55	725536855	SCREW IHSCM		2	
5032007-76	503200776	SCREW IHSCFM		1	
5032007-10	503200710	SCREW IHSCFM		2	
5039174-01	503917401	SUPPORT LEG		1	
5038636-01	503863601	SPARK ARRESTER SCREEN		1	
7241287-59	724128759	SCREW CRPANM		1	

REF.	PART NO.	DESCRIPTION	REMARK	QTY.	KIT
537 15 93-02	537159302	HAND GUARD		1	
503 89 30-03	503893003	SCREW		1	
537 02 99-01	537029901	WEAR PROTECTION		1	
503 22 00-01	503220001	HEXAGON NUT		2	
537 37 04-01	537370401	LABEL		1	
503 85 66-01	503856601	COVER PLATE		1	
503 23 00-71	503230071	WASHER		1	
503 89 29-01	503892901	PIN		1	
735 31 08-20	735310820	E-CLIP		1	
537 15 27-01	537152701	HEAT PROTECTOR		1	
503 21 70-10	503217010	SCREW CCRPANT		4	
537 08 90-01	537089001	WEAR PROTECTION		1	
537 10 80-01	537108001	HUB CAP		1	
503 85 52-01	503855201	GUIDE BUSHING		1	
537 10 78-01	537107801	CHAIN BRAKE		1	
537 04 30-01	537043001	BRAKE BAND ASSY		1	
503 46 59-01	503465901	BRAKE SPRING		1	
503 89 08-02	503890802	KNEE JOINT ASSY		1	

D

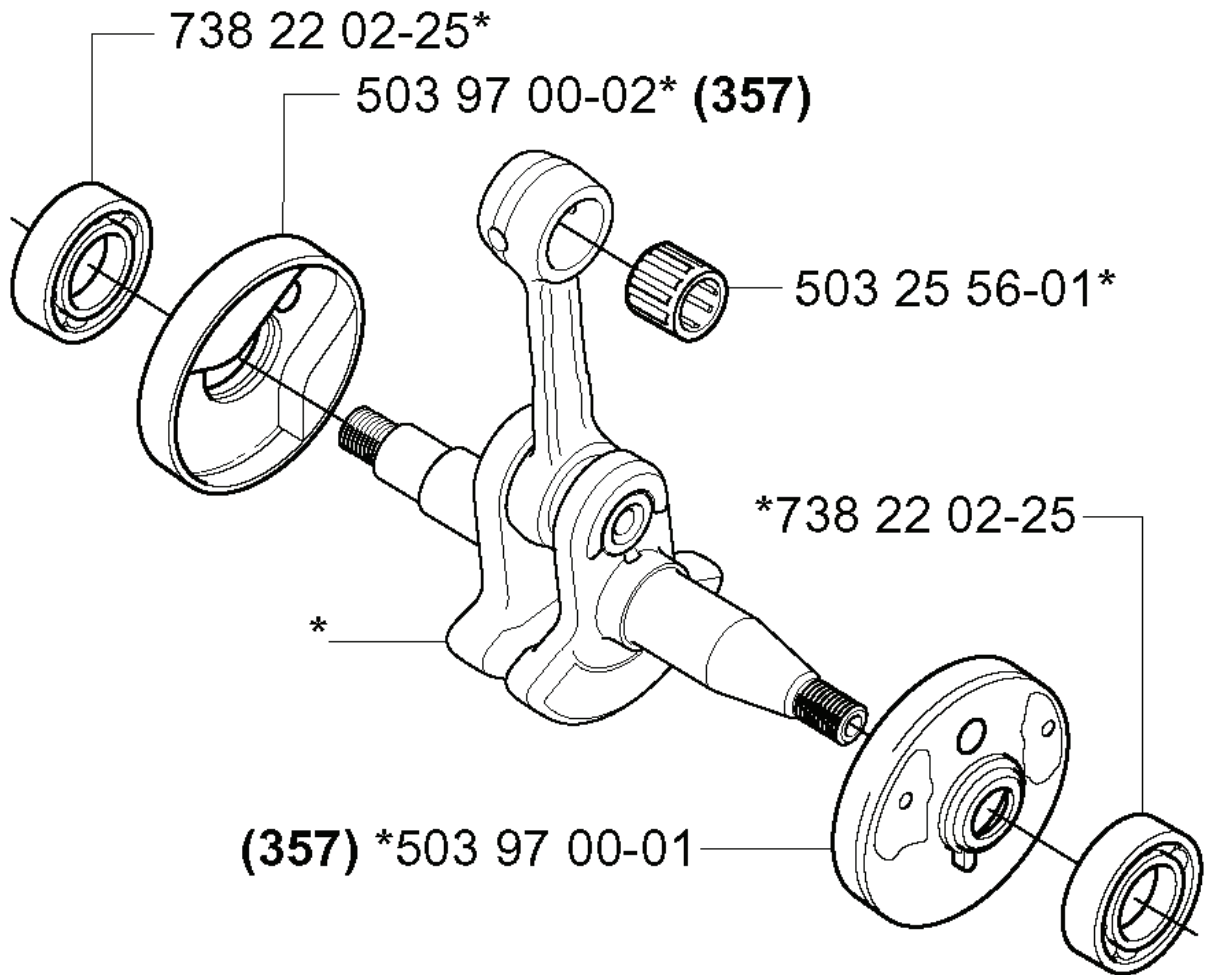
*compl 537 24 85-02 (357)



REF.	PART NO.	DESCRIPTION	REMARK	QTY.	KIT
537 24 85-02	537248502	CYLINDER ASSY	357	1	
537 02 26-01	537022601	SUPPORT		1	
725 53 33-55	725533355	SCREW IHSCM		4	
537 24 45-01	537244501	HOSE CLAMP		1	
537 11 32-03	537113203	HOSE ASSY		1	
537 22 29-01	537222901	SCREW		1	
537 12 68-05	537126805	NIPPLE		1	
503 91 65-01	503916501	HEAT DEFLECTOR		1	
503 91 66-01	503916601	GASKET		1	
503 28 90-14	503289014	PISTON RING		1	
537 21 96-02	537219602	PISTON ASSY		1	
737 43 12-00	737431200	SNAP RING		2	
503 25 56-01	503255601	NEEDLE BEARING		1	
503 96 66-01	503966601	GASKET		1	
503 55 22-01	503552201	PLUG		1	
537 18 00-01	537180001	PROTECTIVE CAP		1	
537 32 09-01	537320901	HOSE CLAMP		1	
537 09 61-01	537096101	VALVE SLEEVE		1	
503 23 51-08	503235108	SPARK PLUG	RCJ 7Y	1	

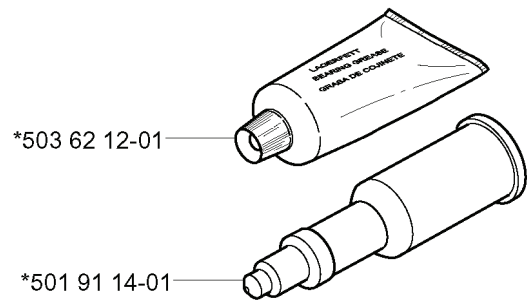
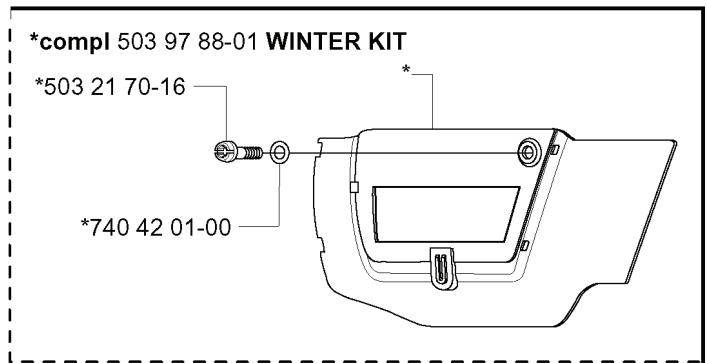
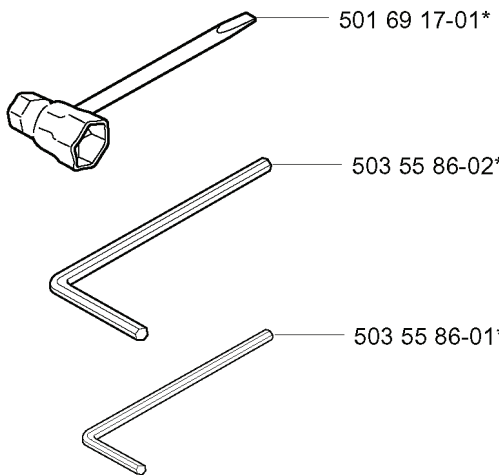
E

***compl 537 21 92-01 (357)**



REF.	PART NO.	DESCRIPTION	REMARK	QTY.	KIT
537 21 92-01	537219201	CRANKSHAFT ASSY	357	1	
503 97 00-02	503970002	CUP	357	1	
503 97 00-01	503970001	CUP	357	1	
738 22 02-25	738220225	BALL BEARING		1	
503 25 56-01	503255601	NEEDLE BEARING		1	

P Accessories
 Zubehöre
 Accessories
 Accesorios
 Tillbehör
 *compl 503 55 85-01



REF.	PART NO.	DESCRIPTION	REMARK	QTY.	KIT
5035585-01	503558501	TOOL		1	
5016917-01	501691701	COMBINATION WRENCH		1	
5035586-02	503558602	SPANNER		1	
5035586-01	503558601	SPANNER		1	
5019114-01	501911401	GREASE GUN		1	
5036212-01	503621201	GREASE		1	
7404201-00	740420100	O-RING		1	
5032170-16	503217016	SCREW CCRPANT		1	
5039788-01	503978801	WINTER COVER	WINTER KIT	1	