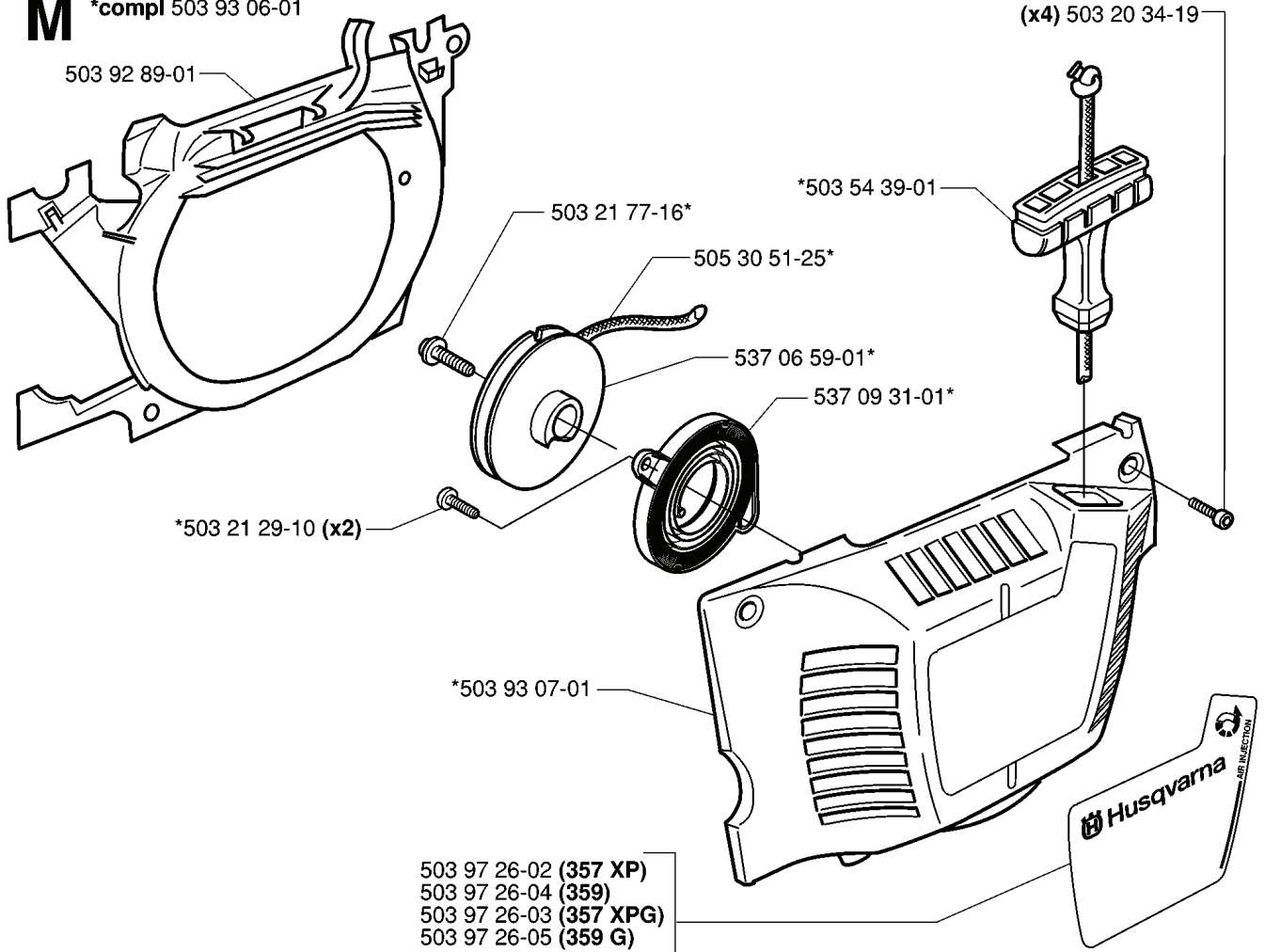


357 XP EPA, 20010100001-20014000000

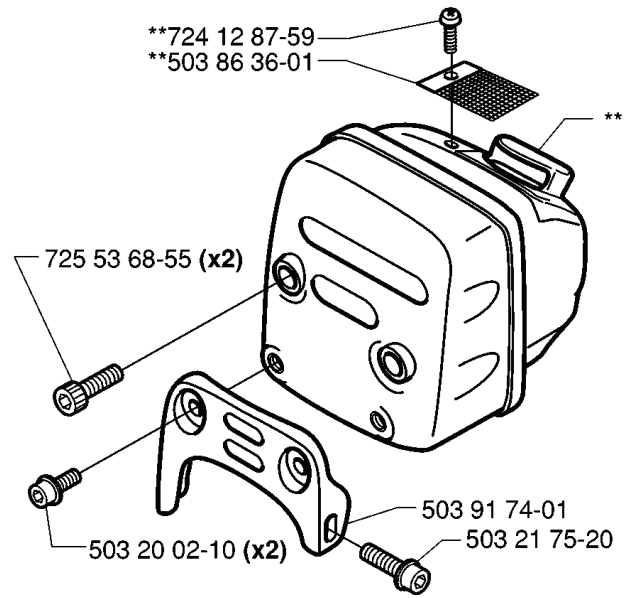
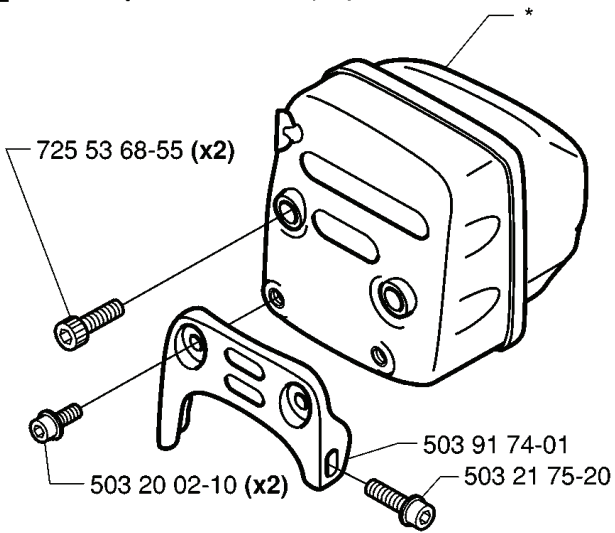
SPARE PARTS LIST

M *compl 503 93 06-01



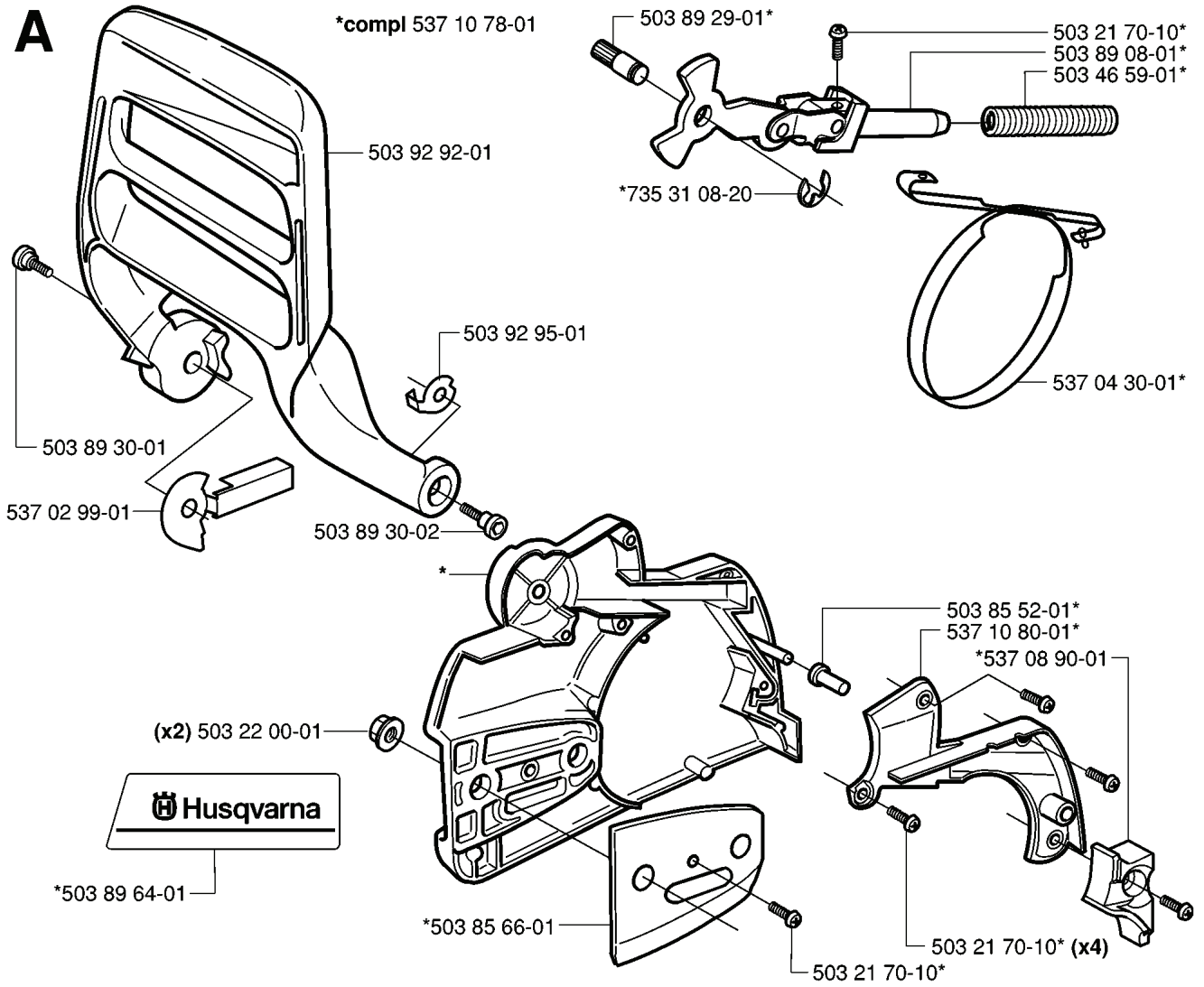
REF.	PART NO.	DESCRIPTION	REMARK	QTY.	KIT
5039306-01	503930601	STARTER		1	
5039289-01	503928901	AIR CONDUCTOR		1	
5032129-10	503212910	SCREW CCRPANT		2	
5039307-01	503930701	STARTER HOUSING		1	
5039726-02	503972602	LABEL	357 XP	1	
5039726-04	503972604	LABEL	359	1	
5039726-03	503972603	LABEL	357 XPG	1	
5039726-05	503972605	LABEL	359 G	1	
5370931-01	537093101	SPRING CASSETTE ASSY		1	
5370659-01	537065901	STARTER PULLEY		1	
5053051-25	505305125	STARTER ROPE		1	
5032177-16	503217716	SCREW IHST		1	
5035439-01	503543901	STARTER HANDLE		1	
5032034-19	503203419	SCREW CCRPANMO		4	

F *compl 503 91 76-01 (EU)
**compl 503 91 75-01 (FF)



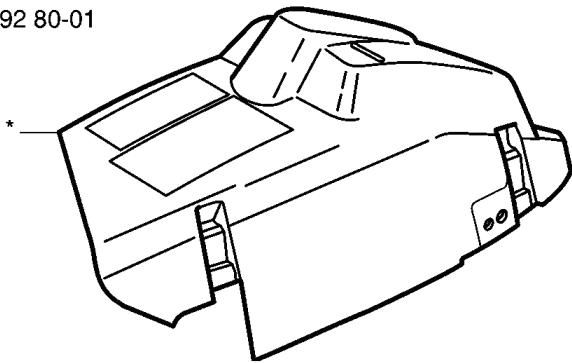
REF.	PART NO.	DESCRIPTION	REMARK	QTY.	KIT
5039176-01	503917601	MUFFLER PIPE	EU	1	
5039175-01	503917501	MUFFLER FF	FF	1	
5032002-10	503200210	SCREW IHSCFM		2	
5039174-01	503917401	SUPPORT LEG		1	
7255368-55	725536855	SCREW IHSCM		2	
5032175-20	503217520	SCREW IHSCFT		1	
5038636-01	503863601	SPARK ARRESTER SCREEN		1	
7241287-59	724128759	SCREW CRPANM		1	


A

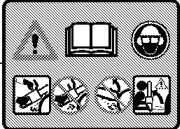


REF.	PART NO.	DESCRIPTION	REMARK	QTY.	KIT
537 10 78-01	537107801	CHAIN BRAKE		1	
503 92 92-01	503929201	HAND GUARD		1	
503 92 95-01	503929501	WEAR WASHER		1	
503 89 30-01	503893001	SCREW		1	
537 02 99-01	537029901	WEAR PROTECTION		1	
503 89 30-02	503893002	SCREW		1	
503 22 00-01	503220001	HEXAGON NUT		2	
503 89 64-01	503896401	LABEL		1	
503 85 66-01	503856601	COVER PLATE		1	
503 21 70-10	503217010	SCREW CCRPANT		4	
537 08 90-01	537089001	WEAR PROTECTION		1	
537 10 80-01	537108001	HUB CAP		1	
503 85 52-01	503855201	GUIDE BUSHING		1	
537 04 30-01	537043001	BRAKE BAND ASSY		1	
735 31 08-20	735310820	E-CLIP		1	
503 89 29-01	503892901	PIN		1	
503 46 59-01	503465901	BRAKE SPRING		1	
503 89 08-01	503890801	KNEE JOINT ASSY		1	

C *compl 503 92 80-01



*501 63 97-01 

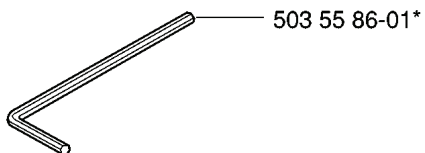
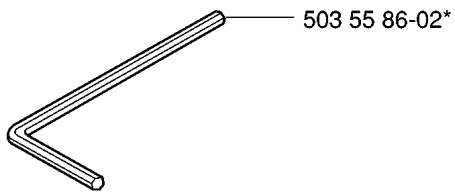
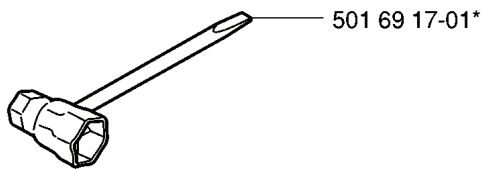
*503 98 74-01 

REF.	PART NO.	DESCRIPTION	REMARK	QTY.	KIT
5039280-01	503928001	CYLINDER COVER		1	
5039874-01	503987401	LABEL		1	
5016397-01	501639701	COVER		1	

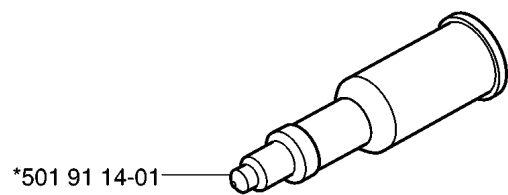
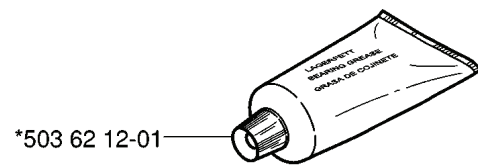
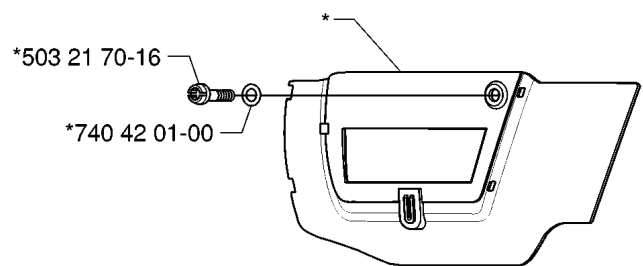
P

*compl 503 55 85-01

Accessories
Zubehöre
Accessories
Accesorios
Tillbehör

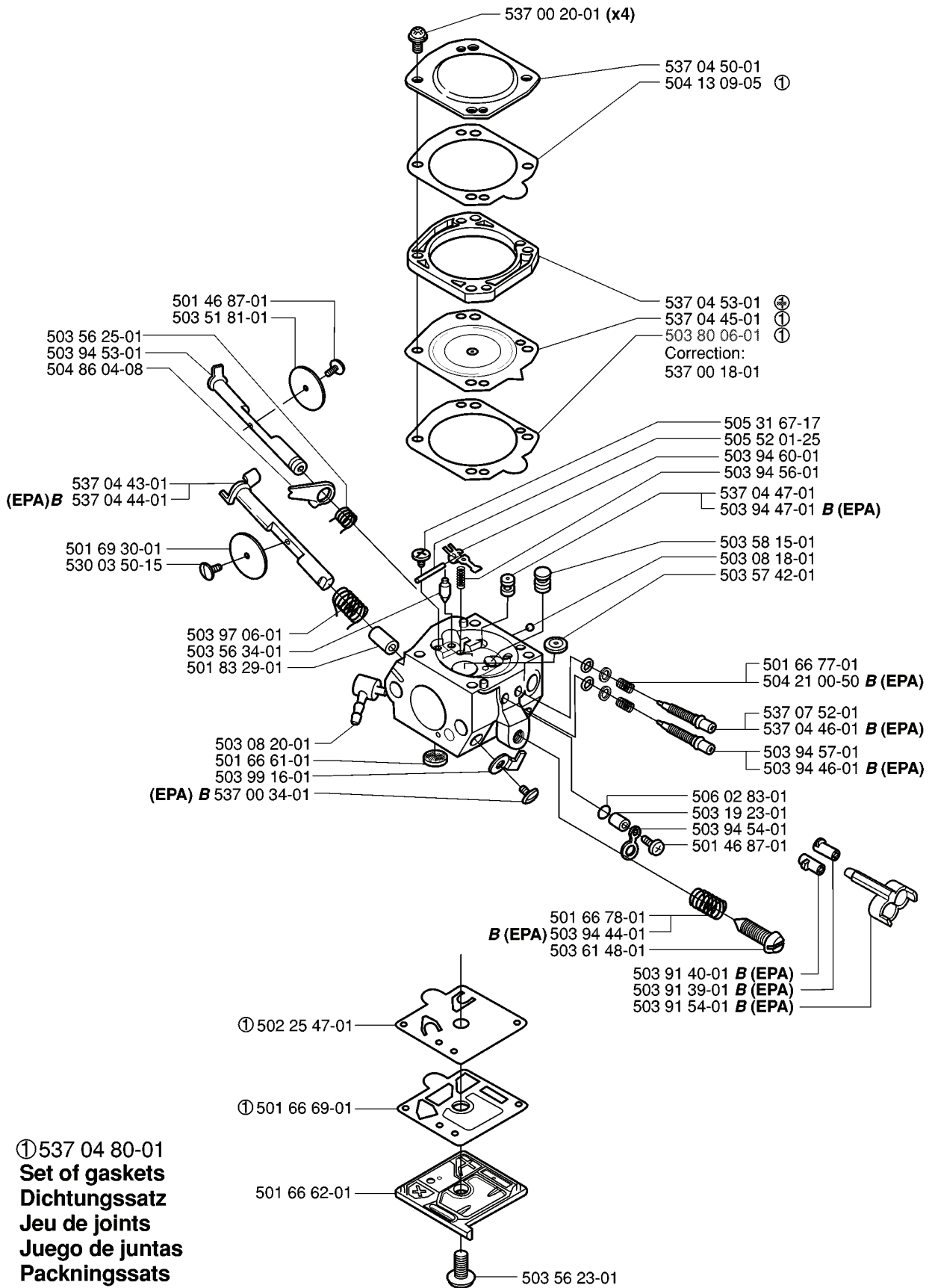


*compl 503 97 88-01 WINTER KIT



REF.	PART NO.	DESCRIPTION	REMARK	QTY.	KIT
5035585-01	503558501	TOOL		1	
5016917-01	501691701	COMBINATION WRENCH		1	
5035586-02	503558602	SPANNER		1	
5035586-01	503558601	SPANNER		1	
5019114-01	501911401	GREASE GUN		1	
5036212-01	503621201	GREASE		1	
7404201-00	740420100	O-RING		1	
5032170-16	503217016	SCREW CCRPANT		1	
5039788-01	503978801	WINTER COVER	WINTER KIT	1	

N A compl 503 28 16-15 Walbro HDA 174 357,359
B compl 503 28 16-16 Walbro HDA 175 357,359 (EPA)

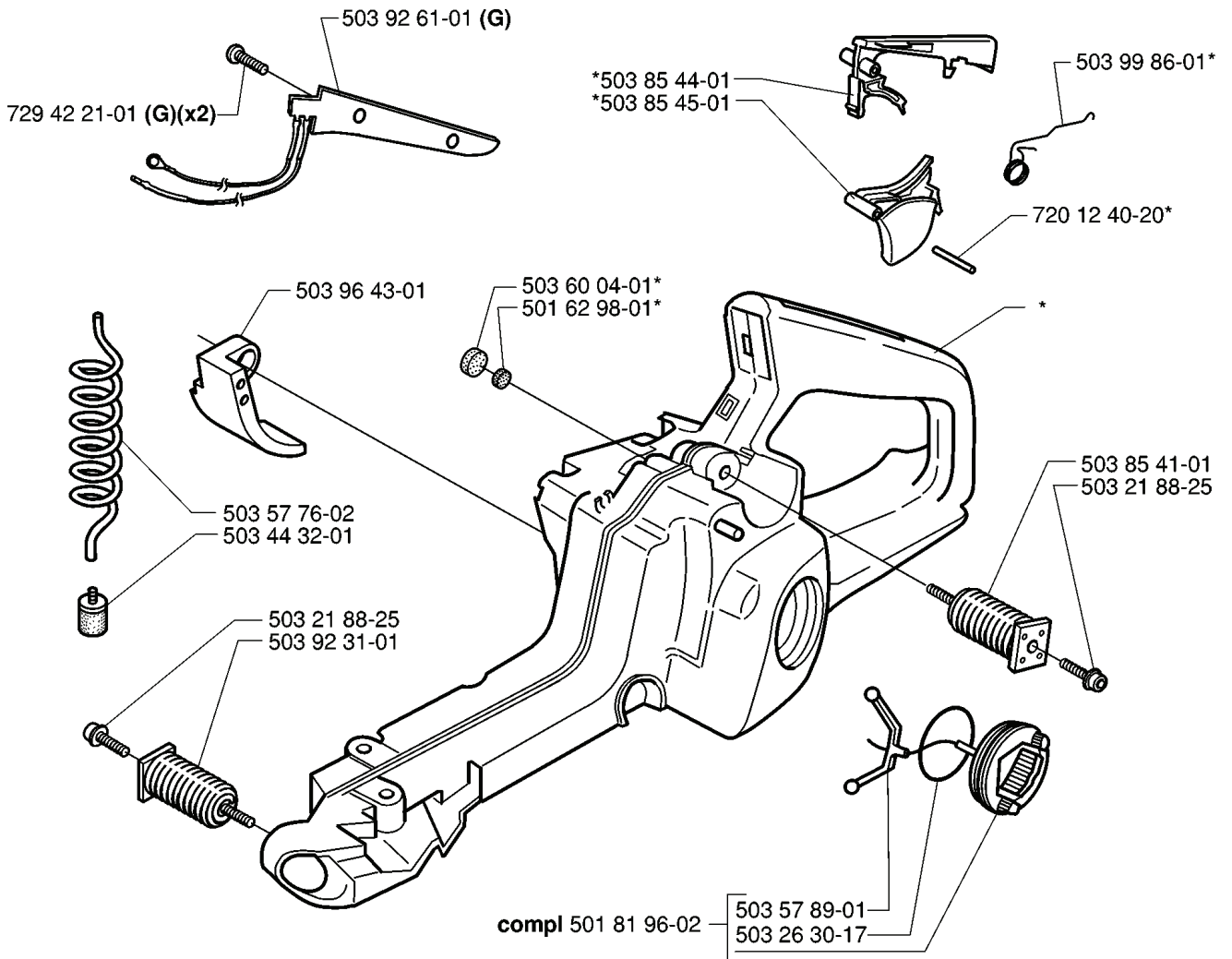


REF.	PART NO.	DESCRIPTION	REMARK	QTY.	KIT
503 28 16-15	503281615	CARBURETTOR	WALBRO HDA 174 357.359	1	
503 28 16-16	503281616	CARBURETTOR	WALBRO HDA 175 357.359 (EPA)	1	
501 46 87-01	501468701	SCREW		1	
503 51 81-01	503518101	VALVE THROTTLE		1	
503 56 25-01	503562501	SPRING		1	
503 94 53-01	503945301	SHAFT ASSY		1	
504 86 04-08	504860408	LEVER		1	
537 04 43-01	537044301	SHAFT ASSY		1	
537 04 44-01	537044401	SHAFT ASSY	(EPA) B	1	
501 69 30-01	501693001	VALVE		1	
530 03 50-15	530035015	SCREW		1	
503 97 06-01	503970601	SPRING		1	
503 56 34-01	503563401	NEEDLE VALVE		1	
501 83 29-01	501832901	BUSHING		1	
503 08 20-01	503082001	FITTING		1	
501 66 61-01	501666101	SCREEN		1	
503 99 16-01	503991601	LEVER		1	
537 00 34-01	537003401	SCREW	(EPA) B	1	
502 25 47-01	502254701	DIAPHRAGM PUMP	537 04 80-01 SET OF GASKETS	1	
501 66 69-01	501666901	GASKET	537 04 80-01 SET OF GASKETS	1	
501 66 62-01	501666201	COVER		1	
503 56 23-01	503562301	SCREW		1	
503 91 54-01	503915401	RETAINER	B (EPA)	1	
503 91 39-01	503913901	LIMITER CAP	B (EPA)	1	
503 91 40-01	503914001	LIMITER CAP	B (EPA)	1	
503 61 48-01	503614801	SCREW		1	
503 94 44-01	503944401	SPRING	B (EPA)	1	
501 66 78-01	501667801	SPRING		1	
503 94 54-01	503945401	LEVER		1	
503 19 23-01	503192301	SPACER-SHAFT-CHOKE		1	
506 02 83-01	506028301	WASHER		1	
503 94 46-01	503944601	NEEDLE	B (EPA)	1	
503 94 57-01	503945701	NEEDLE		1	
537 04 46-01	537044601	NEEDLE HIGH SPEED	B (EPA)	1	
537 07 52-01	537075201	NEEDLE		1	
504 21 00-50	504210050	SPRING	B (EPA)	1	
501 66 77-01	501667701	SPRING		1	
503 57 42-01	503574201	PLUG		1	
503 08 18-01	503081801	PLUG		1	
503 58 15-01	503581501	NOZZLE ASSY		1	
503 94 47-01	503944701	JET	B (EPA)	1	

REF.	PART NO.	DESCRIPTION	REMARK	QTY.	KIT
537 04 47-01	537044701	JET		1	
503 94 56-01	503945601	SPRING		1	
503 94 60-01	503946001	LEVER		1	
505 52 01-25	505520125	PIN		1	
505 31 67-17	505316717	SCREW		1	
537 00 18-01	537001801	GASKET	CORRECTION:	1	
503 80 06-01	503800601	GASKET	537 04 80-01 SET OF GASKETS	1	
537 04 45-01	537044501	DIAPHRAGM	537 04 80-01 SET OF GASKETS	1	
537 04 53-01	537045301	PLATE		1	
504 13 09-05	504130905	GASKET	537 04 80-01 SET OF GASKETS	1	
537 04 50-01	537045001	COVER		1	
537 00 20-01	537002001	SCREW		4	

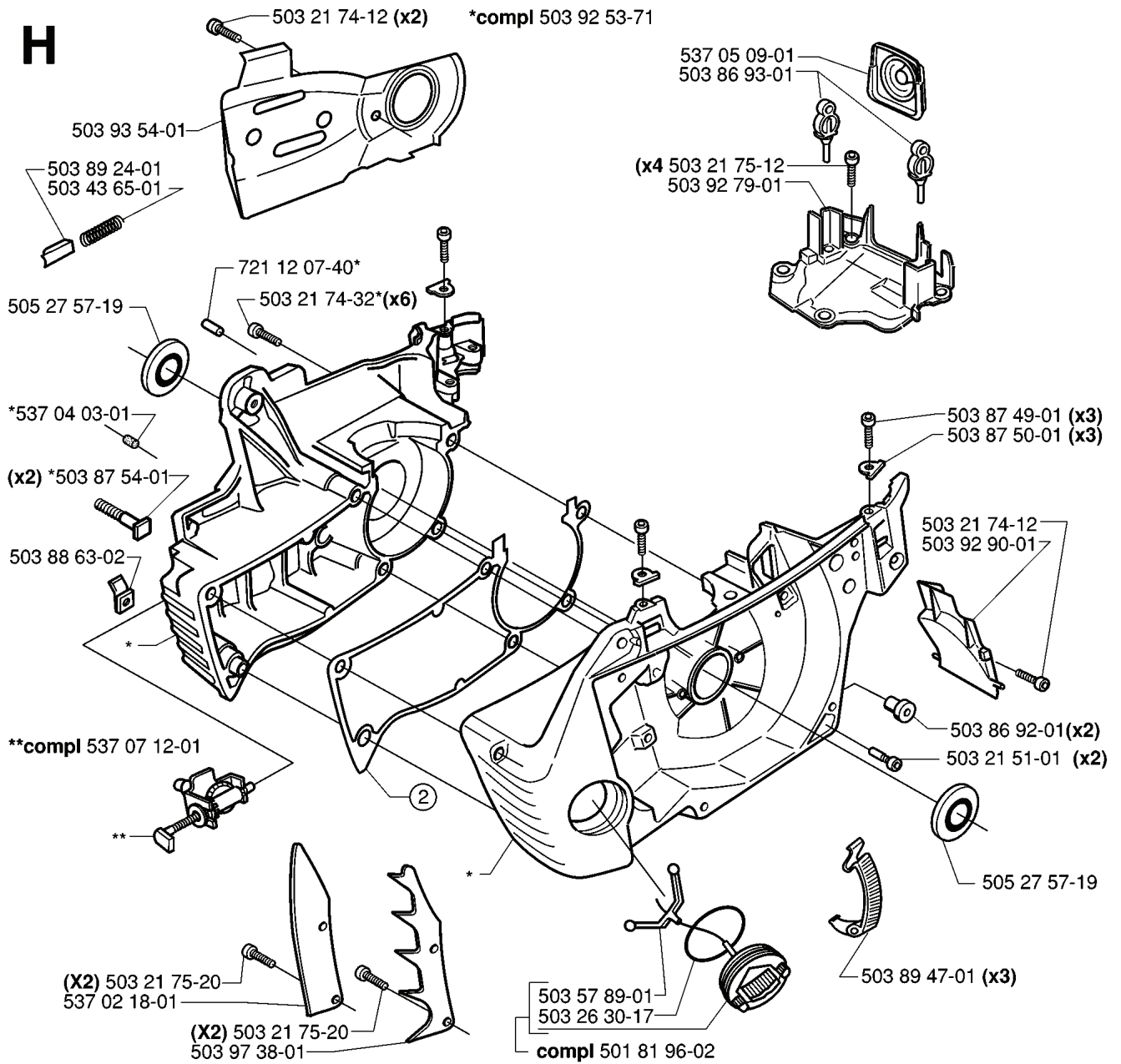
J

*compl 503 92 30-71



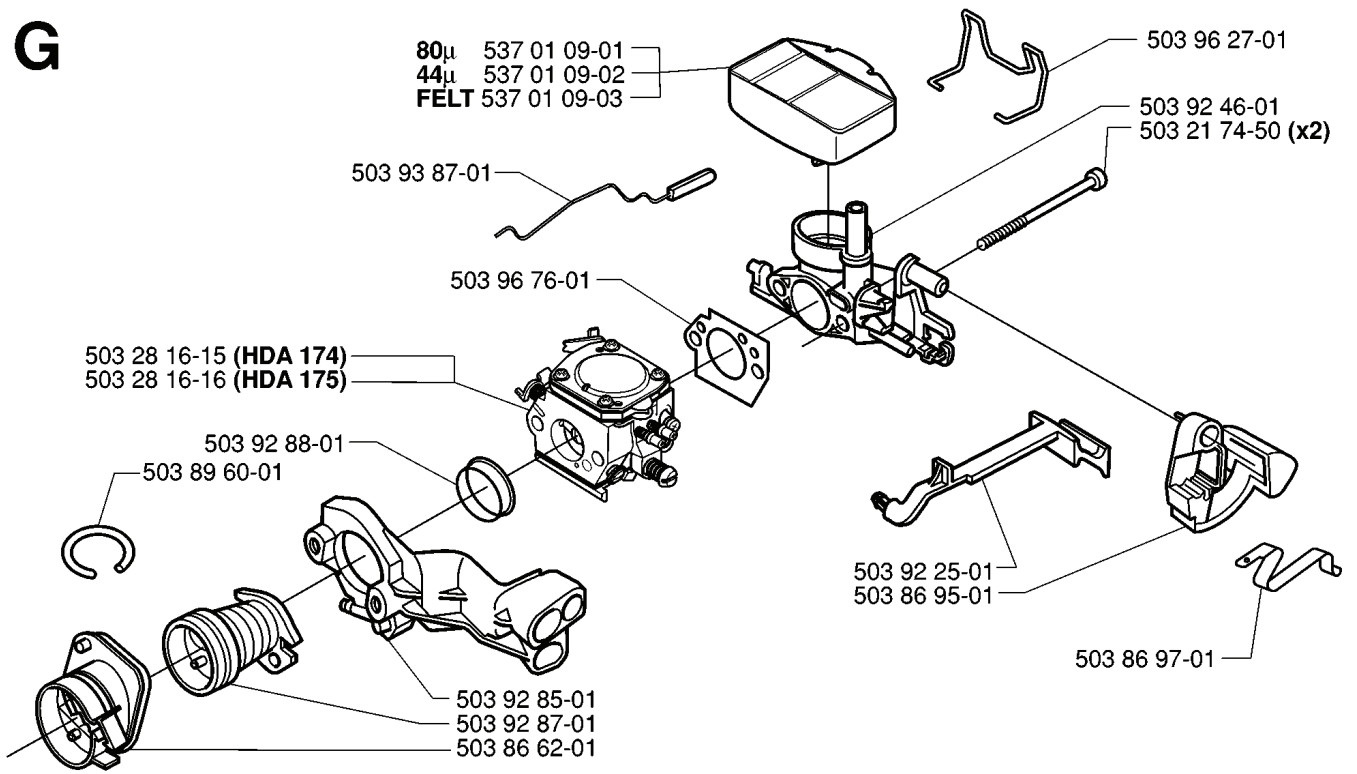
REF.	PART NO.	DESCRIPTION	REMARK	QTY.	KIT
503 92 30-71	503923071	FUEL TANK		1	
729 42 21-01	729422101	SCREW SLCSRT	G	2	
503 92 31-01	503923101	ANTIVIBRATION ELEMENT		1	
503 21 88-25	503218825	SCREW IHSCFT		1	
503 44 32-01	503443201	FUEL FILTER		1	
503 57 76-02	503577602	FUEL HOSE		1	
503 96 43-01	503964301	WEAR PROTECTION		1	
503 92 61-01	503926101	HEATING PLATE	G	1	
503 85 44-01	503854401	THROTTLE LOCKOUT		1	
503 85 45-01	503854501	TRIGGER		1	
503 60 04-01	503600401	FILTER PLUG		1	
501 62 98-01	501629801	VALVE PLUG		1	
501 81 96-02	501819602	TANK CAP ASSY		1	
503 26 30-17	503263017	O-RING		1	
503 57 89-01	503578901	HOLDER		1	
503 85 41-01	503854101	ANTIVIBRATION ELEMENT		1	
720 12 40-20	720124020	PARALLEL PIN		1	
503 99 86-01	503998601	RECOIL SPRING		1	

H



REF.	PART NO.	DESCRIPTION	REMARK	QTY.	KIT
5039354-01	503935401	CHAIN GUIDE PLATE		1	
5038924-01	503892401	LOCK		1	
5034365-01	503436501	POSITION SPRING		1	
5370403-01	537040301	VALVE		1	
5038754-01	503875401	BAR BOLT		2	
5038863-02	503886302	CHAIN CATCHER PIN		1	
5370712-01	537071201	CHAIN TENSIONER		1	
5032175-20	503217520	SCREW IHSCFT		2	
5370218-01	537021801	BUMPER		1	
5039738-01	503973801	SPIKE		1	
5032174-32	503217432	SCREW IHSCFT		6	
7211207-40	721120740	GROOVED PIN		1	
5039253-71	503925371	CRANKCASE ASSY		1	
5370509-01	537050901	BELLOWS		1	
5038693-01	503869301	SUPPORT		1	
5032175-12	503217512	SCREW IHSCFT		4	
5039279-01	503927901	CARBURETTOR		1	
5035789-01	503578901	HOLDER		1	
5032630-17	503263017	O-RING		1	
5018196-02	501819602	TANK CAP ASSY		1	
5038947-01	503894701	SNAP LOCKING		3	
5052757-19	505275719	SEALING RING		1	
5032151-01	503215101	SCREW IHSCFT		2	
5038692-01	503869201	BUSHING		2	
5039290-01	503929001	JET		1	
5032174-12	503217412	SCREW IHSCFT		1	
5038750-01	503875001	WEAR PROTECTION		3	
5038749-01	503874901	GUIDE SCREW		3	

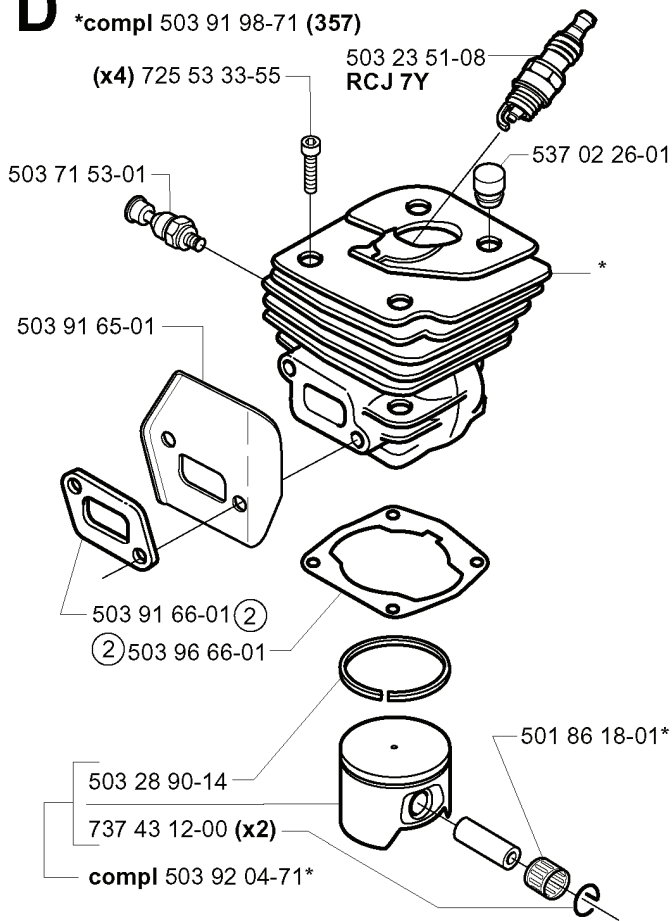
G



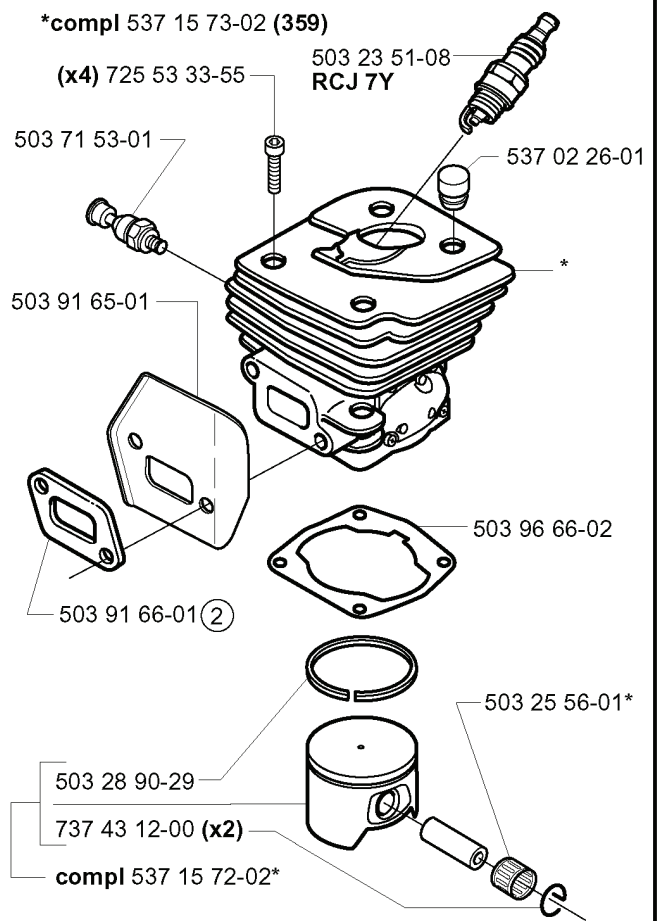
REF.	PART NO.	DESCRIPTION	REMARK	QTY.	KIT
537 01 09-01	537010901	AIR FILTER		1	
537 01 09-02	537010902	AIR FILTER		1	
537 01 09-03	537010903	AIR FILTER	FELT	1	
503 93 87-01	503938701	THROTTLE WIRE		1	
503 96 76-01	503967601	GASKET		1	
503 28 16-15	503281615	CARBURETTOR	HDA 174	1	
503 28 16-16	503281616	CARBURETTOR	HDA 175	1	
503 92 88-01	503928801	RING		1	
503 89 60-01	503896001	IMPULSE HOSE		1	
503 92 85-01	503928501	FLANGE		1	
503 92 87-01	503928701	BELLOWS		1	
503 86 62-01	503866201	INSULATION WALL		1	
503 86 95-01	503869501	STOP CONTROL		1	
503 92 25-01	503922501	CHOKE CONTROL		1	
503 86 97-01	503869701	SHORT CIRCUIT SPRING		1	
503 21 74-50	503217450	SCREW IHST		2	
503 92 46-01	503924601	INLET BEND		1	
503 96 27-01	503962701	CLAMP		1	

D

***compl 503 91 98-71 (357)**

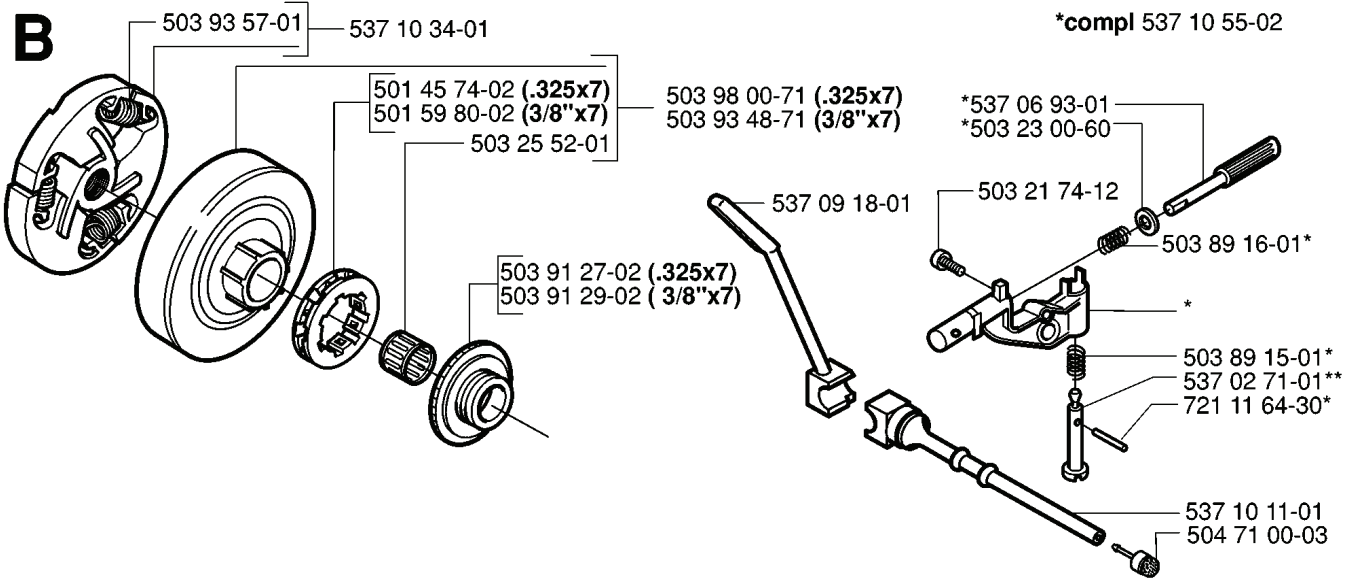


***compl 537 15 73-02 (359)**



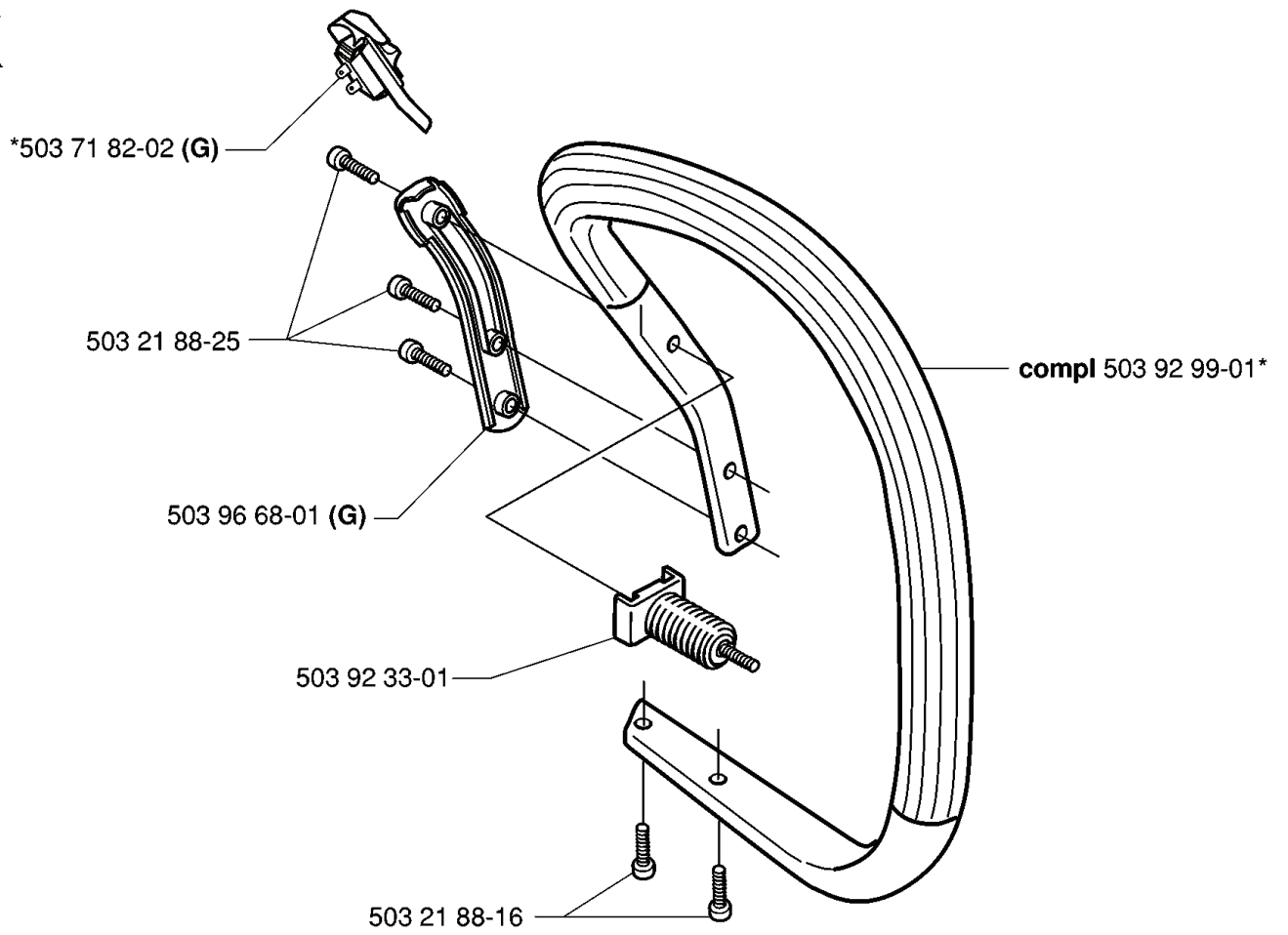
REF.	PART NO.	DESCRIPTION	REMARK	QTY.	KIT
5039198-71	503919871	CYLINDER ASSY	357	1	
5032556-01	503255601	NEEDLE BEARING		1	
7255333-55	725533355	SCREW IHSCM		4	
5037153-01	503715301	DECOMPRESSION VALVE		1	
5039165-01	503916501	HEAT DEFLECTOR		1	
5032890-29	503289029	PISTON RING		1	
5039166-01	503916601	GASKET		1	
5039666-01	503966601	GASKET		1	
5032890-14	503289014	PISTON RING		1	
7374312-00	737431200	SNAP RING		2	
5039204-71	503920471	PISTON ASSY		1	
5018618-01	501861801	NEEDLE BEARING		1	
5039666-02	503966602	GASKET		1	
5370226-01	537022601	SUPPORT		1	
5032351-08	503235108	SPARK PLUG	RCJ 7Y	1	
5371572-02	537157202	PISTON ASSY		1	
5371573-02	537157302	CYLINDER ASSY		1	
9150398-71	503919871	CYLINDER ASSY	357	1	

B



REF.	PART NO.	DESCRIPTION	REMARK	QTY.	KIT
5039357-01	503935701	CLUTCH SPRING		1	
5371034-01	537103401	CLUTCH ASSY		1	
5014574-02	501457402	RIM	.325	7	
5015980-02	501598002	RIM	3/8	7	
5032552-01	503255201	NEEDLE BEARING		1	
5039127-02	503912702	PUMP PINION	.325	7	
5039129-02	503912902	PUMP PINION	3/8	7	
5370918-01	537091801	OIL PRESSURE HOSE		1	
5039348-71	503934871	CLUTCH DRUM ASSY	3/8	7	
5039800-71	503980071	CLUTCH DRUM	.325	7	
5370693-01	537069301	PUMP PISTON		1	
5032300-60	503230060	WASHER		1	
5032174-12	503217412	SCREW IHSCT		1	
5047100-03	504710003	OIL PLUMMET		1	
5371011-01	537101101	OIL HOSE		1	
7211164-30	721116430	GROOVED PIN		1	
5370271-01	537027101	ADJUSTER		1	
5038915-01	503891501	SPRING		1	
5038916-01	503891601	SPRING		1	
5371055-02	537105502	OIL PUMP		1	

K

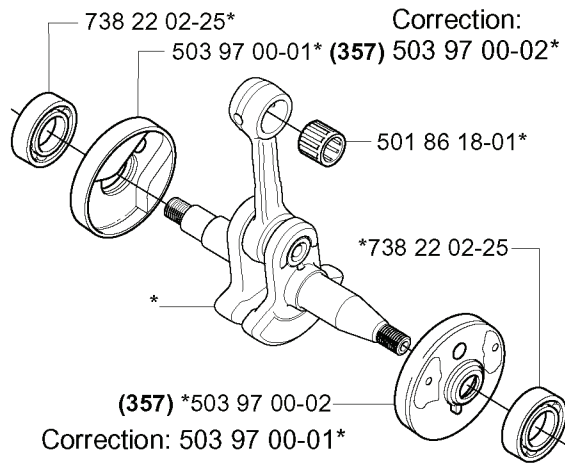


REF.	PART NO.	DESCRIPTION	REMARK	QTY.	KIT
5037182-02	503718202	SWITCH	G	1	
5032188-25	503218825	SCREW IHSCFT		1	
5039668-01	503966801	COVER	G	1	
5039233-01	503923301	ANTIVIBRATION ELEMENT		1	
5032188-16	503218816	SCREW IHSCFT		1	
5039299-01	503929901	HANDLE		1	

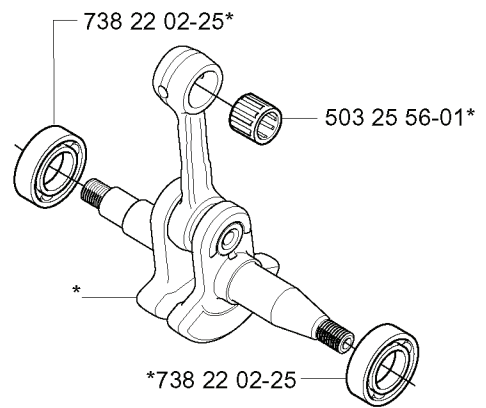
E

***compl 503 93 31-71 (357)**

Correction:

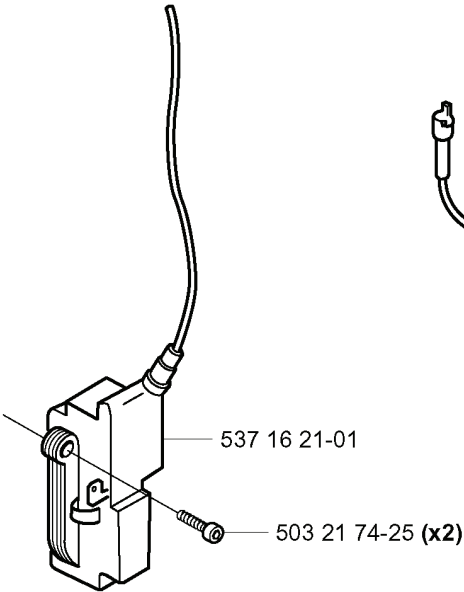
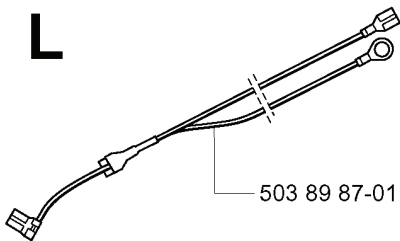


***compl 537 15 68-01 (359)**

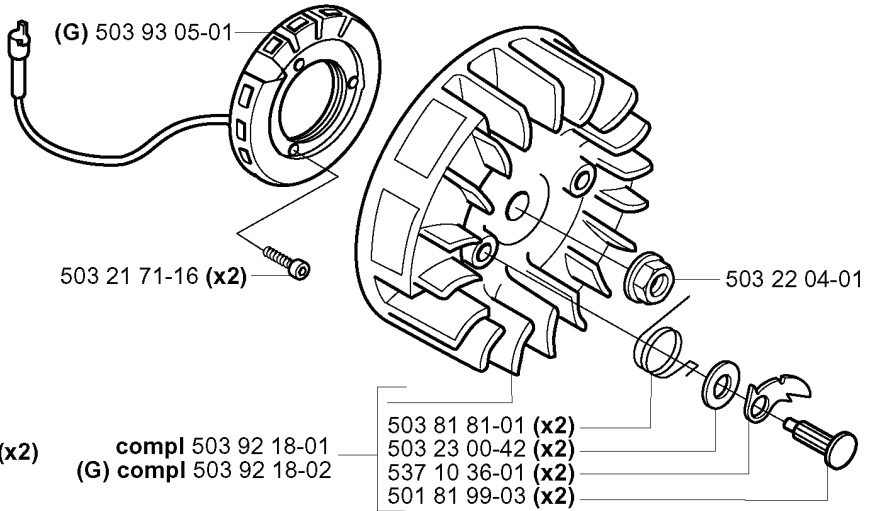
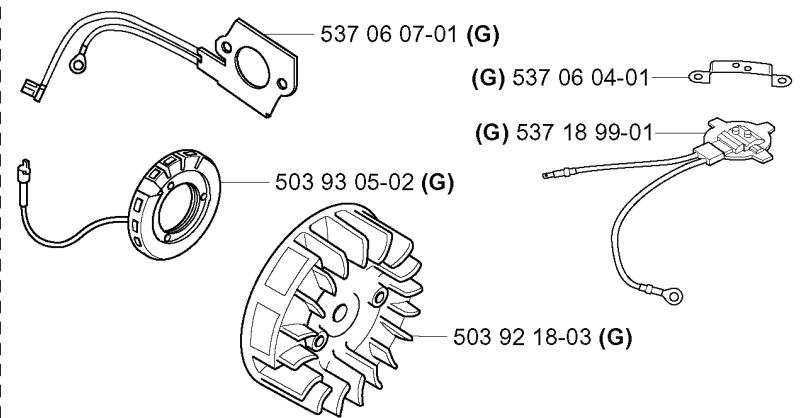


REF.	PART NO.	DESCRIPTION	REMARK	QTY.	KIT
503 25 56-01	503255601	NEEDLE BEARING		1	
503 93 31-71	503933171	CRANKSHAFT	357	1	
503 97 00-01	503970001	CUP	357	1	
537 15 68-01	537156801	CRANKSHAFT ASSY		1	
503 97 00-02	503970002	CUP	CORRECTION:	1	
738 22 02-25	738220225	BALL BEARING		1	
501 86 18-01	501861801	NEEDLE BEARING		1	

L



Heated carburettor



REF.	PART NO.	DESCRIPTION	REMARK	QTY.	KIT
503 89 87-01	503898701	WIRING ASSY		1	
501 48 54-02	501485402	SPARK PLUG CAP		1	
503 96 24-06	503962406	ELECTRONIC MODULE		1	
503 21 74-25	503217425	SCREW IHSCT		2	
503 92 18-02	503921802	FLYWHEEL	G	1	
503 92 18-01	503921801	FLYWHEEL		1	
503 21 71-16	503217116	SCREW IHSCT		2	
503 93 05-01	503930501	GENERATOR STATOR	G	1	
537 06 07-01	537060701	FOIL ELEMENT		1	
503 93 05-02	503930502	GENERATOR STATOR	G	1	
503 92 18-03	503921803	FLYWHEEL	G	1	
503 81 81-01	503818101	SPRING		2	
503 23 00-42	503230042	WASHER		2	
537 10 36-01	537103601	STARTER PAWL		2	
501 81 99-03	501819903	SCREW		2	
537 16 21-01	537162101	IGNITION SYSTEM		1	
503 22 04-01	503220401	NUT		1	
537 06 06-01	537060601	THERMOSTAT	G	1	
537 18 990-01	537189901	THERMOSTAT ASSY		1	
537 06 04-01	537060401	RETAINER	G	1	