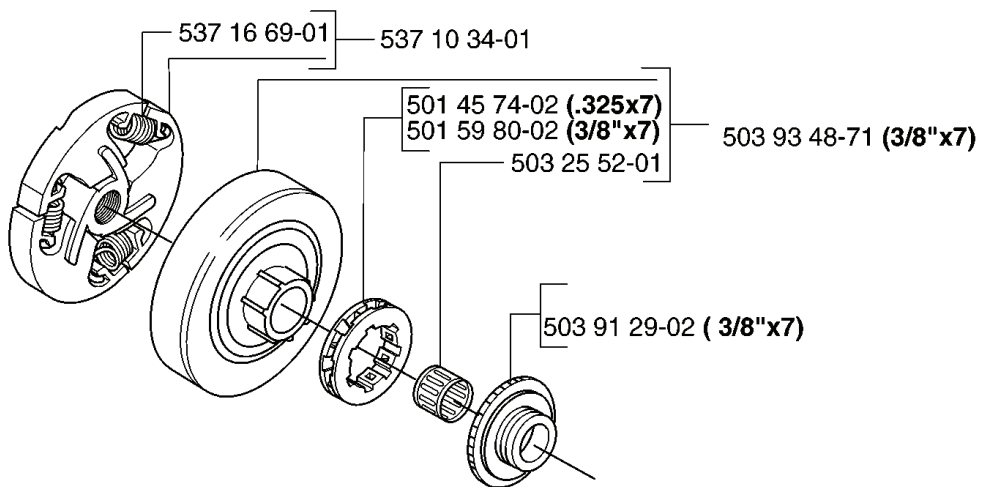
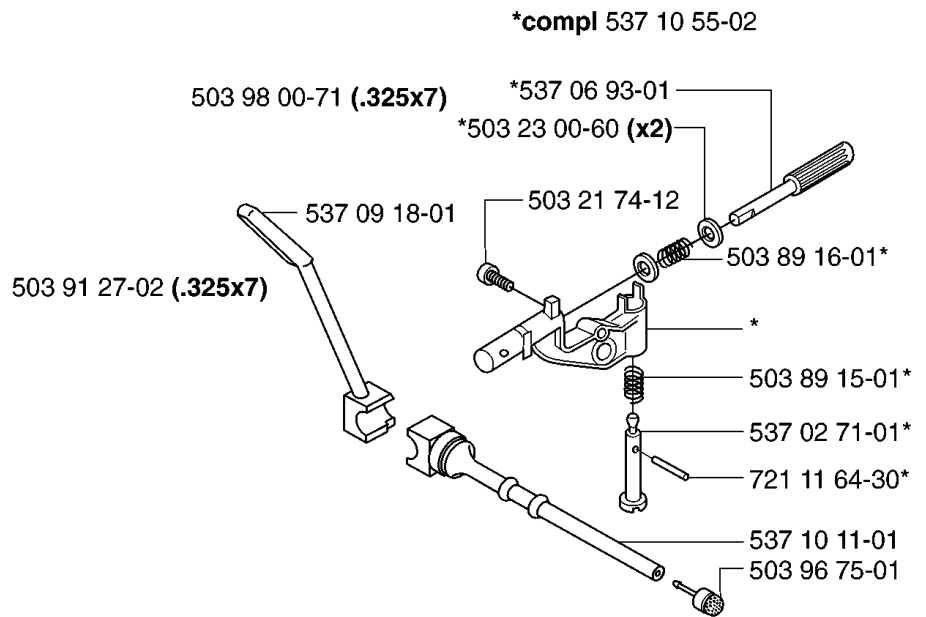


359 EPA, 20070900001-Current

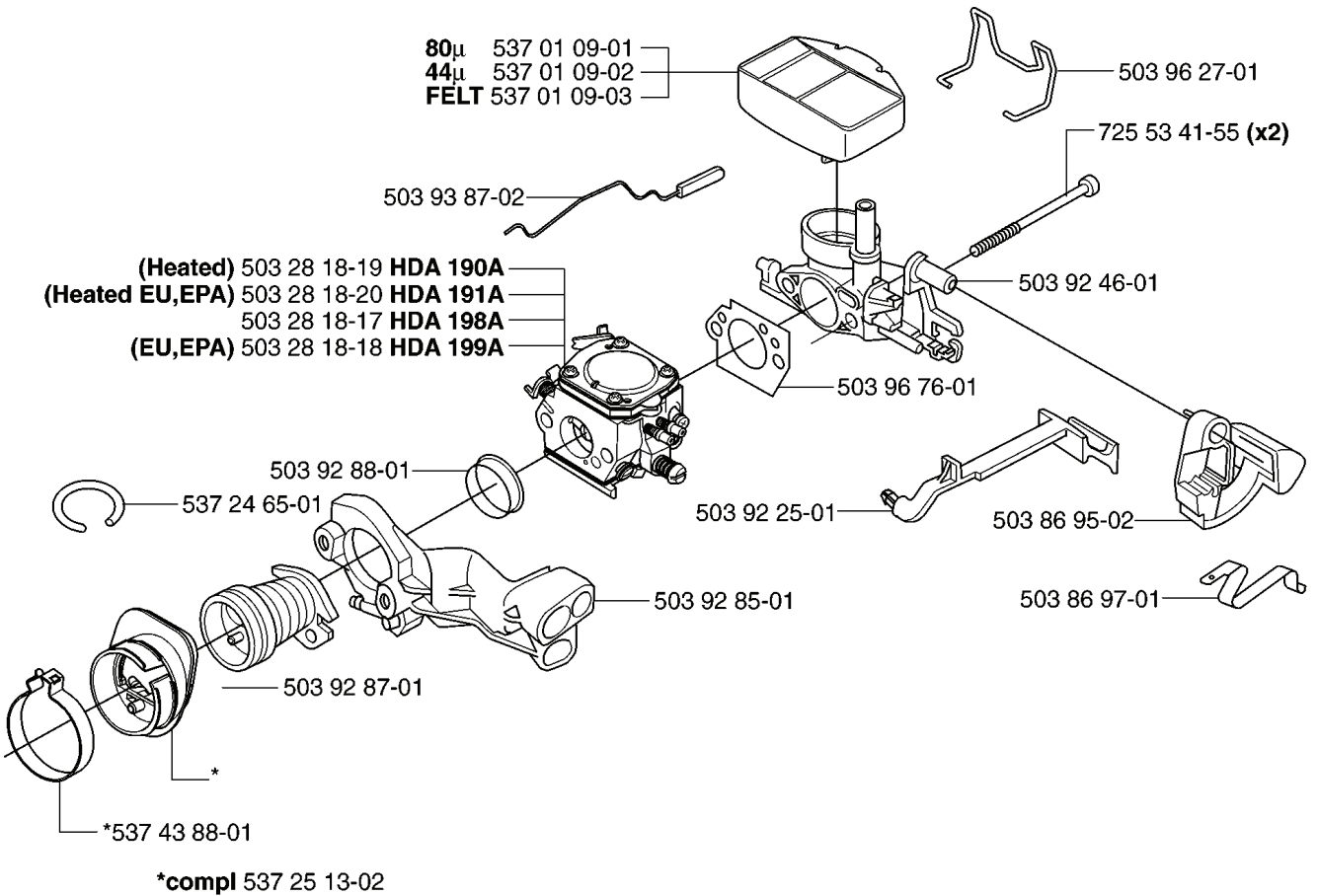
SPARE PARTS LIST

B



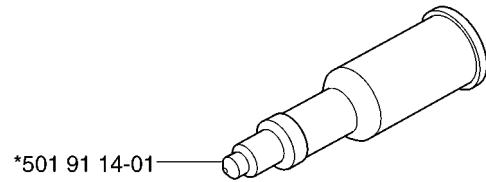
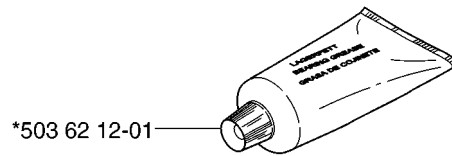
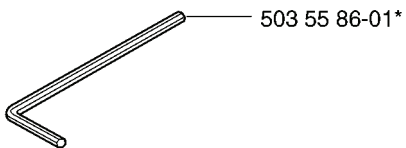
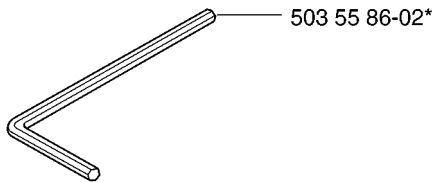
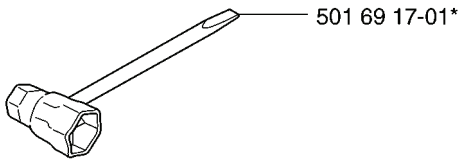
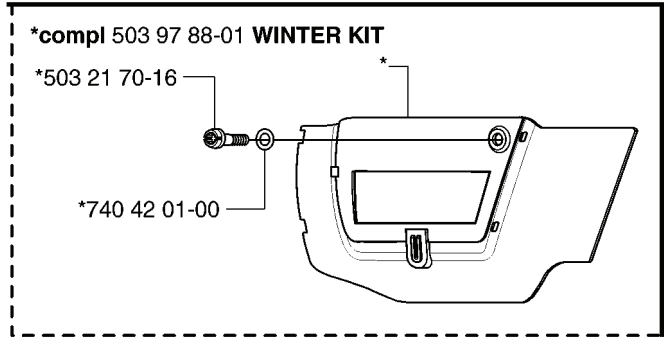
| REF. | PART NO. | DESCRIPTION | REMARK | QTY. | KIT |
|------------|-----------|-------------------|--------|------|-----|
| 5039800-71 | 503980071 | CLUTCH DRUM | | 1 | |
| 5039127-02 | 503912702 | PUMP PINION | | 1 | |
| 5370918-01 | 537091801 | OIL PRESSURE HOSE | | 1 | |
| 5371669-01 | 537166901 | CLUTCH SPRING | | 1 | |
| 5371034-01 | 537103401 | CLUTCH ASSY | | 1 | |
| 5014574-02 | 501457402 | RIM | | 1 | |
| 5015980-02 | 501598002 | RIM | | 1 | |
| 5032552-01 | 503255201 | NEEDLE BEARING | | 1 | |
| 5039129-02 | 503912902 | PUMP PINION | | 1 | |
| 5039348-71 | 503934871 | CLUTCH DRUM ASSY | | 1 | |
| 5039675-01 | 503967501 | OIL PLUMMET | | 1 | |
| 5371011-01 | 537101101 | OIL HOSE | | 1 | |
| 7211164-30 | 721116430 | GROOVED PIN | | 1 | |
| 5370271-01 | 537027101 | ADJUSTER | | 1 | |
| 5038915-01 | 503891501 | SPRING | | 1 | |
| 5038916-01 | 503891601 | SPRING | | 1 | |
| 5032174-12 | 503217412 | SCREW IHSCT | | 1 | |
| 5032300-60 | 503230060 | WASHER | | 2 | |
| 5370693-01 | 537069301 | PUMP PISTON | | 1 | |
| 5371055-02 | 537105502 | OIL PUMP | | 1 | |

G



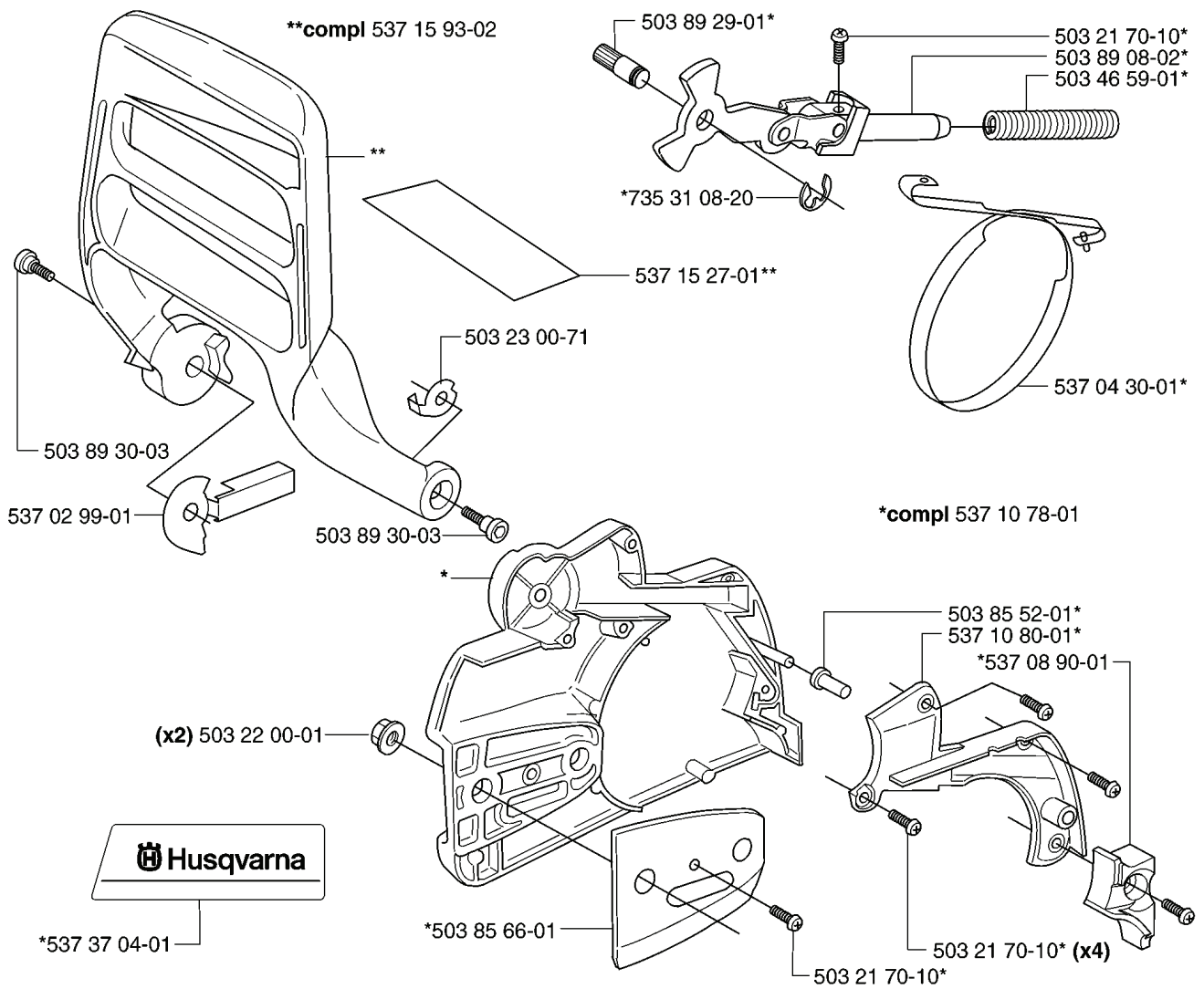
| REF. | PART NO. | DESCRIPTION | REMARK | QTY. | KIT |
|--------------|-----------|----------------------|--------|------|-----|
| 537 01 09-01 | 537010901 | AIR FILTER | | 1 | |
| 537 01 09-02 | 537010902 | AIR FILTER | | 1 | |
| 537 01 09-03 | 537010903 | AIR FILTER | | 1 | |
| 503 93 87-02 | 503938702 | WIRE | | 1 | |
| 503 28 18-19 | 503281819 | CARBURETTOR | | 1 | |
| 503 28 18-20 | 503281820 | CARBURETTOR | | 1 | |
| 503 28 18-17 | 503281817 | CARBURETTOR | | 1 | |
| 503 28 18-18 | 503281818 | CARBURETTOR | | 1 | |
| 503 92 88-01 | 503928801 | RING | | 1 | |
| 537 24 65-01 | 537246501 | IMPULSE HOSE | | 1 | |
| 503 92 87-01 | 503928701 | BELLOWS | | 1 | |
| 537 43 88-01 | 537438801 | CLIP | | 1 | |
| 537 25 13-02 | 537251302 | INSULATION WALL | | 1 | |
| 503 92 85-01 | 503928501 | FLANGE | | 1 | |
| 503 92 25-01 | 503922501 | CHOKE CONTROL | | 1 | |
| 503 86 97-01 | 503869701 | SHORT CIRCUIT SPRING | | 1 | |
| 503 86 95-02 | 503869502 | STOP SWITCH | | 1 | |
| 503 96 76-01 | 503967601 | GASKET | | 1 | |
| 503 92 46-01 | 503924601 | INLET BEND | | 1 | |
| 725 53 41-55 | 725534155 | SCREW IHSCM | | 2 | |
| 503 96 27-01 | 503962701 | CLAMP | | 1 | |

P Accessories
Zubehöre
Accessories
Accesorios
Tillbehör
*compl 503 55 85-01



| REF. | PART NO. | DESCRIPTION | REMARK | QTY. | KIT |
|------------|-----------|--------------------|--------|------|-----|
| 5035585-01 | 503558501 | TOOL | | 1 | |
| 5016917-01 | 501691701 | COMBINATION WRENCH | | 1 | |
| 5035586-02 | 503558602 | SPANNER | | 1 | |
| 5035586-01 | 503558601 | SPANNER | | 1 | |
| 5019114-01 | 501911401 | GREASE GUN | | 1 | |
| 5036212-01 | 503621201 | GREASE | | 1 | |
| 7404201-00 | 740420100 | O-RING | | 1 | |
| 5032170-16 | 503217016 | SCREW CCRPANT | | 1 | |
| 5039788-01 | 503978801 | WINTER COVER | | 1 | |

A



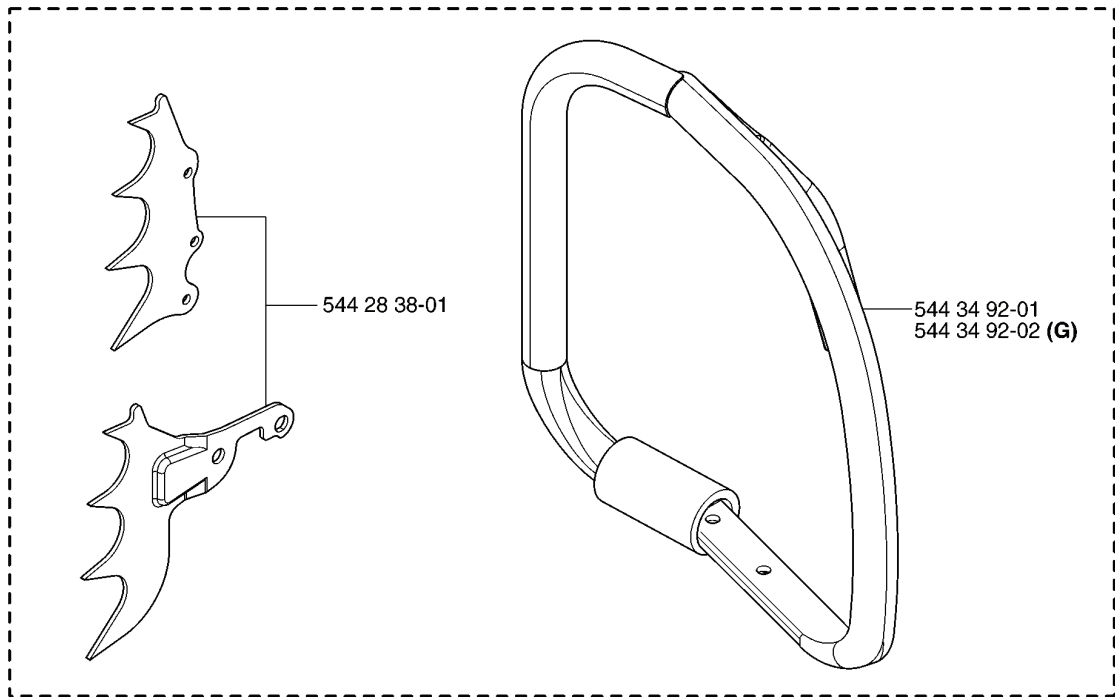
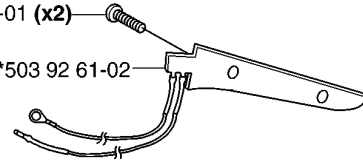
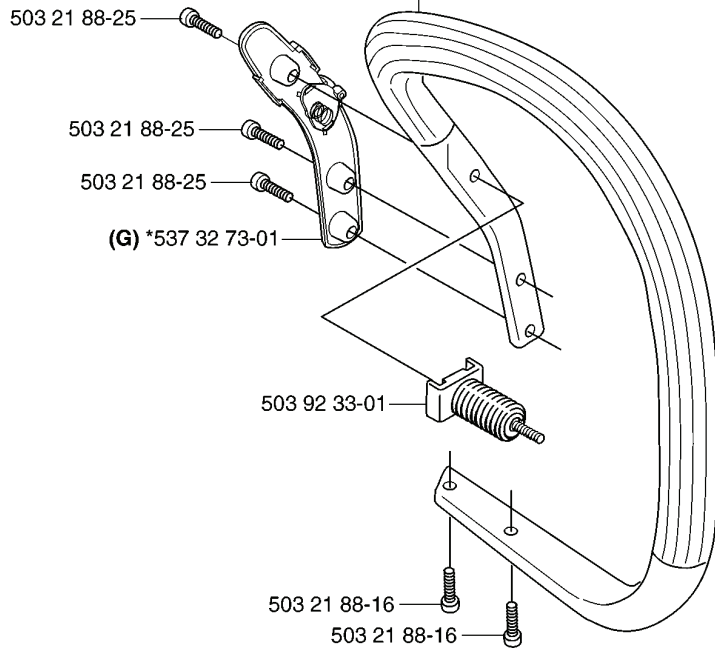
| REF. | PART NO. | DESCRIPTION | REMARK | QTY. | KIT |
|--------------|-----------|-----------------|--------|------|-----|
| 537 15 93-02 | 537159302 | HAND GUARD | | 1 | |
| 503 23 00-71 | 503230071 | WASHER | | 1 | |
| 503 89 30-03 | 503893003 | SCREW | | 1 | |
| 537 02 99-01 | 537029901 | WEAR PROTECTION | | 1 | |
| 503 22 00-01 | 503220001 | HEXAGON NUT | | 2 | |
| 537 37 04-01 | 537370401 | LABEL | | 1 | |
| 503 85 66-01 | 503856601 | COVER PLATE | | 1 | |
| 537 08 90-01 | 537089001 | WEAR PROTECTION | | 1 | |
| 537 10 80-01 | 537108001 | HUB CAP | | 1 | |
| 503 85 52-01 | 503855201 | GUIDE BUSHING | | 1 | |
| 537 10 78-01 | 537107801 | CHAIN BRAKE | | 1 | |
| 537 04 30-01 | 537043001 | BRAKE BAND ASSY | | 1 | |
| 537 15 27-01 | 537152701 | HEAT PROTECTOR | | 1 | |
| 735 31 08-20 | 735310820 | E-CLIP | | 1 | |
| 503 89 29-01 | 503892901 | PIN | | 1 | |
| 503 46 59-01 | 503465901 | BRAKE SPRING | | 1 | |
| 503 89 08-02 | 503890802 | KNEE JOINT ASSY | | 1 | |
| 503 21 70-10 | 503217010 | SCREW CCRPANT | | 1 | |

K 

(G) *503 21 38-01 (x2)

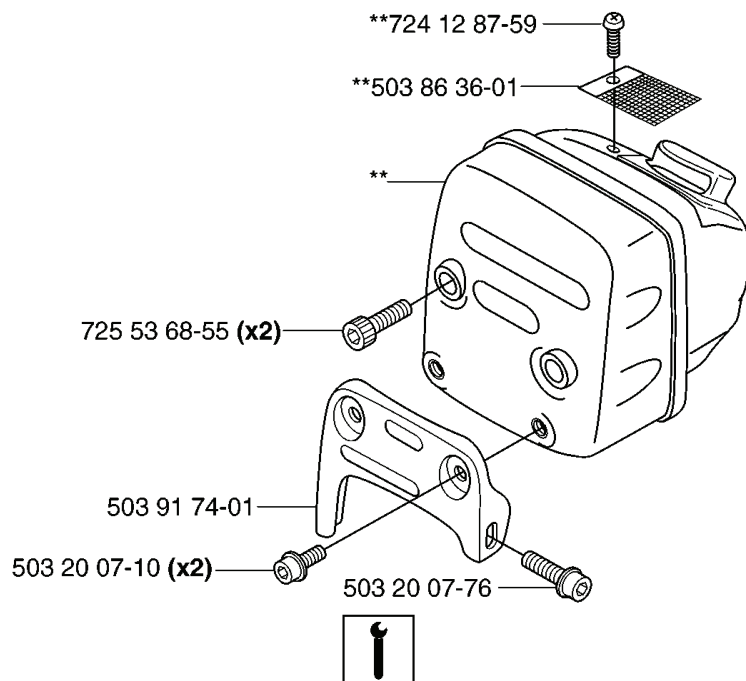
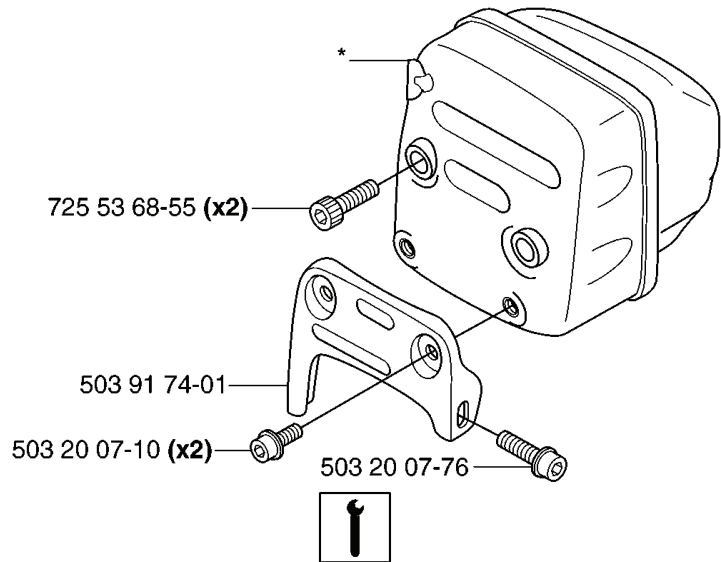
(G) *503 92 61-02

compl 537 25 65-01
compl 537 25 65-02 (G)
*compl 537 32 74-01 (G)



| REF. | PART NO. | DESCRIPTION | REMARK | QTY. | KIT |
|--------------|-----------|-----------------------|--------|------|-----|
| 537 25 65-01 | 537256501 | HANDLE | | 1 | |
| 537 25 65-02 | 537256502 | HANDLE | | 1 | |
| 537 32 74-01 | 537327401 | HANDLE | | 1 | |
| 503 21 88-25 | 503218825 | SCREW IHSCFT | | 1 | |
| 537 32 73-01 | 537327301 | CONTACT | | 1 | |
| 503 92 33-01 | 503923301 | ANTIVIBRATION ELEMENT | | 1 | |
| 503 21 88-16 | 503218816 | SCREW IHSCFT | | 1 | |
| 503 92 61-02 | 503926102 | HEATING PLATE | | 1 | |
| 503 21 38-01 | 503213801 | SCREW CRCSRT | | 2 | |
| 544 28 38-01 | 544283801 | SPIKE | | 1 | |
| 544 34 92-02 | 544349202 | HANDLE | | 1 | |
| 544 34 92-01 | 544349201 | HANDLE | | 1 | |

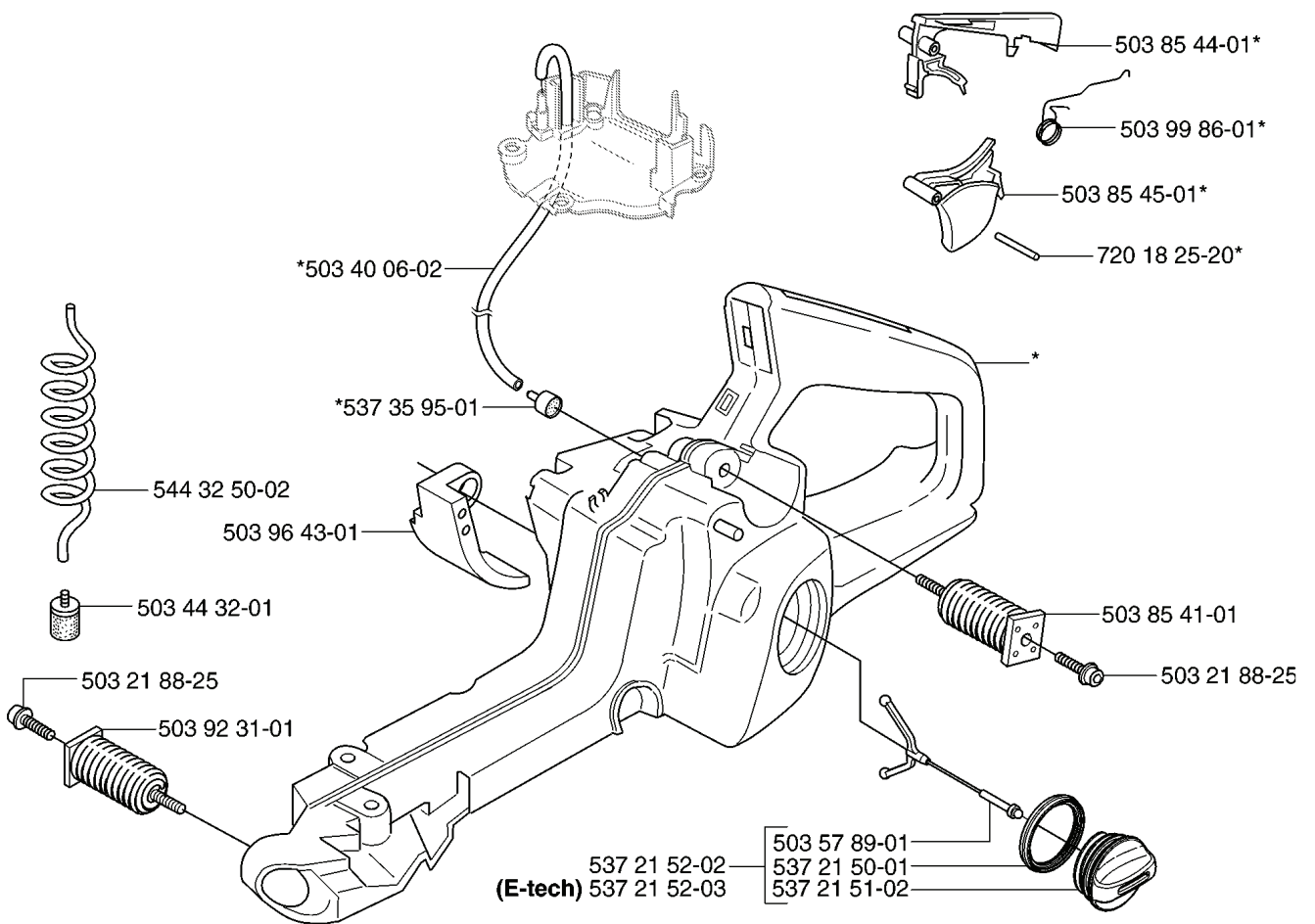
F *compl 503 91 76-01 (EU)
**compl 503 91 75-01 (FF)
**compl 537 10 22-01 (E-tech)



| REF. | PART NO. | DESCRIPTION | REMARK | QTY. | KIT |
|------------|-----------|-----------------------|--------|------|-----|
| 5039176-01 | 503917601 | MUFFLER PIPE | | 1 | |
| 5039175-01 | 503917501 | MUFFLER FF | | 1 | |
| 5371022-01 | 537102201 | MUFFLER CAT | | 1 | |
| 7255368-55 | 725536855 | SCREW IHSCM | | 2 | |
| 7241287-59 | 724128759 | SCREW CRPANM | | 1 | |
| 5038636-01 | 503863601 | SPARK ARRESTER SCREEN | | 1 | |
| 5039174-01 | 503917401 | SUPPORT LEG | | 1 | |
| 5032007-10 | 503200710 | SCREW IHSCFM | | 2 | |
| 5032007-76 | 503200776 | SCREW IHSCFM | | 1 | |

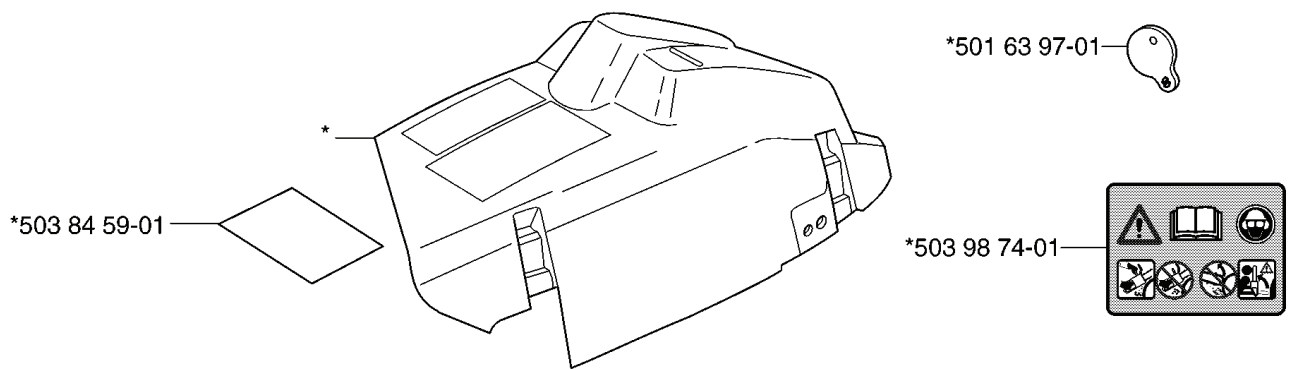
J

*compl 503 92 30-01



| REF. | PART NO. | DESCRIPTION | REMARK | QTY. | KIT |
|--------------|-----------|-----------------------|--------|------|-----|
| 503 92 30-01 | 503923001 | FUEL TANK | | 1 | |
| 503 40 06-02 | 503400602 | IMPULSE HOSE | | 1 | |
| 537 35 95-01 | 537359501 | TANK VENT ASSY | | 1 | |
| 544 32 50-02 | 544325002 | FUEL HOSE | | 1 | |
| 503 96 43-01 | 503964301 | WEAR PROTECTION | | 1 | |
| 503 44 32-01 | 503443201 | FUEL FILTER | | 1 | |
| 503 92 31-01 | 503923101 | ANTIVIBRATION ELEMENT | | 1 | |
| 537 21 52-03 | 537215203 | TANK CAP ASSY | | 1 | |
| 537 21 52-02 | 537215202 | TANK CAP ASSY | | 1 | |
| 537 21 51-02 | 537215102 | TANK | | 1 | |
| 537 21 50-01 | 537215001 | SEALING | | 1 | |
| 503 57 89-01 | 503578901 | HOLDER | | 1 | |
| 503 21 88-25 | 503218825 | SCREW IHSCFT | | 1 | |
| 503 85 41-01 | 503854101 | ANTIVIBRATION ELEMENT | | 1 | |
| 720 18 25-20 | 720182520 | PARALLEL PIN | | 1 | |
| 503 85 45-01 | 503854501 | TRIGGER | | 1 | |
| 503 99 86-01 | 503998601 | RECOIL SPRING | | 1 | |
| 503 85 44-01 | 503854401 | THROTTLE LOCKOUT | | 1 | |

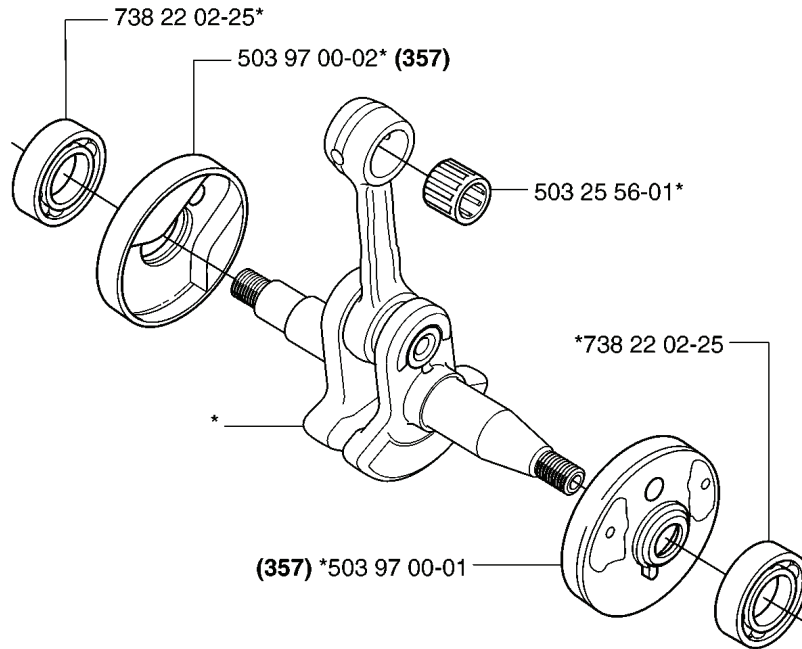
C *compl 503 92 80-02



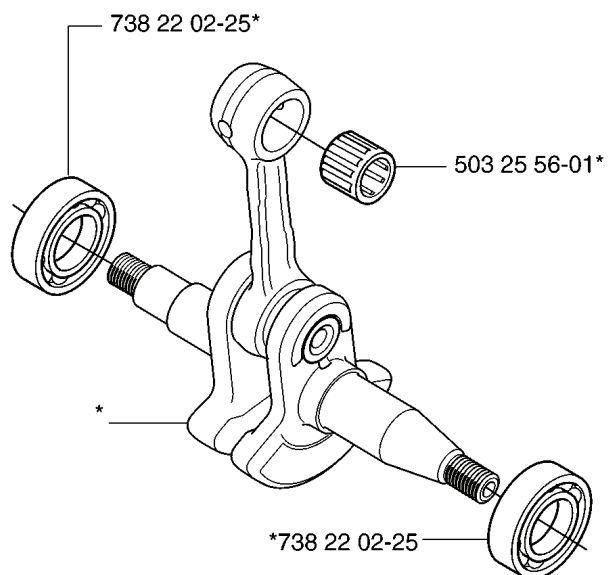
| REF. | PART NO. | DESCRIPTION | REMARK | QTY. | KIT |
|--------------|-----------|----------------|--------|------|-----|
| 503 92 80-02 | 503928002 | CYLINDER COVER | | 1 | |
| 503 84 59-01 | 503845901 | HEAT PROTECTOR | | 1 | |
| 503 98 74-01 | 503987401 | LABEL | | 1 | |
| 501 63 97-01 | 501639701 | COVER | | 1 | |

E

***compl 537 21 92-01 (357)**

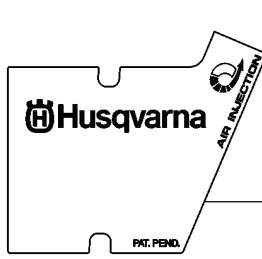
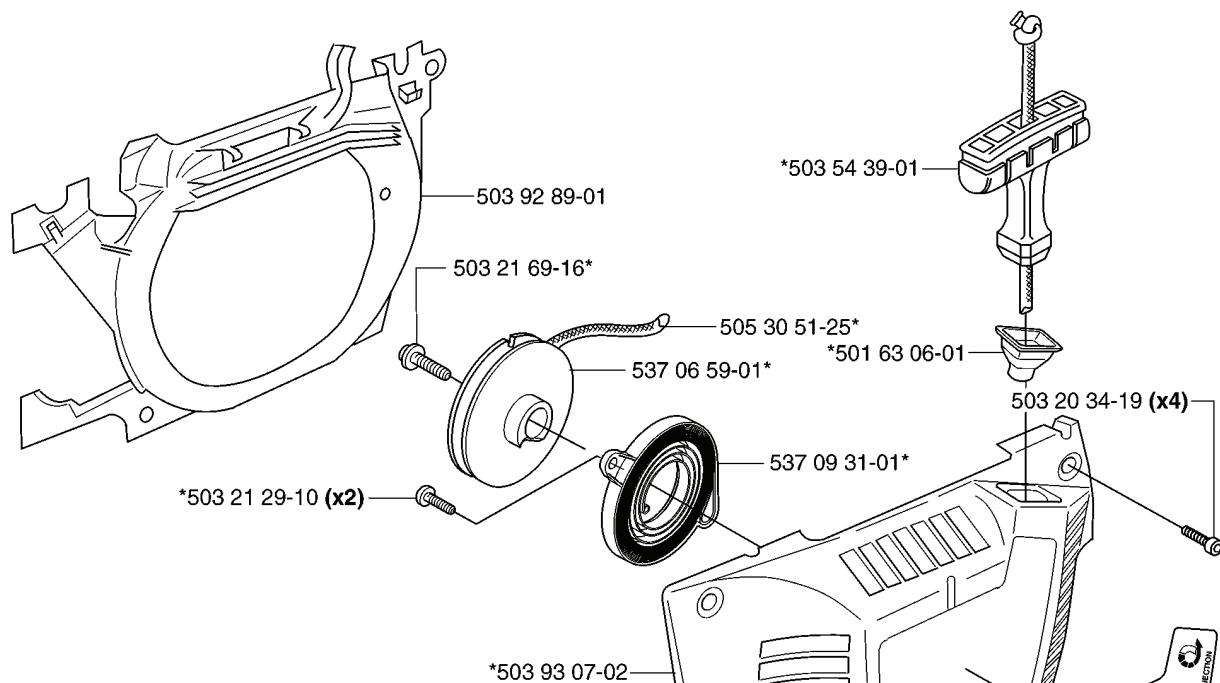


***compl 537 15 68-01 (359)**

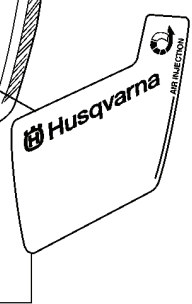


| REF. | PART NO. | DESCRIPTION | REMARK | QTY. | KIT |
|--------------|-----------|-----------------|--------|------|-----|
| 537 21 92-01 | 537219201 | CRANKSHAFT ASSY | | 1 | |
| 503 97 00-02 | 503970002 | CUP | | 1 | |
| 503 97 00-01 | 503970001 | CUP | | 1 | |
| 537 15 68-01 | 537156801 | CRANKSHAFT ASSY | | 1 | |
| 738 22 02-25 | 738220225 | BALL BEARING | | 1 | |
| 503 25 56-01 | 503255601 | NEEDLE BEARING | | 1 | |

M *compl 503 93 06-03



- 537 32 48-01 **357XP**
- 537 32 48-02 **357XPG**
- 537 32 48-03 **357XPG carb heat**
- 537 32 48-04 **357XPG E-tech**
- 537 32 48-06 **357XPG carb heat E-tech**
- 537 32 48-07 **359**
- 537 32 48-08 **359G**
- 537 32 48-09 **359G carb heat**
- 537 32 48-10 **359 E-tech**
- 537 32 48-11 **359G E-tech**
- 537 32 48-12 **359G carb heat E-tech**



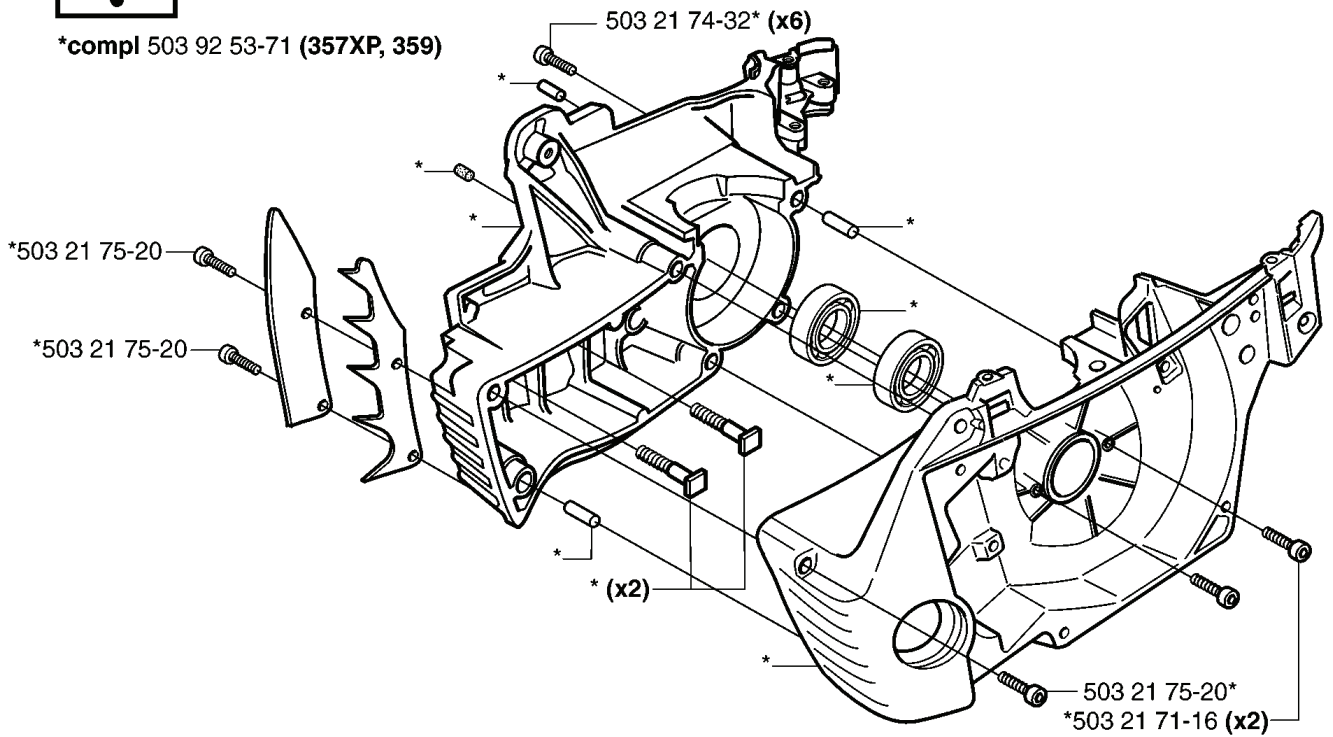
| REF. | PART NO. | DESCRIPTION | REMARK | QTY. | KIT |
|--------------|-----------|----------------------|--------|------|-----|
| 503 93 06-03 | 503930603 | STARTER | | 1 | |
| 503 92 89-01 | 503928901 | AIR CONDUCTOR | | 1 | |
| 503 21 69-16 | 503216916 | SCREW IHSCT | | 1 | |
| 503 21 29-10 | 503212910 | SCREW CCRPANT | | 2 | |
| 503 93 07-02 | 503930702 | STARTER HOUSING | | 1 | |
| 537 32 48-01 | 537324801 | LABEL | | 1 | |
| 537 32 48-02 | 537324802 | LABEL | | 1 | |
| 537 32 48-03 | 537324803 | LABEL | | 1 | |
| 537 32 48-04 | 537324804 | LABEL | | 1 | |
| 537 32 48-06 | 537324806 | LABEL | | 1 | |
| 537 32 48-07 | 537324807 | LABEL | | 1 | |
| 537 32 48-08 | 537324808 | LABEL | | 1 | |
| 537 32 48-09 | 537324809 | LABEL | | 1 | |
| 537 32 48-10 | 537324810 | LABEL | | 1 | |
| 537 32 48-11 | 537324811 | LABEL | | 1 | |
| 537 32 48-12 | 537324812 | LABEL | | 1 | |
| 537 09 31-01 | 537093101 | SPRING CASSETTE ASSY | | 1 | |
| 537 06 59-01 | 537065901 | STARTER PULLEY | | 1 | |
| 503 20 34-19 | 503203419 | SCREW CCRPANMO | | 4 | |
| 501 63 06-01 | 501630601 | SLEEVE | | 1 | |
| 505 30 51-25 | 505305125 | STARTER ROPE | | 1 | |
| 503 54 39-01 | 503543901 | STARTER HANDLE | | 1 | |

Q



Up to 030500001 (357XP)
Up to 030500048 (359)

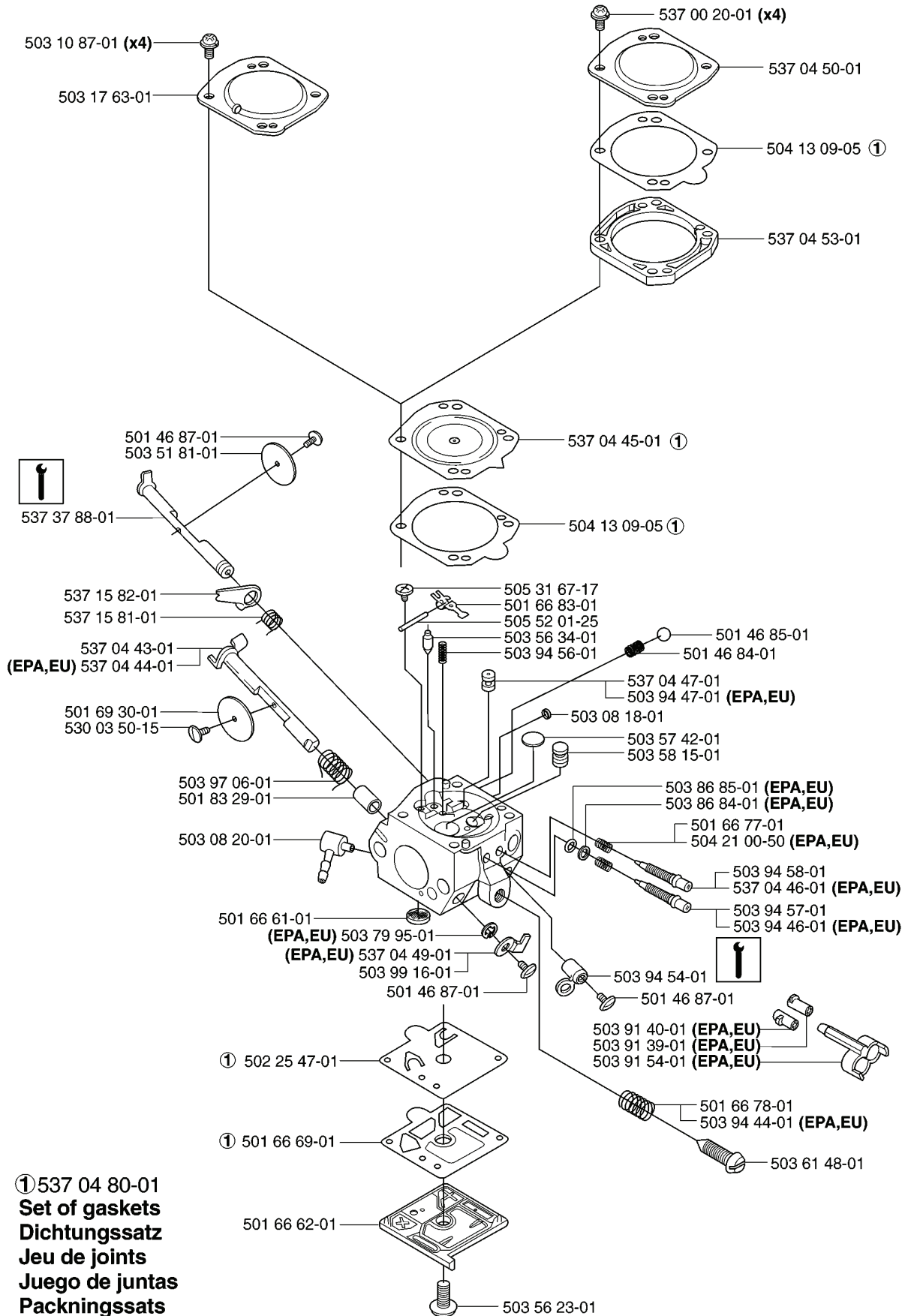
*compl 503 92 53-71 (357XP, 359)



| REF. | PART NO. | DESCRIPTION | REMARK | QTY. | KIT |
|------------|-----------|----------------|--------|------|-----|
| 5039253-71 | 503925371 | CRANKCASE ASSY | | 1 | |
| 5032175-20 | 503217520 | SCREW IHSCFT | | 1 | |
| 5032171-16 | 503217116 | SCREW IHSCFT | | 2 | |
| 5032174-32 | 503217432 | SCREW IHSCFT | | 6 | |
| 5038863-01 | 503886301 | PIN | | 1 | |
| 5039668-01 | 503966801 | COVER | | 1 | |
| 5032138-01 | 503213801 | SCREW CRCSRT | | 2 | |
| 5039261-01 | 503926101 | HEATING PLATE | | 1 | |
| 5039299-02 | 503929902 | HANDLE | | 1 | |
| 5039299-01 | 503929901 | HANDLE | | 1 | |
| 5370107-01 | 537010701 | FRAME | | 1 | |
| 5037182-02 | 503718202 | SWITCH | | 1 | |

N compl 503 28 18-19 Walbro HDA 190A Heated
 compl 503 28 18-20 Walbro HDA 191A Heated (EPA,EU)

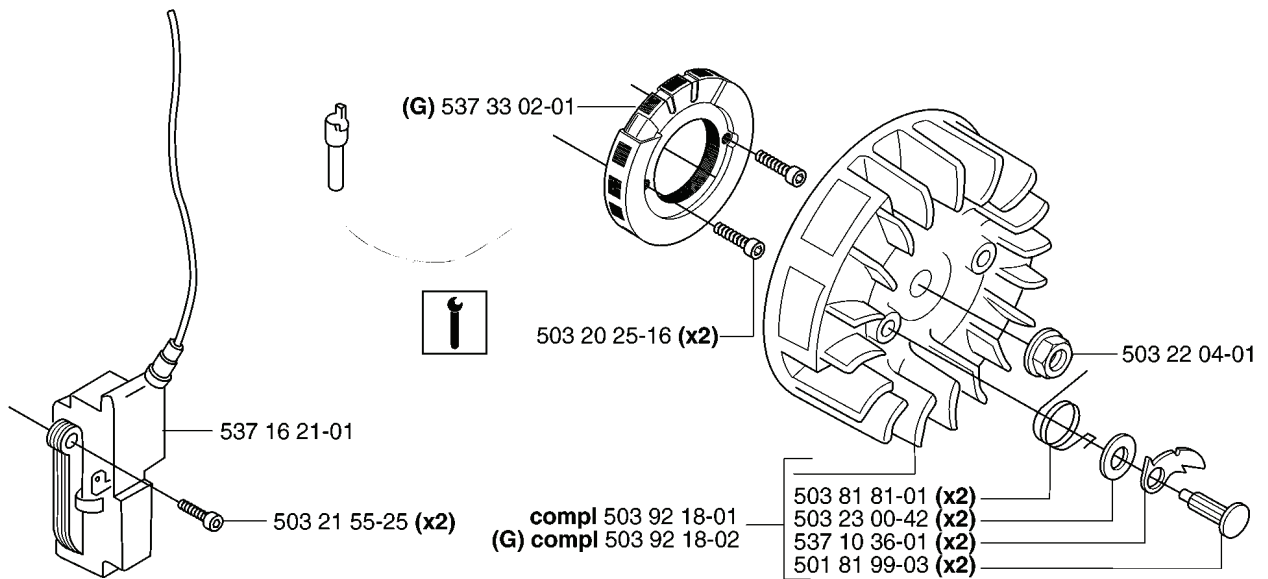
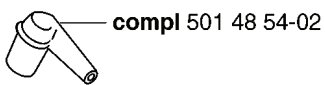
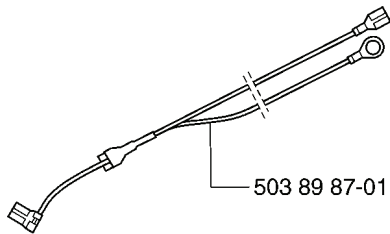
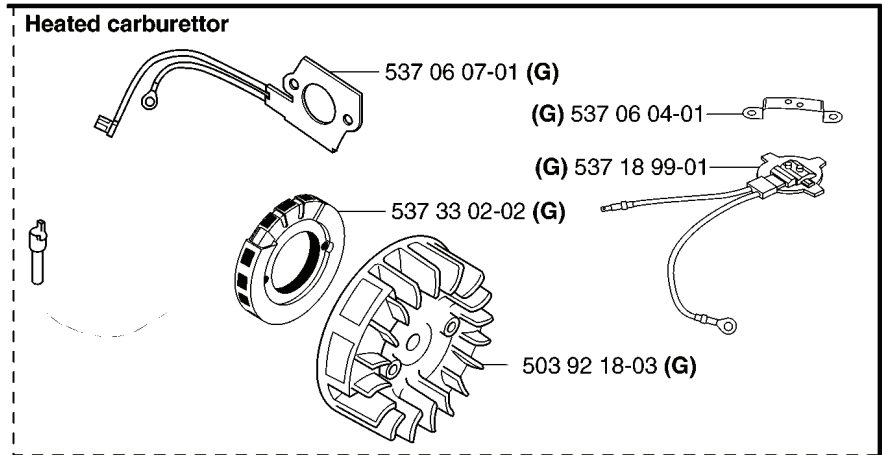
compl 503 28 18-17 Walbro HDA 198A
 compl 503 28 18-18 Walbro HDA 199A (EPA,EU)



| REF. | PART NO. | DESCRIPTION | REMARK | QTY. | KIT |
|--------------|-----------|-------------------|--------|------|-----|
| 503 28 18-19 | 503281819 | CARBURETTOR | | 1 | |
| 503 28 18-20 | 503281820 | CARBURETTOR | | 1 | |
| 503 10 87-01 | 503108701 | SCREW | | 4 | |
| 503 17 63-01 | 503176301 | COVER | | 1 | |
| 503 51 81-01 | 503518101 | VALVE THROTTLE | | 1 | |
| 537 37 88-01 | 537378801 | SHAFT ASSY | | 1 | |
| 537 15 82-01 | 537158201 | LEVER | | 1 | |
| 537 15 81-01 | 537158101 | SPRING | | 1 | |
| 537 04 43-01 | 537044301 | SHAFT ASSY | | 1 | |
| 537 04 44-01 | 537044401 | SHAFT ASSY | | 1 | |
| 501 69 30-01 | 501693001 | VALVE | | 1 | |
| 530 03 50-15 | 530035015 | SCREW | | 1 | |
| 503 97 06-01 | 503970601 | SPRING | | 1 | |
| 501 83 29-01 | 501832901 | BUSHING | | 1 | |
| 503 08 20-01 | 503082001 | FITTING | | 1 | |
| 501 66 61-01 | 501666101 | SCREEN | | 1 | |
| 503 79 95-01 | 503799501 | RETAINER RING | | 1 | |
| 537 04 49-01 | 537044901 | LEVER | | 1 | |
| 503 99 16-01 | 503991601 | LEVER | | 1 | |
| 501 46 87-01 | 501468701 | SCREW | | 1 | |
| 502 25 47-01 | 502254701 | DIAPHRAGM PUMP | | 1 | |
| 501 66 69-01 | 501666901 | GASKET | | 1 | |
| 501 66 62-01 | 501666201 | COVER | | 1 | |
| 503 56 23-01 | 503562301 | SCREW | | 1 | |
| 503 61 48-01 | 503614801 | SCREW | | 1 | |
| 503 94 44-01 | 503944401 | SPRING | | 1 | |
| 501 66 78-01 | 501667801 | SPRING | | 1 | |
| 503 91 54-01 | 503915401 | RETAINER | | 1 | |
| 503 91 39-01 | 503913901 | LIMITER CAP | | 1 | |
| 503 91 40-01 | 503914001 | LIMITER CAP | | 1 | |
| 503 94 54-01 | 503945401 | LEVER | | 1 | |
| 503 94 46-01 | 503944601 | NEEDLE | | 1 | |
| 503 94 57-01 | 503945701 | NEEDLE | | 1 | |
| 537 04 46-01 | 537044601 | NEEDLE HIGH SPEED | | 1 | |
| 503 94 58-01 | 503945801 | NEEDLE | | 1 | |
| 504 21 00-50 | 504210050 | SPRING | | 1 | |
| 501 66 77-01 | 501667701 | SPRING | | 1 | |
| 503 86 84-01 | 503868401 | WASHER | | 1 | |
| 503 86 85-01 | 503868501 | O-RING | | 1 | |
| 503 58 15-01 | 503581501 | NOZZLE ASSY | | 1 | |
| 503 57 42-01 | 503574201 | PLUG | | 1 | |

| REF. | PART NO. | DESCRIPTION | REMARK | QTY. | KIT |
|------------|-----------|--------------|--------|------|-----|
| 5030818-01 | 503081801 | PLUG | | 1 | |
| 5039447-01 | 503944701 | JET | | 1 | |
| 5370447-01 | 537044701 | JET | | 1 | |
| 5014684-01 | 501468401 | SPRING | | 1 | |
| 5014685-01 | 501468501 | BALL | | 1 | |
| 5039456-01 | 503945601 | SPRING | | 1 | |
| 5035634-01 | 503563401 | NEEDLE VALVE | | 1 | |
| 5055201-25 | 505520125 | PIN | | 1 | |
| 5016683-01 | 501668301 | LEVER | | 1 | |
| 5053167-17 | 505316717 | SCREW | | 1 | |
| 5370445-01 | 537044501 | DIAPHRAGM | | 1 | |
| 5370453-01 | 537045301 | PLATE | | 1 | |
| 5041309-05 | 504130905 | GASKET | | 1 | |
| 5370450-01 | 537045001 | COVER | | 1 | |
| 5370020-01 | 537002001 | SCREW | | 4 | |
| 5032818-18 | 503281818 | CARBURETTOR | | 1 | |
| 5032818-17 | 503281817 | CARBURETTOR | | 1 | |

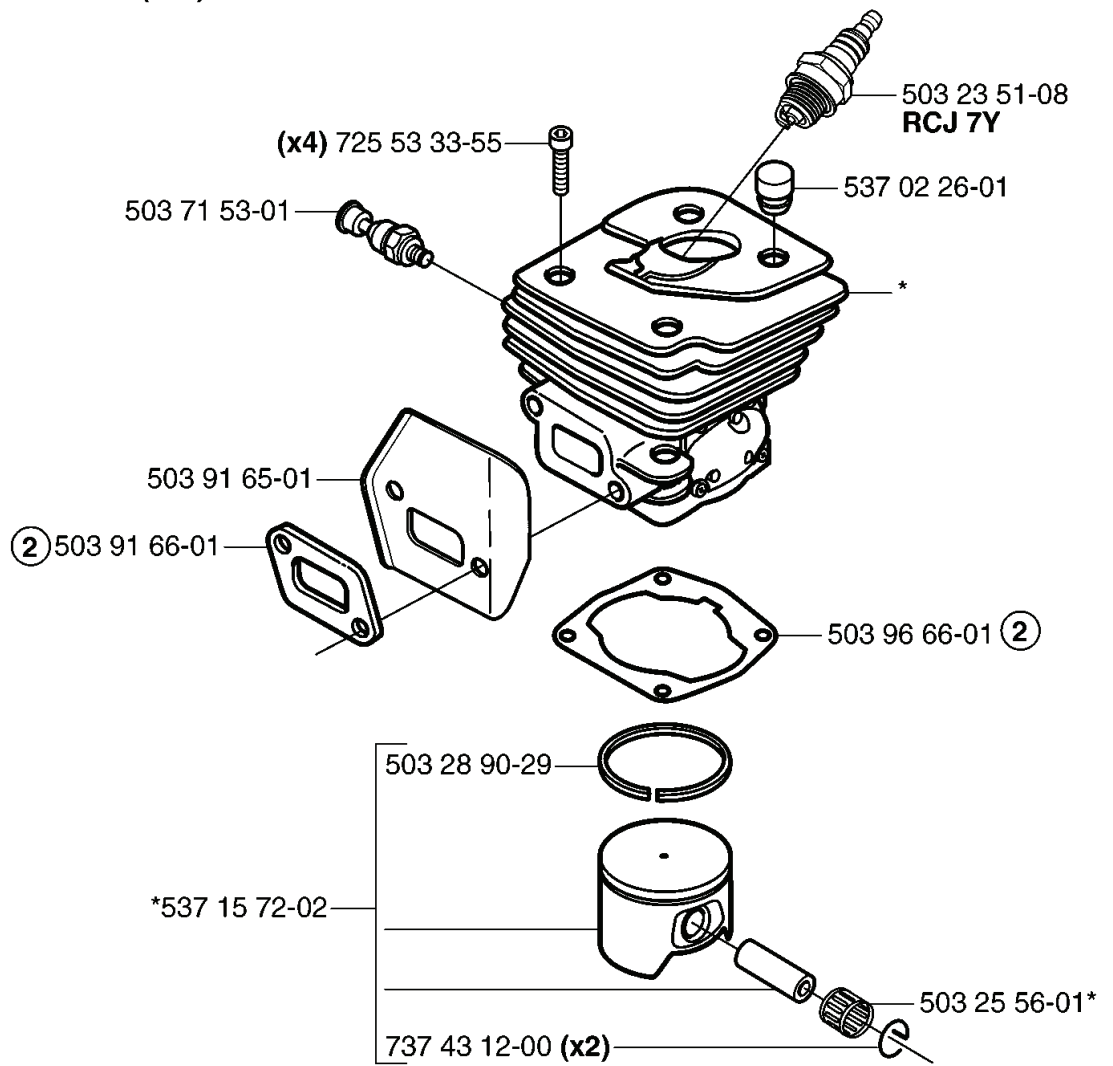
L



| REF. | PART NO. | DESCRIPTION | REMARK | QTY. | KIT |
|--------------|-----------|------------------|--------|------|-----|
| 503 89 87-01 | 503898701 | WIRING ASSY | | 1 | |
| 501 48 54-02 | 501485402 | SPARK PLUG CAP | | 1 | |
| 537 33 02-01 | 537330201 | GENERATOR STATOR | | 1 | |
| 537 16 21-01 | 537162101 | IGNITION SYSTEM | | 1 | |
| 503 21 55-25 | 503215525 | SCREW IHSC T | | 2 | |
| 503 92 18-02 | 503921802 | FLYWHEEL | | 1 | |
| 503 92 18-01 | 503921801 | FLYWHEEL | | 1 | |
| 503 20 25-16 | 503202516 | SCREW IHSCM | | 2 | |
| 503 81 81-01 | 503818101 | SPRING | | 2 | |
| 503 23 00-42 | 503230042 | WASHER | | 2 | |
| 537 10 36-01 | 537103601 | STARTER PAWL | | 2 | |
| 501 81 99-03 | 501819903 | SCREW | | 2 | |
| 503 22 04-01 | 503220401 | NUT | | 1 | |
| 503 92 18-03 | 503921803 | FLYWHEEL | | 1 | |
| 537 33 02-02 | 537330202 | GENERATOR STATOR | | 1 | |
| 537 18 99-01 | 537189901 | THERMOSTAT ASSY | | 1 | |
| 537 06 04-01 | 537060401 | RETAINER | | 1 | |
| 537 06 07-01 | 537060701 | FOIL ELEMENT | | 1 | |

| REF. | PART NO. | DESCRIPTION | REMARK | QTY. | KIT |
|--------------|-----------|-------------------|--------|------|-----|
| 503 92 53-71 | 503925371 | CRANKCASE ASSY | | 1 | |
| 503 20 07-76 | 503200776 | SCREW IHSCFM | | 1 | |
| 537 02 18-01 | 537021801 | BUMPER | | 1 | |
| 503 97 38-01 | 503973801 | SPIKE | | 1 | |
| 537 07 12-01 | 537071201 | CHAIN TENSIONER | | 1 | |
| 503 21 88-25 | 503218825 | SCREW IHSCFT | | 1 | |
| 537 37 79-01 | 537377901 | CHAIN CATCHER | | 1 | |
| 738 22 02-25 | 738220225 | BALL BEARING | | 1 | |
| 537 21 52-02 | 537215202 | TANK CAP ASSY | | 1 | |
| 537 21 51-02 | 537215102 | TANK | | 1 | |
| 537 21 50-01 | 537215001 | SEALING | | 1 | |
| 503 57 89-01 | 503578901 | HOLDER | | 1 | |
| 503 20 02-20 | 503200220 | SCREW IHSCFM | | 1 | |
| 505 27 57-19 | 505275719 | SEALING RING | | 1 | |
| 503 20 25-16 | 503202516 | SCREW IHSCM | | 2 | |
| 503 86 92-01 | 503869201 | BUSHING | | 1 | |
| 503 21 74-12 | 503217412 | SCREW IHSCFT | | 1 | |
| 503 92 90-01 | 503929001 | JET | | 1 | |
| 503 89 47-01 | 503894701 | SNAP LOCKING | | 3 | |
| 503 21 39-01 | 503213901 | SCREW IHSCFT | | 3 | |
| 503 87 54-01 | 503875401 | BAR BOLT | | 2 | |
| 503 89 24-01 | 503892401 | LOCK | | 1 | |
| 503 43 65-01 | 503436501 | POSITION SPRING | | 1 | |
| 537 04 03-01 | 537040301 | VALVE | | 1 | |
| 721 12 07-30 | 721120730 | GROOVED PIN | | 1 | |
| 503 20 08-32 | 503200832 | SCREW IHSCM | | 6 | |
| 503 21 51-01 | 503215101 | SCREW IHSCFT | | 1 | |
| 503 92 79-01 | 503927901 | CARBURETTOR | | 1 | |
| 503 93 54-01 | 503935401 | CHAIN GUIDE PLATE | | 1 | |
| 503 21 75-12 | 503217512 | SCREW IHSCFT | | 4 | |
| 503 86 93-01 | 503869301 | SUPPORT | | 2 | |
| 537 14 65-01 | 537146501 | BELLOWS | | 1 | |
| 503 90 56-01 | 503905601 | GUIDE BUSHING | | 1 | |
| | 503978501 | GASKET KIT | | 1 | |

D *compl 537 15 73-02 (359)



| REF. | PART NO. | DESCRIPTION | REMARK | QTY. | KIT |
|--------------|-----------|---------------------|--------|------|-----|
| 537 15 73-02 | 537157302 | CYLINDER ASSY | | 1 | |
| 725 53 33-55 | 725533355 | SCREW IHSCM | | 4 | |
| 503 71 53-01 | 503715301 | DECOMPRESSION VALVE | | 1 | |
| 503 91 65-01 | 503916501 | HEAT DEFLECTOR | | 1 | |
| 503 91 66-01 | 503916601 | GASKET | | 1 | |
| 503 28 90-29 | 503289029 | PISTON RING | | 1 | |
| 537 15 72-02 | 537157202 | PISTON ASSY | | 1 | |
| 737 43 12-00 | 737431200 | SNAP RING | | 2 | |
| 503 25 56-01 | 503255601 | NEEDLE BEARING | | 1 | |
| 503 96 66-01 | 503966601 | GASKET | | 1 | |
| 537 02 26-01 | 537022601 | SUPPORT | | 1 | |
| 503 23 51-08 | 503235108 | SPARK PLUG | | 1 | |

Q



Up to 043900001 (357XP)
Up to 043900001 (359)

503 88 63-01



| REF. | PART NO. | DESCRIPTION | REMARK | QTY. | KIT |
|------|-----------|-------------|--------|------|-----|
| | 503886301 | PIN | | 1 | |