

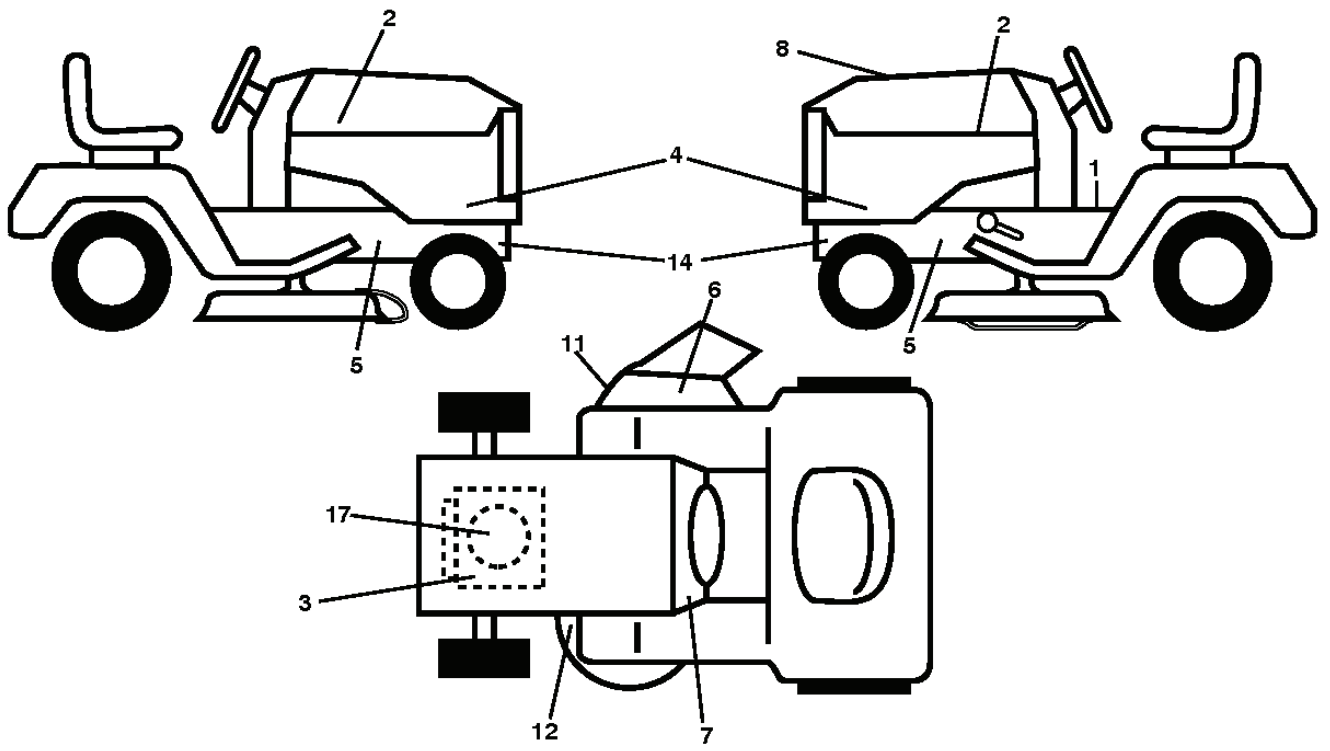
TC 130, 96051018800, 2019-07

---

# **SPARE PARTS LIST**

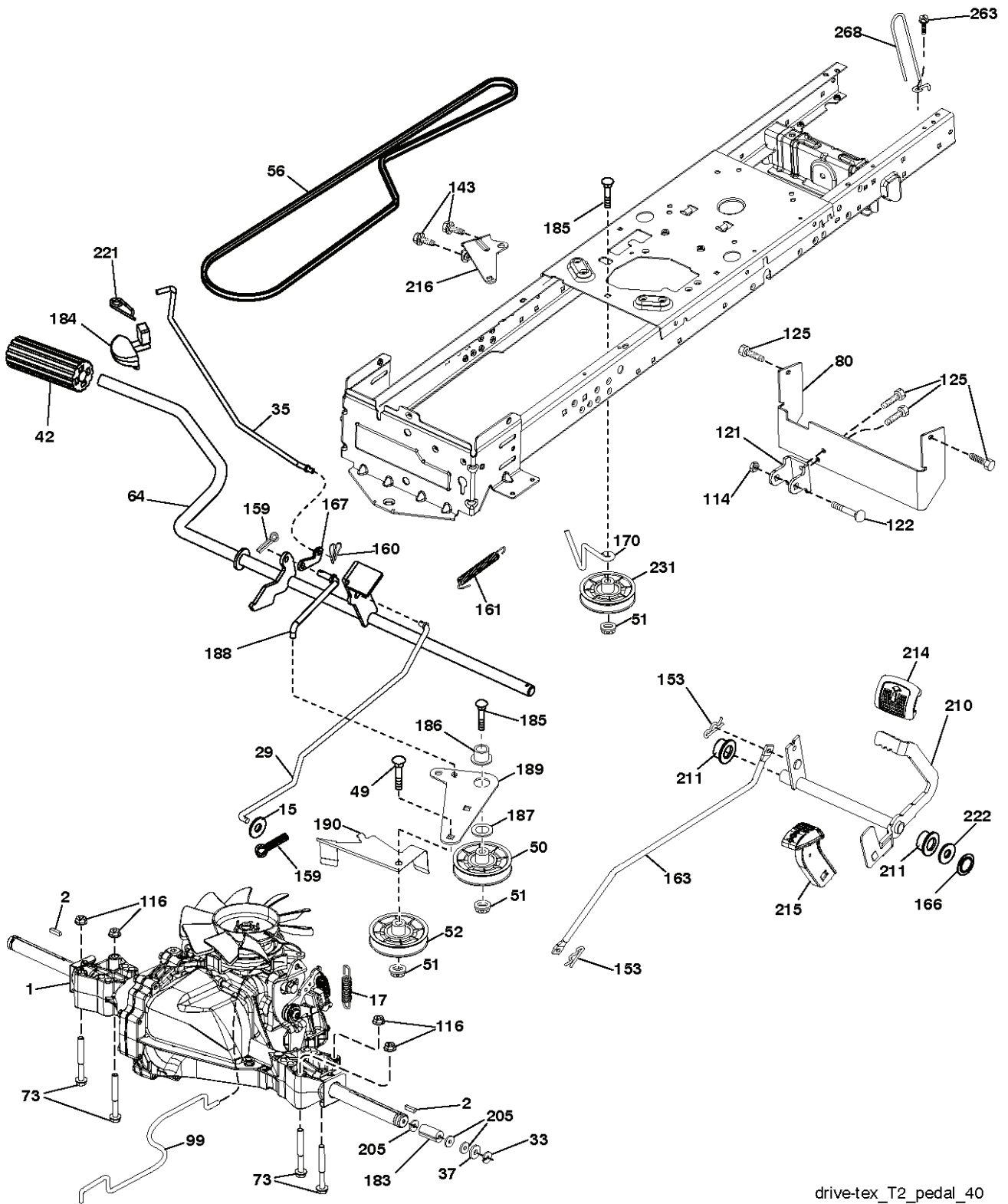


REF.	PART NO.	DESCRIPTION	REMARK	QTY.	KIT
3	581056301	LOGOTYPE		1	
5	585529805	DASHBOARD		1	
14	532441267	HOOD		1	
15	532441428	LENS		1	
18	532441368	GRILLE		1	
19	596133201	WASHER		1	
25	532441427	LENS		1	
34	580910901	PLATE		1	
36	817060512	SCREW		1	
37	532441369	FENDER		1	
52	596040501	LOCK NUT		1	
58	532412280	PLATE		1	
62	596728201	BOLT		1	
68	596030701	SCREW		1	
118	596565301	WASHER		1	
119	596322601	NUT		1	
125	581684801	CLIP		1	
130	596321701	SCREW		1	
137	532407590	DAMPING PIECE		1	
146	581857901	BOLT		1	
150	532406662	AIR DUCT		1	
151	532407807	BRACKET		1	
152	532199535	SHIELD		1	
159	817000612	SCREW		1	
162	596134101	SCREW		1	
175	532199472	PLATE		1	
176	532400776	SCREW		1	
177	532195228	BUSHING		1	
180	532414685	CHASSIS		1	
182	532407176	DASH		1	
183	595305701	SCREW		1	
189	817000512	SCREW		1	
191	532416501	INSERT		1	
194	596135701	LOCK NUT		1	
199	532418739	PLATE		1	
202	532441342	COVER		1	
203	532441343	COVER		1	
204	532441375	COVER		1	
205	532441344	SKIRT		1	
206	532441345	SKIRT		1	
213	596030501	SCREW		1	
214	532199145	CLIP		1	
216	817670508	SCREW		1	
217	532409167	ROD		1	
218	532196395	PLATE		1	
228	593824001	STUD		1	
235	596564201	SPACER		1	
236	873930500	NUT		1	
238	532441374	SPARE PARTS		1	
239	532404883	CLIP		1	
282	532414110	CLIP		1	
283	532440531	CONSOLE		1	
284	532440530	CONSOLE		1	
287	817600406	SCREW		1	
297	532406665	INSERT		1	
303	589007602	GUARD		1	
306	873900600	NUT		1	
307	587494501	SHIELD		1	
308	532171877	BOLT		1	
309	532430246	BACKPLATE		1	
310	532445428	BRACKET		1	
311	532445430	BRACKET		1	
319	532174662	BRACKET		1	
322	532423062	NUT		1	
323	532431488	GUARD		1	
325	532423063	WASHER		1	
326	817060410	SCREW		1	
327	532431483	GUARD		1	
328	532431487	GUARD		1	
329	596136401	BOLT		1	
332	532431482	GUARD		1	
333	596583702	NUT		1	
334	532442537	BRACKET		1	
369	596434001	SCREW		1	
375	586908201	BUMPER		1	
376	589458701	MOUNT		1	
377	589455301	SCREW		1	



---

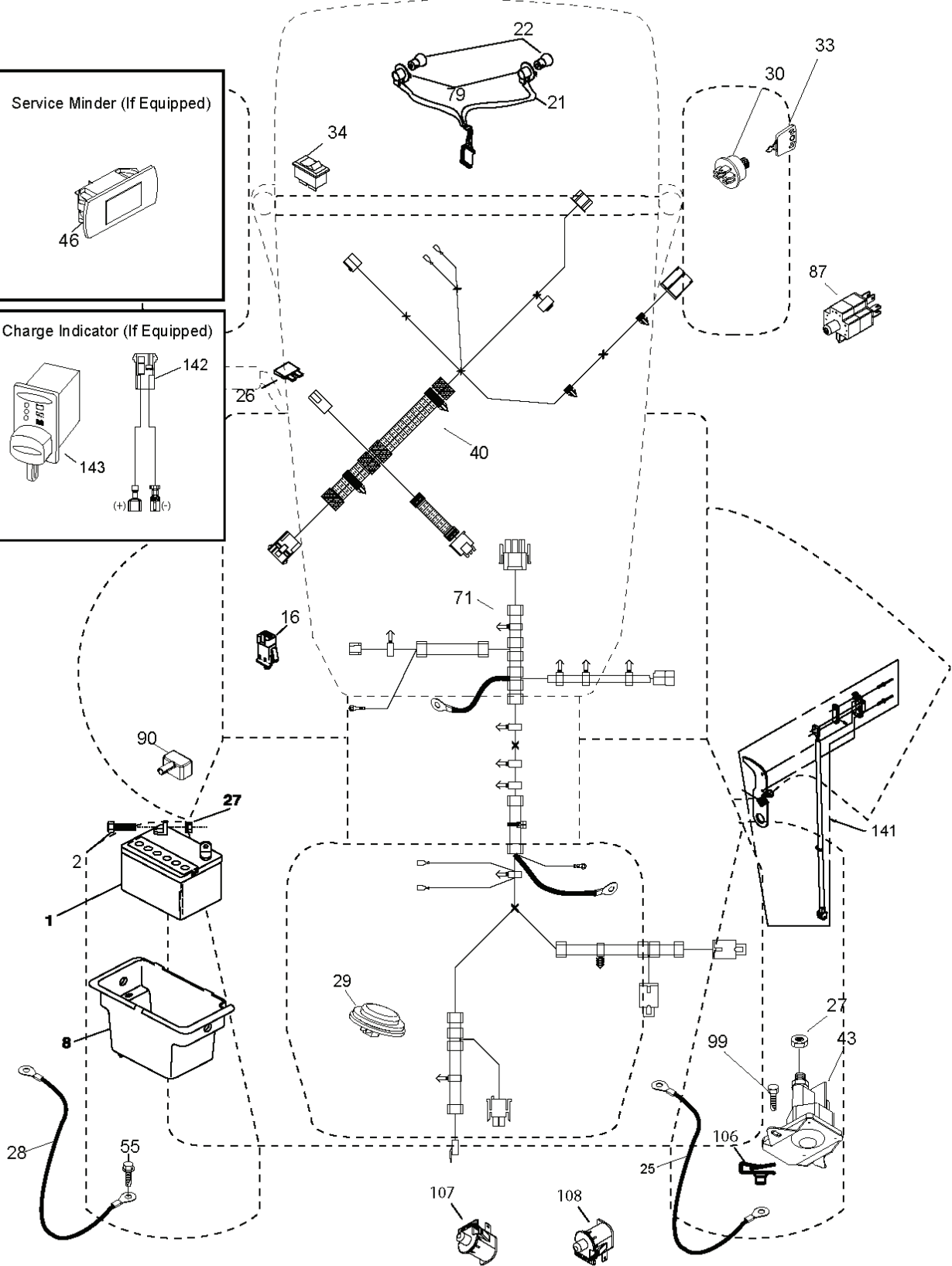
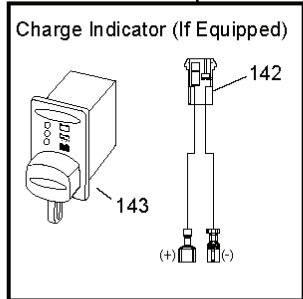
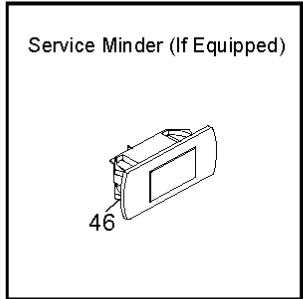
REF.	PART NO.	DESCRIPTION	REMARK	QTY.	KIT
1	586350601	DECAL		1	
2	501131401	DECAL		1	
3	581579701	DECAL		1	
4	587396401	DECAL		1	
5	581579601	DECAL		1	
6	584904601	DECAL		1	
7	586066201	DECAL		1	
8	596011801	DECAL		1	
11	581579401	DECAL		1	
12	581580004	DECAL		1	
14	581579801	DECAL		1	
17	587385001	DECAL		1	
--	581724801	DECAL		1	
--	532441409	PAD		1	
--	532441410	PAD		1	



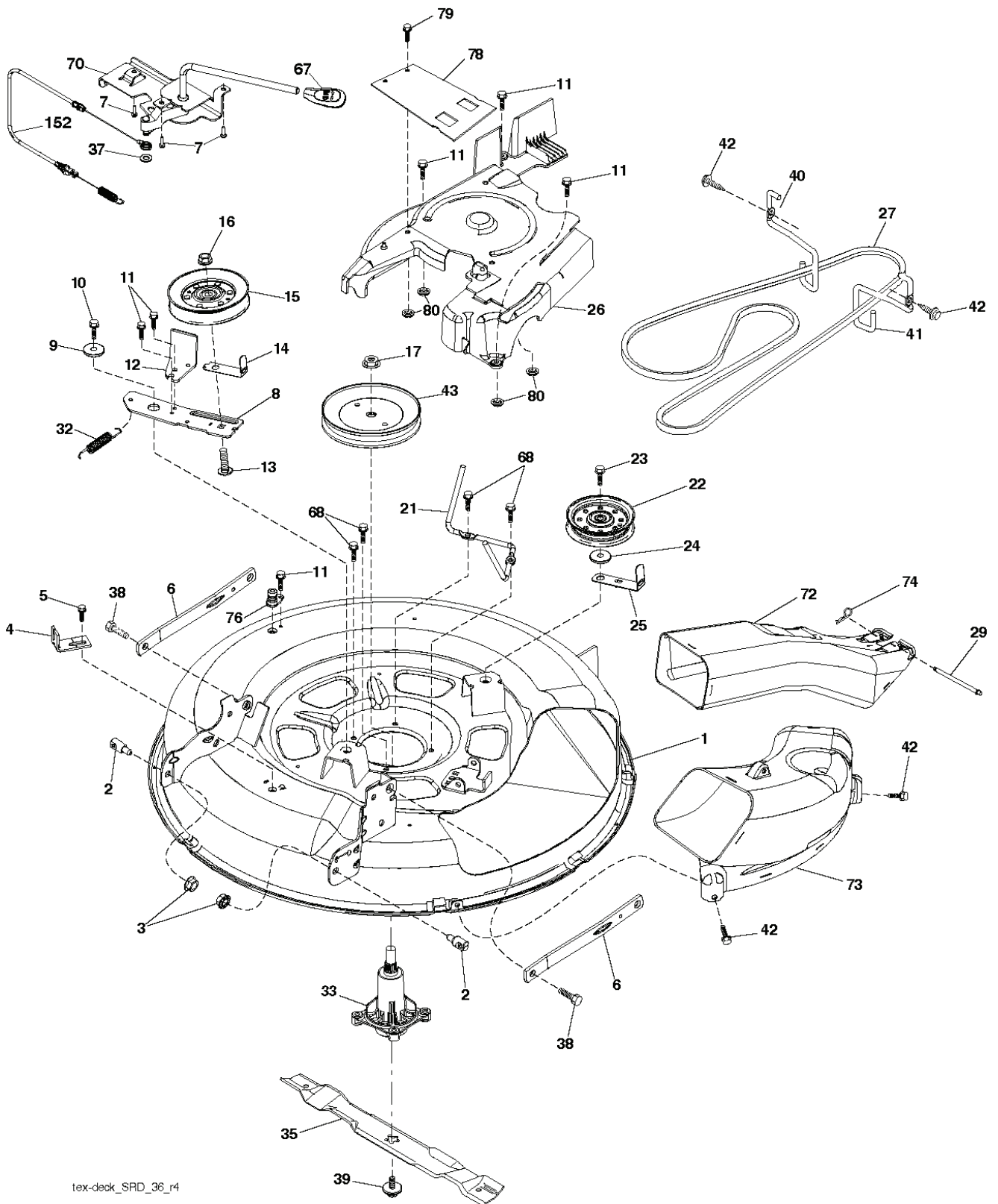
drive-tex\_T2\_pedal\_40

REF.	PART NO.	DESCRIPTION	REMARK	QTY.	KIT
1	000000000	W/O DESCRIPTION	Transaxle, Hydro Gear T2-BDBE-1X2B-18X1 (587392201)	1	
2	532123583	KEY		1	
15	596565301	WASHER		1	
17	532197296	SPRING		1	
29	532423239	ROD		1	
33	812000001	RETAINER RING		1	
35	596874801	ROD		1	
37	532121749	WASHER		1	
42	532008883	PEDAL RUBBER		1	
49	596136201	BOLT		1	
50	532194327	PULLEY		1	
51	873900600	NUT		1	
52	532194326	PULLEY		1	
56	592855301	BELT		1	
64	532197865	SHAFT		1	
73	595316601	BOLT		1	
80	581550701	STRAP		1	
99	532408418	ROD		1	
114	596583702	NUT		1	
116	596135701	LOCK NUT		1	
121	532175611	CHAPPE DE FIXATION		1	
122	872010520	BOLT		1	
125	817000512	SCREW		1	
143	596030701	SCREW		1	
153	532004497	CLIP		1	
159	596029501	PIN		1	
160	596029401	RETAINER		1	
161	532105709	SPRING		1	
163	594007201	ROD		1	
166	532429164	NUT		1	
167	532405257	LATCH		1	
170	532413430	BELT GUIDE		1	
183	532156972	SPACER		1	
184	532411484	CONTROL		1	
185	872110622	BOLT		1	
186	532194321	SPACER		1	
187	596135501	WASHER		1	
188	582217001	LINK		1	
189	532194317	PLATE		1	
190	532194318	BELT GUIDE		1	
205	532121748	WASHER		1	
210	532400980	PEDAL ARM		1	
211	532120183	BEARING		1	
214	532421263	PAD		1	
215	586606502	PEDAL		1	
216	532196131	BRACKET		1	
221	532403187	SPRING		1	
222	879212010	WASHER		1	
231	532407287	PULLEY		1	
263	817000612	SCREW		1	
268	596887801	MUFFLER GUARD		1	

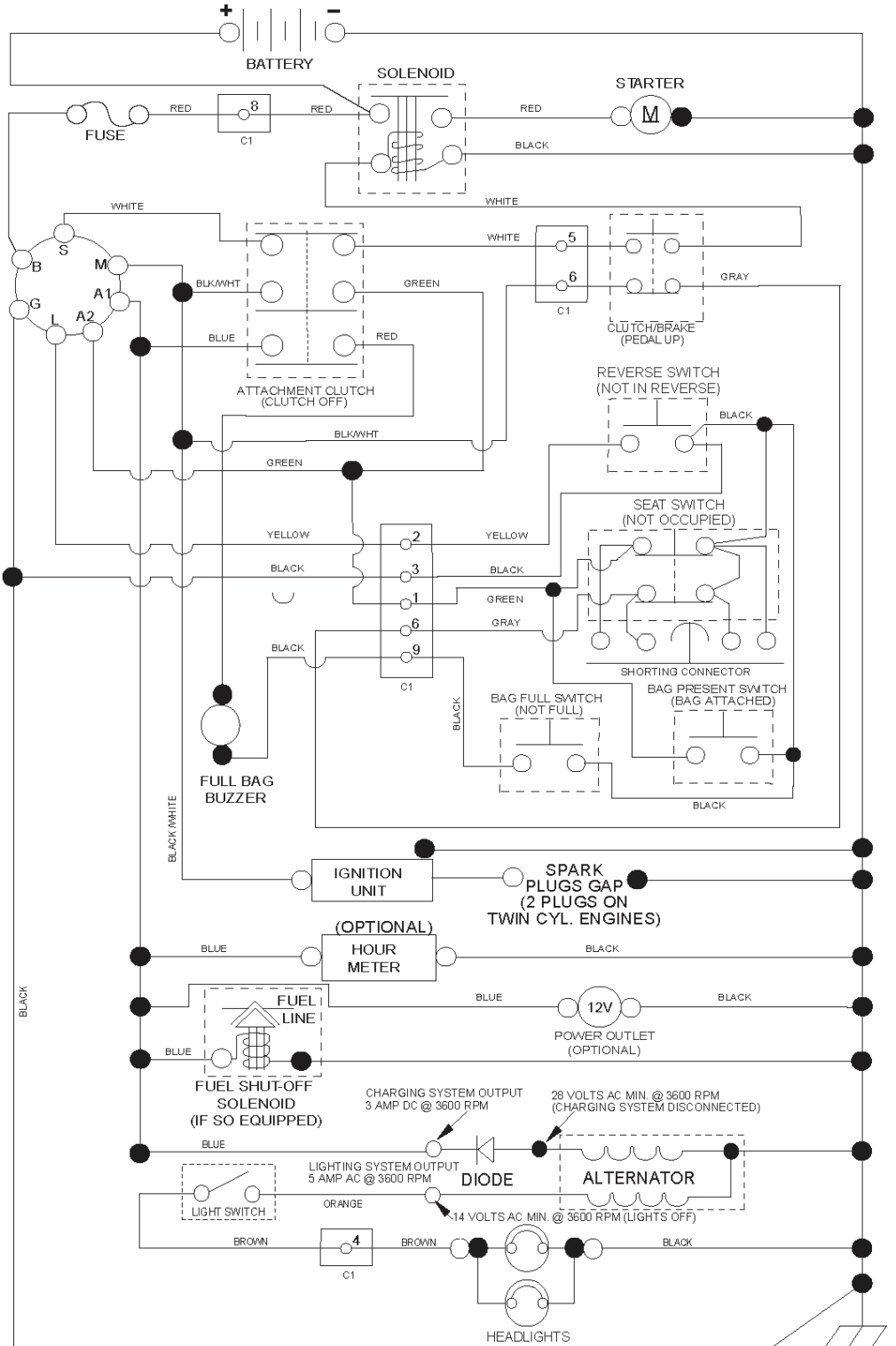
S02S



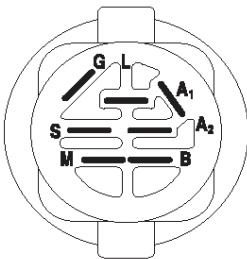
REF.	PART NO.	DESCRIPTION	REMARK	QTY.	KIT
1	532163465	BATTERY		1	
2	874760412	BOLT		1	
8	532419791	BATTERY BOX		1	
16	532176138	MICRO SWITCH		1	
21	532400252	HARNESS		1	
22	532004152	BULB		1	
25	532416694	CABLE		1	
26	532175158	FUSE		1	
27	596133601	LOCK NUT		1	
28	532421686	CABLE		1	
29	532401545	SWITCH		1	
30	532193350	IGNITION MODULE		1	
33	532411935	KEY		1	
34	532110712	SWITCH		1	
40	585849901	HARNESS		1	
43	582042802	SOLENOID		1	
46	594919101	HOUR METER		1	
55	817060512	SCREW		1	
71	501133401	HARNESS		1	
79	532175242	HOLDER		1	
87	532421060	SWITCH		1	
90	532435395	TERMINAL COVER		1	
99	817670412	SCREW		1	
106	532174814	NUT		1	
107	532421061	SWITCH		1	
108	532421062	SWITCH		1	
141	532416977	KIT		1	
142	583857801	HARNESS		1	
143	532448059	HARNESS		1	



REF.	PART NO.	DESCRIPTION	REMARK	QTY.	KIT
--	532440958	CUTTING DECK		1	
1	532434487	DECK		1	
2	593824001	STUD		1	
3	596135701	LOCK NUT		1	
4	532417645	BRACKET		1	
5	817000510	BOLT		1	
6	532418863	ARM		1	
7	596321701	SCREW		1	
8	532420252	ARM		1	
9	532199092	SPACER		1	
10	817000616	SCREW		1	
11	532137729	SCREW		1	
12	532199470	ARM		1	
13	596136101	BOLT		1	
14	532156085	BELT GUIDE		1	
15	532146763	PULLEY		1	
16	873900600	NUT		1	
17	596134801	HEXAGON NUT		1	
21	532416910	BELT GUARD		1	
22	596481401	PULLEY		1	
23	596564003	BOLT		1	
24	596134901	WASHER		1	
25	532420253	BELT GUARD		1	
26	532420255	COVER		1	
27	532419271	BELT		1	
29	593885101	ROD		1	
32	532401872	SPRING		1	
33	587819701	MANDREL		1	
35	532419274	RIDE ON BLADE		1	
37	596565301	WASHER		1	
38	532196539	BOLT		1	
39	584309301	SCREW		1	
40	532419270	BELT GUARD		1	
41	532419265	BELT GUARD		1	
42	817000612	SCREW		1	
43	532416877	PULLEY		1	
67	532403012	HANDLE		1	
68	584953901	BOLT		1	
70	532401246	CLUTCH		1	
72	532417236	CHUTE		1	
73	532425274	CHUTE		1	
74	596919601	PIN		1	
76	532415598	HOSE COUPLING		1	
78	532422566	GUARD		1	
79	596134101	SCREW		1	
80	532423062	NUT		1	
152	532435111	CABLE		1	

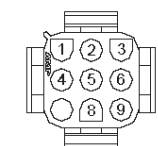


**NOTE**  
 YOUR TRACTOR IS EQUIPPED WITH A SPECIAL ALTERNATOR SYSTEM. THE LIGHTS ARE NOT CONNECTED TO THE BATTERY, BUT HAVE THEIR OWN ELECTRICAL SOURCE. BECAUSE OF THIS, THE BRIGHTNESS OF THE LIGHTS WILL CHANGE WITH ENGINE SPEED. AT IDLE THE LIGHTS WILL DIM. AS THE ENGINE SPEED IS INCREASED, THE LIGHTS WILL BECOME THEIR BRIGHTEST.

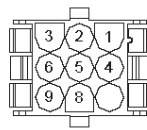


IGNITION SWITCH

POSITION	CIRCUIT "MAKE"
OFF	M+G+A1
RUN/OVERRIDE	B+A1
RUN	B+A1 L+A2
START	B+S+A1



CHASSIS HARNESS CONNECTOR (C1) (MATING SIDE)



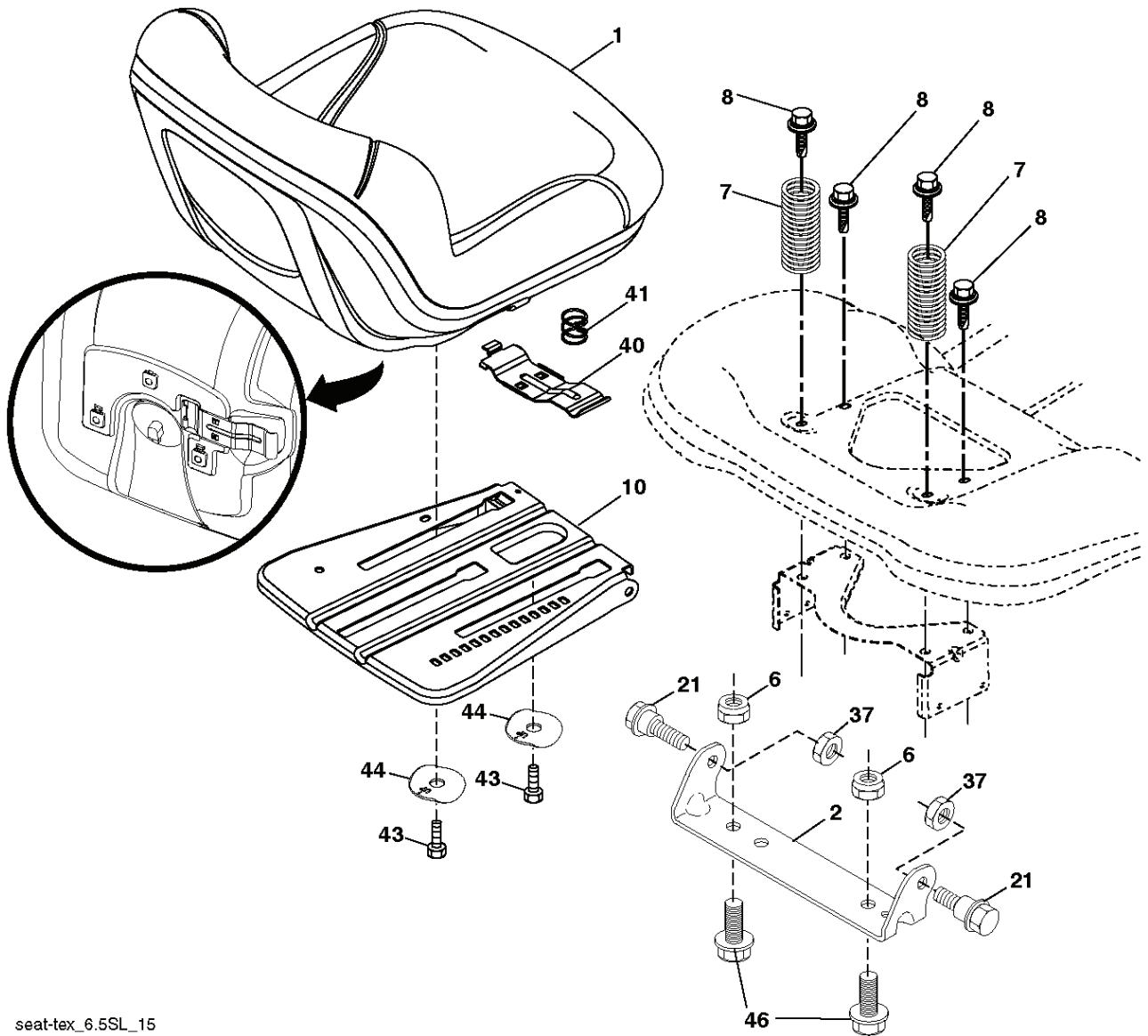
DASH HARNESS CONNECTOR (C1) (MATING SIDE)

**WIRING INSULATED CLIPS**  
 NOTE: IF WIRING INSULATED CLIPS WERE REMOVED FOR SERVICING OF UNIT, THEY SHOULD BE RE-INSTALLED TO PROPERLY SECURE YOUR WIRING.

● NON-REMOVABLE CONNECTIONS

○ REMOVABLE CONNECTIONS

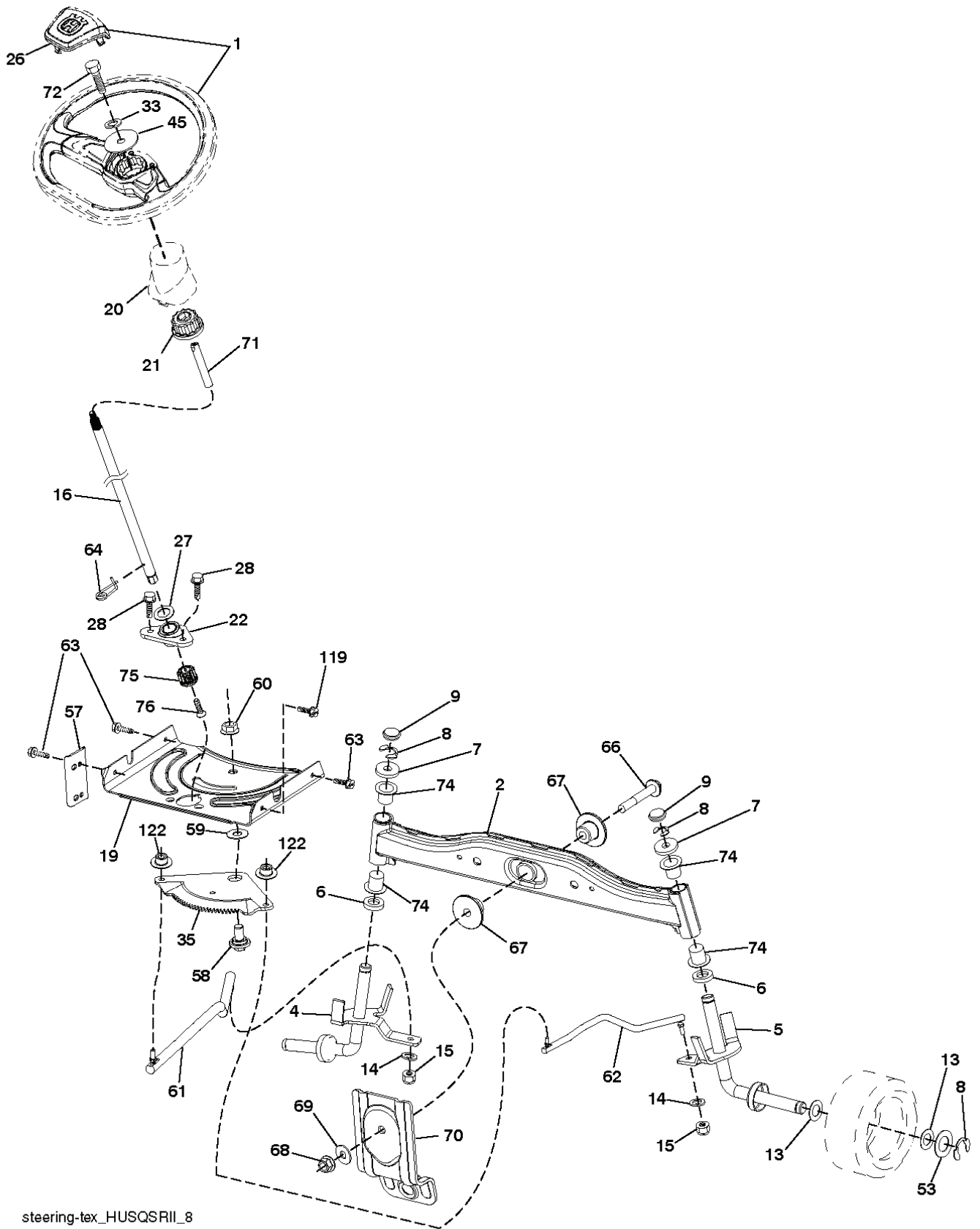




seat-tex\_6.5SL\_15

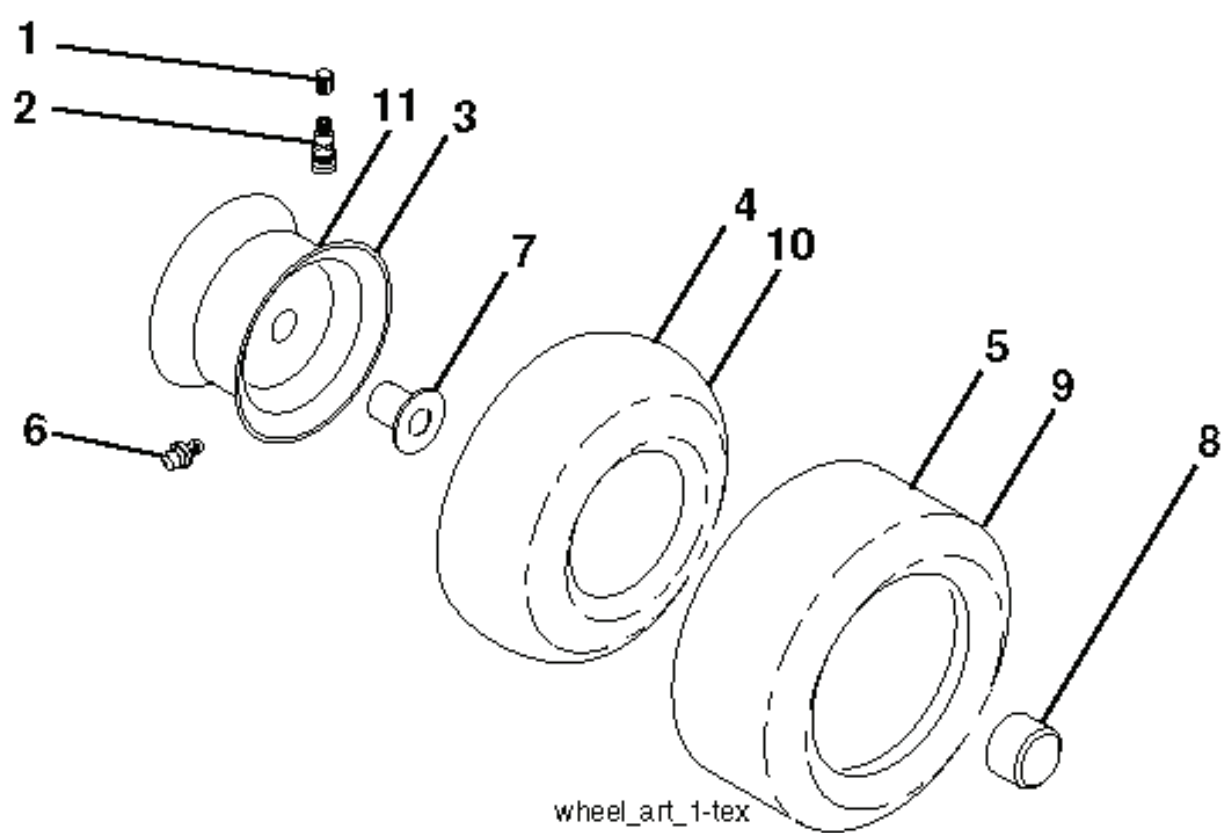
---

REF.	PART NO.	DESCRIPTION	REMARK	QTY.	KIT
1	532439709	SEAT		1	
2	532180166	BRACKET		1	
6	873800600	NUT		1	
7	589483501	SPRING		1	
8	532171877	BOLT		1	
10	596657402	PLATE		1	
21	587907801	BOLT		1	
37	596583702	NUT		1	
40	532197661	HANDLE		1	
41	532198200	SPRING		1	
43	874760612	BOLT		1	
44	501051801	WASHER		1	
46	588090401	BOLT		1	



steering-tex\_HUSQSR11\_8

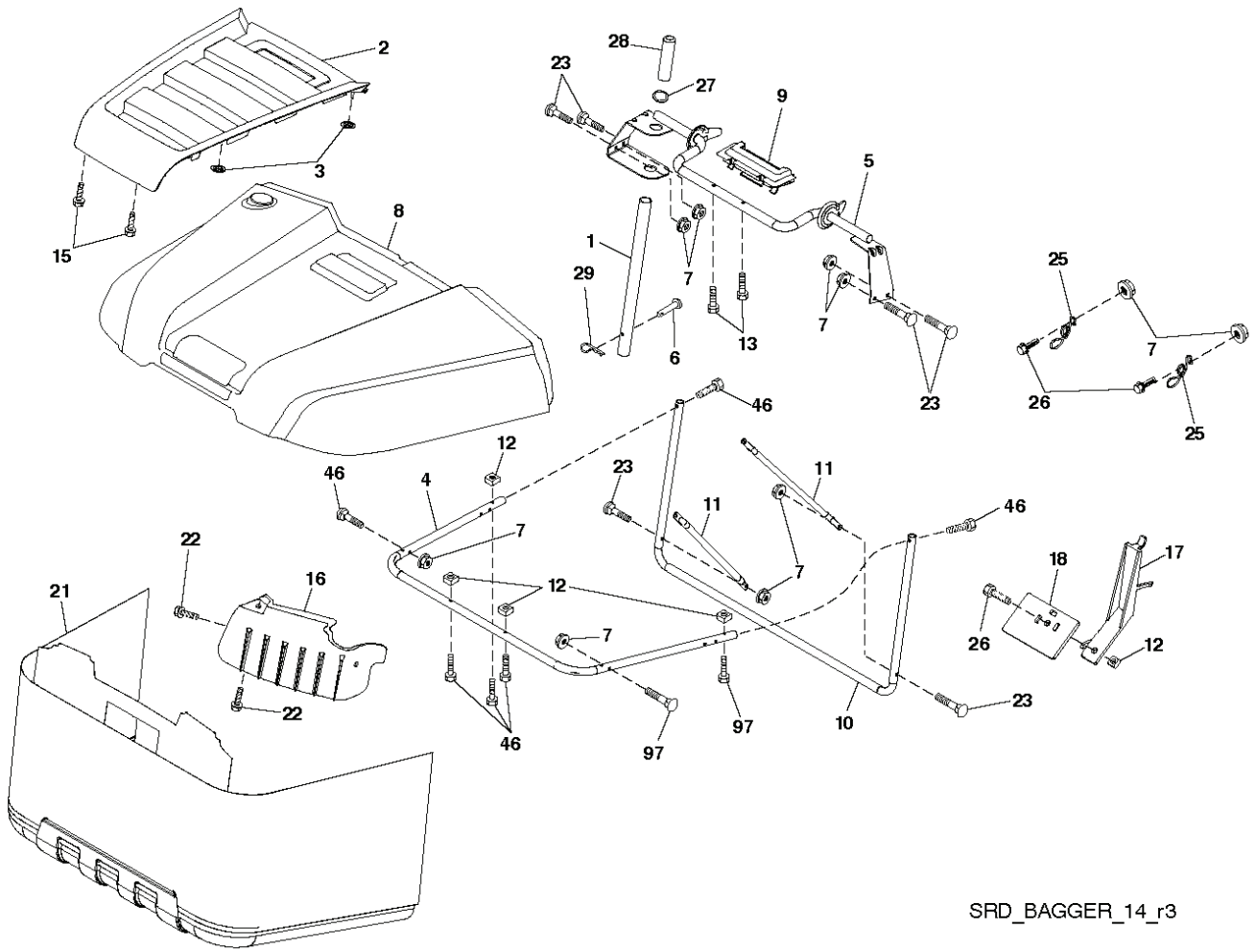
REF.	PART NO.	DESCRIPTION	REMARK	QTY.	KIT
1	597866101	SERVICE KIT		1	
2	532418168	AXLE		1	
4	532416845	SPINDLE		1	
5	532416846	SPINDLE		1	
6	532006266	WASHER		1	
7	532121748	WASHER		1	
8	812000029	RETAINER RING		1	
9	532121232	HUB CAP		1	
13	532121749	WASHER		1	
14	596238701	WASHER		1	
15	873540600	NUT		1	
16	585869202	SHAFT		1	
19	532194729	PLATE		1	
20	532441425	COVER		1	
21	532186737	ADAPTER		1	
22	585029802	BEARING		1	
26	594949101	CAP		1	
27	596933401	WASHER		1	
28	817000612	SCREW		1	
33	596238801	WASHER		1	
35	532194732	PLATE		1	
45	596040001	WASHER		1	
53	532188967	WASHER		1	
57	532407465	BRACKET		1	
58	532194747	BOLT		1	
59	532194748	WASHER		1	
60	873971000	NUT		1	
61	597047802	LINKAGE		1	
62	597047902	LINKAGE		1	
63	817000512	SCREW		1	
64	532199849	SPRING RETAINER		1	
66	871020748	BOLT		1	
67	532194737	BUSHING		1	
68	873900700	NUT		1	
69	532199162	WASHER		1	
70	532417065	BRACKET		1	
71	532190752	SHAFT		1	
72	596039701	BOLT		1	
74	532003366	BEARING		1	
75	580683701	PINION		1	
76	580683601	SCREW		1	
119	532170165	BOLT		1	
122	532444962	CAP		1	



wheel\_art\_1-tex

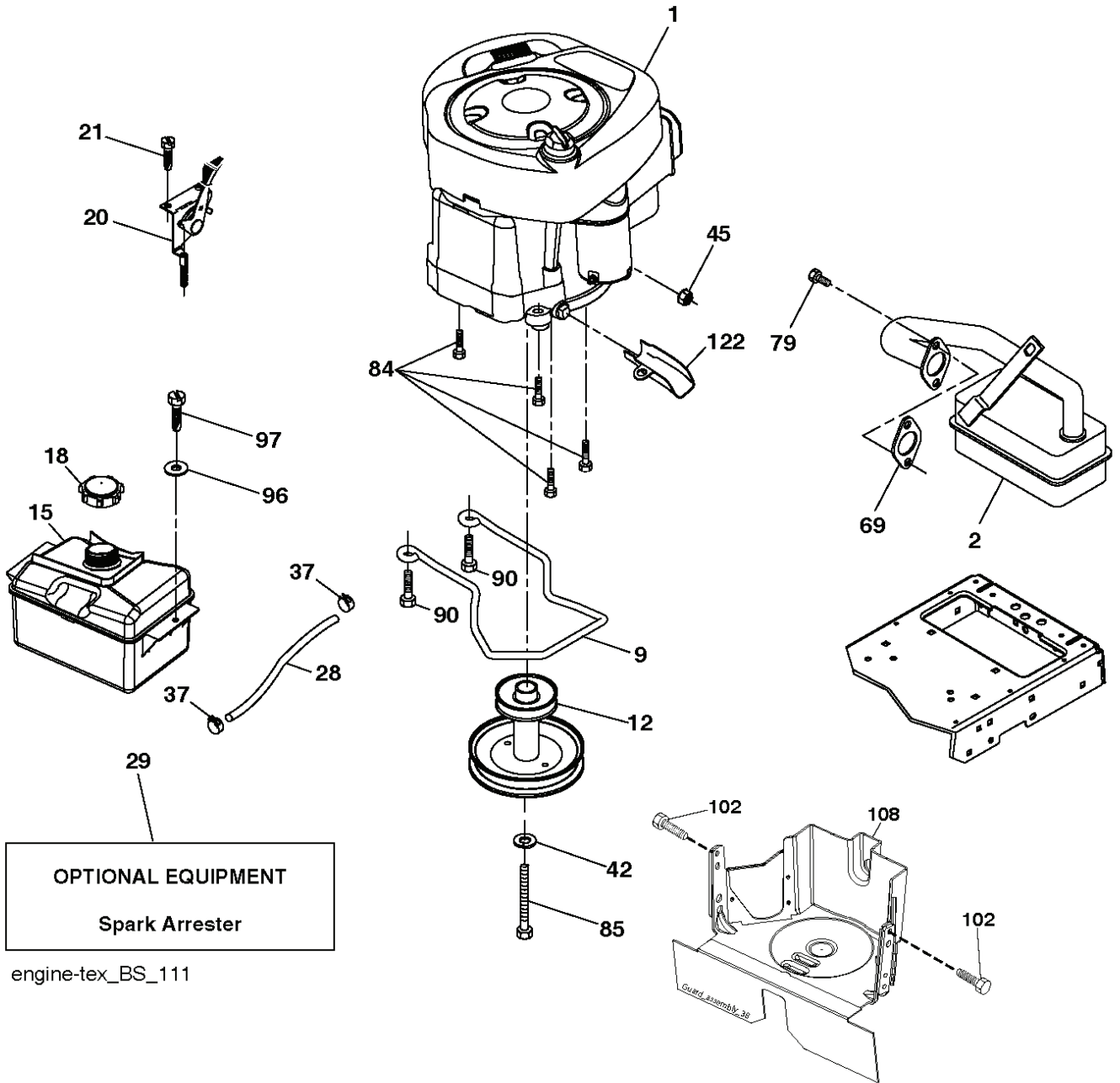
---

REF.	PART NO.	DESCRIPTION	REMARK	QTY.	KIT
1	532059192	CAP VALVE		1	
2	532065139	NIPPLE		1	
3	532425261	RIM	Front 6" x 3.25"	1	
4	532421652	TUBE	(Service Item Only)	1	
5	532123410	TIRE	Front 13" x 5.0"-6"	1	
6	532000278	NIPPLE	(Front Wheel Only)	1	
7	532009040	BEARING	(Front Wheel Only)	1	
8	532175039	HUB CAP		1	
9	532106230	TIRE	Rear 16" x 6.5"-8"	1	
10	532007154	HOSE	(Service Item Only)	1	
11	532425262	RIM	Rear 8" x 5.375"	1	
--	532144334	SEALING FOAM		1	



SRD\_BAGGER\_14\_r3

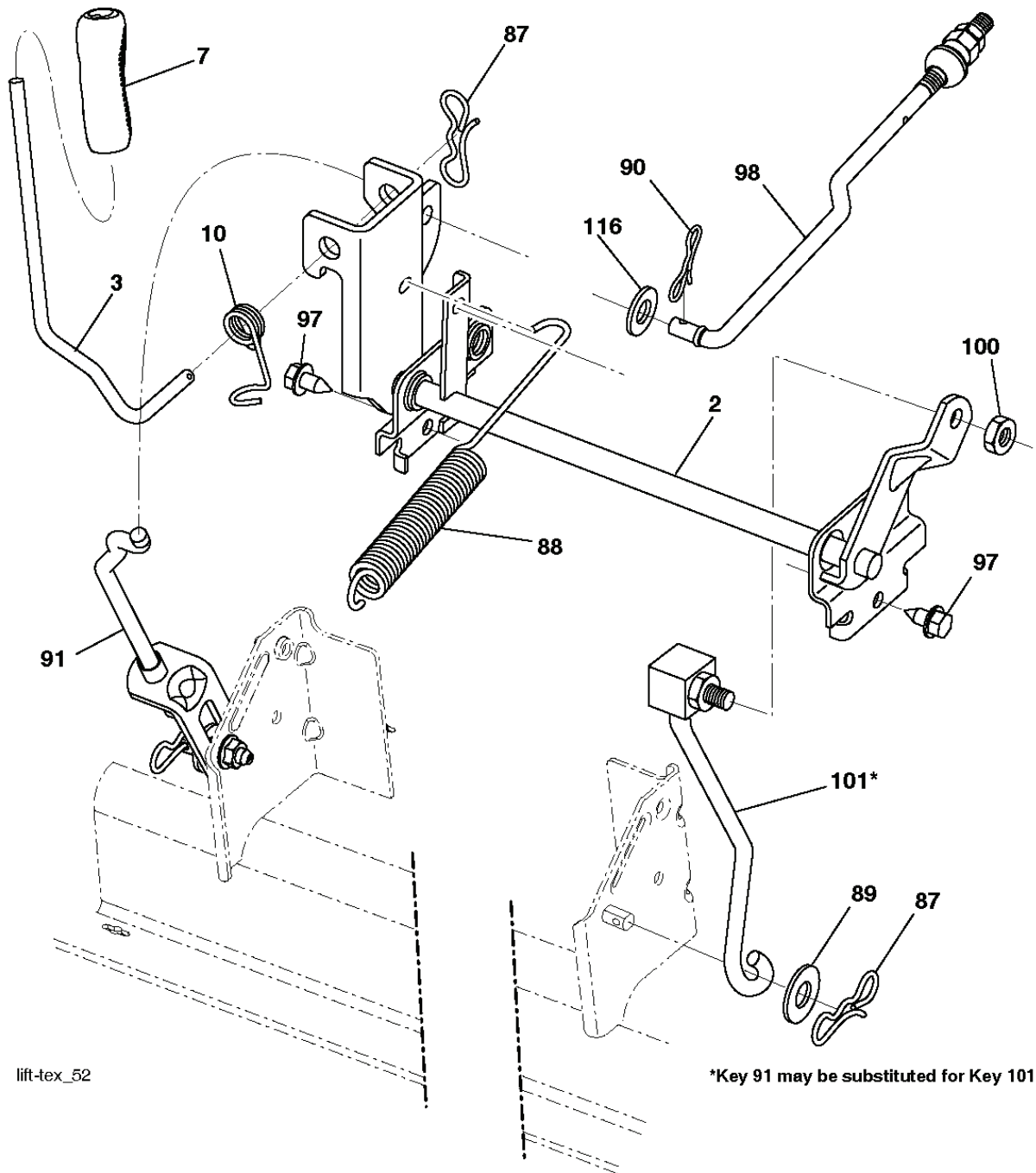
REF.	PART NO.	DESCRIPTION	REMARK	QTY.	KIT
1	532428610	TUBE		1	
2	532441358	BAGGER		1	
3	532413808	NUT		1	
4	579785401	HANDLE ASSY		1	
5	532417632	FRAME		1	
6	532126875	RIVET		1	
7	873900400	NUT		1	
8	532441261	COVER		1	
9	532417629	INSERT		1	
10	532417190	FRAME		1	
11	532417188	SUPPORT		1	
12	532421793	NUT SQUARE		1	
13	532421780	SCREW		1	
15	532421801	SCREW		1	
16	532421566	DEFLECTOR		1	
17	532421749	LEVER		1	
18	532421750	BRACKET		1	
21	532429981	GRASSBAG		1	
22	596134101	SCREW		1	
23	872040410	BOLT		1	
25	532421614	SPRING		1	
26	817490412	SCREW		1	
27	532421262	GROMMET		1	
28	532165787	HANDLE		1	
29	532194208	PIN		1	
46	501406601	SCREW		1	
97	590105701	SCREW		1	



**OPTIONAL EQUIPMENT**  
**Spark Arrester**

engine-tex\_BS\_111

REF.	PART NO.	DESCRIPTION	REMARK	QTY.	KIT
1	000000000	W/O DESCRIPTION	ENGINE B&S MODEL NO. 21R777-0100-B5 (597359501)	1	
2	532179758	MUFFLER		1	
9	582540302	KEEPER		1	
12	532140186	PULLEY		1	
15	581289901	TANK		1	
18	532430220	FUEL CAP		1	
20	587242601	THROTTLE		1	
21	596321701	SCREW		1	
28	532137040	HOSE		1	
29	532137180	SPARK ARRESTER KIT		1	
37	532123487	HOSE CLAMP		1	
42	596238901	WASHER		1	
45	596133601	LOCK NUT		1	
69	532165291	GASKET		1	
79	596134202	SCREW		1	
84	817060620	SCREW		1	
85	501606501	BOLT		1	
90	817000616	SCREW		1	
96	596135301	WASHER		1	
97	817670412	SCREW		1	
102	817000512	SCREW		1	
108	587179512	COVER		1	
122	532421922	EXTENSION PIPE		1	



lift-tex\_52

\*Key 91 may be substituted for Key 101

REF.	PART NO.	DESCRIPTION	REMARK	QTY.	KIT
2	532422027	SHAFT		1	
3	594018001	LEVER		1	
7	580962301	GRIP		1	
10	532196314	SPRING		1	
87	532194209	SPRING		1	
88	532410710	SPRING		1	
89	819191912	WASHER		1	
90	532194208	PIN		1	
91	589464803	LINK ASSY		1	
97	817000612	SCREW		1	
98	581506902	LINK ASSY		1	
100	595305901	NUT		1	
101	532407003	LINK		1	
116	594976501	WASHER		1	
	PART NO.		REMARK		KIT