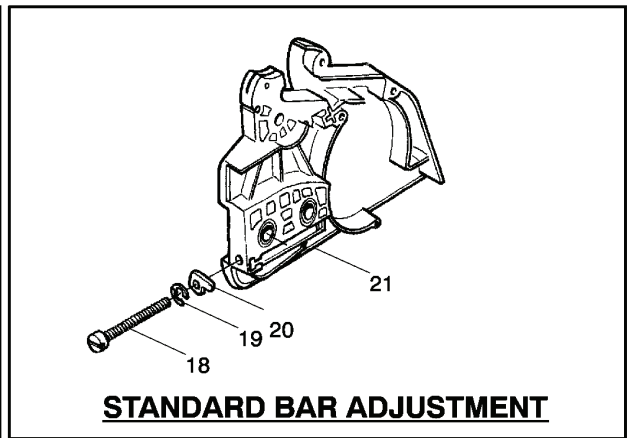
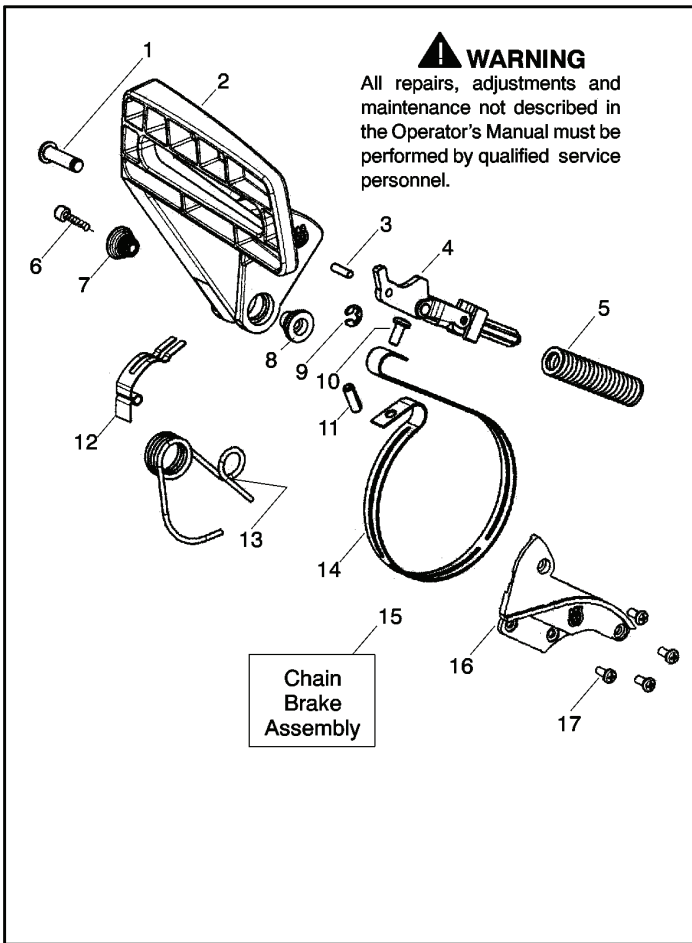


142, 20070100001-20082299999

SPARE PARTS LIST

PARTS LIST NO. 530165406		Husqvarna® PARTS LIST	CHAIN SAW MODEL(s) 142 Export
DATE 9/18/06	Replaces 530165406 - 05/24/06		Note: Illustration may differ from actual model due to design changes

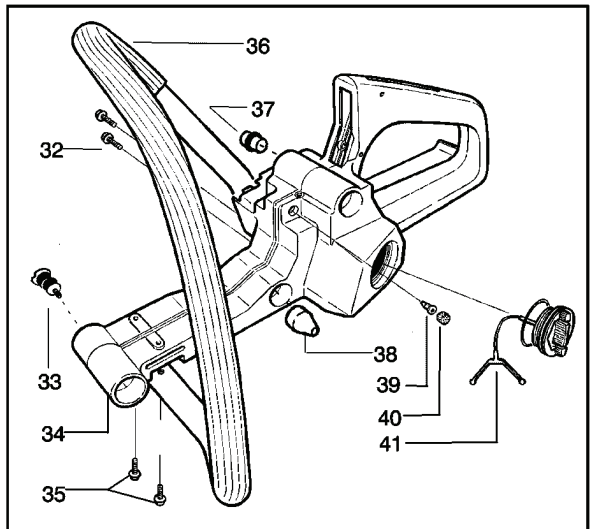
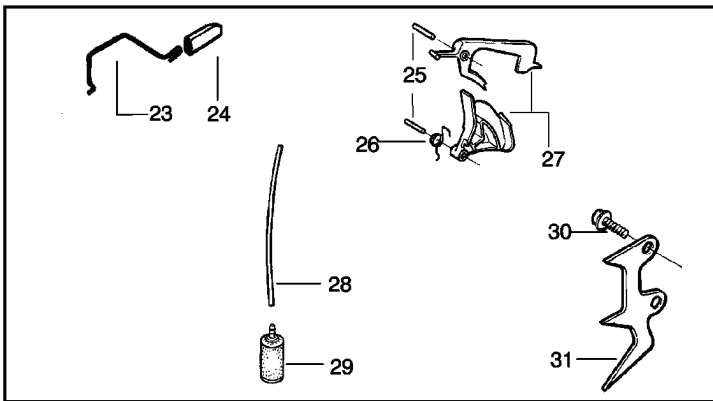
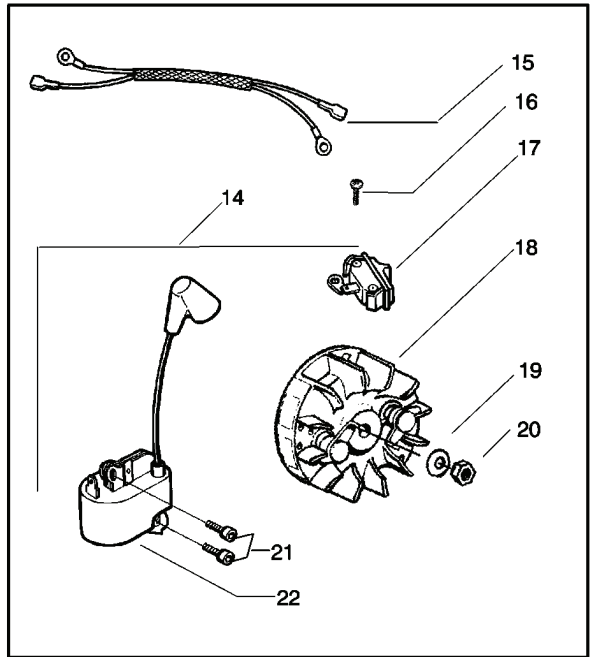
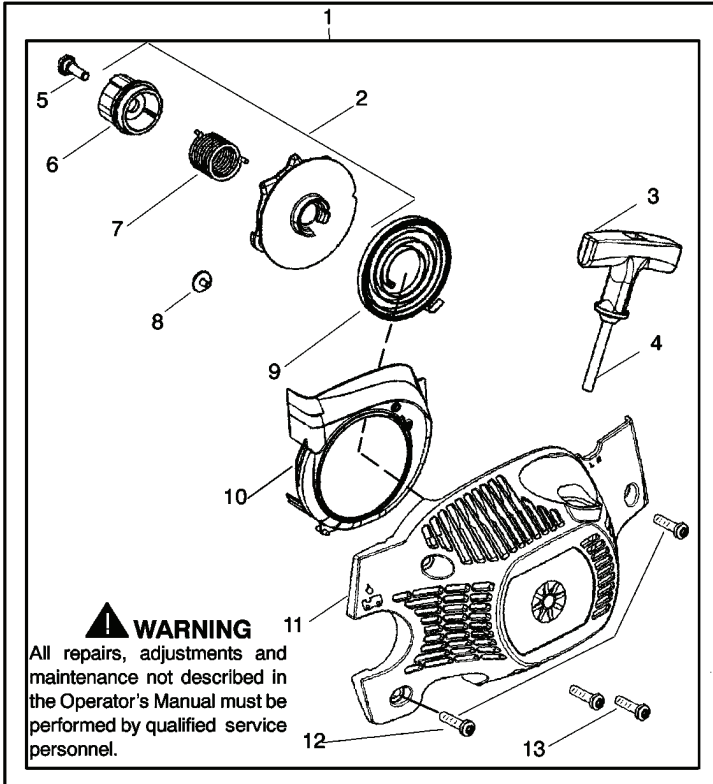


✓ = NEW PART NUMBER FOR THIS IPL

* = REFER TO THE SERVICE REFERENCE INDICATED FOR MORE INFORMATION. (LOCATED AT END OF IPL)

REF.	PART NO.	DESCRIPTION	REMARK	QTY.	KIT
1	530029879	SCREW		1	
2	530071348	LEVER		1	
3	530015915	SCREW		1	
4	530054741	KNEE LINK		1	
5	530016237	SPRING		1	
6	530016384	SCREW		1	
7	530056531	SHAFT PIVOT		1	
8	530029881	SHAFT PIVOT		1	
9	530024419	E-CLIP		1	
10	530015911	SCREW		1	
11	530015913	PEN		1	
12	530029878	SPRING		1	
13	530015910	SPRING		1	
14	530052232	BRAKE BAND		1	
15	530052232	BRAKE BAND		1	
530054802	530054802	CHAIN BRAKE ASSY		1	
16	530053035	COVER		1	
17	530015911	SCREW		1	
18	530016110	SCREW		1	
19	530038593	RETAINER		1	
20	530015826	PEN		1	
21	530015826	PEN		1	
530049483	530049483	CLUTCH COVER		1	
530031135	530031135	WRENCH		1	
530047839	530047839	DECAL		1	
545003026	545003026	LABEL		1	

PARTS LIST NO. 530165406		 Husqvarna® PARTS LIST	CHAIN SAW MODEL(s) 142 Export
DATE 9/18/06	Replaces 530165406 - 05/24/06		Note: Illustration may differ from actual model due to design changes



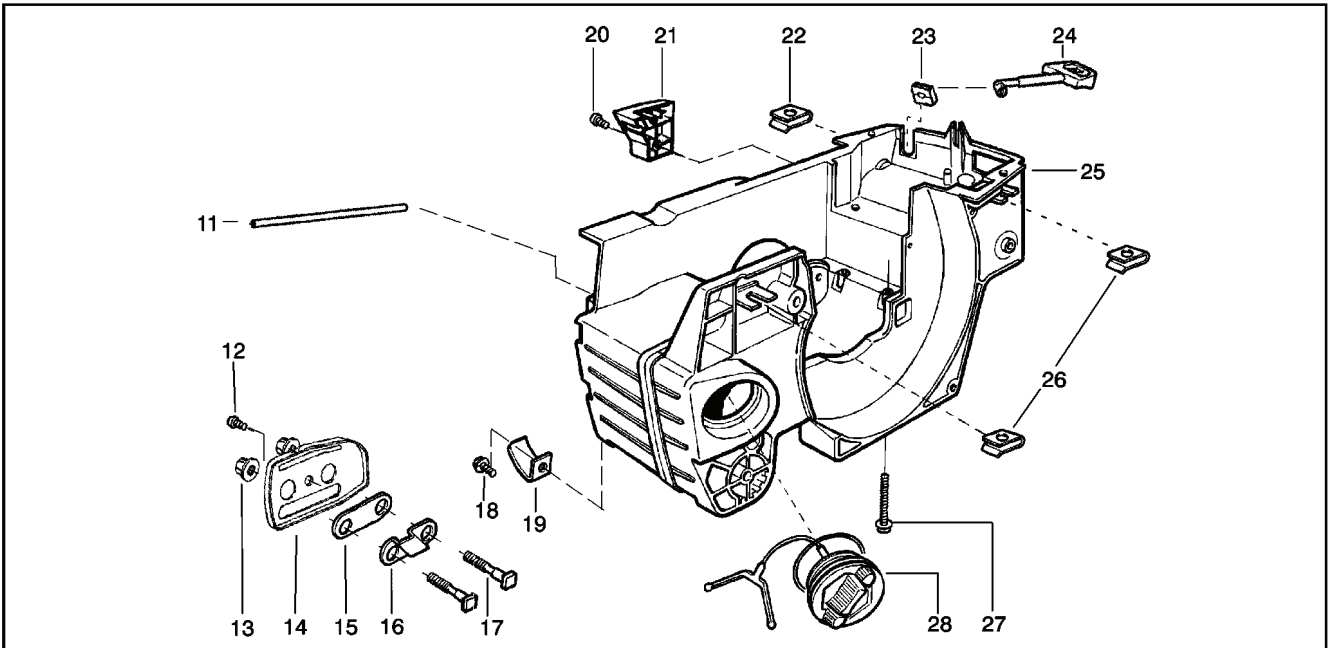
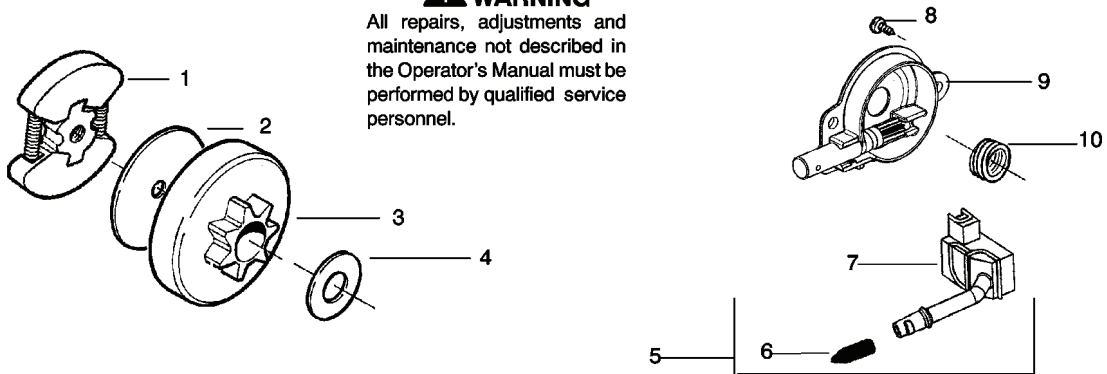
✓ = NEW PART NUMBER FOR THIS IPL * = REFER TO THE SERVICE REFERENCE INDICATED FOR MORE INFORMATION. (LOCATED AT END OF IPL)
● = THESE PARTS ARE ILLUSTRATED FOR CLARITY. ORDER COMPLETE ASSEMBLY.

REF.	PART NO.	DESCRIPTION	REMARK	QTY.	KIT
1	530071968	STARTER DEVICE		1	
2	530071966	STARTER PULLEY		1	
3	530150318	HANDLE		1	
4	530069232	STARTER ROPE		1	
5	530021179	SCREW		1	
6	530059677	SLEEVE		1	
7	530021180	SPRING		1	
8	530016080	SCREW		1	
9	530042095	SPRING		1	
10	530059959	BAFFLE		1	
11	530059958	STARTER		1	
12	530015893	SCREW		1	
13	530015892	SCREW		1	
14	530071967	IGNITION MODULE		1	
15	530403257	CABLE		1	
16	530015896	SCREW		1	
17	503717901	STOP SWITCH		1	
18	530059637	FLYWHEEL ASSY		1	
19	530015127	WASHER		1	
20	530016134	NUT		1	
21	545003902	SCREW		1	
22	530039239	IGNITION MODULE		1	
23	530029869	THROTTLE ROD		1	
24	530029863	HUB CAP		1	
25	530029860	SCREW		1	
26	530029861	SPRING		1	
27	530069587	THROTTLE TRIGGER		1	
28	530069247	HOSE		1	
29	530014497	FILTER		1	
30	530016439	SCREW		1	
31	530014381	FELLING DOG		1	
32	530015940	SCREW		1	
33	530029870	INSULATOR		1	
34	530052446	TANK		1	
35	530015843	SCREW		1	
36	530059961	HANDLE		1	
37	530052439	MOVEMENT LIMITER		1	
38	530029984	LIMITER		1	
39	530026119	CHECK VALVE		1	
40	530038264	PLUG		1	
41	530071266	FUEL CAP		1	

PARTS LIST NO. 530165406		Husqvarna® PARTS LIST	CHAIN SAW MODEL(S) 142 Export
DATE 9/18/06	Replaces 530165406 - 05/24/06		Note: Illustration may differ from actual model due to design changes

⚠ WARNING

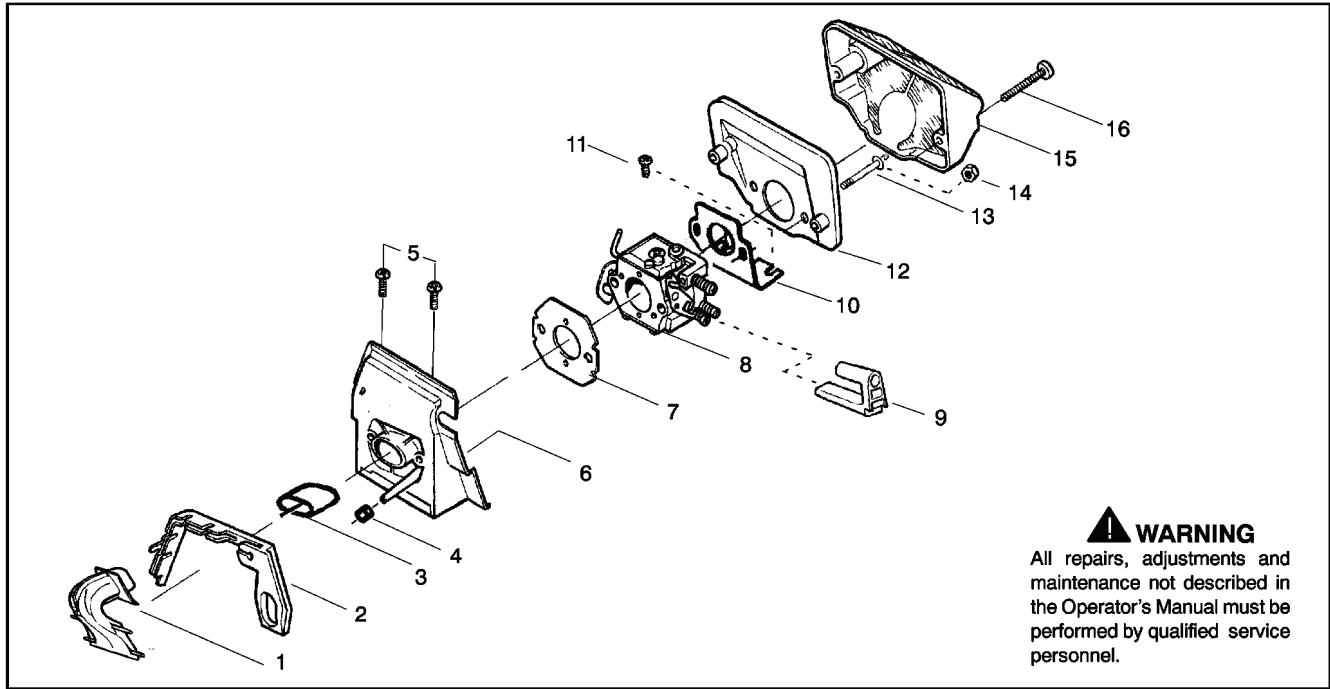
All repairs, adjustments and maintenance not described in the Operator's Manual must be performed by qualified service personnel.



✓ = NEW PART NUMBER FOR THIS IPL ★ = REFER TO THE SERVICE REFERENCE INDICATED FOR MORE INFORMATION. (LOCATED AT END OF IPL)
● = THESE PARTS ARE ILLUSTRATED FOR CLARITY. ORDER COMPLETE ASSEMBLY.

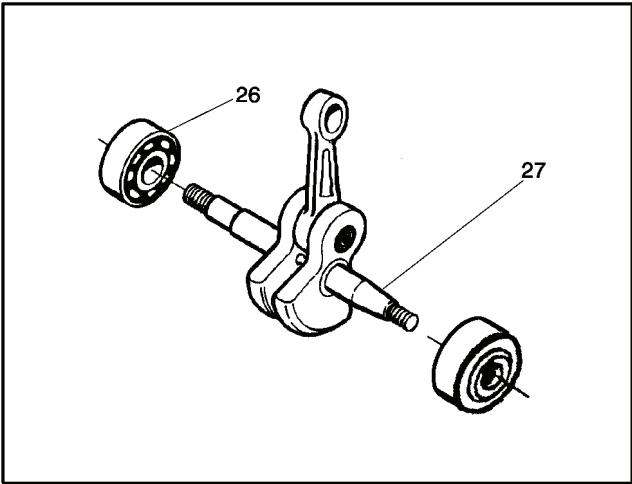
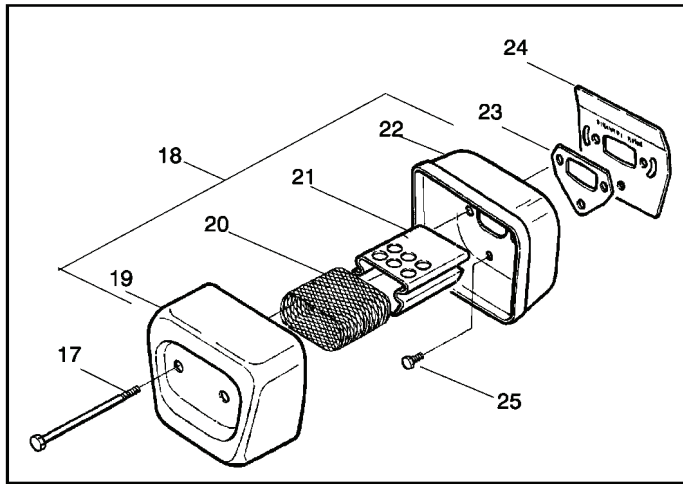
REF.	PART NO.	DESCRIPTION	REMARK	QTY.	KIT
1	530014949	CLUTCH		1	
2	530015611	WASHER		1	
3	530047061	CLUTCH DRUM ASSY		1	
3	530048132	CLUTCH DRUM		1	
4	530015907	WASHER		1	
5	530014776	OIL PICK-UP		1	
6	530056533	SCREEN		1	
7	545037101	SEALING		1	
8	530015896	SCREW		1	
9	530014410	OIL PUMP		1	
10	530029833	PUMP		1	
11	545033501	HOSE		1	
12	530015896	SCREW		1	
13	530015917	NUT		1	
14	530047855	PLATE		1	
15	530019228	SEALING		1	
16	530036043	SUPPORT		1	
17	530015877	BOLT		1	
18	530015878	SCREW		1	
19	530029850	CHAIN CATCHER		1	
20	530015893	SCREW		1	
21	530052428	COVER		1	
22	530015922	NUT		1	
23	530029830	GUIDE		1	
24	530029831	CHOKE CONTROL		1	
25	530071991	CRANKCASE		1	
26	530015922	NUT		1	
27	530016037	SCREW		1	
28	501765602	TANK CAP ASSY		1	

PARTS LIST NO. 530165406		Husqvarna® PARTS LIST	CHAIN SAW MODEL(S) 142 Export
DATE 9/18/06	Replaces 530165406 - 05/24/06		Note: Illustration may differ from actual model due to design changes



WARNING

All repairs, adjustments and maintenance not described in the Operator's Manual must be performed by qualified service personnel.



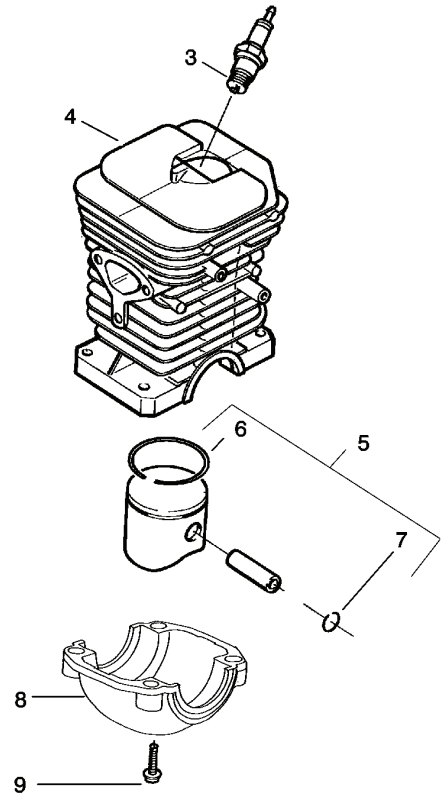
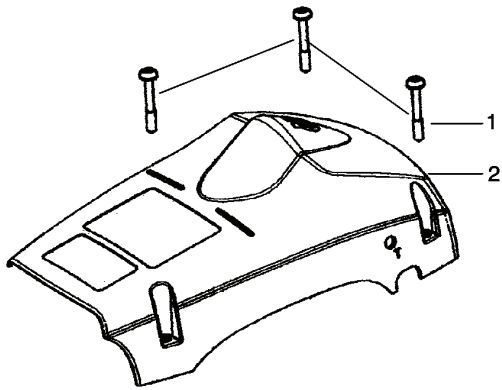
✓ = NEW PART NUMBER FOR THIS IPL
● = THESE PARTS ARE ILLUSTRATED FOR CLARITY. ORDER COMPLETE ASSEMBLY.

REF.	PART NO.	DESCRIPTION	REMARK	QTY.	KIT
1	530029813	JET		1	
2	530019203	SEALING		1	
3	530029814	PIPE		1	
4	530053435	HOSE		1	
5	530015814	SCREW		1	
6	530037465	ADAPTER		1	
7	530019172	GASKET		1	
8	530071987	CARBURETTOR		1	
9	530035587	PASSAGE		1	
10	530047767	SUPPORT		1	
11	530015896	SCREW		1	
12	530036582	HOLDER		1	
13	530015968	SCREW		1	
14	530016008	NUT		1	
15	545057801	AIR FILTER COVER		1	
16	530015899	SCREW		1	
17	530016044	BOLT		1	
18	530069415	MUFFLER		1	
19	530037254	MUFFLER		1	
20	530029810	SCREEN		1	
21	530037246	FLAME PROTECTION		1	
22	530037251	MUFFLER		1	
23	530019205	GASKET		1	
24	530037640	PLATE		1	
25	530015902	SCREW		1	
26	530056363	BEARING		1	
27	530029794	CRANKSHAFT		1	

PARTS LIST NO. 530165406		Husqvarna® PARTS LIST	CHAIN SAW MODEL(s) 142 Export
DATE 9/18/06	Replaces 530165406 - 05/24/06		Note: Illustration may differ from actual model due to design changes

⚠ WARNING

All repairs, adjustments and maintenance not described in the Operator's Manual must be performed by qualified service personnel.

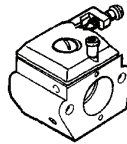


✓ = NEW PART NUMBER FOR THIS IPL ★ = REFER TO THE SERVICE REFERENCE INDICATED FOR MORE INFORMATION. (LOCATED AT END OF IPL)

REF.	PART NO.	DESCRIPTION	REMARK	QTY.	KIT
1	530016154	SCREW		1	
2	530059960	CYLINDER COVER		1	
3	952030150	SPARK PLUG		1	
4	530069941	CYLINDER		1	
5	530069454	PISTON		1	
6	530029982	PISTON RING		1	
7	530015697	LOCKING RING		1	
8	530049794	CRANKCASE		1	
9	530015897	SCREW		1	

PARTS LIST NO. 530165406		Husqvarna® PARTS LIST	CHAIN SAW MODEL(s) 142 Export
DATE 9/18/06	Replaces 530165406 - 05/24/06		Note: Illustration may differ from actual model due to design changes

Kit - Carburetor Assembly No. 530071987 - Zama W-29



Carb
Repair
Kit

1

⚠ WARNING

All repairs, adjustments and maintenance not described in the Operator's Manual must be performed by qualified service personnel.

✓ = NEW PART NUMBER FOR THIS IPL * = REFER TO THE SERVICE REFERENCE INDICATED FOR MORE INFORMATION. (LOCATED AT END OF IPL)
● = THESE PARTS ARE ILLUSTRATED FOR CLARITY. ORDER COMPLETE ASSEMBLY.

REF.	PART NO.	DESCRIPTION	REMARK	QTY.	KIT
1	530035269	REPAIR KIT		1	