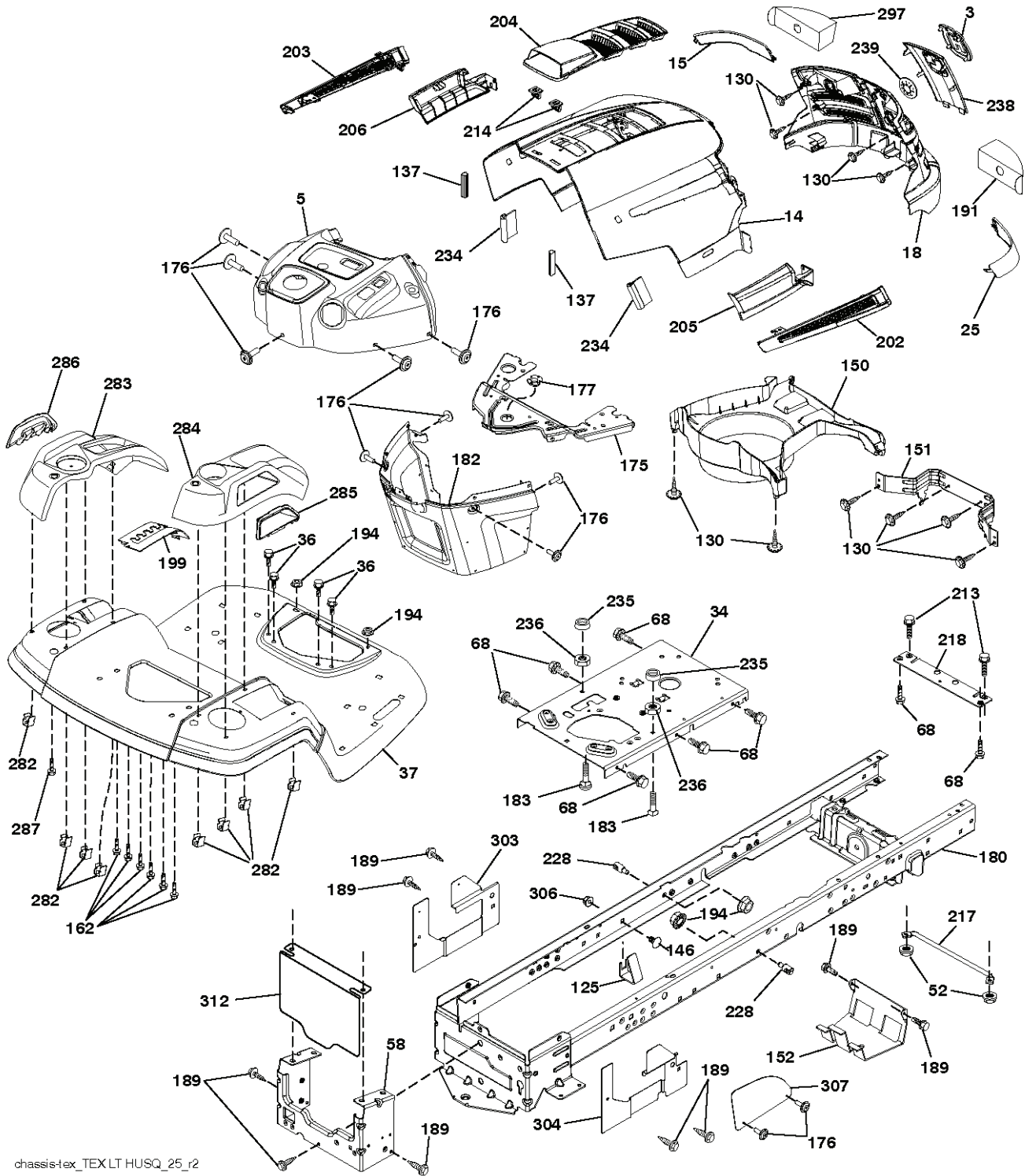
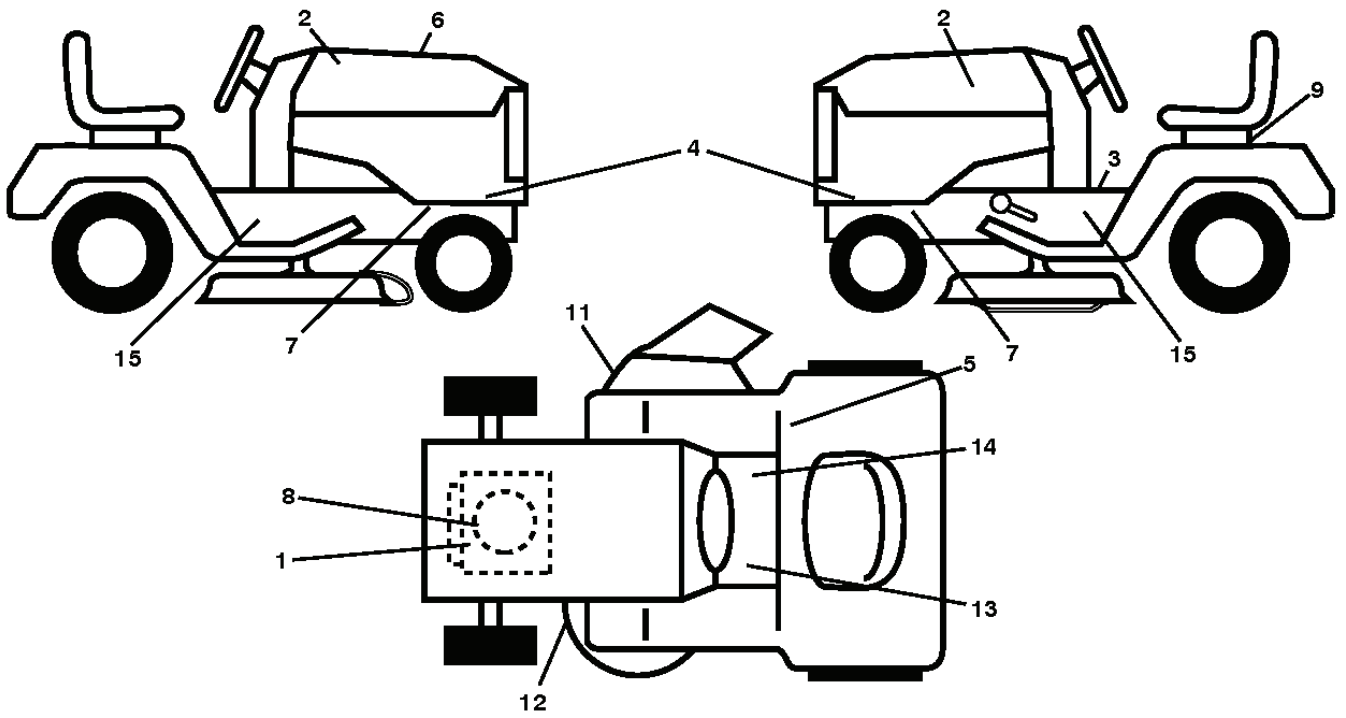


LTH126, 96041020502, 2012-06

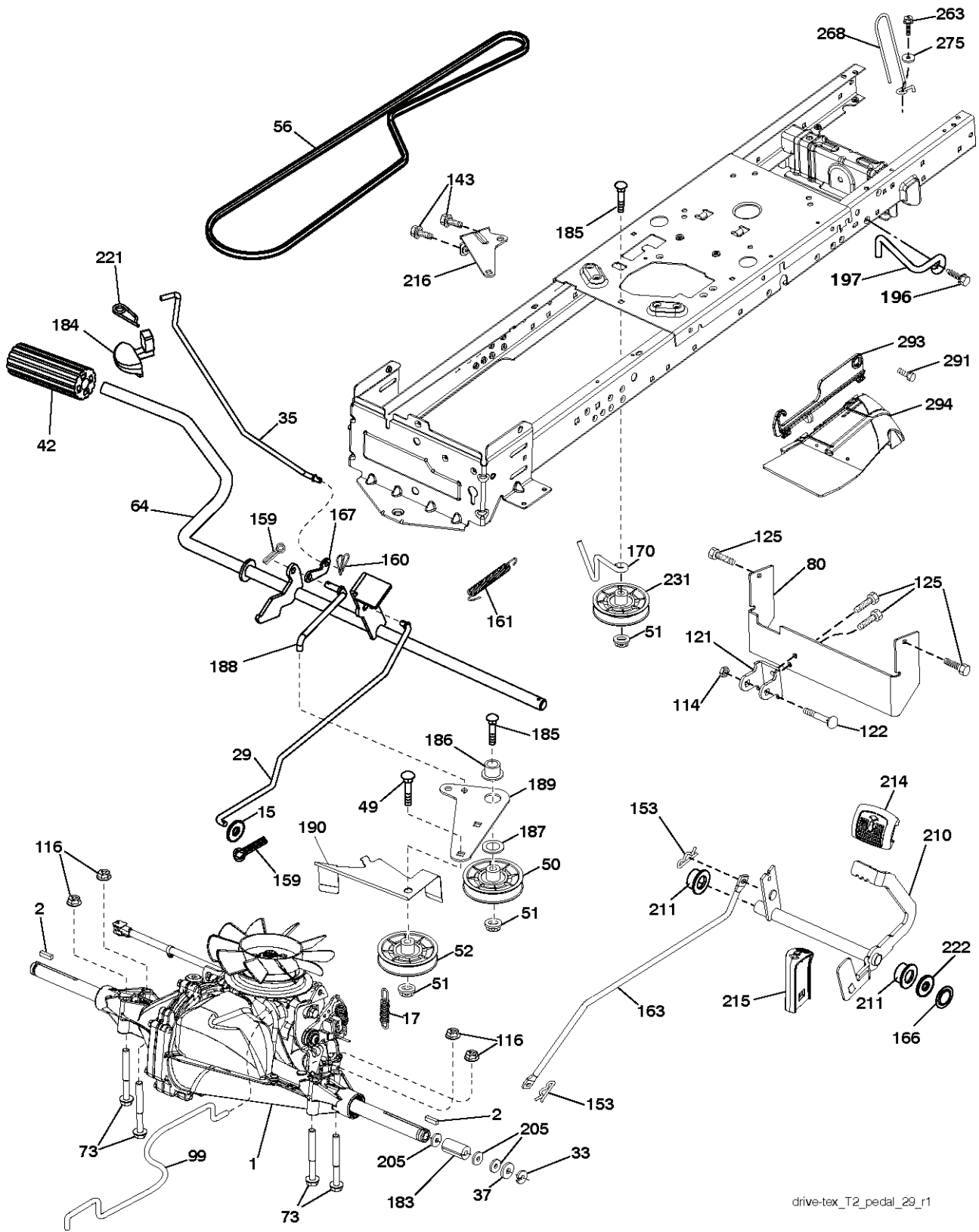
SPARE PARTS LIST



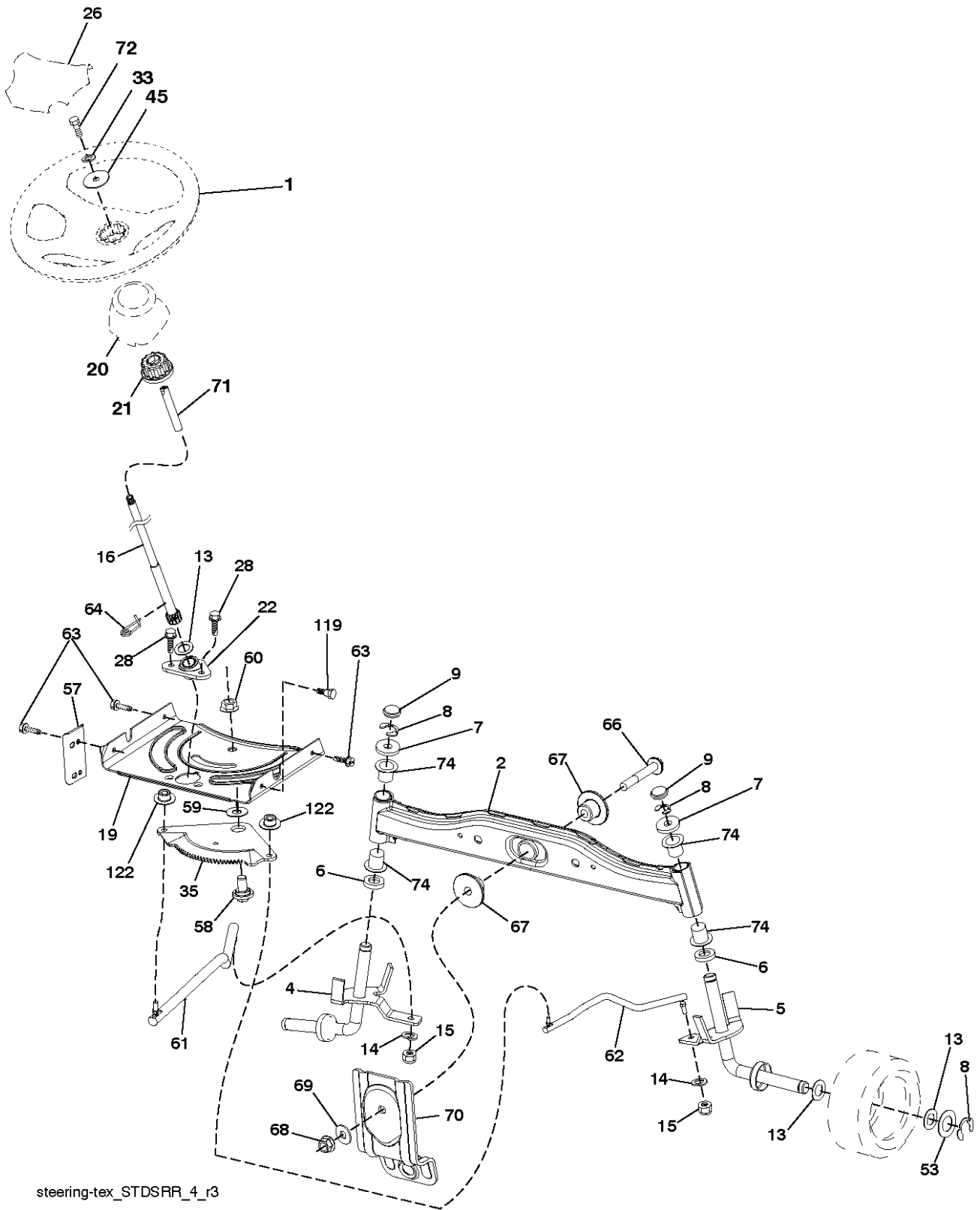
REF.	PART NO.	DESCRIPTION	REMARK	QTY.	KIT
3	581056301	LOGOTYPE		1	
5	532438966	DASH		1	
14	532411073	HOOD		1	
15	532441428	LENS		1	
18	532441368	GRILLE		1	
25	532441427	LENS		1	
34	532447253	PLATE		1	
36	817060512	SCREW		1	
37	532441266	FENDER		1	
52	873680500	NUT		1	
58	532412280	PLATE		1	
68	817490508	SCREW		1	
125	581684801	CLIP		1	
130	532416358	SCREW		1	
137	532407590	DAMPING PIECE		1	
146	581857901	BOLT		1	
150	532406662	AIR DUCT		1	
151	532407807	BRACKET		1	
152	532199535	SHIELD		1	
162	532142432	SCREW		1	
175	532199472	PLATE		1	
176	532400776	SCREW		1	
177	532195228	BUSHING		1	
180	532414685	CHASSIS		1	
182	532407176	DASH		1	
183	874520520	BOLT		1	
189	817000512	SCREW		1	
191	532416501	INSERT		1	
194	873900500	NUT		1	
199	532413485	PLATE		1	
202	532441342	COVER		1	
203	532441343	COVER		1	
204	532441375	COVER		1	
205	532441344	SKIRT		1	
206	532441345	SKIRT		1	
213	874760512	BOLT		1	
214	532199145	CLIP		1	
217	532409167	ROD		1	
218	532196395	PLATE		1	
228	532195161	STUD		1	
234	532404742	DAMPING PIECE		1	
235	532406129	SPACER		1	
236	873930500	NUT		1	
238	532441374	SPARE PARTS		1	
239	532404883	CLIP		1	
282	532414110	CLIP		1	
283	532442039	DECK		1	
284	532439823	CONSOLE		1	
285	532416315	CONSOLE		1	
286	532416317	CONSOLE		1	
287	817600406	SCREW		1	
297	532406665	INSERT		1	
303	532425151	SHIELD		1	
304	532425152	SHIELD		1	
306	873900600	NUT		1	
307	532424570	SHIELD		1	
312	532425926	SHIELD		1	



REF.	PART NO.	DESCRIPTION	REMARK	QTY.	KIT
1	532196841	DECAL		1	
2	581627301	DECAL		1	
3	532400389	LABEL		1	
4	532437919	DECAL		1	
5	532180432	DECAL		1	
6	532442547	DECAL		1	
7	532159736	DECAL		1	
8	532437410	DECAL		1	
9	532145005	DECAL		1	
11	532425112	DECAL		1	
12	532421543	DECAL		1	
13	532159737	DECAL		1	
14	532140837	DECAL		1	
15	532401146	DECAL		1	
--	532166960	DECAL		1	
--	532162598	DECAL		1	
--	532439681	PLATE		1	
--	532439682	PAD		1	

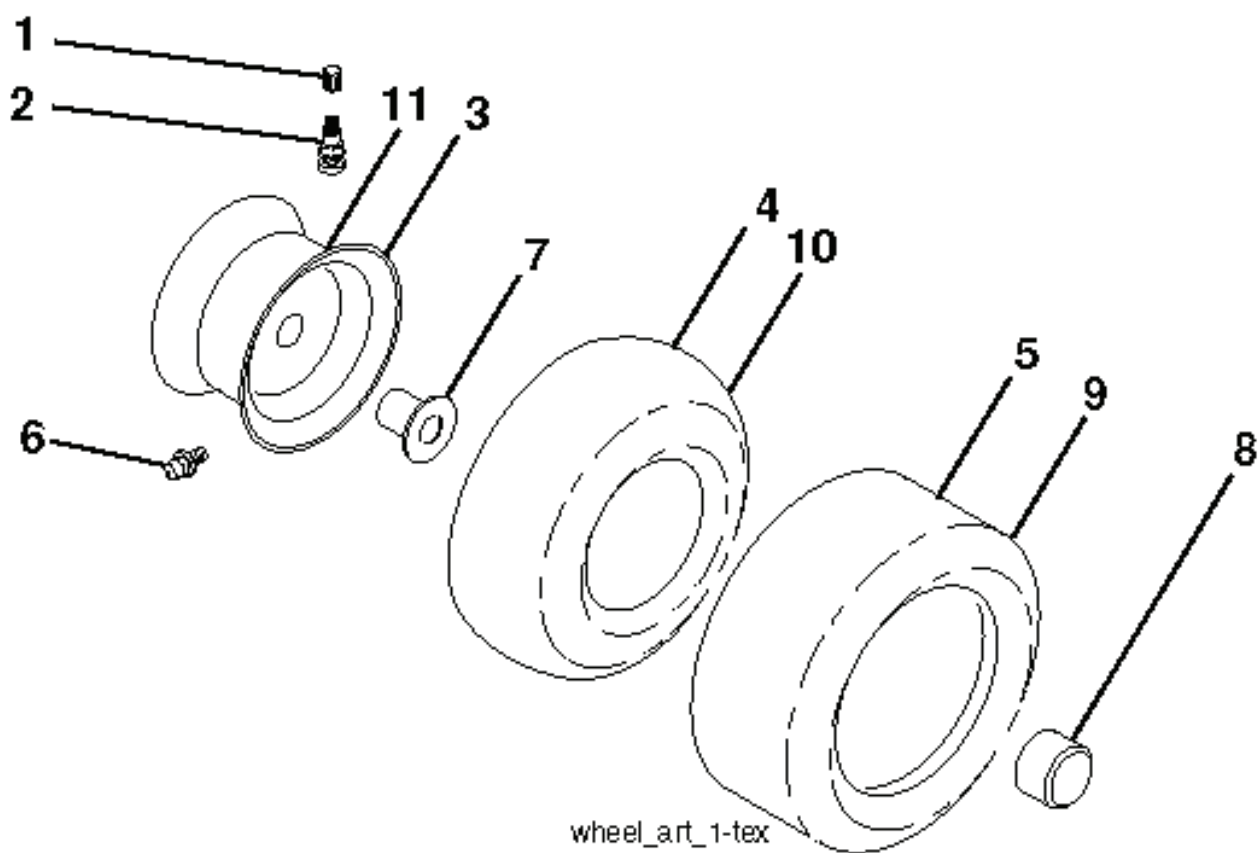


REF.	PART NO.	DESCRIPTION	REMARK	QTY.	KIT
1	000000000	W/O DESCRIPTION	Transaxle, Hydro T2-BABC-1X2B-1GX1(421645)	1	
2	532123583	KEY		1	
15	819131316	WASHER		1	
17	532197296	SPRING		1	
29	532423239	ROD		1	
33	812000001	RETAINER RING		1	
35	532401031	ROD		1	
37	532121749	WASHER		1	
42	532124872	PEDAL RUBBER		1	
49	872110614	BOLT		1	
50	532194327	PULLEY		1	
51	873900600	NUT		1	
52	532194326	PULLEY		1	
56	532125907	BELT		1	
64	532197865	SHAFT		1	
73	874490544	SCREW		1	
80	581550701	STRAP		1	
99	532408418	ROD		1	
114	873800500	LOCK NUT		1	
116	873900500	NUT		1	
121	532175611	CHAPPE DE FIXATION		1	
122	872010520	BOLT		1	
125	817000512	SCREW		1	
143	817490508	SCREW		1	
153	532124788	RETAINER RING		1	
159	876020412	SPLIT PIN		1	
160	532169484	PIN		1	
161	532105709	SPRING		1	
163	532413322	ROD.CONTROL.PCH.T2.TEX		1	
166	532429164	NUT		1	
167	532405257	LATCH		1	
170	532413430	BELT GUIDE		1	
183	532156972	SPACER		1	
184	532441407	BRAKE		1	
185	872110622	BOLT		1	
186	532194321	SPACER		1	
187	819133210	WASHER		1	
188	532194323	LINK		1	
189	532194317	PLATE		1	
190	532194318	BELT GUIDE		1	
196	817000616	SCREW		1	
197	532195804	BRACKET		1	
205	532121748	WASHER		1	
210	532400980	PEDAL ARM		1	
211	532120183	BEARING		1	
214	532421263	PAD		1	
215	532401723	PEDAL		1	
216	532196131	BRACKET		1	
221	532403187	SPRING		1	
222	879212010	WASHER		1	
231	532407287	PULLEY		1	
263	817000612	SCREW		1	
268	532182402	PROTECTOR		1	
275	819131614	WASHER		1	
291	532170165	BOLT		1	
293	532422548	HINGE		1	
294	532430303	GUARD		1	



steering-tex_STDSRR_4_r3

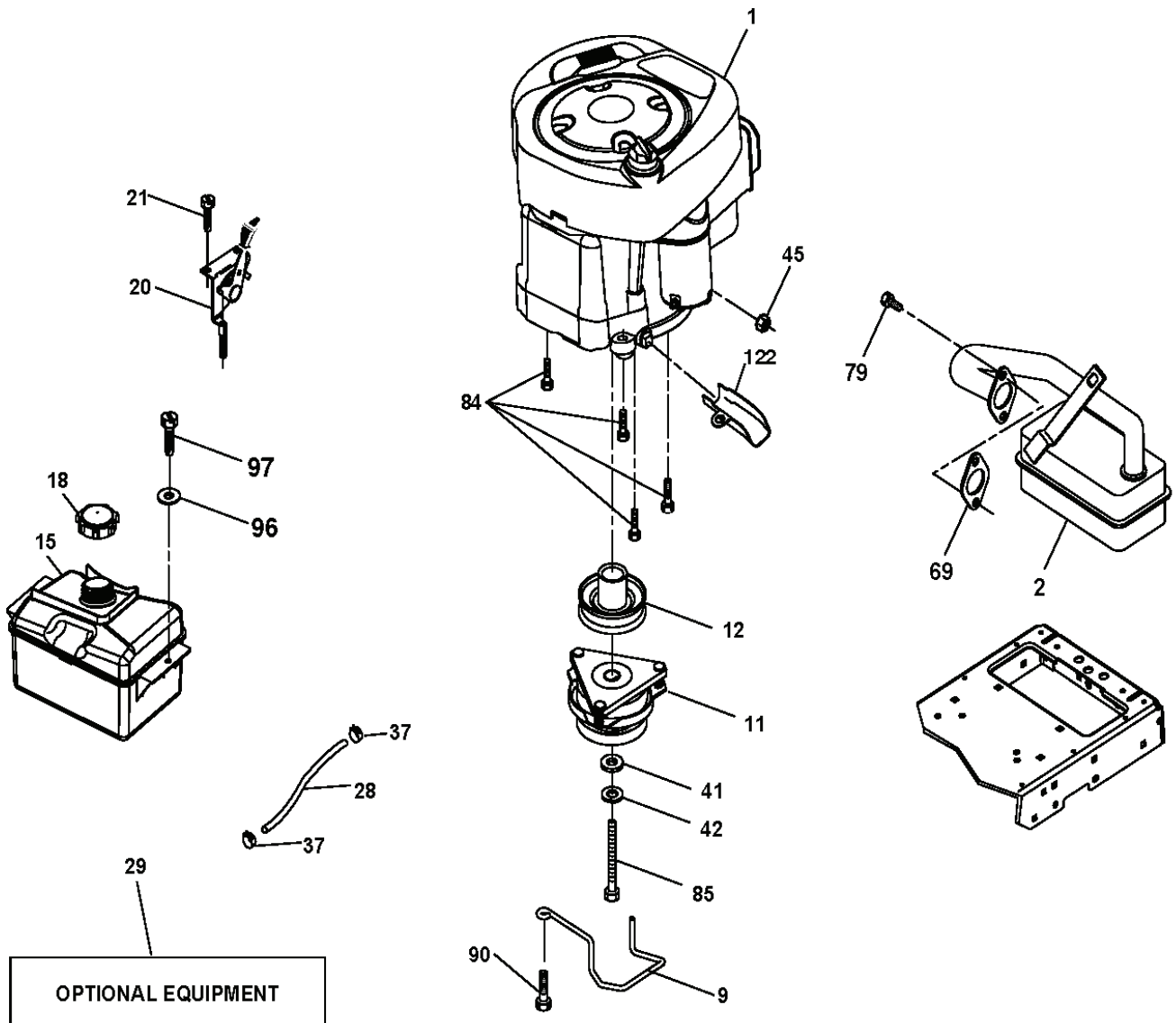
REF.	PART NO.	DESCRIPTION	REMARK	QTY.	KIT
1	532439740	STEERING WHEEL		1	
2	532418168	AXLE		1	
4	532416845	SPINDLE		1	
5	532416846	SPINDLE		1	
6	532124931	WASHER		1	
7	532121748	WASHER		1	
8	812000029	RETAINER RING		1	
9	532121232	HUB CAP		1	
13	532121749	WASHER		1	
14	810040600	WASHER		1	
15	873540600	NUT		1	
16	532429373	SHAFT		1	
19	532194729	PLATE		1	
20	532441425	COVER		1	
21	532186737	ADAPTER		1	
22	532420537	SUPPORT		1	
26	532439743	HUB CAP		1	
28	817000612	SCREW		1	
33	810040500	WASHER		1	
35	532194732	PLATE		1	
45	819113812	WASHER		1	
53	532188967	WASHER		1	
57	532407465	BRACKET		1	
58	532194747	BOLT		1	
59	532194748	WASHER		1	
60	873971000	NUT		1	
61	532194740	LINK		1	
62	532194741	LINK		1	
63	817000512	SCREW		1	
64	532199849	SPRING RETAINER		1	
66	871020748	BOLT		1	
67	532194737	BUSHING		1	
68	873900700	NUT		1	
69	532199162	WASHER		1	
70	532417065	BRACKET		1	
71	532190752	SHAFT		1	
72	532428982	BOLT		1	
74	532124937	BEARING COL. STRG.		1	
119	532170165	BOLT		1	
122	532444962	CAP		1	



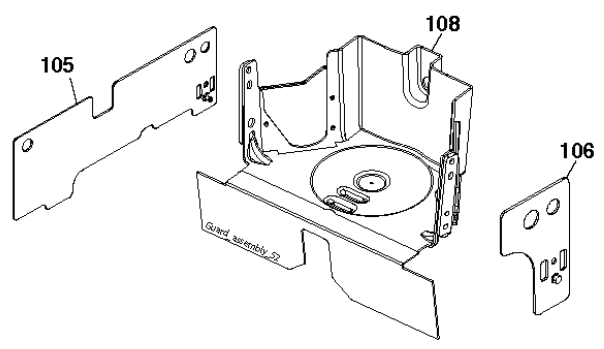
wheel_art_1-tex

REF.	PART NO.	DESCRIPTION	REMARK	QTY.	KIT
1	532059192	CAP VALVE		1	
2	532065139	NIPPLE		1	
3	532425261	RIM	Front 6" x 3.25"	1	
4	532421652	TUBE	(Service Item Only)	1	
5	532123410	TIRE	Front 13" x 5.0"-6"	1	
6	532124957	FITTING	(Front Wheel Only)	1	
7	532124959	BEARING	(Front Wheel Only)	1	
8	532175039	HUB CAP		1	
9	532106230	TIRE	Rear 16" x 6.5"-8"	1	
10	532007154	HOSE	(Service Item Only)	1	
11	532425262	RIM	Rear 8" x 5.375"	1	
--	532144334	SEALING FOAM		1	

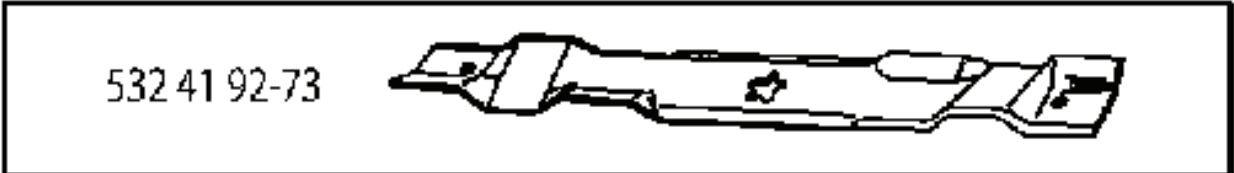
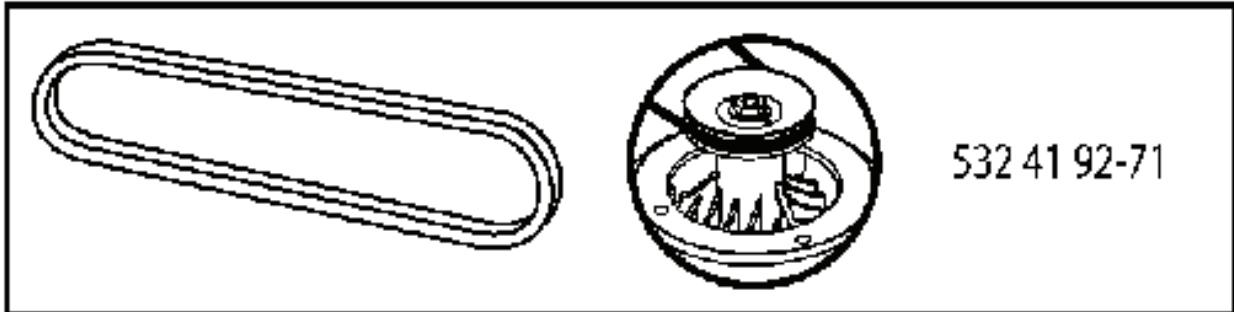
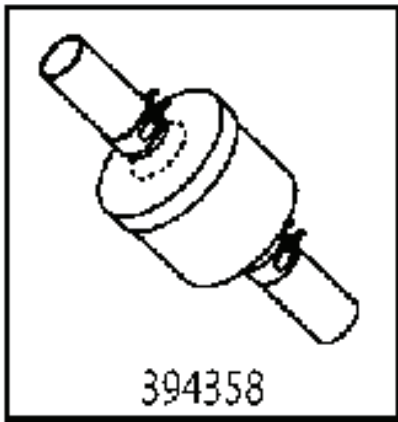
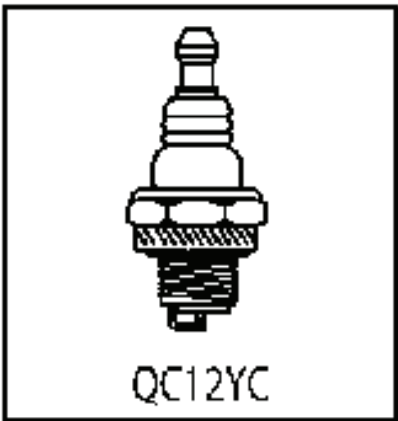
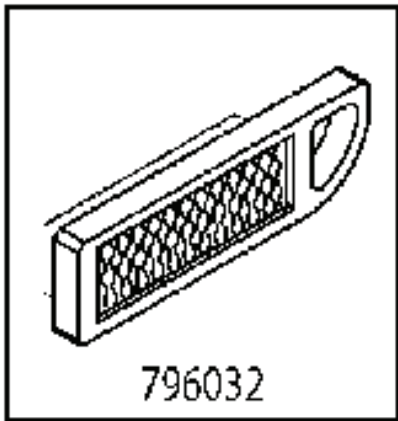
REF.	PART NO.	DESCRIPTION	REMARK	QTY.	KIT
1	532163465	BATTERY		1	
2	874760412	BOLT		1	
8	532193228	BOX		1	
16	532176138	MICRO SWITCH		1	
21	532400252	HARNESS		1	
22	532004152	BULB		1	
25	532412894	CABLE.STARTER.GGA.BL/R*SUBS/2*		1	
26	532175158	FUSE		1	
27	873510400	NUT		1	
28	532198885	CABLE		1	
29	532401545	SWITCH		1	
30	532193350	IGNITION MODULE		1	
33	532411935	KEY		1	
34	532110712	SWITCH		1	
40	532401104	CABLE ASSY		1	
41	817720408	SCREW		1	
42	532131563	COVER		1	
43	532192507	SOLENOID		1	
46	532401763	DISPLAY		1	
50	532174651	SWITCH		1	
55	817060512	SCREW		1	
71	532441544	HARNESS		1	
79	532175242	HOLDER		1	
90	532435395	TERMINAL COVER		1	
141	532416977	KIT		1	



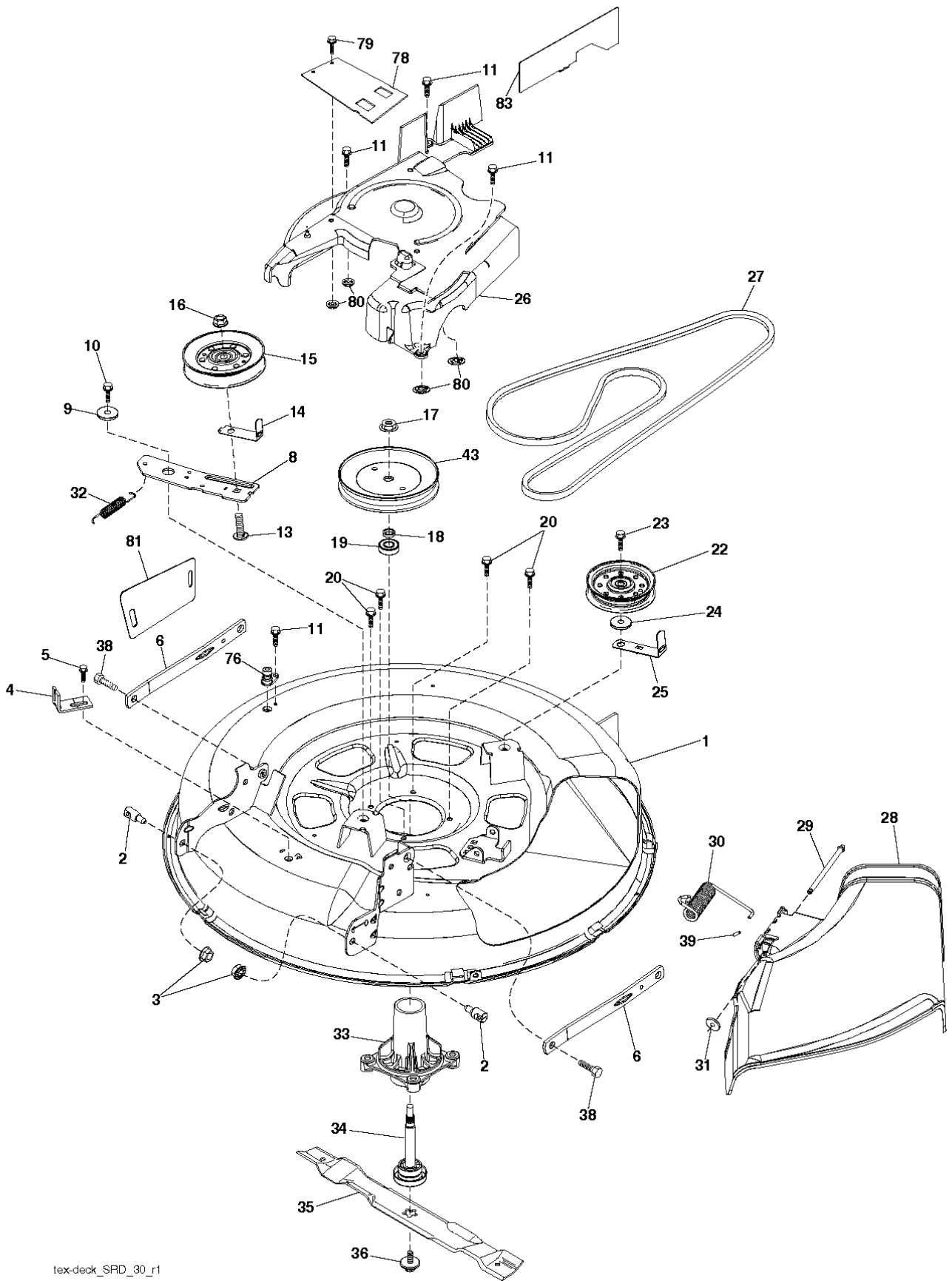
engine-tex_BS_32



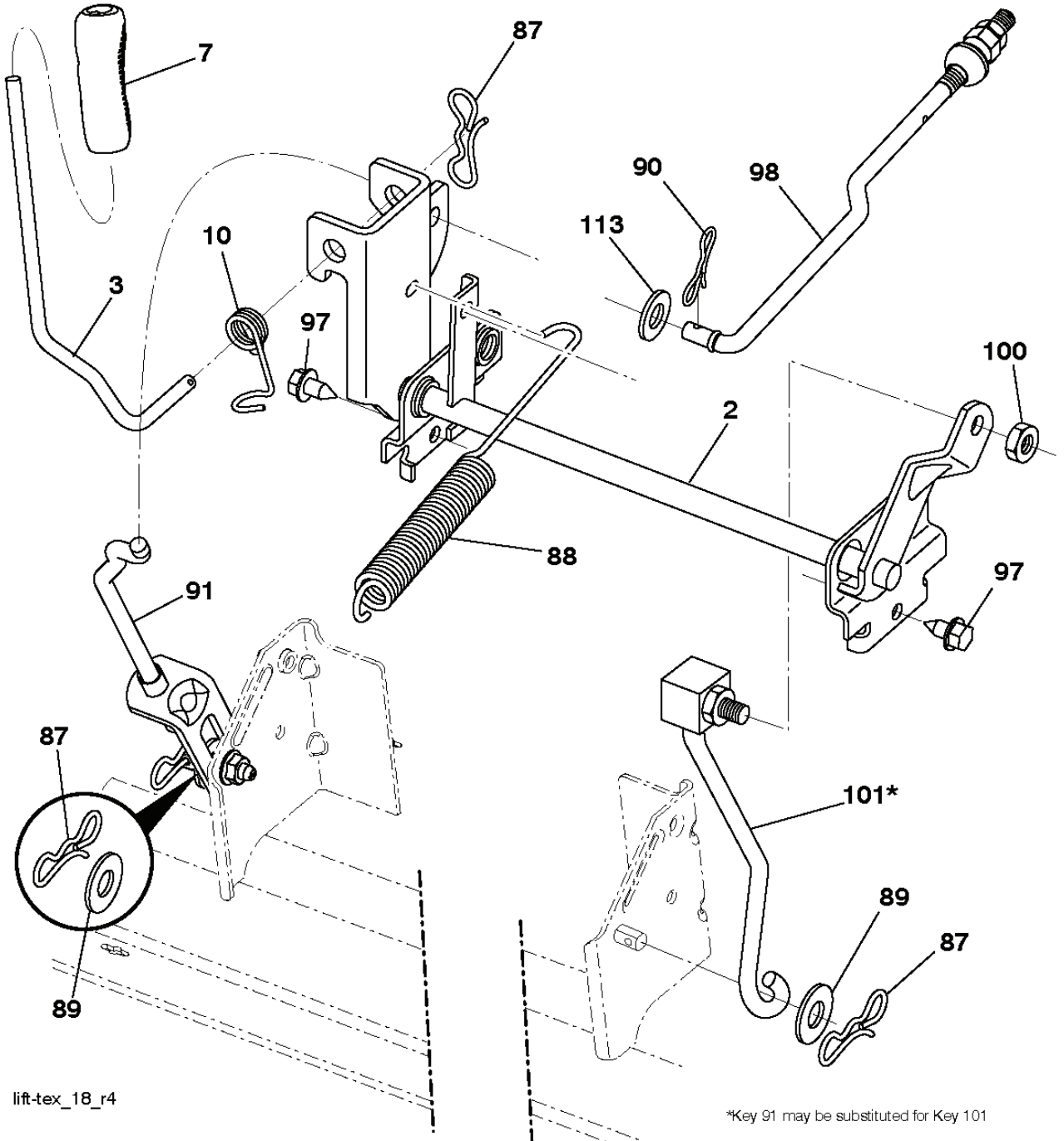
REF.	PART NO.	DESCRIPTION	REMARK	QTY.	KIT
1	000000000	W/O DESCRIPTION	ENGINE BRIGGS MODEL NO. 219807-3376- B1(438172)	1	
2	532179758	MUFFLER		1	
9	584911601	KEEPER		1	
11	532180505	CLUTCH		1	
12	532194338	PULLEY		1	
15	532407545	FUEL TANK		1	
18	532430220	FUEL CAP		1	
20	532183897	CONTROL		1	
21	532416358	SCREW		1	
28	532137040	HOSE		1	
29	532137180	SPARK ARRESTER KIT		1	
37	532123487	HOSE CLAMP		1	
41	532126197	WASHER		1	
42	810040700	WASHER		1	
45	873510400	NUT		1	
69	532165291	GASKET		1	
79	532192334	SCREW		1	
84	817060620	SCREW		1	
85	532173937	BOLT		1	
90	817000616	SCREW		1	
96	819091416	WASHER		1	
97	817670412	SCREW		1	
105	532420894	SHIELD		1	
106	532430257	SHIELD		1	
108	532431689	COVER		1	
122	532421922	EXTENSION PIPE		1	



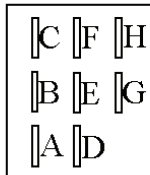
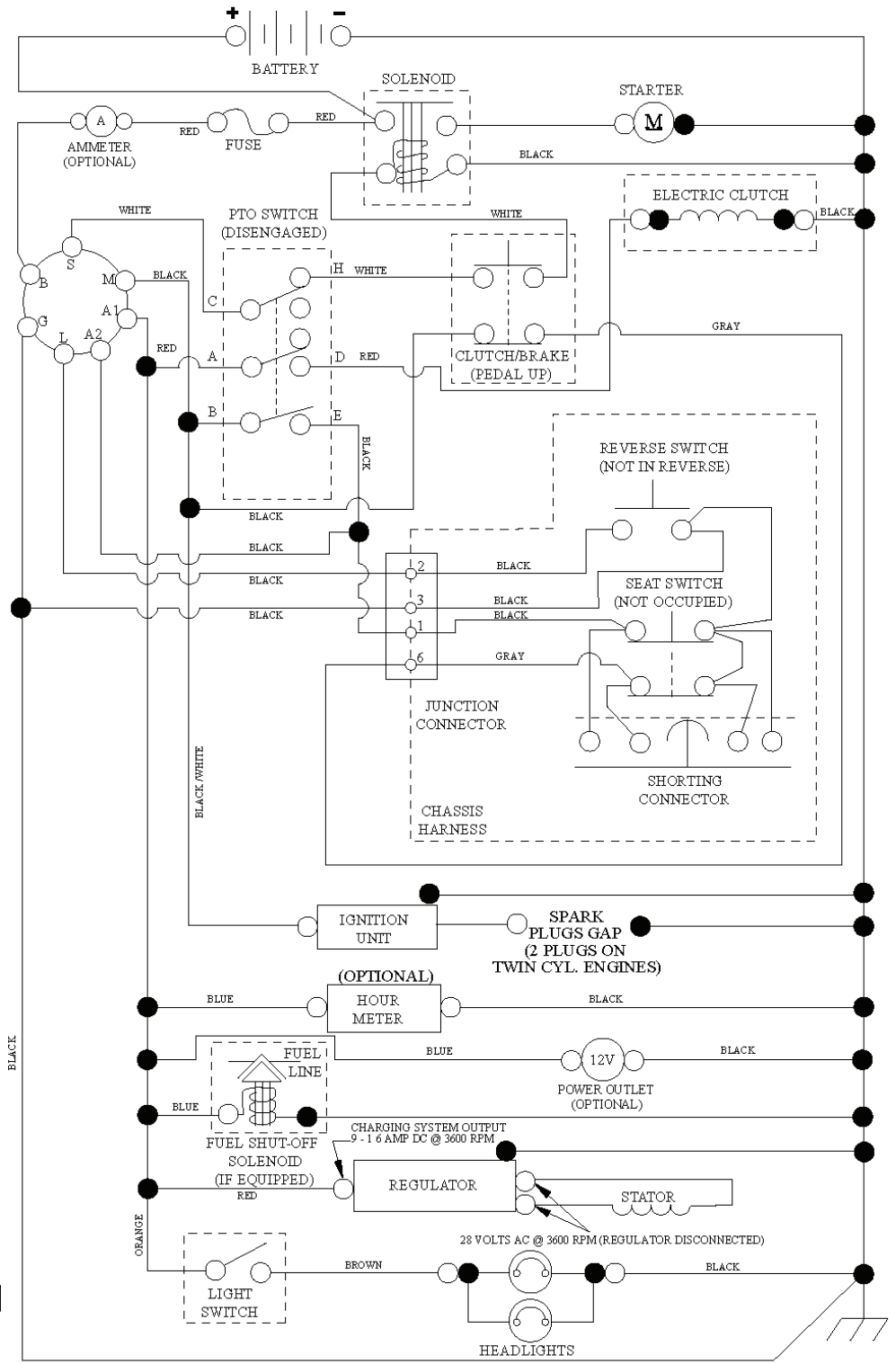
REF.	PART NO.	DESCRIPTION	REMARK	QTY.	KIT
796032	586617101	AIR FILTER		0	
QC12YC	531029776	SPARK PLUG		0	
394358	582288363	FUEL FILTER		0	
532125907	532125907	BELT		0	
532419271	532419271	BELT		0	
532419273	532419273	RIDE ON BLADE		0	



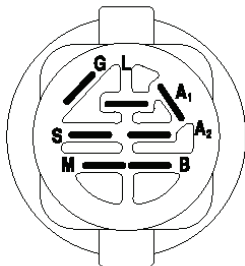
REF.	PART NO.	DESCRIPTION	REMARK	QTY.	KIT
1	532442048	CUTTING DECK		1	
2	532195161	STUD		1	
3	873900500	NUT		1	
4	532417645	BRACKET		1	
5	817000510	BOLT		1	
6	532418863	ARM		1	
8	532420252	ARM		1	
9	532199092	SPACER		1	
10	817000616	SCREW		1	
11	532137729	SCREW		1	
13	872110612	BOLT		1	
14	532156085	BELT GUIDE		1	
15	532146763	PULLEY		1	
16	873900600	NUT		1	
17	532400234	NUT		1	
18	532187690	WASHER		1	
19	532110485	BEARING		1	
20	532173984	SCREW		1	
22	532175820	PULLEY		1	
23	817490628	SCREW		1	
24	819132012	WASHER		1	
25	532420253	BELT GUARD		1	
26	532420255	COVER		1	
27	532419271	BELT		1	
28	532417344	DEFLECTOR		1	
29	532420895	HINGE PIN		1	
30	532197026	TORSION SPRING		1	
31	532110452	NUT		1	
32	532197251	SPRING		1	
33	532187281	BEARING HOUSING		1	
34	532192872	SHAFT ASSY		1	
35	532419273	RIDE ON BLADE		1	
36	532193003	SCREW		1	
38	532196539	BOLT		1	
39	532105304	HUB CAP		1	
43	532416877	PULLEY		1	
76	532415598	HOSE COUPLING		1	
78	532422566	GUARD		1	
79	532142432	SCREW		1	
80	532423062	NUT		1	
81	532425367	SHIELD		1	
83	532432467	SHIELD		1	
--	532192870	SPINDLE	Mandrel Assembly (Includes Housing, Shaft Assembly, And Bearing Only - Pulley/ Nut/Washer And Blade Bolt/ Washers Not Included)	1	
--	532438109	CUTTING DECK		1	



REF.	PART NO.	DESCRIPTION	REMARK	QTY.	KIT
2	532422027	SHAFT		1	
3	532195231	LEVER		1	
7	580962301	GRIP		1	
10	532196314	SPRING		1	
87	532194209	SPRING		1	
88	532410710	SPRING		1	
89	819191912	WASHER		1	
90	532194208	PIN		1	
91	532195181	LINK		1	
97	817000612	SCREW		1	
98	532195264	LINK		1	
100	873930600	NUT		1	
101	532407003	LINK		1	
113	819171912	WASHER		1	

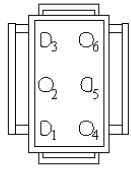


PTO SWITCH
(MATING SIDE)

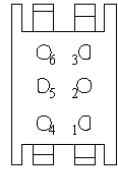


IGNITION SWITCH

POSITION	CIRCUIT	"MAKE"
OFF	M+G+A1	
RUN/OVERRIDE	B+A1	
RUN	B+A1	L+A2
START	B + S + A1	



CHASSIS HARNESS
CONNECTOR
(MATING SIDE)

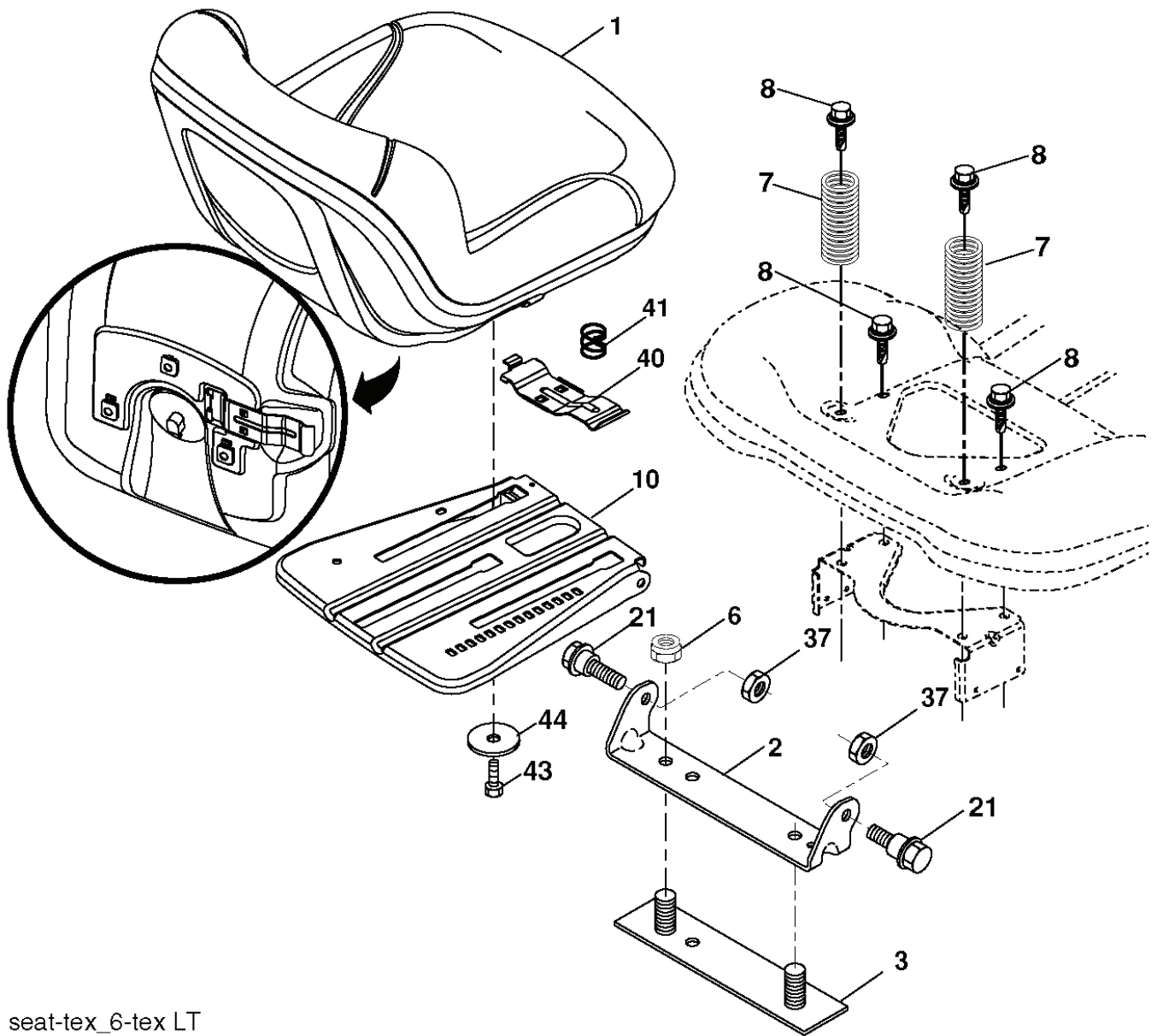


DASH HARNESS
CONNECTOR

WIRING INSULATED CLIPS
NOTE: IF WIRING INSULATED
CLIPS WERE REMOVED FOR
SERVICING OF UNIT, THEY
SHOULD BE RE-INSTALLED TO
PROPERLY SECURE YOUR
WIRING.

●
NON-REMOVABLE
CONNECTIONS

○
REMOVABLE
CONNECTIONS



seat-tex_6-tex LT

REF.	PART NO.	DESCRIPTION	REMARK	QTY.	KIT
1	532439819	SEAT		1	
2	532180166	BRACKET		1	
3	532140675	STRAP		1	
6	873800600	NUT		1	
7	532124181	SPRING		1	
8	532171877	BOLT		1	
10	532196977	PLATE		1	
21	532171852	BOLT		1	
37	873800500	LOCK NUT		1	
40	532197661	HANDLE		1	
41	532198200	SPRING		1	
43	874760612	BOLT		1	
44	819133812	WASHER		1	
	PART NO.		REMARK		KIT