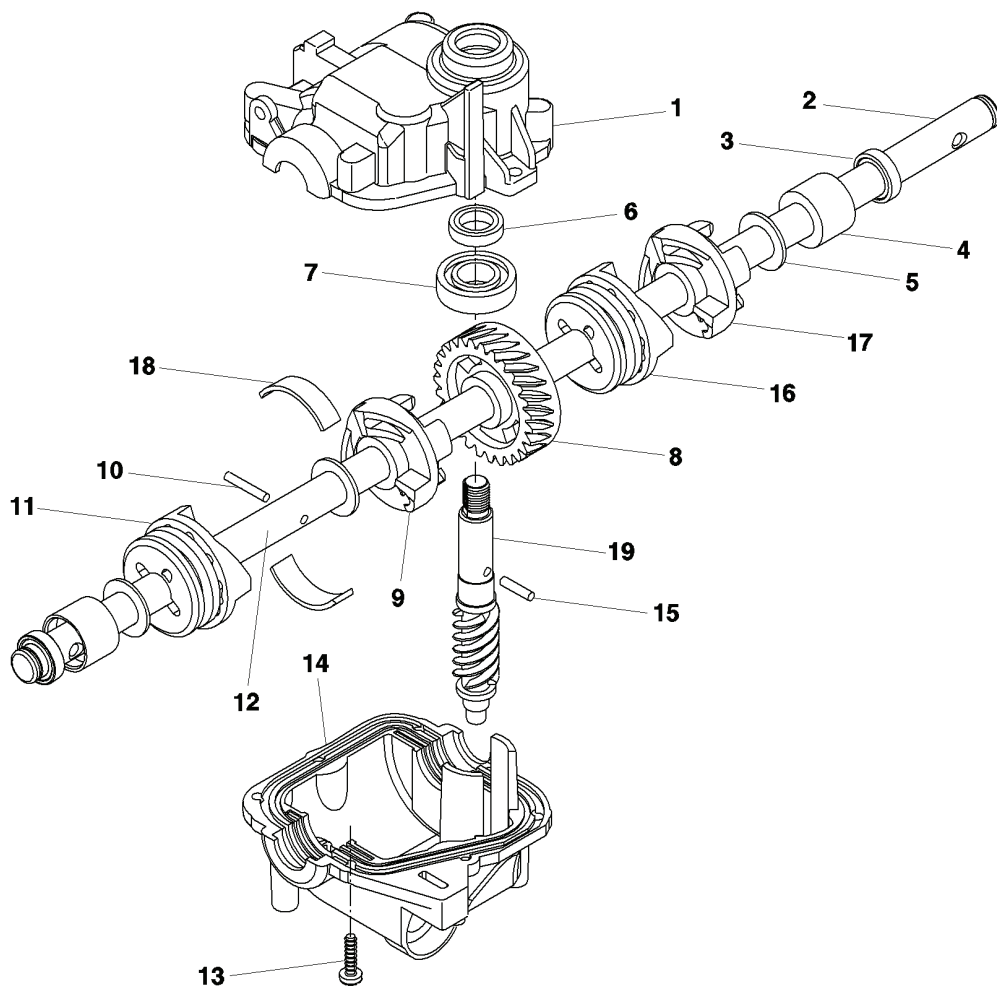


R152 SVH-BBC, 96141006302, 2008-02

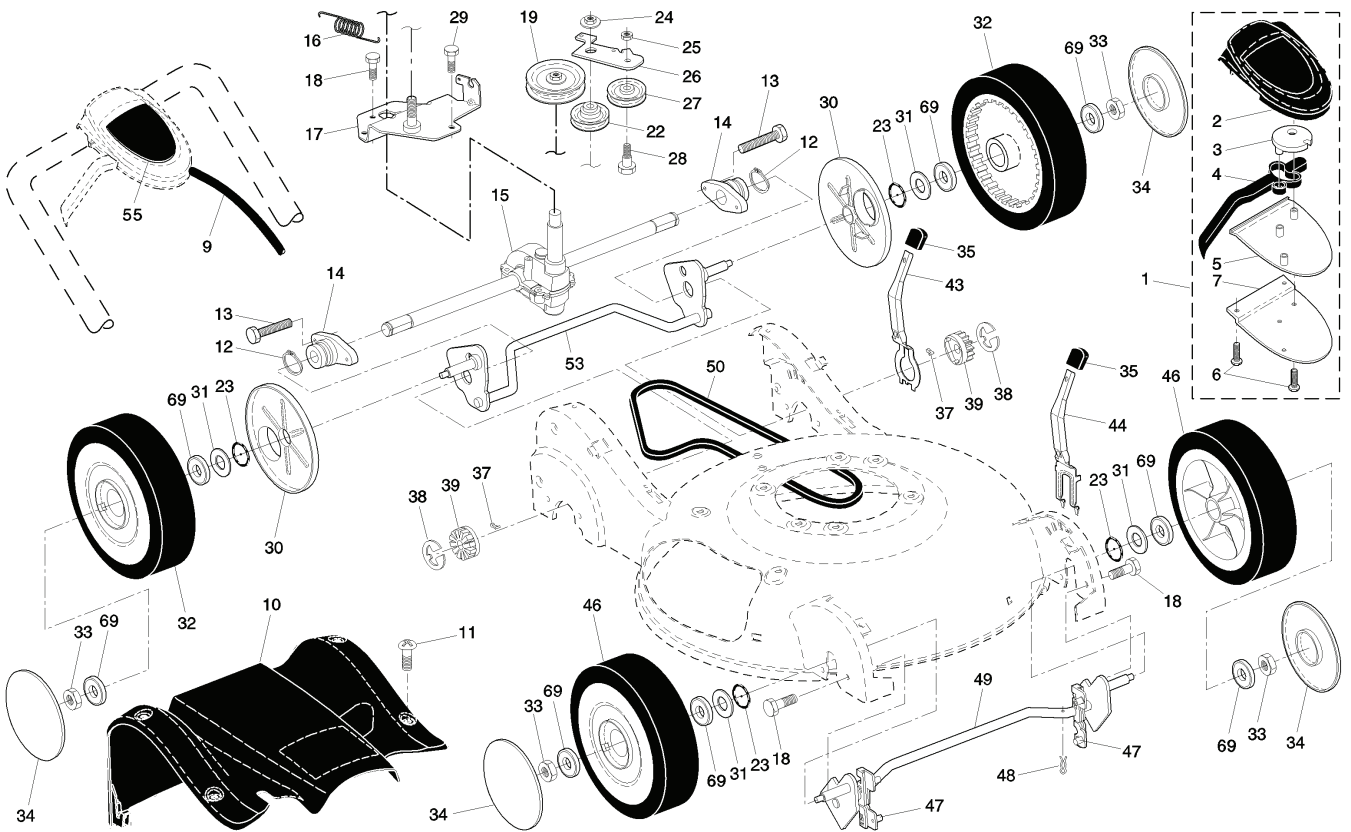
SPARE PARTS LIST

ROTARY LAWN MOWER - MODEL NUMBER R152SVH-BBC (96141006302)
PRODUCT NUMBER 961 41 00-63
GEAR CASE ASSEMBLY - - PART NUMBER 532 40 80-29



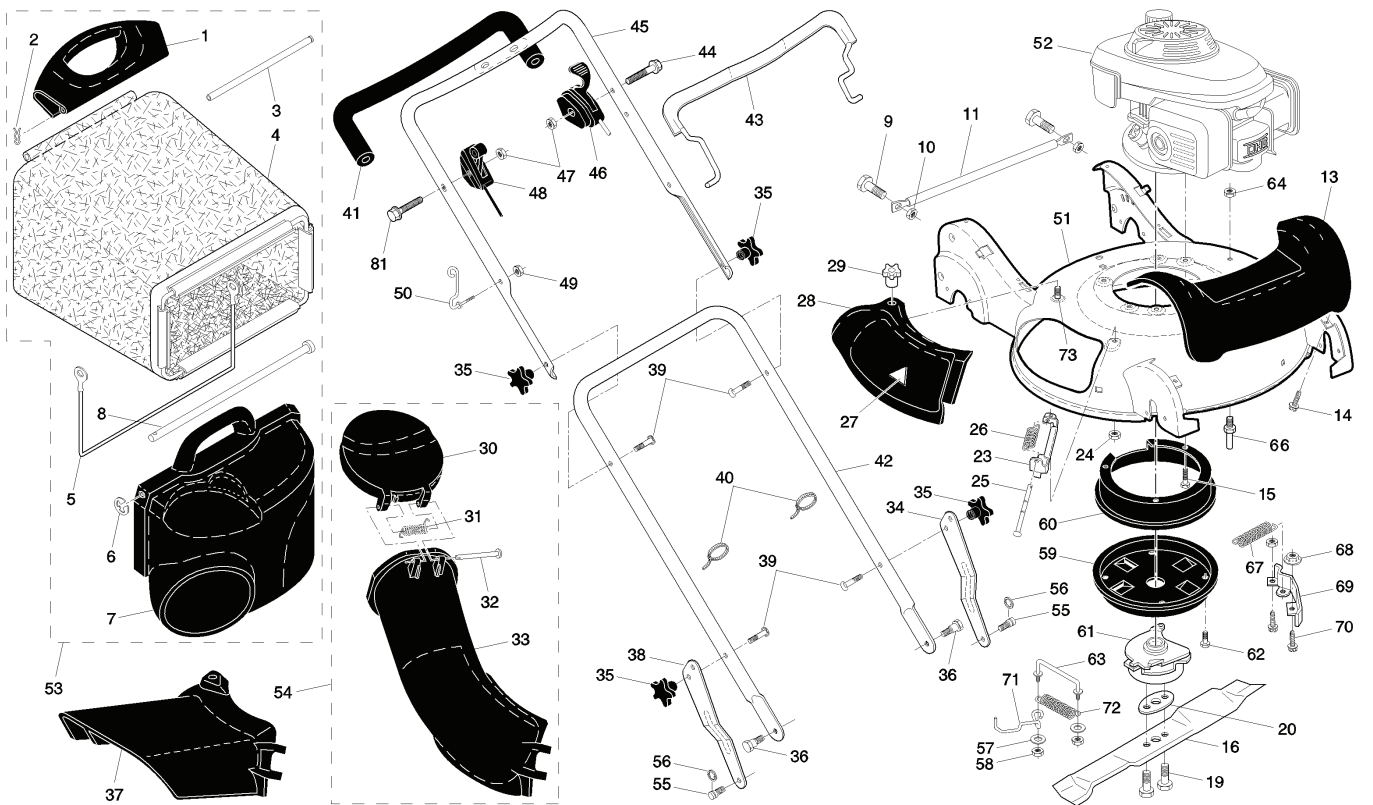
REF.	PART NO.	DESCRIPTION	REMARK	QTY.	KIT
1	532412736	CASE		1	
2	532413269	SHAFT		1	
3	532183508	SEAL, OUTPUT SHAFT		1	
4	532183511	BUSHING		1	
5	532183509	WASHER		1	
6	532183514	SEAL, INPUT SHAFT		1	
7	532183506	BALL BEARING		1	
8	532412742	GEAR		1	
9	532412739	FIXED DOG CLUTCH LH		1	
10	532412746	PIN 3.50.337		1	
11	532412740	MOVEABLE DOG CLUTCH LH		1	
12	532413268	SHAFT		1	
13	532183513	SCREW		1	
14	532412747	CASE		1	
15	532412741	PIN 7 33732		1	
16	532412744	FIXED DOG CLUTCH RH		1	
17	532412743	CLUTCH		1	
18	532410731	SPRING		1	
19	532413267	SHAFT		1	

ROTARY LAWN MOWER - MODEL NUMBER R152SVH-BBC (96141006302) PRODUCT NUMBER 961 41 00-63



REF.	PART NO.	DESCRIPTION	REMARK	QTY.	KIT
1	532197012	CONTROL		1	
2	532411673	COVER		1	
3	532187353	DISC		1	
4	532190037	ARM		1	
5	532411664	COVER		1	
6	532181698	SCREW		1	
7	532400723	BRACKET		1	
9	532197011	CABLE		1	
10	532416963	DRIVE COVER		1	
11	532194188	SCREW		1	
12	812000012	RETAINER RING		1	
13	532088652	SCREW		1	
14	532408027	BEARING		1	
15	532408029	GEARBOX ASSY		1	
16	532406558	SPRING		1	
17	532408005	BELT		1	
18	532163409	SCREW		1	
19	532194018	PULLEY		1	
22	532193791	PULLEY		1	
23	532197480	O-RING		1	
24	532409149	NUT		1	
25	873930500	NUT		1	
26	532416736	ARM		1	
27	532166043	PULLEY		1	
28	532160829	BOLT		1	
29	817060410	SCREW		1	
30	532183457	SHIELD		1	
31	532088348	WASHER		1	
32	532192622	WHEEL		1	
33	532409148	NUT		1	
34	532183442	RADKAPPE		1	
35	532185994	KNOB		1	
37	532404845	PAWL, DRIVE		1	
38	812000058	E-CLIP		1	
39	532403849	PINION		1	
43	532190520	LEVER		1	
44	532190518	LEVER		1	
46	532192232	WHEEL		1	
47	532183438	BUSHING		1	
48	532169675	PIN		1	
49	532196469	SHAFT		1	
50	532408031	BELT		1	
53	532416740	REAR AXLE		1	
55	532189378	DECAL		1	
69	532751068	BEARING		1	

ROTARY LAWN MOWER - MODEL NUMBER R152SVH-BBC (96141006302) PRODUCT NUMBER 961 41 00-63



REF.	PART NO.	DESCRIPTION	REMARK	QTY.	KIT
1	532190582	HANDLE		1	
2	532065322	CLAMP		1	
3	532183483	PIN		1	
4	532401898	BOX		1	
5	532188506	FRAME		1	
6	812000014	RETAINER RING		1	
7	532190581	BAG		1	
8	532183479	PIN		1	
9	872140405	BOLT		1	
10	873800400	NUT		1	
11	532190692	PIPE		1	
13	532190519	COVER		1	
14	532199422	SCREW		1	
15	532150406	BOLT		1	
16	532199380	BLADE		1	
19	532193407	BOLT		1	
20	532193409	SPACER WASHER		1	
23	532183609	BRACKET		1	
24	532191730	NUT		1	
25	532183445	PIN		1	
26	532183446	SPRING		1	
27	532182166	DECAL		1	
28	532190515	PLATE		1	
29	532183447	KNOB		1	
30	532190580	PLATE		1	
31	532183478	SPRING		1	
32	532183445	PIN		1	
33	532190578	PIPE		1	
34	532190619	BRACKET		1	
35	532185588	KNOB		1	
36	532194187	BOLT		1	
37	532185996	DEFLECTOR		1	
38	532190621	BRACKET		1	
39	532191574	SCREW		1	
40	532066426	HOOP		1	
41	532182748	HANDLE		1	
42	532187096	HANDLE		1	
43	532186299	BAIL		1	
44	532183365	SCREW		1	
45	532186296	HANDLE		1	
46	532196541	CONTROL		1	
47	532132004	NUT		1	
48	532191257	THROTTLE CONTROL		1	
49	532132004	NUT		1	
50	532188501	LEVER		1	
51	532400728	DECK SHELL		1	
53	532401896	BAG		1	
54	532189014	PIPE		1	
55	532194192	STUD		1	
56	812000058	E-CLIP		1	
57	532053998	WASHER		1	
58	873510600	NUT		1	
59	532190931	BELT COVER		1	
60	532190930	BELT COVER		1	
62	532750097	SCREW HEX HEAD RL508A/B		1	
63	532180188	LINK		1	
64	873197033	NUT		1	
66	532182131	STUC.GUIDE.BELT.RWGD		1	
67	532180393	SPRING		1	
68	873900400	NUT		1	
69	532190929	BRAKE.CLUTCH		1	
70	874780410	BOLT		1	
71	532188545	KEEPER		1	
72	532180394	SPRING		1	
73	532188634	STUD		1	
81	532189937	SCREW		1	
-	532182134	DECALC."WARNING"		1	