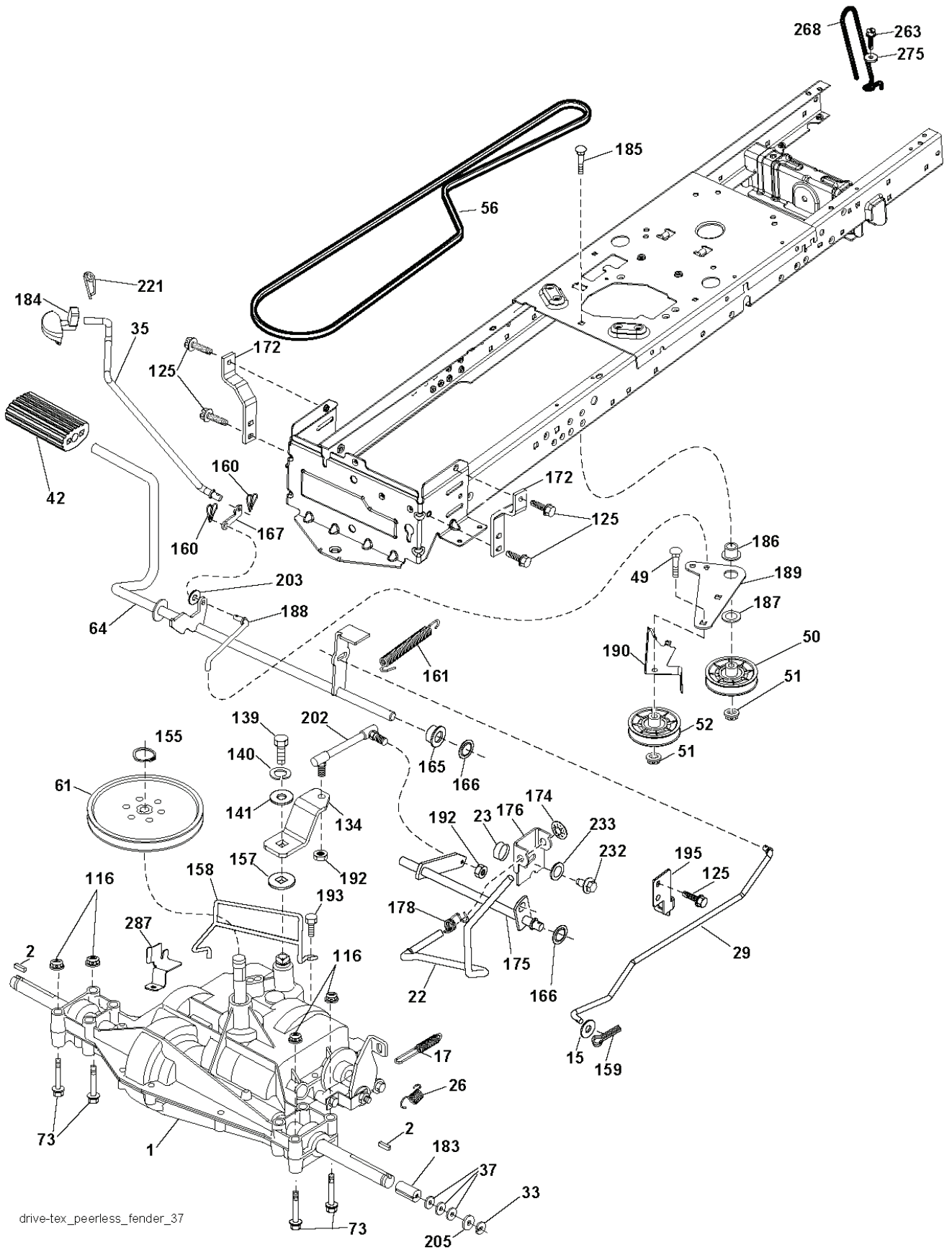


LT126, 96041019800, 2010-10

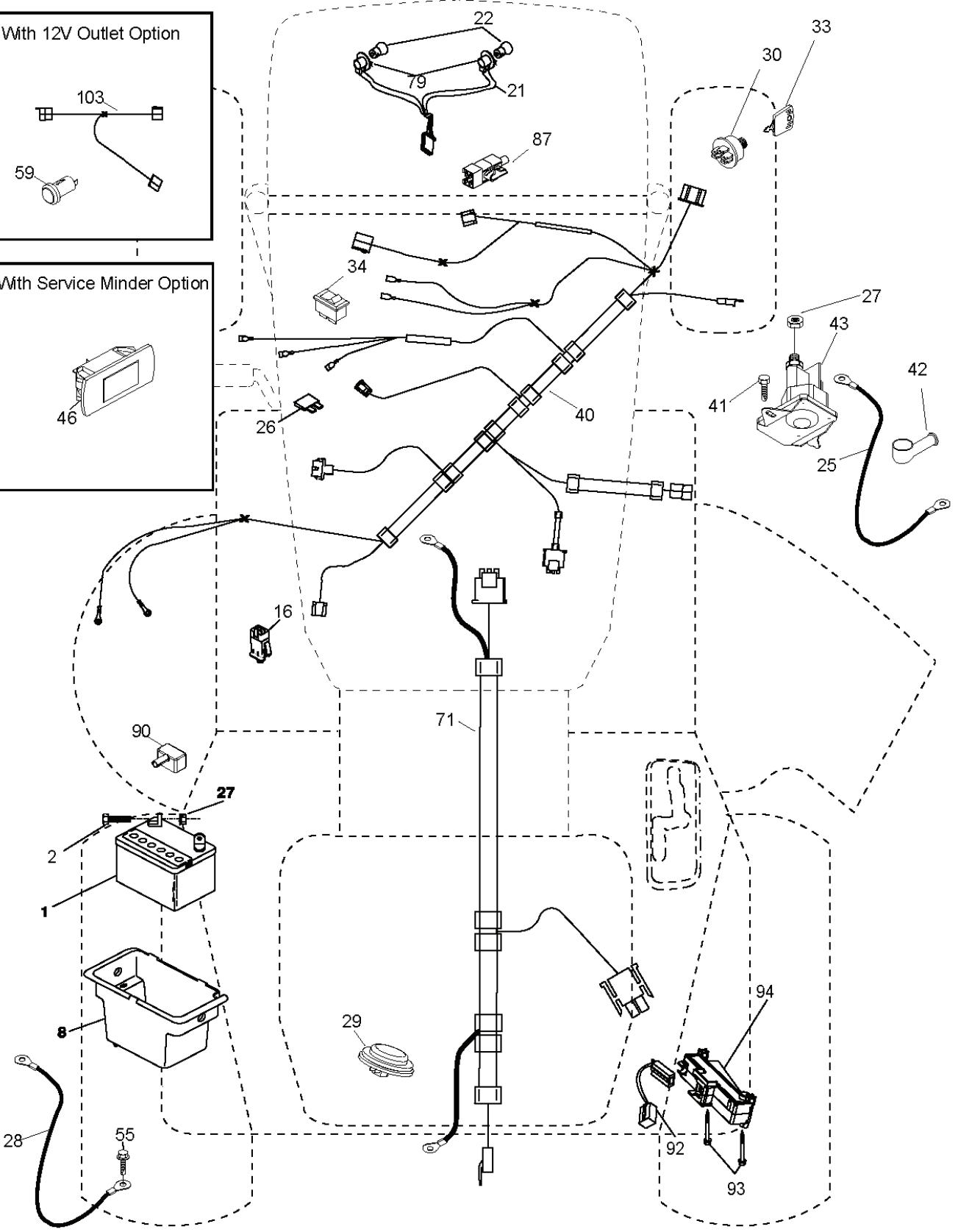
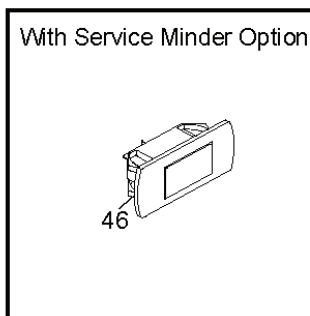
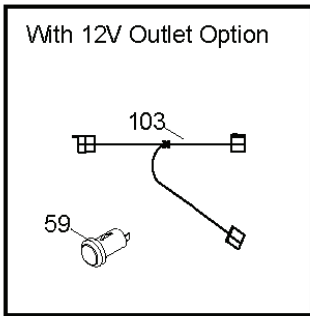
---

# **SPARE PARTS LIST**



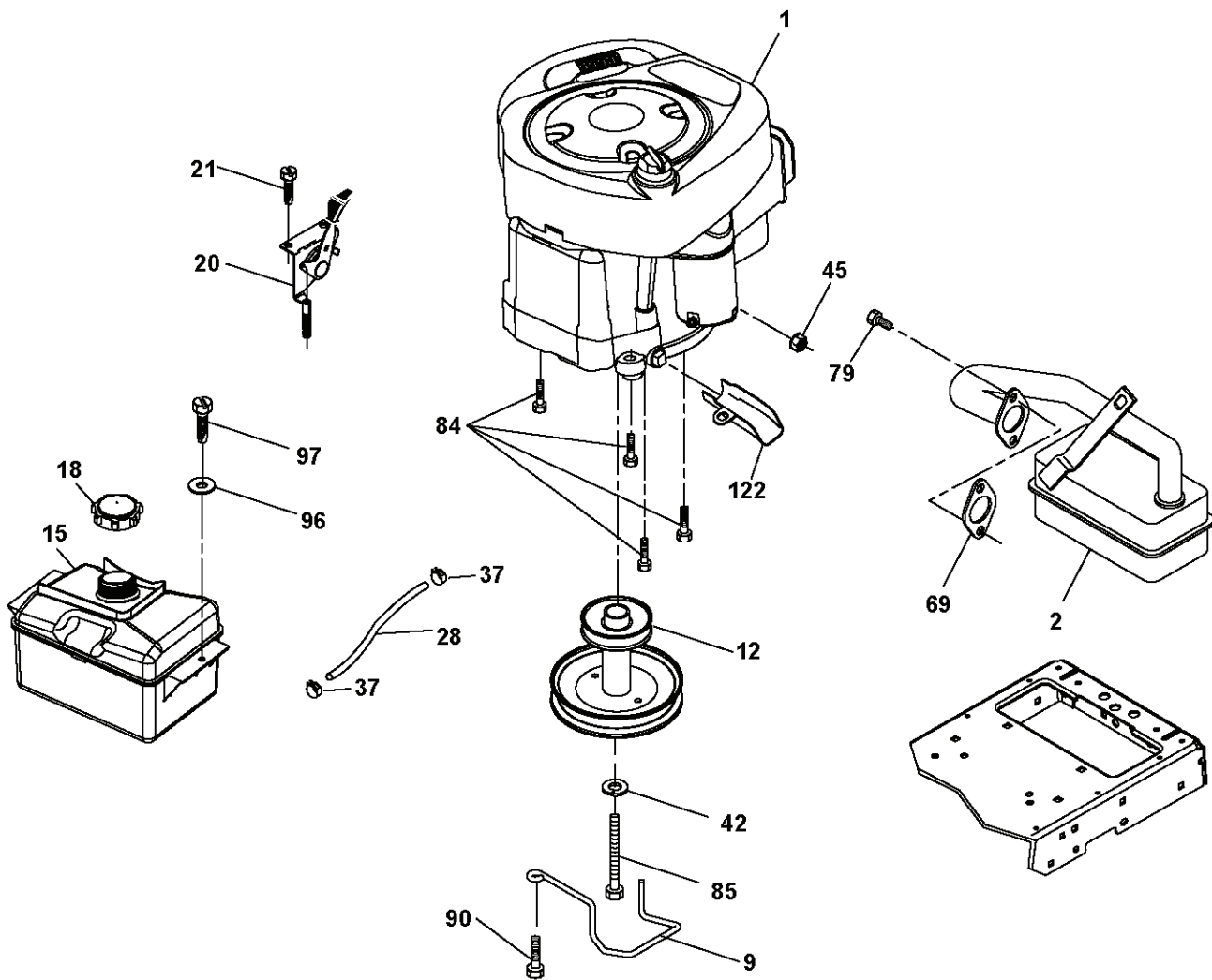
| REF. | PART NO.  | DESCRIPTION     | REMARK                      | QTY. | KIT |
|------|-----------|-----------------|-----------------------------|------|-----|
| 1    | 000000000 | W/O DESCRIPTION | Transaxle, Peerless 206-565 | 0    |     |
| 2    | 532123583 | KEY             |                             | 0    |     |
| 15   | 819131316 | WASHER          |                             | 0    |     |
| 17   | 532197297 | SPRING          |                             | 0    |     |
| 22   | 532197660 | ROD             |                             | 0    |     |
| 23   | 532121274 | KNOB            |                             | 0    |     |
| 26   | 532197455 | SPRING          |                             | 0    |     |
| 29   | 532197267 | ROD             |                             | 0    |     |
| 33   | 812000001 | RETAINER RING   |                             | 0    |     |
| 35   | 532401031 | ROD             |                             | 0    |     |
| 37   | 532121749 | WASHER          |                             | 0    |     |
| 42   | 532124872 | PEDAL RUBBER    |                             | 0    |     |
| 49   | 872110614 | BOLT            |                             | 0    |     |
| 50   | 532194327 | PULLEY          |                             | 0    |     |
| 51   | 873900600 | NUT             |                             | 0    |     |
| 52   | 532194326 | PULLEY          |                             | 0    |     |
| 56   | 532138255 | BELT            |                             | 0    |     |
| 61   | 532165999 | PULLEY          |                             | 0    |     |
| 64   | 532196200 | SHAFT           |                             | 0    |     |
| 73   | 874490544 | SCREW           |                             | 0    |     |
| 116  | 873900500 | NUT             |                             | 0    |     |
| 125  | 817000512 | SCREW           |                             | 0    |     |
| 134  | 532197857 | ROD             |                             | 0    |     |
| 139  | 874550412 | BOLT            |                             | 0    |     |
| 140  | 810040400 | WASHER          |                             | 0    |     |
| 141  | 819091210 | WASHER          |                             | 0    |     |
| 155  | 812000028 | CLIP            |                             | 0    |     |
| 157  | 532105701 | WASHER          |                             | 0    |     |
| 158  | 532194352 | BELT GUIDE      |                             | 0    |     |
| 159  | 876020412 | SPLIT PIN       |                             | 0    |     |
| 160  | 532169484 | PIN             |                             | 0    |     |
| 161  | 532105709 | SPRING          |                             | 0    |     |
| 165  | 532196212 | BUSHING         |                             | 0    |     |
| 166  | 532429164 | NUT             |                             | 0    |     |
| 167  | 532405257 | LATCH           |                             | 0    |     |
| 172  | 532197657 | STRAP           |                             | 0    |     |
| 174  | 532197289 | NUT             |                             | 0    |     |
| 175  | 532197858 | SHAFT           |                             | 0    |     |
| 176  | 532196214 | ARM             |                             | 0    |     |
| 178  | 532197456 | SPRING          |                             | 0    |     |
| 183  | 532137057 | SPACER          |                             | 0    |     |
| 184  | 532409747 | KNOB            |                             | 0    |     |
| 185  | 872110622 | BOLT            |                             | 0    |     |
| 186  | 532194321 | SPACER          |                             | 0    |     |
| 187  | 819133210 | WASHER          |                             | 0    |     |
| 188  | 532194323 | LINK            |                             | 0    |     |
| 189  | 532194317 | PLATE           |                             | 0    |     |
| 190  | 532194318 | BELT GUIDE      |                             | 0    |     |
| 192  | 532150360 | NUT             |                             | 0    |     |
| 193  | 817060512 | SCREW           |                             | 0    |     |
| 195  | 532197332 | BRACKET         |                             | 0    |     |
| 202  | 532197859 | LINK            |                             | 0    |     |
| 203  | 819111116 | WASHER          |                             | 0    |     |
| 205  | 532121748 | WASHER          |                             | 0    |     |
| 221  | 532403187 | SPRING          |                             | 0    |     |
| 232  | 874780716 | BOLT            |                             | 0    |     |
| 233  | 532405296 | WASHER          |                             | 0    |     |
| 263  | 817000612 | SCREW           |                             | 0    |     |
| 268  | 819131614 | WASHER          |                             | 0    |     |
| 275  | 532182402 | PROTECTOR       |                             | 0    |     |
| 287  | 532421648 | KEEPER          |                             | 0    |     |

T02S



---

| REF. | PART NO.  | DESCRIPTION                    | REMARK | QTY. | KIT |
|------|-----------|--------------------------------|--------|------|-----|
| 1    | 532144924 | BATTERY                        |        | 0    |     |
| 2    | 874760412 | BOLT                           |        | 0    |     |
| 8    | 532193228 | BOX                            |        | 0    |     |
| 16   | 532176138 | MICRO SWITCH                   |        | 0    |     |
| 21   | 532400252 | HARNESS                        |        | 0    |     |
| 22   | 532004152 | BULB                           |        | 0    |     |
| 25   | 532412894 | CABLE.STARTER.GGA.BL/R*SUBS/2* |        | 0    |     |
| 26   | 532175158 | FUSE                           |        | 0    |     |
| 27   | 873510400 | NUT                            |        | 0    |     |
| 28   | 532198885 | CABLE                          |        | 0    |     |
| 29   | 532401545 | SWITCH                         |        | 0    |     |
| 30   | 532193350 | IGNITION MODULE                |        | 0    |     |
| 33   | 532411935 | KEY                            |        | 0    |     |
| 34   | 532110712 | SWITCH                         |        | 0    |     |
| 40   | 532401098 | CABLE                          |        | 0    |     |
| 41   | 817720408 | SCREW                          |        | 0    |     |
| 42   | 532131563 | COVER                          |        | 0    |     |
| 43   | 532192507 | SOLENOID                       |        | 0    |     |
| 55   | 817060512 | SCREW                          |        | 0    |     |
| 71   | 532400449 | CABLE                          |        | 0    |     |
| 79   | 532175242 | HOLDER                         |        | 0    |     |
| 87   | 532197802 | SWITCH                         |        | 0    |     |
| 90   | 532435395 | TERMINAL COVER                 |        | 0    |     |
| 92   | 532196615 | CABLE ASSY                     |        | 0    |     |
| 93   | 532192540 | SCREW                          |        | 0    |     |
| 94   | 532191834 | MODULE.REVERSE.ROS             |        | 0    |     |

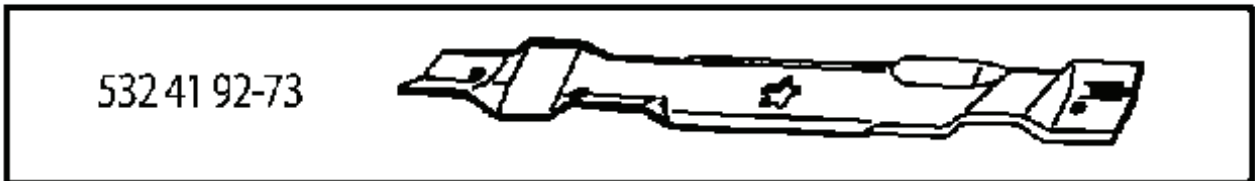
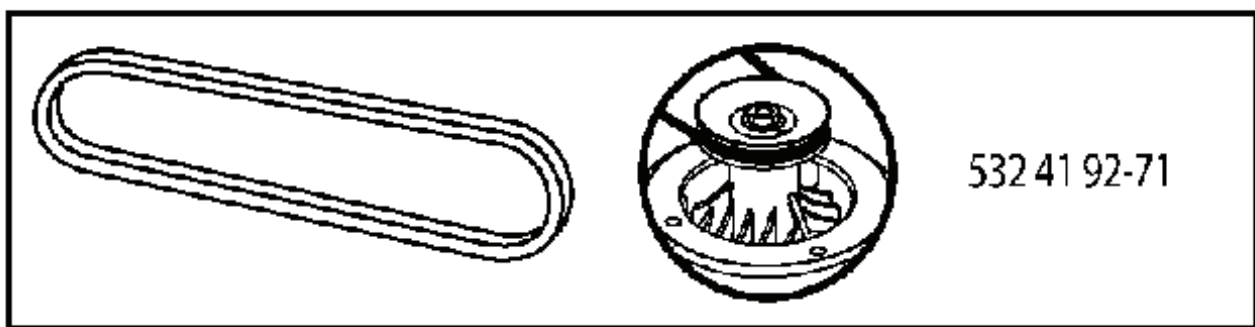
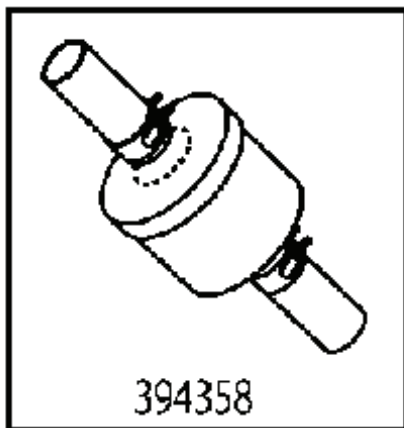
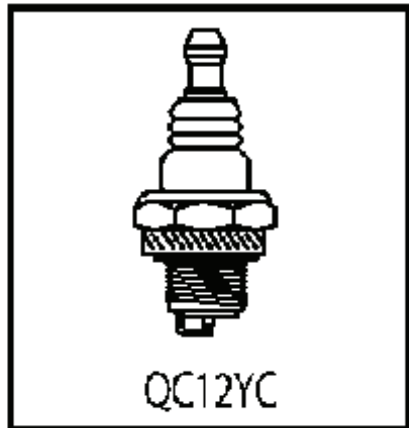
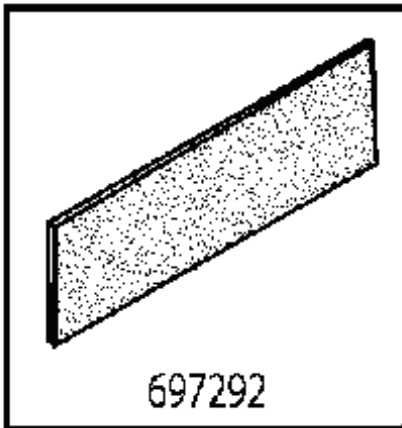
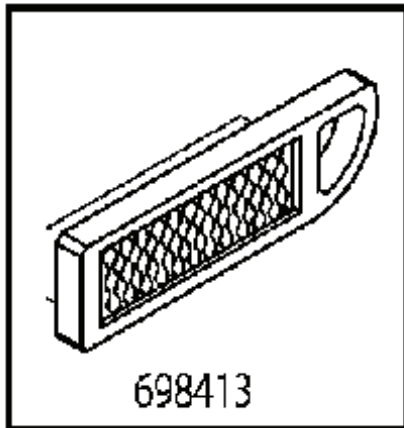


29

**OPTIONAL EQUIPMENT**

**Spark Arrester**

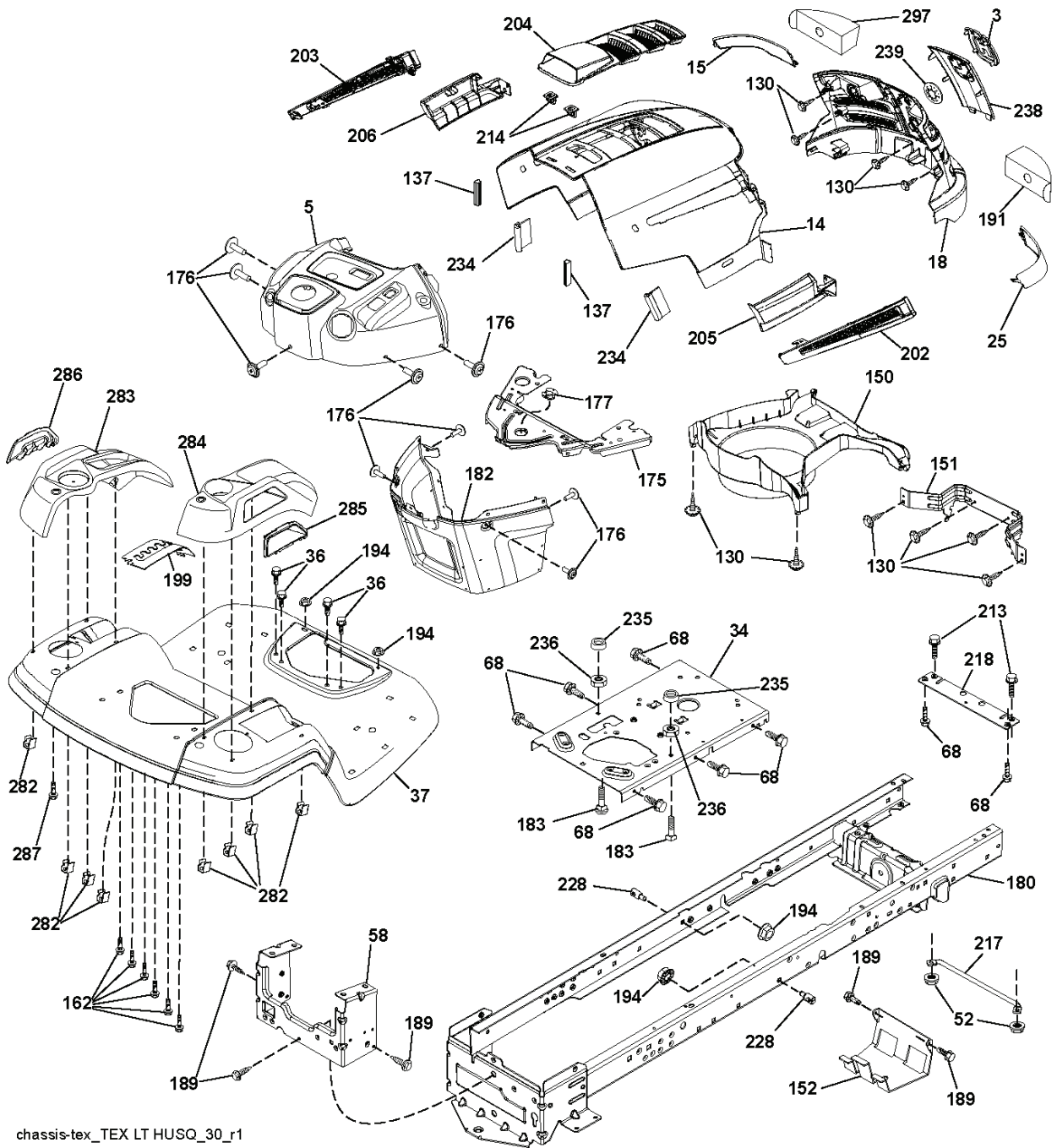
| REF. | PART NO.  | DESCRIPTION        | REMARK                                    | QTY. | KIT |
|------|-----------|--------------------|---|------|-----|
| 1    | 000000000 | W/O DESCRIPTION    | Engine Briggs Model No.<br>219807-1210-B1 | 0    |     |
| 2    | 532179758 | MUFFLER            |   | 0    |     |
| 9    | 532194319 | BELT GUIDE         |   | 0    |     |
| 12   | 532140186 | PULLEY             |   | 0    |     |
| 15   | 532407545 | FUEL TANK          |   | 0    |     |
| 18   | 532430220 | FUEL CAP           |   | 0    |     |
| 20   | 532183897 | CONTROL            |   | 0    |     |
| 21   | 532416358 | SCREW              |   | 0    |     |
| 28   | 532137040 | HOSE               |   | 0    |     |
| 29   | 532137180 | SPARK ARRESTER KIT |   | 0    |     |
| 37   | 532123487 | HOSE CLAMP         |   | 0    |     |
| 42   | 810040700 | WASHER             |   | 0    |     |
| 45   | 873510400 | NUT                |   | 0    |     |
| 69   | 532165291 | GASKET             |   | 0    |     |
| 79   | 532192334 | SCREW              |   | 0    |     |
| 84   | 817060620 | SCREW              |   | 0    |     |
| 85   | 532173937 | BOLT               |   | 0    |     |
| 90   | 817000616 | SCREW              |   | 0    |     |
| 96   | 819091416 | WASHER             |   | 0    |     |
| 97   | 817670412 | SCREW              |   | 0    |     |
| 122  | 532421922 | EXTENSION PIPE     |   | 0    |     |



---

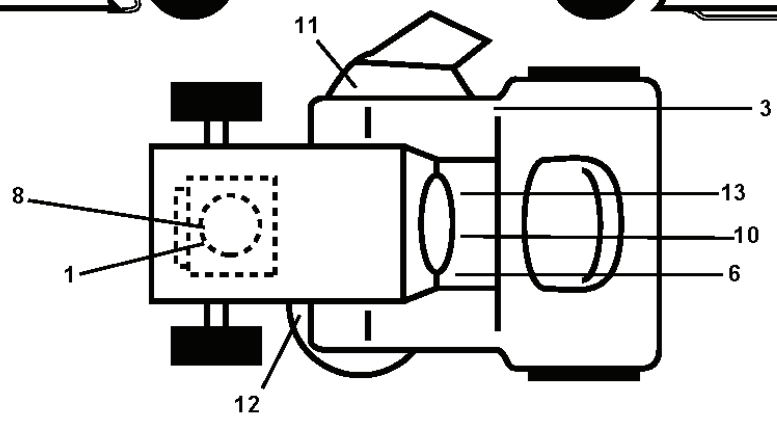
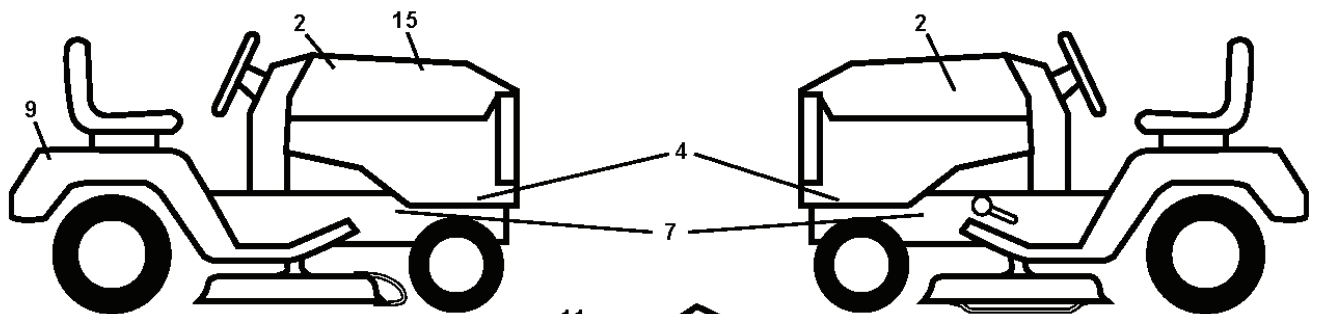
| REF.      | PART NO.  | DESCRIPTION       | REMARK | QTY. | KIT |
|-----------|-----------|-------------------|--------|------|-----|
| 698413    | 698413    | LUFTFILTEREINSATZ |        | 0    |     |
| 697292    | 697292    | LUFTFILTERELEMENT |        | 0    |     |
| QC12YC    | 531029776 | SPARK PLUG        |        | 0    |     |
| 394358    | 582288363 | FUEL FILTER       |        | 0    |     |
| 532138255 | 532138255 | BELT              |        | 0    |     |
| 532419271 | 532419271 | BELT              |        | 0    |     |
| 532419273 | 532419273 | RIDE ON BLADE     |        | 0    |     |

-----



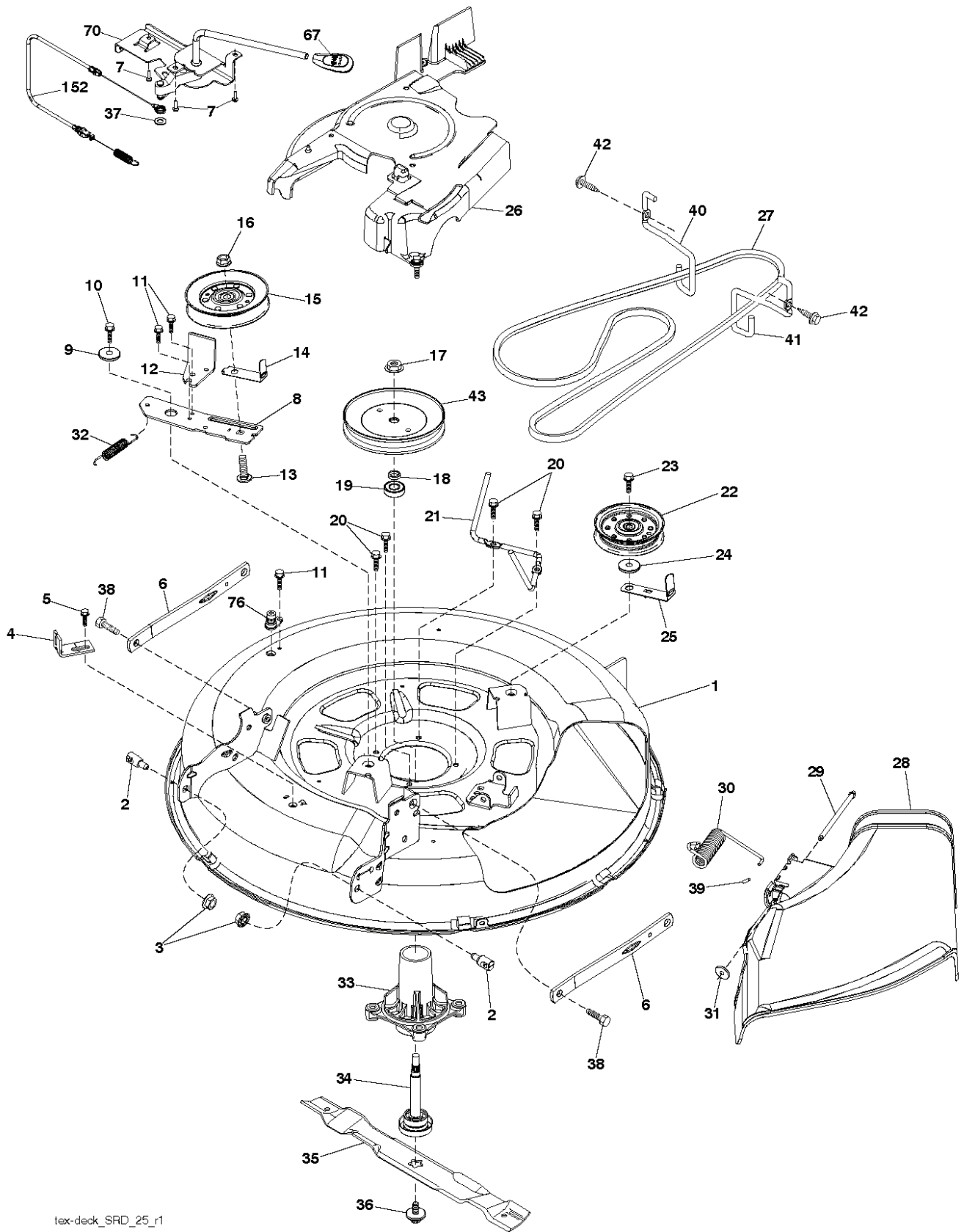
chassis-tex\_TEX LT HUSQ\_30\_r1

| REF. | PART NO.  | DESCRIPTION   | REMARK | QTY. | KIT |
|------|-----------|---------------|--------|------|-----|
| 3    | 532405012 | LOGOTYPE      |        | 0    |     |
| 5    | 532407592 | PANEL         |        | 0    |     |
| 14   | 532441267 | HOOD          |        | 0    |     |
| 15   | 532411079 | LENS          |        | 0    |     |
| 18   | 532426963 | GRILLE        |        | 0    |     |
| 25   | 532411078 | LENS          |        | 0    |     |
| 34   | 532196125 | PLATE         |        | 0    |     |
| 36   | 817060512 | SCREW         |        | 0    |     |
| 37   | 532441266 | FENDER        |        | 0    |     |
| 52   | 873680500 | NUT           |        | 0    |     |
| 58   | 532412280 | PLATE         |        | 0    |     |
| 68   | 817490508 | SCREW         |        | 0    |     |
| 130  | 532416358 | SCREW         |        | 0    |     |
| 137  | 532407590 | DAMPING PIECE |        | 0    |     |
| 150  | 532406662 | AIR DUCT      |        | 0    |     |
| 151  | 532407807 | BRACKET       |        | 0    |     |
| 152  | 532199535 | SHIELD        |        | 0    |     |
| 162  | 532142432 | SCREW         |        | 0    |     |
| 175  | 532199472 | PLATE         |        | 0    |     |
| 176  | 532400776 | SCREW         |        | 0    |     |
| 177  | 532195228 | BUSHING       |        | 0    |     |
| 180  | 532414685 | CHASSIS       |        | 0    |     |
| 182  | 532407176 | DASH          |        | 0    |     |
| 183  | 874520520 | BOLT          |        | 0    |     |
| 189  | 817000512 | SCREW         |        | 0    |     |
| 191  | 532416501 | INSERT        |        | 0    |     |
| 194  | 873900500 | NUT           |        | 0    |     |
| 199  | 532413485 | PLATE         |        | 0    |     |
| 202  | 532411075 | AIR CONDUCTOR |        | 0    |     |
| 203  | 532411074 | AIR CONDUCTOR |        | 0    |     |
| 204  | 532411116 | AIR CONDUCTOR |        | 0    |     |
| 205  | 532411076 | FENDER        |        | 0    |     |
| 206  | 532411077 | FENDER        |        | 0    |     |
| 213  | 874760512 | BOLT          |        | 0    |     |
| 214  | 532199145 | CLIP          |        | 0    |     |
| 217  | 532409167 | ROD           |        | 0    |     |
| 218  | 532196395 | PLATE         |        | 0    |     |
| 228  | 532195161 | STUD          |        | 0    |     |
| 234  | 532404742 | DAMPING PIECE |        | 0    |     |
| 235  | 532406129 | SPACER        |        | 0    |     |
| 236  | 873930500 | NUT           |        | 0    |     |
| 238  | 532411119 | FRONT COVER   |        | 0    |     |
| 239  | 532404883 | CLIP          |        | 0    |     |
| 282  | 532414110 | CLIP          |        | 0    |     |
| 283  | 532416316 | CONSOLE       |        | 0    |     |
| 284  | 532416314 | CONSOLE       |        | 0    |     |
| 285  | 532416315 | CONSOLE       |        | 0    |     |
| 286  | 532416317 | CONSOLE       |        | 0    |     |
| 287  | 817600406 | SCREW         |        | 0    |     |
| 297  | 532406665 | INSERT        |        | 0    |     |
| --   | 532411115 | PLUG          |        | 0    |     |

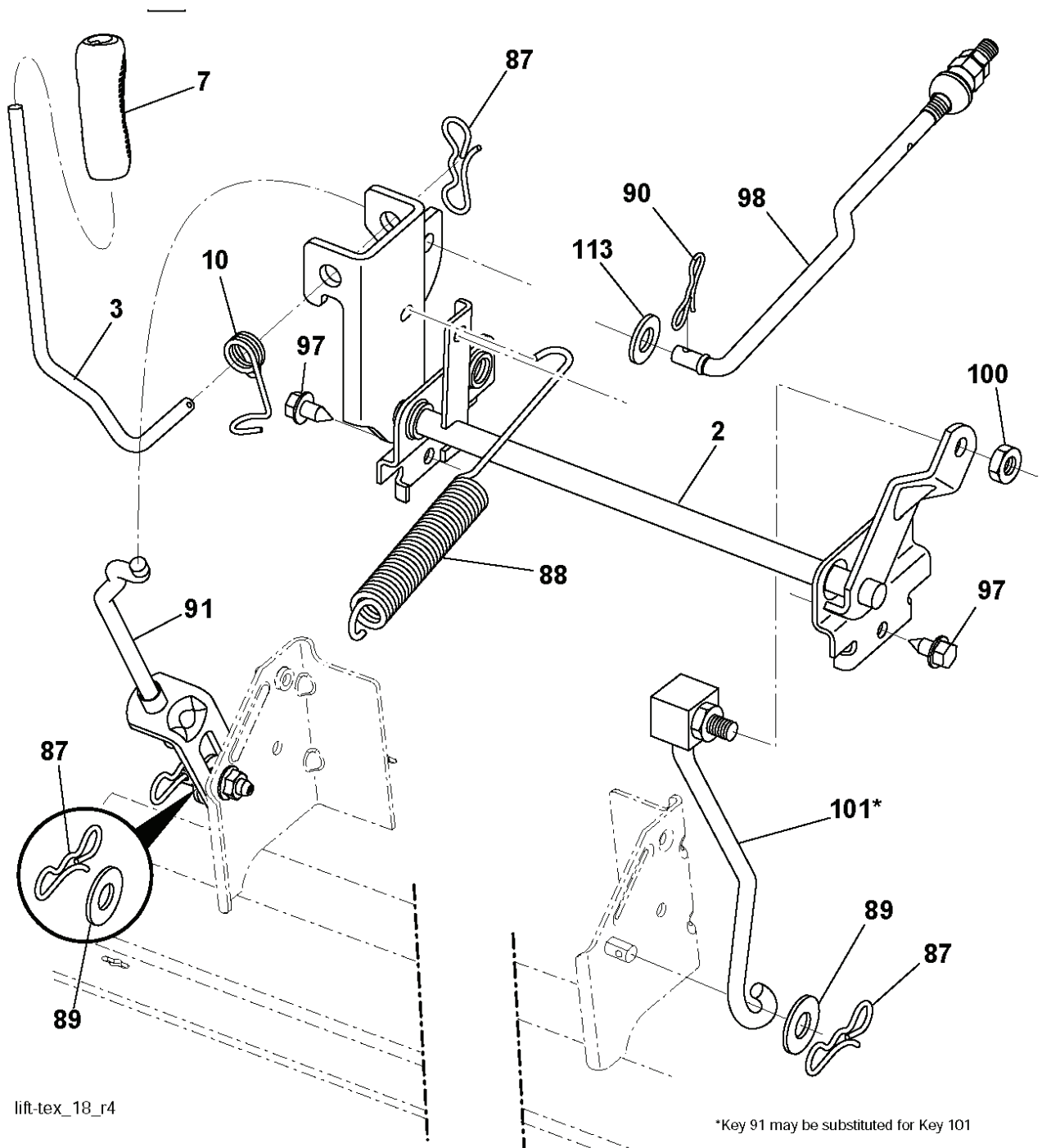


---

| REF. | PART NO.  | DESCRIPTION | REMARK | QTY. | KIT |
|------|-----------|-------------|--------|------|-----|
| 1    | 532196841 | DECAL       |        | 0    |     |
| 2    | 581627301 | DECAL       |        | 0    |     |
| 3    | 532180432 | DECAL       |        | 0    |     |
| 4    | 532437839 | DECAL       |        | 0    |     |
| 6    | 532159737 | DECAL       |        | 0    |     |
| 7    | 532159736 | DECAL       |        | 0    |     |
| 8    | 532437410 | DECAL       |        | 0    |     |
| 9    | 532145005 | DECAL       |        | 0    |     |
| 10   | 532400389 | LABEL       |        | 0    |     |
| 11   | 532425112 | DECAL       |        | 0    |     |
| 12   | 532421543 | DECAL       |        | 0    |     |
| 13   | 532140837 | DECAL       |        | 0    |     |
| 15   | 532422597 | DECAL       |        | 0    |     |
| --   | 532162598 | DECAL       |        | 0    |     |
| --   | 532410805 | PAD         |        | 0    |     |
| --   | 532411056 | PAD         |        | 0    |     |

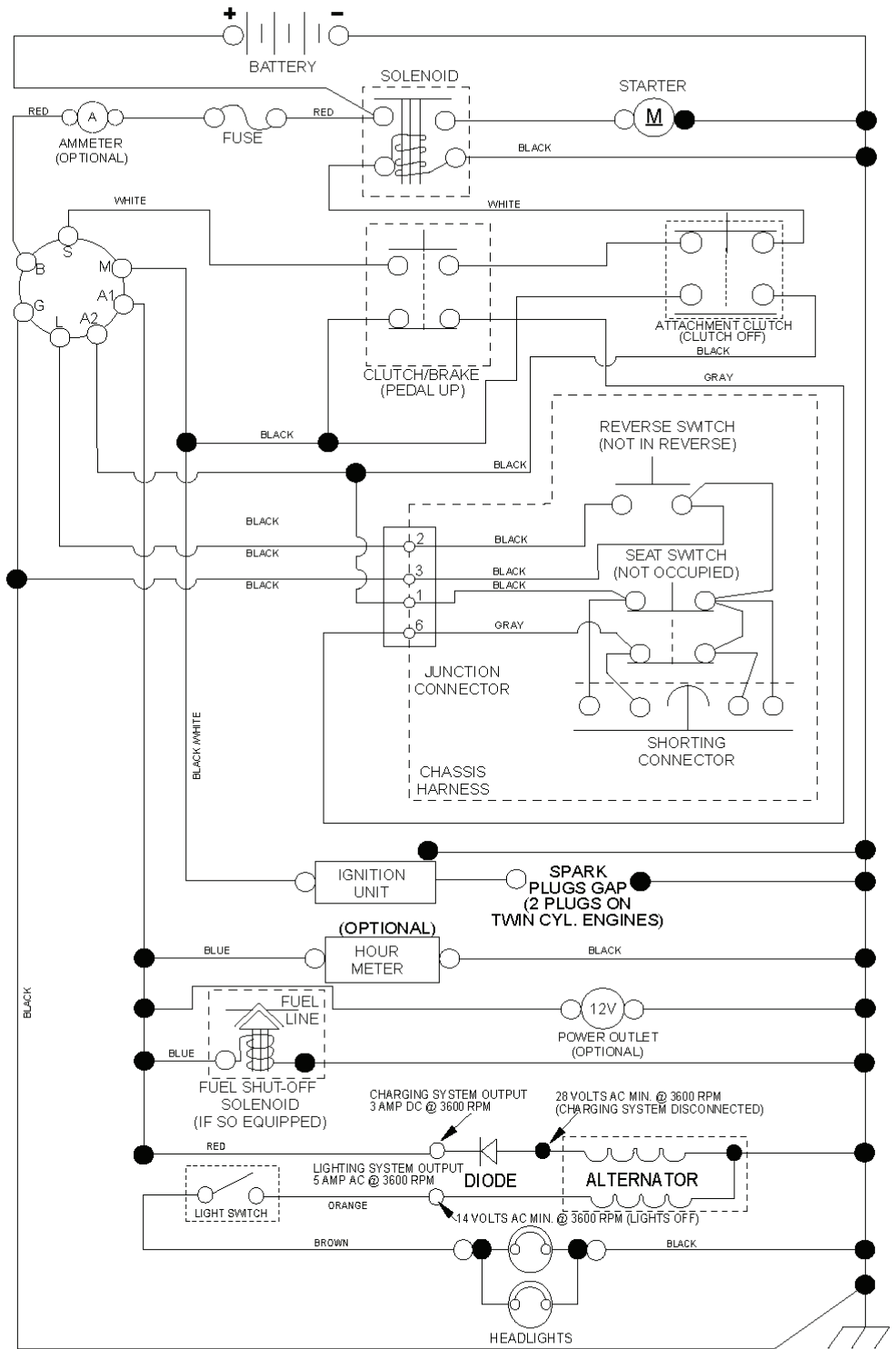


| REF. | PART NO.  | DESCRIPTION     | REMARK | QTY. | KIT |
|------|-----------|-----------------|--------|------|-----|
| 1    | 532434555 | CUTTING DECK    |        | 0    |     |
| 2    | 532195161 | STUD            |        | 0    |     |
| 3    | 873900500 | NUT             |        | 0    |     |
| 4    | 532417645 | BRACKET         |        | 0    |     |
| 5    | 817000510 | BOLT            |        | 0    |     |
| 6    | 532418863 | ARM             |        | 0    |     |
| 7    | 532416358 | SCREW           |        | 0    |     |
| 8    | 532420252 | ARM             |        | 0    |     |
| 9    | 532199092 | SPACER          |        | 0    |     |
| 10   | 817000616 | SCREW           |        | 0    |     |
| 11   | 532137729 | SCREW           |        | 0    |     |
| 12   | 532199470 | ARM             |        | 0    |     |
| 13   | 872110612 | BOLT            |        | 0    |     |
| 14   | 532156085 | BELT GUIDE      |        | 0    |     |
| 15   | 532146763 | PULLEY          |        | 0    |     |
| 16   | 873900600 | NUT             |        | 0    |     |
| 17   | 532400234 | NUT             |        | 0    |     |
| 18   | 532187690 | WASHER          |        | 0    |     |
| 19   | 532110485 | BEARING         |        | 0    |     |
| 20   | 532173984 | SCREW           |        | 0    |     |
| 21   | 532416910 | BELT GUARD      |        | 0    |     |
| 22   | 532175820 | PULLEY          |        | 0    |     |
| 23   | 817490628 | SCREW           |        | 0    |     |
| 24   | 819132012 | WASHER          |        | 0    |     |
| 25   | 532420253 | BELT GUARD      |        | 0    |     |
| 26   | 532430313 | COVER           |        | 0    |     |
| 27   | 532419271 | BELT            |        | 0    |     |
| 28   | 532417344 | DEFLECTOR       |        | 0    |     |
| 29   | 532420895 | HINGE PIN       |        | 0    |     |
| 30   | 532197026 | TORSION SPRING  |        | 0    |     |
| 31   | 532110452 | NUT             |        | 0    |     |
| 32   | 532401872 | SPRING          |        | 0    |     |
| 33   | 532187281 | BEARING HOUSING |        | 0    |     |
| 34   | 532192872 | SHAFT ASSY      |        | 0    |     |
| 35   | 532419273 | RIDE ON BLADE   |        | 0    |     |
| 36   | 532193003 | SCREW           |        | 0    |     |
| 37   | 819131316 | WASHER          |        | 0    |     |
| 38   | 532196539 | BOLT            |        | 0    |     |
| 39   | 532105304 | HUB CAP         |        | 0    |     |
| 40   | 532419270 | BELT GUARD      |        | 0    |     |
| 41   | 532419265 | BELT GUARD      |        | 0    |     |
| 42   | 817000612 | SCREW           |        | 0    |     |
| 43   | 532416877 | PULLEY          |        | 0    |     |
| 67   | 532403012 | HANDLE          |        | 0    |     |
| 70   | 532401246 | CLUTCH          |        | 0    |     |
| 76   | 532415598 | HOSE COUPLING   |        | 0    |     |
| 152  | 532435111 | CABLE           |        | 0    |     |
| --   | 532192870 | SPINDLE         |        | 1    |     |
| --   | 532434489 | CUTTING DECK    |        | 1    |     |

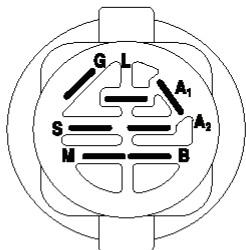


---

| REF. | PART NO.  | DESCRIPTION | REMARK | QTY. | KIT |
|------|-----------|-------------|--------|------|-----|
| 2    | 532422027 | SHAFT       |        | 0    |     |
| 3    | 532195231 | LEVER       |        | 0    |     |
| 7    | 532411555 | GRIP        |        | 0    |     |
| 10   | 532196314 | SPRING      |        | 0    |     |
| 87   | 532194209 | SPRING      |        | 0    |     |
| 88   | 532410710 | SPRING      |        | 0    |     |
| 89   | 819191912 | WASHER      |        | 0    |     |
| 90   | 532194208 | PIN         |        | 0    |     |
| 91   | 532195181 | LINK        |        | 0    |     |
| 97   | 817000612 | SCREW       |        | 0    |     |
| 98   | 532195264 | LINK        |        | 0    |     |
| 100  | 873930600 | NUT         |        | 0    |     |
| 101  | 532407003 | LINK        |        | 0    |     |
| 113  | 819171912 | WASHER      |        | 0    |     |

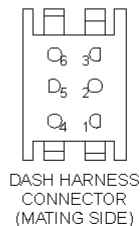
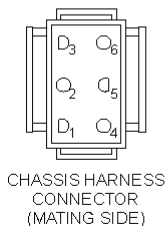


**NOTE**  
 YOUR TRACTOR IS EQUIPPED WITH A SPECIAL ALTERNATOR SYSTEM. THE LIGHTS ARE NOT CONNECTED TO THE BATTERY, BUT HAVE THEIR OWN ELECTRICAL SOURCE. BECAUSE OF THIS, THE BRIGHTNESS OF THE LIGHTS WILL CHANGE WITH ENGINE SPEED. AT IDLE THE LIGHTS WILL DIM. AS THE ENGINE IS SPEEDED UP, THE LIGHTS WILL BECOME THEIR BRIGHTEST.

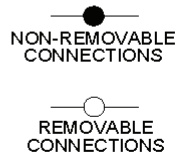


IGNITION SWITCH

| POSITION     | CIRCUIT "MAKE" |
|--------------|----------------|
| OFF          | M+G+A1         |
| RUN/OVERRIDE | B+A1           |
| RUN          | B+A1 L+A2      |
| START        | B + S + A1     |



**WIRING INSULATED CLIPS**  
 NOTE: IF WIRING INSULATED CLIPS WERE REMOVED FOR SERVICING OF UNIT, THEY SHOULD BE RE-INSTALLED TO PROPERLY SECURE YOUR WIRING.

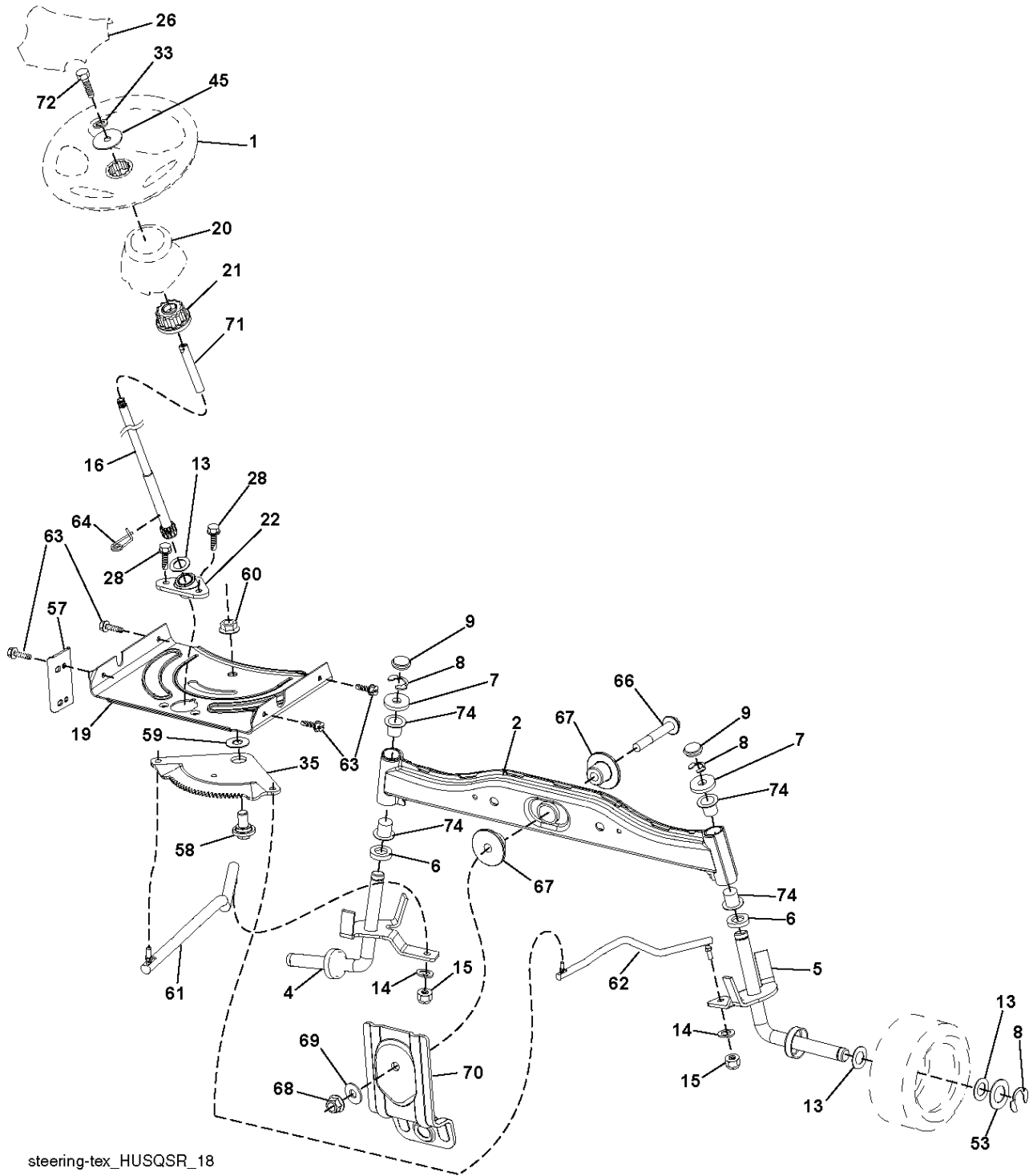






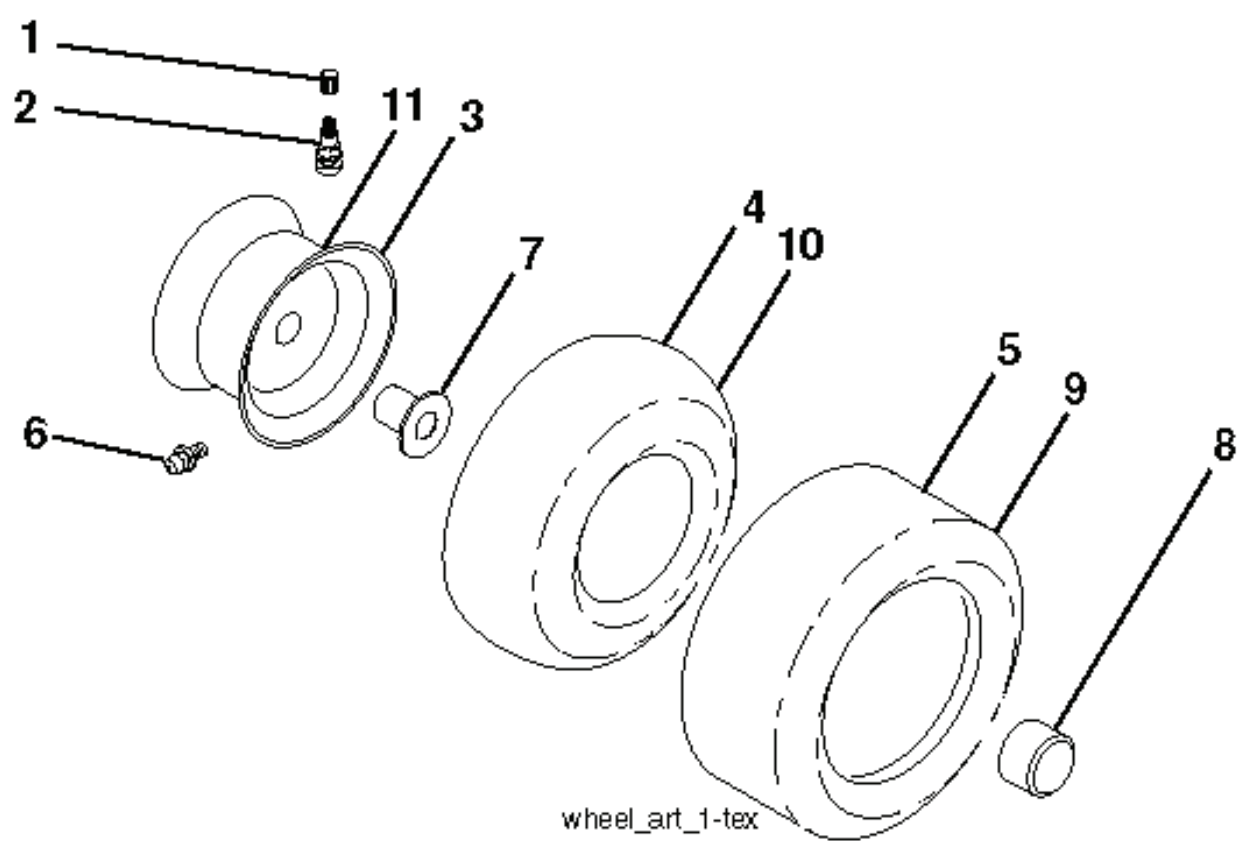
---

| REF. | PART NO.  | DESCRIPTION | REMARK | QTY. | KIT |
|------|-----------|-------------|--------|------|-----|
| 1    | 532424067 | SEAT        |        | 0    |     |
| 2    | 532180166 | BRACKET     |        | 0    |     |
| 3    | 532140675 | STRAP       |        | 0    |     |
| 6    | 873800600 | NUT         |        | 0    |     |
| 7    | 532124181 | SPRING      |        | 0    |     |
| 8    | 532171877 | BOLT        |        | 0    |     |
| 10   | 532196977 | PLATE       |        | 0    |     |
| 21   | 532171852 | BOLT        |        | 0    |     |
| 37   | 873800500 | LOCK NUT    |        | 0    |     |
| 40   | 532197661 | HANDLE      |        | 0    |     |
| 41   | 532198200 | SPRING      |        | 0    |     |
| 43   | 874760612 | BOLT        |        | 0    |     |
| 44   | 819133812 | WASHER      |        | 0    |     |



steering-tex\_HUSQSR\_18

| REF. | PART NO.  | DESCRIPTION          | REMARK | QTY. | KIT |
|------|-----------|----------------------|--------|------|-----|
| 1    | 532416480 | STEERING WHEEL       |        | 0    |     |
| 2    | 532418168 | AXLE                 |        | 0    |     |
| 4    | 532416845 | SPINDLE              |        | 0    |     |
| 5    | 532416846 | SPINDLE              |        | 0    |     |
| 6    | 532124931 | WASHER               |        | 0    |     |
| 7    | 532121748 | WASHER               |        | 0    |     |
| 8    | 812000029 | RETAINER RING        |        | 0    |     |
| 9    | 532121232 | HUB CAP              |        | 0    |     |
| 13   | 532121749 | WASHER               |        | 0    |     |
| 14   | 810040600 | WASHER               |        | 0    |     |
| 15   | 873540600 | NUT                  |        | 0    |     |
| 16   | 532429373 | SHAFT                |        | 0    |     |
| 19   | 532194729 | PLATE                |        | 0    |     |
| 20   | 532411139 | STEERING COLUMN TUBE |        | 0    |     |
| 21   | 532186737 | ADAPTER              |        | 0    |     |
| 22   | 532420537 | SUPPORT              |        | 0    |     |
| 26   | 532415987 | KNOB                 |        | 0    |     |
| 28   | 817000612 | SCREW                |        | 0    |     |
| 33   | 810040500 | WASHER               |        | 0    |     |
| 35   | 532194732 | PLATE                |        | 0    |     |
| 45   | 819113812 | WASHER               |        | 0    |     |
| 53   | 532188967 | WASHER               |        | 0    |     |
| 57   | 532407465 | BRACKET              |        | 0    |     |
| 58   | 532194747 | BOLT                 |        | 0    |     |
| 59   | 532194748 | WASHER               |        | 0    |     |
| 60   | 873971000 | NUT                  |        | 0    |     |
| 61   | 532194740 | LINK                 |        | 0    |     |
| 62   | 532194741 | LINK                 |        | 0    |     |
| 63   | 817000512 | SCREW                |        | 0    |     |
| 64   | 532199849 | SPRING RETAINER      |        | 0    |     |
| 66   | 871020748 | BOLT                 |        | 0    |     |
| 67   | 532194737 | BUSHING              |        | 0    |     |
| 68   | 873900700 | NUT                  |        | 0    |     |
| 69   | 532199162 | WASHER               |        | 0    |     |
| 70   | 532417065 | BRACKET              |        | 0    |     |
| 71   | 532190752 | SHAFT                |        | 0    |     |
| 72   | 532428982 | BOLT                 |        | 0    |     |
| 74   | 532124937 | BEARING COL. STRG.   |        | 0    |     |



wheel\_art\_1-tex

| REF. | PART NO.  | DESCRIPTION  | REMARK                    | QTY. | KIT |
|------|-----------|--------------|---------------------------|------|-----|
| 1    | 532059192 | CAP VALVE    |                           | 1    |     |
| 2    | 532065139 | NIPPLE       |                           | 1    |     |
| 3    | 532425261 | RIM          | Front 6"                  | 1    |     |
| 4    | 532421652 | TUBE         | Front (Service Item Only) | 1    |     |
| 5    | 532123410 | TIRE         | Front 13 x 5.0-6          | 1    |     |
| 6    | 532124957 | FITTING      | (Front Wheel Only)        | 1    |     |
| 7    | 532124959 | BEARING      | (Front Wheel Only)        | 1    |     |
| 8    | 532175039 | HUB CAP      |                           | 1    |     |
| 9    | 532106230 | TIRE         | Rear 16 x 6-5             | 1    |     |
| 10   | 532007154 | HOSE         | Rear (Service Item Only)  | 1    |     |
| 11   | 532425262 | RIM          | Rear 8"                   | 1    |     |
| --   | 532144334 | SEALING FOAM |                           | 1    |     |
|      | PART NO.  |              | REMARK                    |      | KIT |