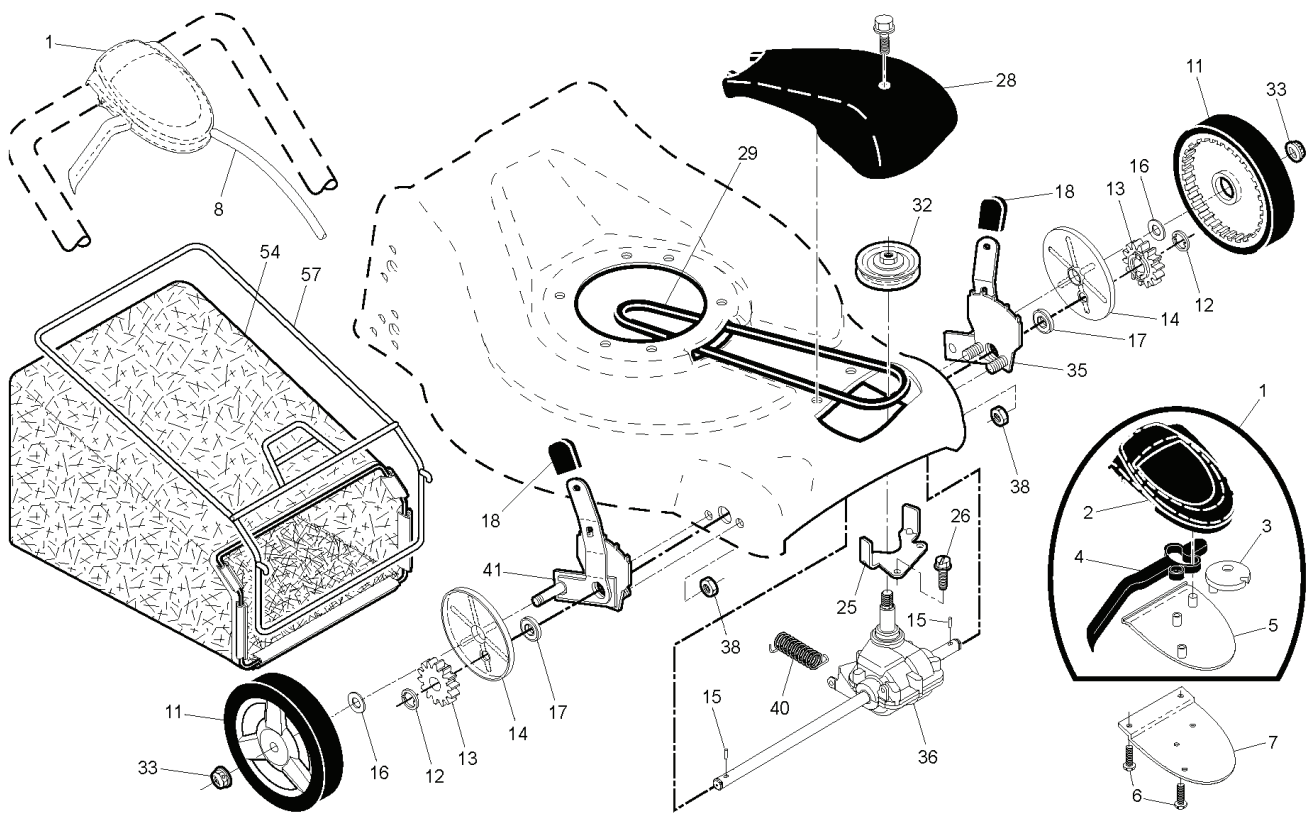
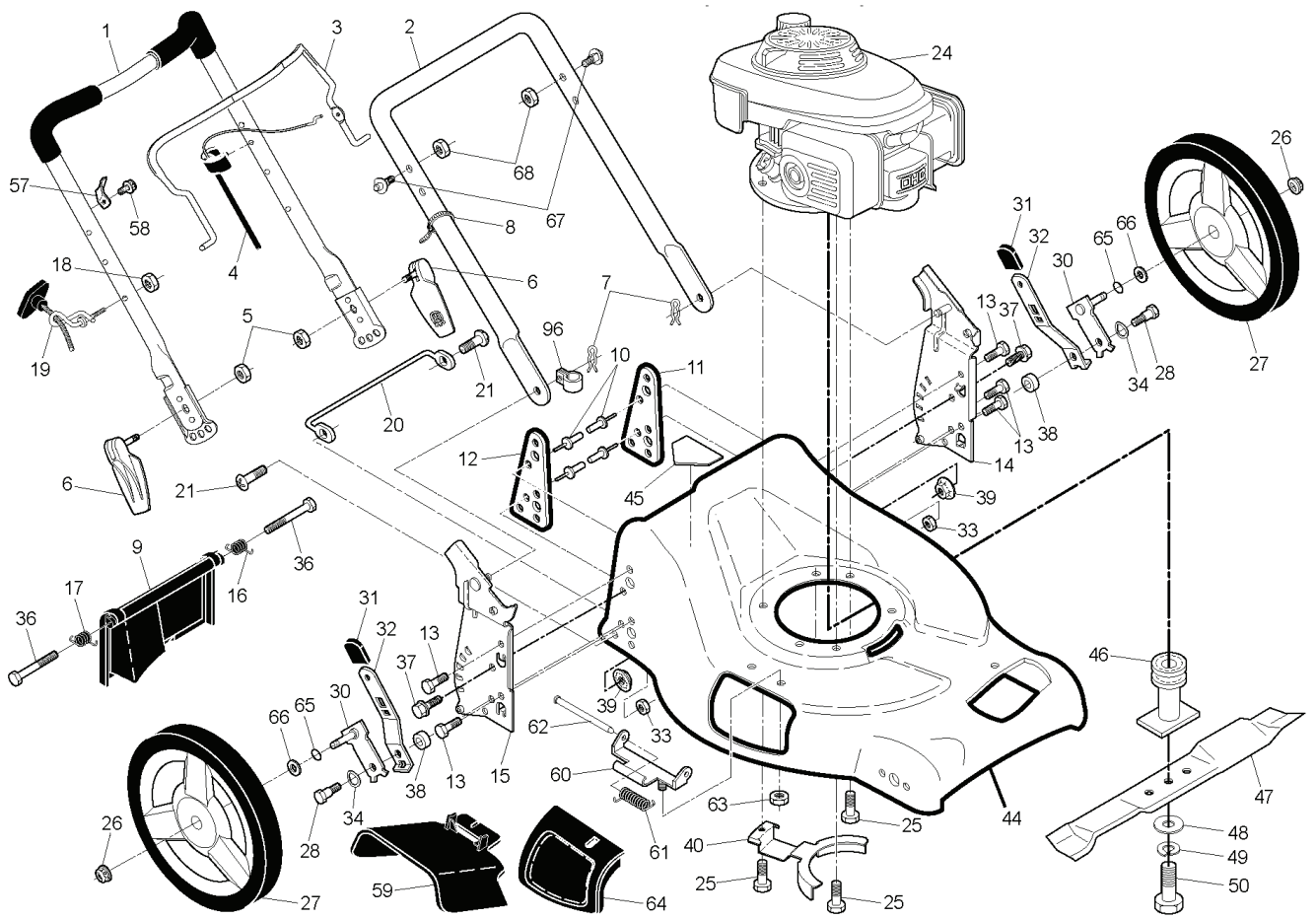


R53 SV, 96141019303, 2010-01

SPARE PARTS LIST



REF.	PART NO.	DESCRIPTION	REMARK	QTY.	KIT
1	532425661	DRIVE CONTROL		1	
2	532411673	COVER		1	
3	532406262	PULLEY		1	
4	532425662	LEVER		1	
5	532411664	COVER		1	
6	532181698	SCREW		1	
7	532400723	BRACKET		1	
8	532406259	CABLE ASSY		1	
11	532411081	WHEEL		1	
12	812000058	E-CLIP		1	
13	532403849	PINION		1	
14	532189403	DUST COVER		1	
15	532404845	PAWL DRIVE		1	
16	532067725	WASHER		1	
17	532191039	BEARING		1	
18	532701037	KNOB		1	
25	532411663	GUIDE COURROIE		1	
26	532163409	SCREW		1	
28	532432664	COVER		1	
29	532194149	BELT		1	
32	532194018	PULLEY		1	
33	532409148	NUT		1	
35	532424201	ADJUSTER		1	
36	532404833	GEARCASE ASSEMBLY, COMPLETE		1	
38	873800400	NUT		1	
40	532406558	SPRING		1	
41	532424200	ADJUSTER		1	
54	532401903	BAG		1	
57	532411950	FRAME		1	



REF.	PART NO.	DESCRIPTION	REMARK	QTY.	KIT
1	532420577	HANDLE		1	
2	532420510	HANDLE		1	
3	532426812	BAR		1	
4	532415350	CONTROL CABLE		1	
5	532191730	NUT		1	
6	532432018	KNOB		1	
7	532051793	PIN		1	
8	532066426	HOOP		1	
9	532406985	DEFLECTOR		1	
10	532128415	RIVET		1	
11	532410540	BRACKET		1	
12	532410542	BRACKET		1	
13	817060410	SCREW		1	
14	532417812	HANDLE BRACKET		1	
15	532417811	HANDLE BRACKET		1	
16	532405417	SPRING		1	
17	532405418	SPRING		1	
18	532132004	NUT		1	
19	532194788	GUIDE		1	
20	532413543	FOOT.GUARD.21.DOMED.CE*SUBS/2*		1	
21	817490416	SCREW		1	
24	000000000	W/O DESCRIPTION	HONDA GCV160-AS3H2-EA	1	
25	532150406	BOLT		1	
26	532409149	NUT		1	
27	532410815	WHEEL ASSY		1	
28	532401638	BOLT		1	
30	532413141	ARM		1	
31	532701037	KNOB		1	
32	532409889	SELECTOR SPRING		1	
33	873800500	LOCK NUT		1	
34	532401630	WASHER		1	
36	532184193	BOLT		1	
37	874780512	SCREW		1	
38	532401629	SPACER		1	
39	532155377	NUT		1	
40	532425711	BELT GUARD		1	
44	532408016	KIT.HSG.21.FGD.MC.ORG.*SUBS/2*	(Includes Key Numbers 10, 11, 12 and 45)	1	
45	532182166	DECAL		1	
46	532432279	ADAPTER		1	
47	532199377	MOWER BLADE		1	
48	532851074	WASHER		1	
49	532850263	WASHER		1	
50	532851084	SCREW		1	
57	532430034	BRACKET		1	
58	532750634	SCREW		1	
59	532185582	DEFLECTOR		1	
60	532175735	HINGE		1	
61	532193000	HINGE		1	
62	532175650	ROD		1	
63	873800400	NUT		1	
64	532185576	DOOR		1	
65	532197480	O-RING		1	
66	532088348	WASHER		1	
67	532199255	PEN		1	
68	532751153	NUT		1	
96	532197991	CLIP		1	
--	532182191	LABEL WARNING		1	
--				1	