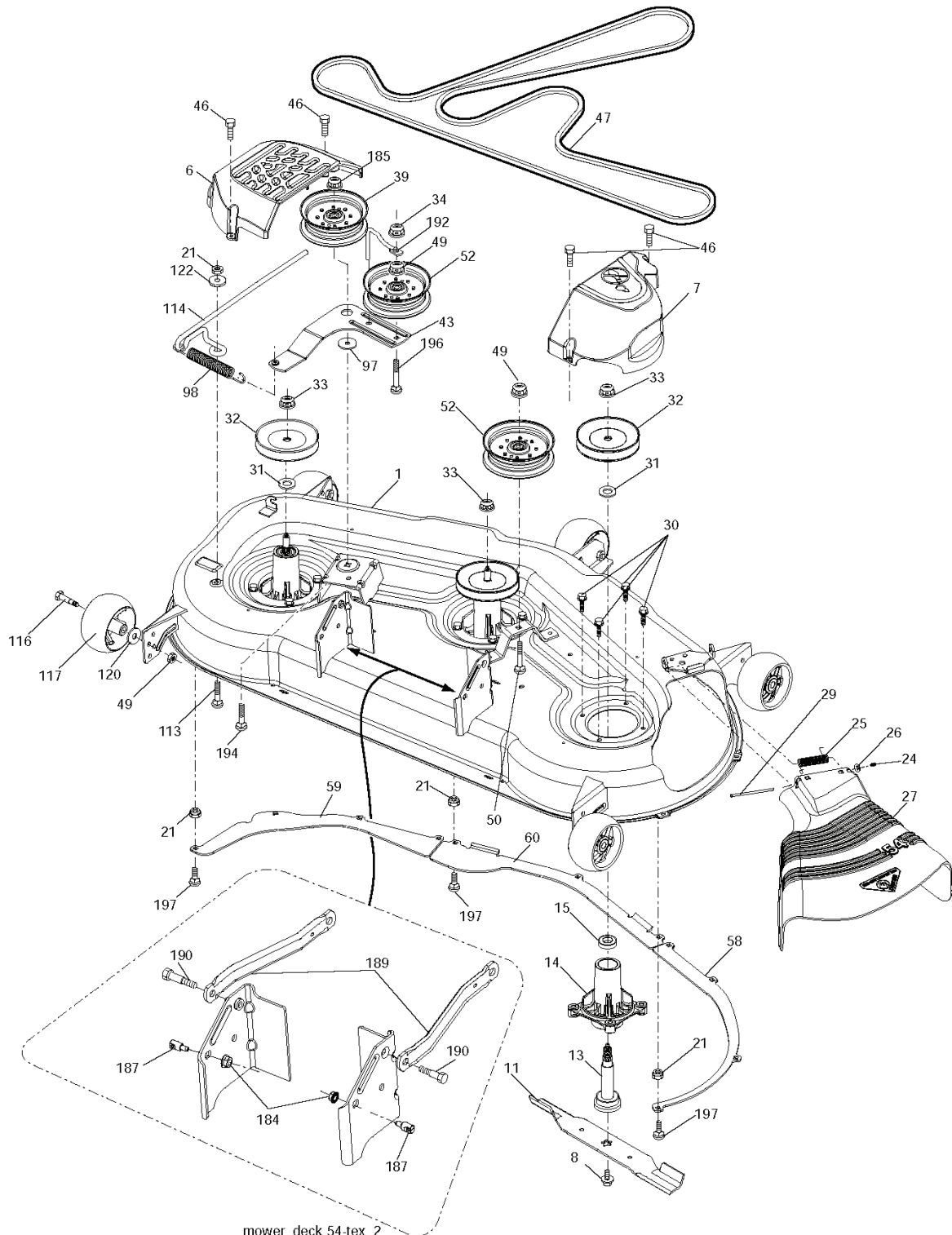


GTH260 TWIN, 96041004500, 2007-02

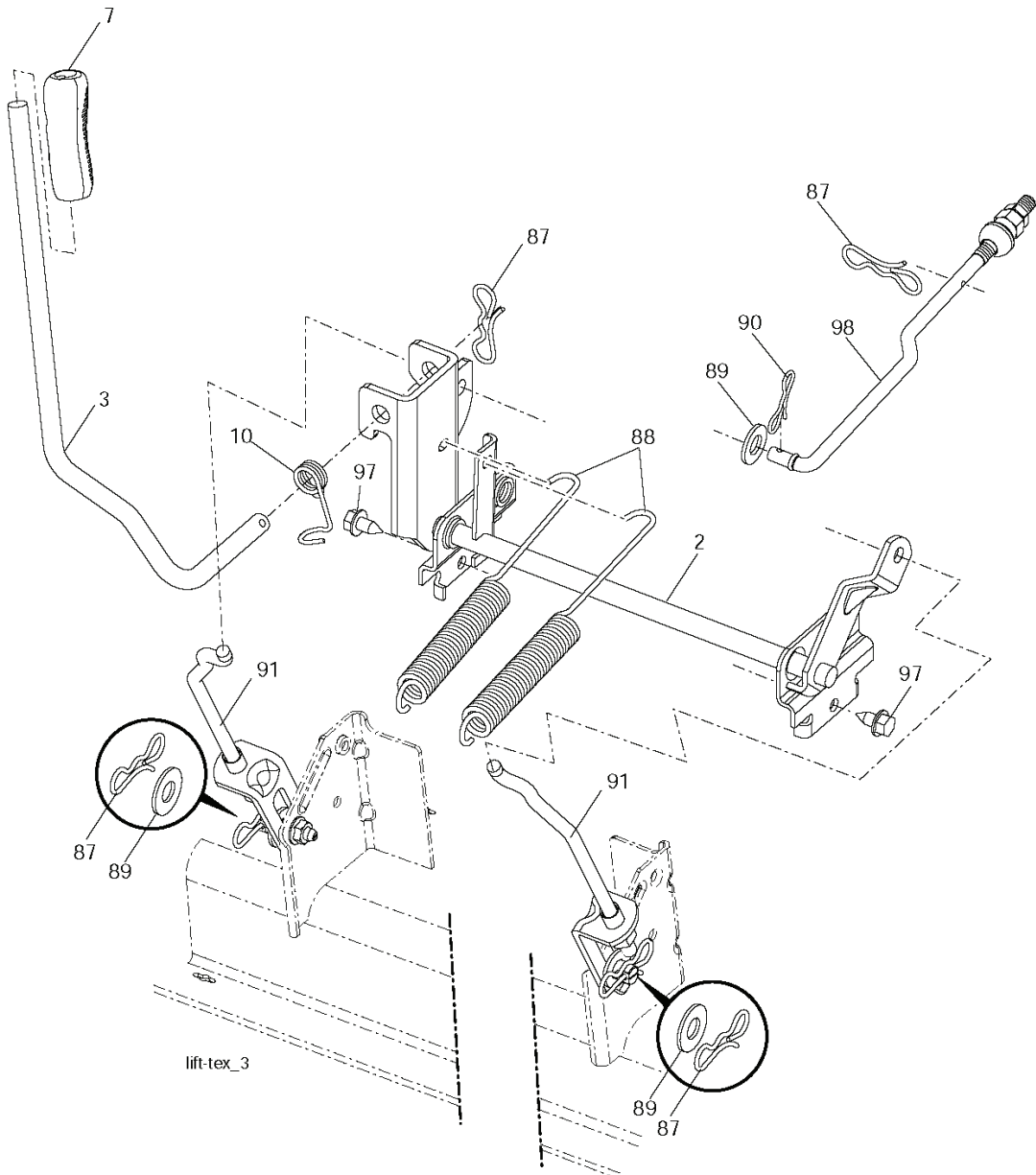
---

# **SPARE PARTS LIST**



mower\_deck 54-tex\_2

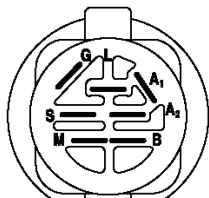
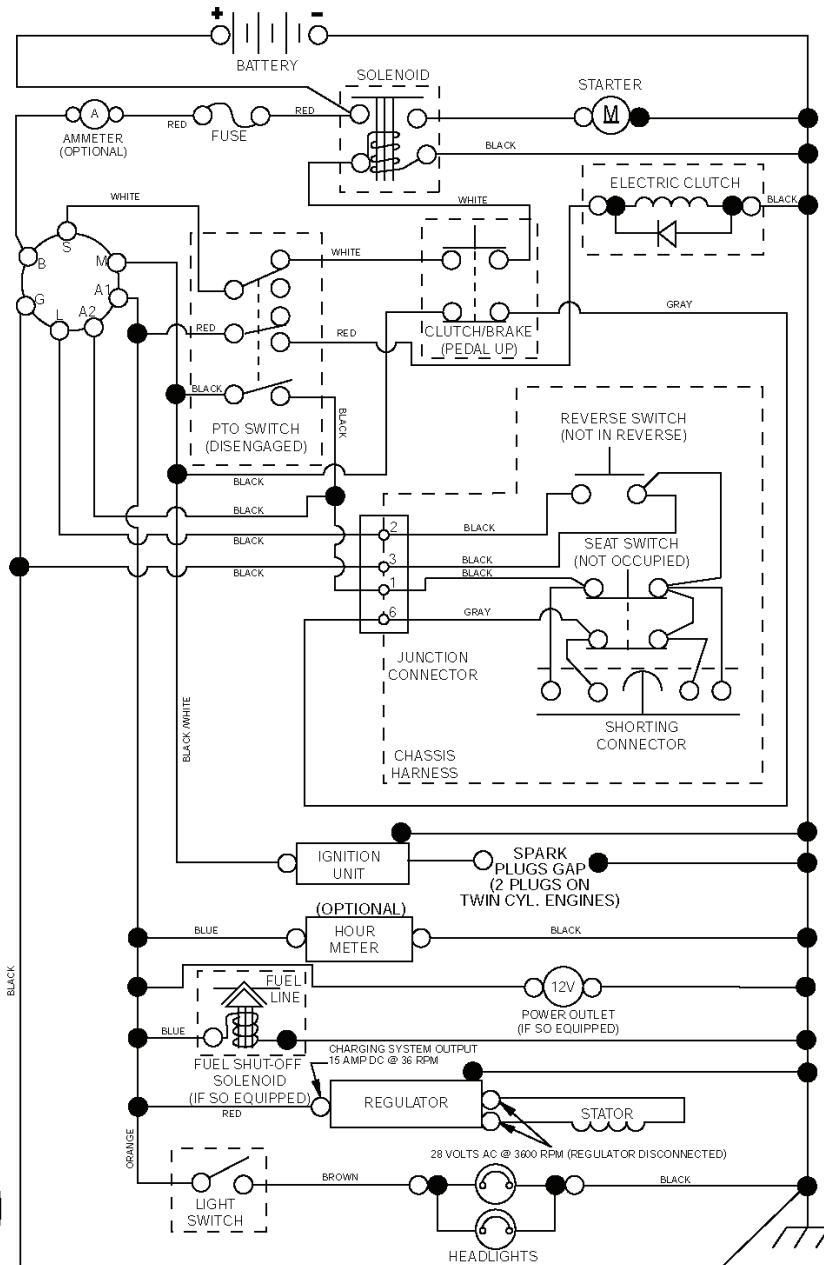
REF.	PART NO.	DESCRIPTION	REMARK	QTY.	KIT
1	532195632	DECK		1	
6	532196066	COVER		1	
7	532197181	COVER		1	
8	532174365	BOLT		1	
11	532401286	BLADE		1	
13	532187291	SHAFT		1	
14	532187281	BEARING HOUSING		1	
15	532110485	BEARING		1	
21	873680500	NUT		1	
24	532105304	HUB CAP		1	
25	532178102	SPRING		1	
26	532110452	NUT		1	
27	532188938	DEFLECTOR		1	
29	532131491	SHAFT		1	
30	532173984	SCREW		1	
31	532187690	WASHER		1	
32	532153535	PULLEY		1	
33	532400234	NUT		1	
34	873680600	NUT		1	
39	532197380	PULLEY		1	
43	532196065	ARM		1	
46	532137729	SCREW		1	
47	532196103	BELT		1	
49	873900600	NUT		1	
50	872110616	BOLT		1	
52	532197379	PULLEY		1	
58	532187342	BAFFLE		1	
59	532187344	BAFFLE		1	
60	532187607	BAFFLE		1	
97	532178515	WASHER		1	
98	532196105	SPRING		1	
113	872110508	BOLT		1	
114	532187556	ROD TENSION RELIEF		1	
116	532193406	BOLT		1	
117	532174873	WHEEL		1	
120	819132012	WASHER		1	
122	532187557	BUSHING		1	
184	873900500	NUT		1	
185	873900700	NUT		1	
187	532195161	STUD		1	
189	532195185	ARM		1	
190	532196539	BOLT		1	
192	532198468	BELT GUIDE		1	
194	872140716	BOLT		1	
196	872140620	BOLT		1	
197	872140508	BOLT		1	
--	532187292	MANDREL		1	
--	532401725	HOUSING		1	



lift-tex\_3

---

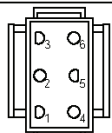
REF.	PART NO.	DESCRIPTION	REMARK	QTY.	KIT
2	532195223	SHAFT		1	
3	532195230	LEVER		1	
7	532411555	GRIP		1	
10	532196314	SPRING		1	
87	532194209	SPRING		1	
88	532195304	SPRING		1	
89	819191912	WASHER		1	
90	532194208	PIN		1	
91	532403407	LINK		1	
97	817060612	SCREW		1	
98	532195264	LINK		1	



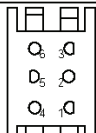
**IGNITION SWITCH**

POSITION	CIRCUIT	"MAKE"
OFF	M+G+A1	
RUN/OVERRIDE	B+A1	
RUN	B+A1	L+A2
START	B+S+A1	

02928



CHASSIS HARNESS CONNECTOR (MATING SIDE)



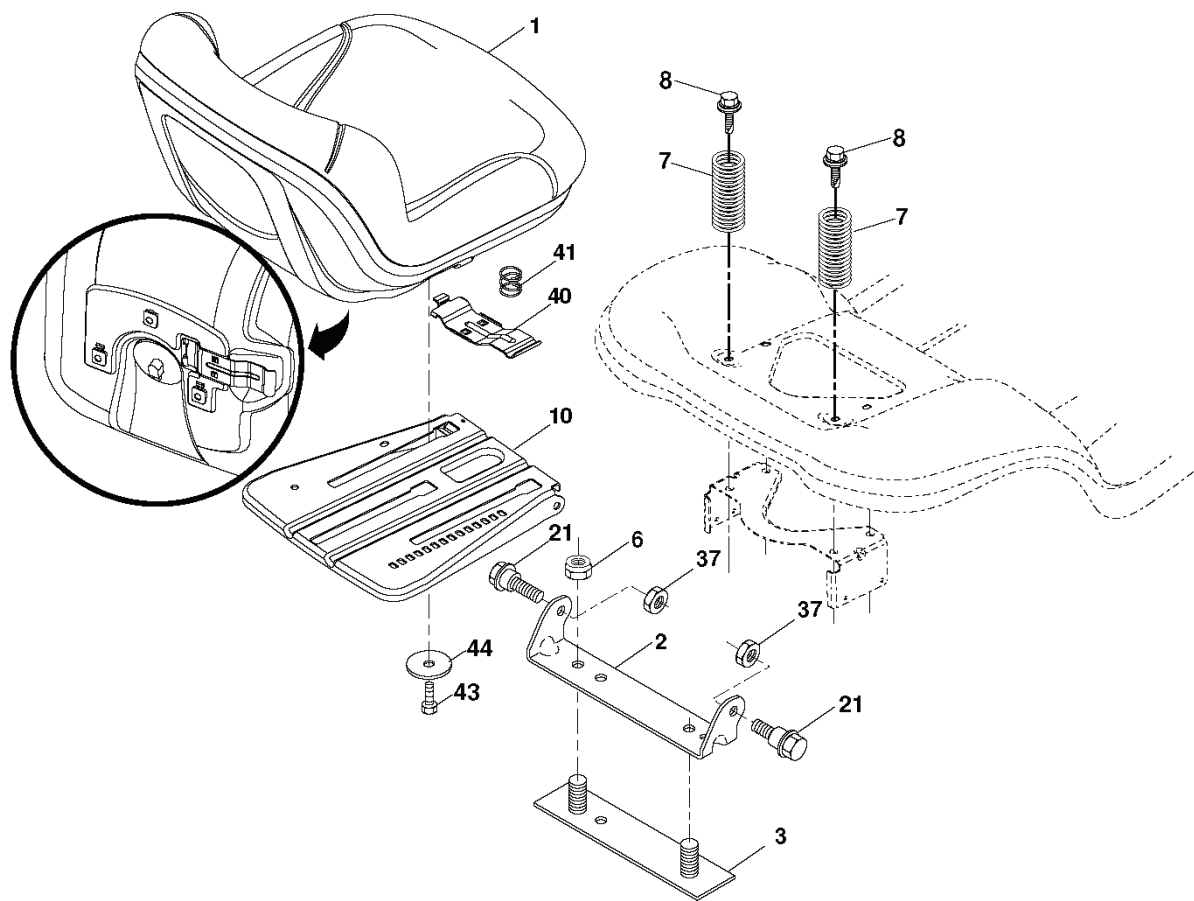
DASH HARNESS CONNECTOR (MATING SIDE)

**WIRING INSULATED CLIPS**  
**NOTE:** IF WIRING INSULATED CLIPS WERE REMOVED FOR SERVICING OF UNIT, THEY SHOULD BE REPLACED TO PROPERLY SECURE YOUR WIRING.

● —●  
 NON-REMOVABLE CONNECTIONS

○ —○  
 REMOVABLE CONNECTIONS

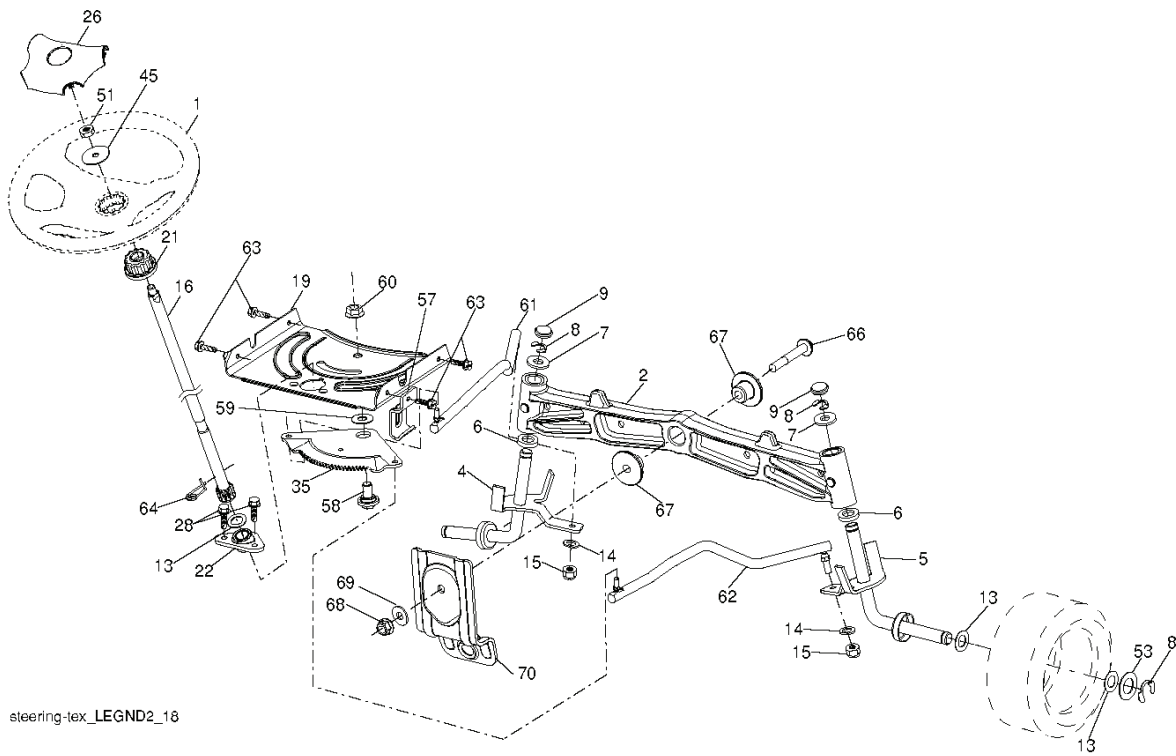




seat-tex\_7-vgt

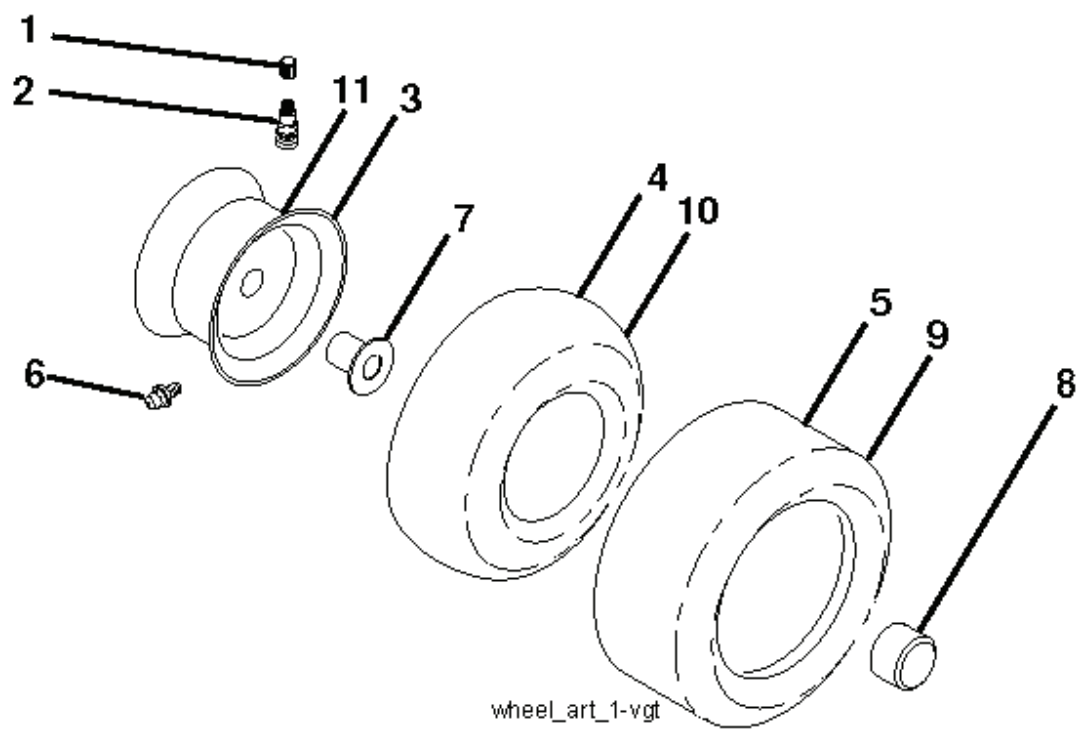
---

REF.	PART NO.	DESCRIPTION	REMARK	QTY.	KIT
1	532406621	SEAT		1	
2	532180166	BRACKET		1	
3	532140675	STRAP		1	
6	873800600	NUT		1	
7	532124181	SPRING		1	
8	532171877	BOLT		1	
10	532196977	PLATE		1	
21	532171852	BOLT		1	
37	873800500	LOCK NUT		1	
40	532197661	HANDLE		1	
41	532198200	SPRING		1	
43	874760612	BOLT		1	
44	819133812	WASHER		1	



steering-lex\_LEGND2\_18

REF.	PART NO.	DESCRIPTION	REMARK	QTY.	KIT
1	532193651	STEERING WHEEL		1	
2	532195968	SHAFT		1	
4	532403089	SPINDLE SHAFT		1	
5	532403090	SPINDLE SHAFT		1	
6	532124931	WASHER		1	
7	532121748	WASHER		1	
8	812000029	RETAINER RING		1	
9	532121232	HUB CAP		1	
13	532121749	WASHER		1	
14	810040600	WASHER		1	
15	873540600	NUT		1	
16	532194746	SHAFT		1	
19	532194729	PLATE		1	
21	532186737	ADAPTER		1	
22	532194845	BUSHING		1	
26	532193652	HUB		1	
28	817000612	SCREW		1	
35	532194732	PLATE		1	
45	819183812	WASHER		1	
51	873940800	NUT		1	
53	532188967	WASHER		1	
57	532197246	BRACKET		1	
58	532194747	BOLT		1	
59	532194748	WASHER		1	
60	873971000	NUT		1	
61	532194740	LINK		1	
62	532194741	LINK		1	
63	817000512	SCREW		1	
64	532199849	SPRING RETAINER		1	
66	871020748	BOLT		1	
67	532194737	BUSHING		1	
68	873900700	NUT		1	
69	532199162	WASHER		1	
70	532196197	BRACKET		1	



---

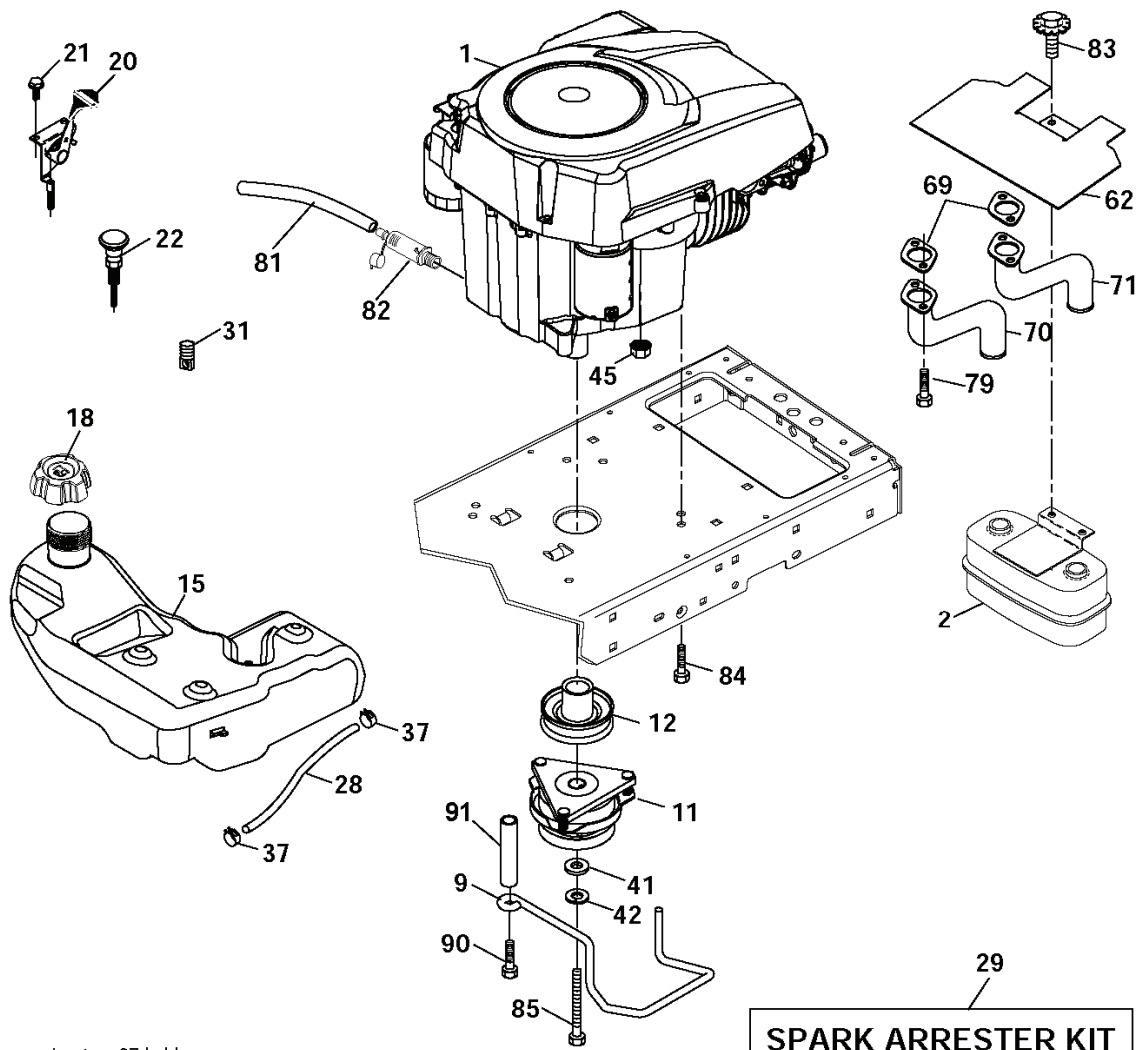
REF.	PART NO.	DESCRIPTION	REMARK	QTY.	KIT
1	532059192	CAP VALVE		1	
2	532065139	NIPPLE		1	
3	532144509	RIM SPROCKET		1	
4	532059904	HOSE		1	
5	532106230	TIRE		1	
6	532124957	FITTING		1	
7	532124959	BEARING		1	
8	532175039	HUB CAP		1	
9	532105588	TIRE		1	
10	532124926	HOSE		1	
11	532144510	WHEEL		1	
--	532144334	SEALING FOAM		1	



REF.	PART NO.	DESCRIPTION	REMARK	QTY.	KIT
1				1	
2	532007070	KEY		1	
3	532007563	WASHER		1	
7	532199837	WHEEL		1	
9	532140080	BOLT		1	
15	819131316	WASHER		1	
17	532197296	SPRING		1	
26	532199679	SPRING		1	
29	532197269	ROD		1	
33	812000053	E-CLIP		1	
35	532199591	ROD		1	
42	532123533	PEDAL RUBBER		1	
49	872110614	BOLT		1	
50	532194327	PULLEY		1	
51	873900600	NUT		1	
52	532194326	PULLEY		1	
56	532165813	BELT		1	
64	532197865	SHAFT		1	
69	532123800	WASHER		1	
70	532400530	PANEL		1	
73	874490548	BOLT		1	
74	532142432	SCREW		1	
92	874760520	BOLT		1	
106	532142917	VALVE		1	
107	532410481	TUBE		1	
114	873800500	LOCK NUT		1	
116	873900500	NUT		1	
121	532175611	CHAPPE DE FIXATION		1	
122	872010520	BOLT		1	
125	817000512	SCREW		1	
142	532404483	STRAP		1	
143	817490508	SCREW		1	
145	532163168	WASHER		1	
153	532124788	RETAINER RING		1	
158	532194351	BELT GUIDE		1	
159	876020412	SPLIT PIN		1	
160	532169484	PIN		1	
161	532195403	SPRING		1	
163	532197870	ROD		1	
166	532197290	NUT		1	
167	532405257	LATCH		1	
170	532194322	KEEPER		1	
171	872110616	BOLT		1	
184	532403118	CONTROL		1	
185	872110620	BOLT		1	
186	532194321	SPACER		1	
187	819133210	WASHER		1	
188	532194323	LINK		1	
189	532194317	PLATE		1	
190	532194318	BELT GUIDE		1	
195	532405113	RETAINER		1	
196	817000616	SCREW		1	
197	532199769	BRACKET		1	
200	873930500	NUT		1	
203	819111116	WASHER		1	
206	532197867	BRACKET		1	
207	532197868	LATCH		1	
208	532197869	SUPPORT		1	
209	532199592	ROD		1	
210	532197860	ARM		1	
211	532120183	BEARING		1	
213	532403119	CONTROL		1	
214	532401722	PEDAL		1	
215	532401723	PEDAL		1	
216	532196131	BRACKET		1	
218	874780520	BOLT		1	
220	532198908	LENS		1	
221	532403187	SPRING		1	
222	819212010	WASHER		1	



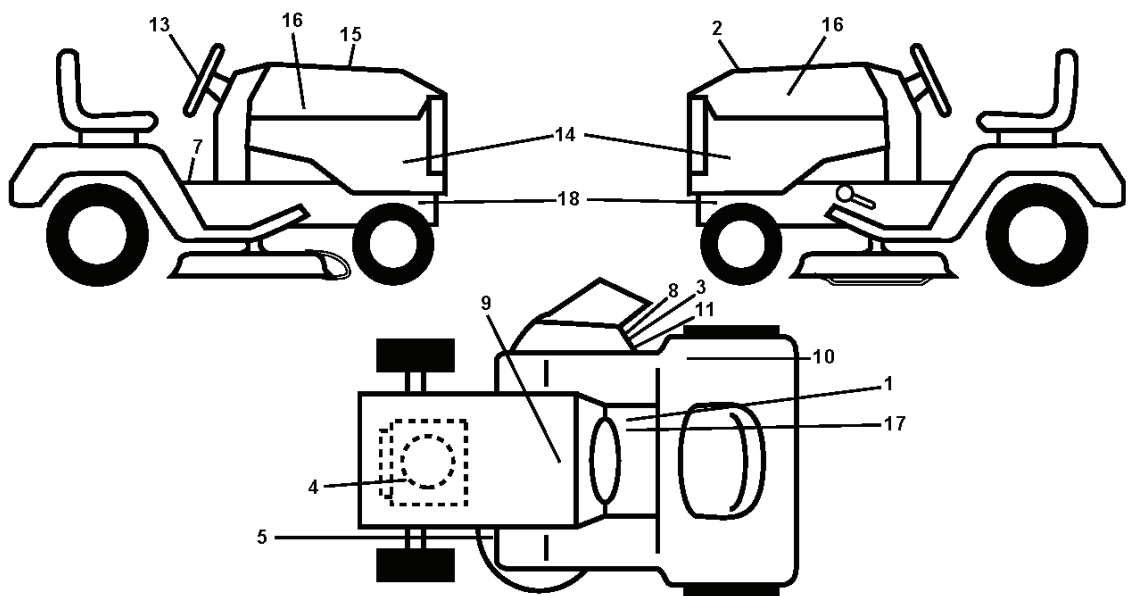
REF.	PART NO.	DESCRIPTION	REMARK	QTY.	KIT
1	532144927	BATTERY		1	
2	874760412	BOLT		1	
8	532186491	BOX		1	
16	532176138	MICRO SWITCH		1	
21	532183759	HARNESS		1	
22	532004152	BULB		1	
24	532400253	CABLE		1	
25	532198893	CABLE		1	
26	532175158	FUSE		1	
27	873510400	NUT		1	
28	532145491	CABLE		1	
29	532401545	SWITCH		1	
30	532193350	IGNITION MODULE		1	
33	532140401	KEY		1	
34	532110712	SWITCH		1	
40	532401104	CABLE ASSY		1	
41	817720408	SCREW		1	
42	532131563	COVER		1	
43	532192507	SOLENOID		1	
46	532401763	DISPLAY		1	
50	532174651	SWITCH		1	
55	817490508	SCREW		1	
71	532194276	CABLE ASSY		1	
90	532400724	COVER		1	
91	532190270	STRAP BATTERY MOUNT FRO		1	
99	817670412	SCREW		1	
100	819091416	WASHER		1	
101	532198317	CABLE		1	



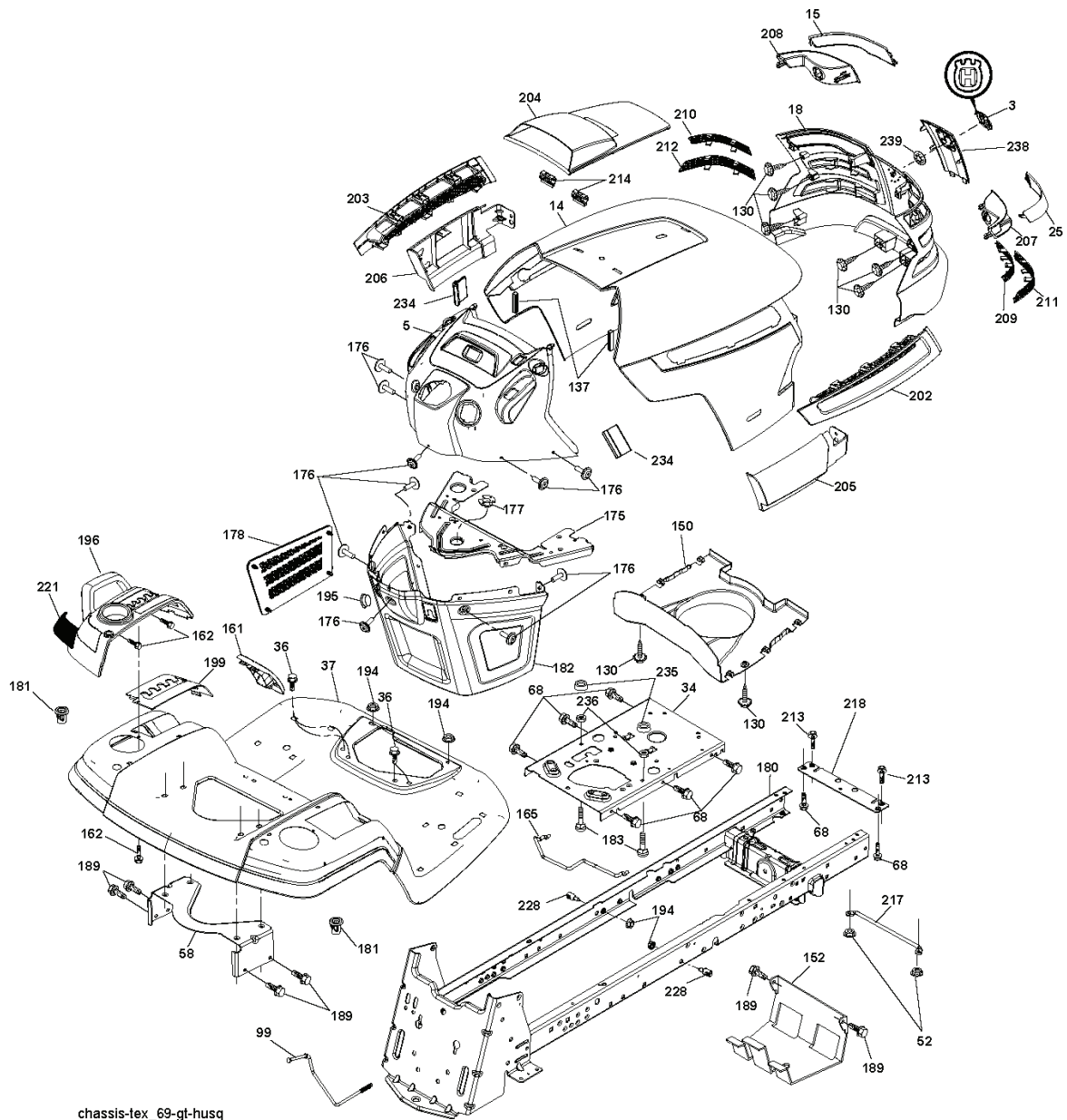
engine-tex\_27-kohl

SPARK ARRESTER KIT

REF.	PART NO.	DESCRIPTION	REMARK	QTY.	KIT
1				1	
2	532149723	MUFFLER		1	
9	532194320	BELT GUIDE		1	
11	532179335	CLUTCH		1	
12	532194343	PULLEY		1	
15	532193499	FUEL TANK		1	
18	532194267	FUEL CAP		1	
20	532182937	THROTTLE CONTROL		1	
21	532191611	SCREW		1	
22	532191596	COMMA*RPLPAR 532187767428		1	
28	532008543	HOSE		1	
29	532137180	SPARK ARRESTER KIT		1	
31	532145006	CLIP		1	
37	532123487	HOSE CLAMP		1	
41	532126197	WASHER		1	
42	810040700	WASHER		1	
45	873510400	NUT		1	
62	532146629	HEAT SHIELD		1	
69	532186054	GASKET MUFFLER	Gasket (Order from Engine Mfgr.)	1	
70	532146699	PIPE		1	
71	532146700	PIPE		1	
79	532192334	SCREW		1	
81	532148456	TUBE		1	
82	532181654	PLUG		1	
84	817120616	SCREW		1	
85	532179953	BOLT		1	
83	532198239	BOLT		1	
90	817000616	SCREW		1	
91	532187495	BUSHING		1	



REF.	PART NO.	DESCRIPTION	REMARK	QTY.	KIT
1	532178302	DECAL		1	
2	532402128	LABEL		1	
3	532196357	DECALC:"DANGER DEFLECTEUR"		1	
4	532196841	DECAL		1	
5	532159737	DECAL		1	
7	532400389	LABEL		1	
8	532198785	LABEL		1	
9	532145005	DECAL		1	
10	532180433	DECAL		1	
11	532182166	DECAL		1	
13	532404484	LABEL		1	
14	532408845	DECAL		1	
15	532408797	DECAL		1	
16	532402832	LABEL		1	
17	532140837	DECAL		1	
18	532159736	DECAL		1	
--	532162598	DECAL		1	
--	532166960	DECAL		1	
--	532401771	FOOTREST		1	
--	532403773	FOOTREST		1	
--	532408917	OPERATOR'S MANUAL		1	
--	532408912	OPERATOR'S MANUAL		1	
--	532408913	OPERATOR'S MANUAL		1	
--	532408914	OPERATOR'S MANUAL		1	



chassis-tex\_69-gt-husq

REF.	PART NO.	DESCRIPTION	REMARK	QTY.	KIT
3	532405012	LOGOTYPE		1	
5	532408701	PANEL		1	
14	532411046	HOOD		1	
15	532198907	LENS		1	
18	532408607	FRONT COVER		1	
25	532198906	LENS		1	
34	532196125	PLATE		1	
36	817060512	SCREW		1	
37	532401825	FENDER		1	
52	873680500	NUT		1	
58	532194314	BRACKET		1	
68	817490508	SCREW		1	
99	532197273	ROD		1	
130	532191611	SCREW		1	
137	532407590	DAMPING PIECE		1	
150	532198512	BRACKET		1	
152	532199535	SHIELD		1	
161	532401826	CONSOLE		1	
162	532142432	SCREW		1	
165	532196826	BRACKET		1	
175	532196304	SUPPORT		1	
176	532400776	SCREW		1	
177	532195227	BUSHING		1	
178	532199782	NET		1	
180	532195477	FRAME		1	
181	532403025	BUSHING		1	
182	532194787	PANEL		1	
183	874780520	BOLT		1	
194	873900500	NUT		1	
195	532404137	TROU*RPLPAR 532401556428		1	
196	532400299	CONSOLE		1	
199	532198259	PLATE		1	
202	532403048	LIST		1	
203	532403076	LIST		1	
204	532198904	AIR CONDUCTOR		1	
205	532401709	LIST		1	
206	532401711	LIST		1	
207	532197198	LENS		1	
208	532197199	LENS		1	
209	532199130	INSERT		1	
210	532199131	INSERT		1	
211	532199132	INSERT		1	
212	532199133	INSERT		1	
213	874760512	BOLT		1	
214	532199145	CLIP		1	
217	532156524	SHAFT		1	
218	532196395	PLATE		1	
221	532198909	LENS		1	
228	532195161	STUD		1	
234	532404742	DAMPING PIECE		1	
235	532406129	SPACER		1	
236	873930500	NUT		1	
238	532408606	PLATE		1	
239	532110452	NUT		1	
			REMARK		KIT