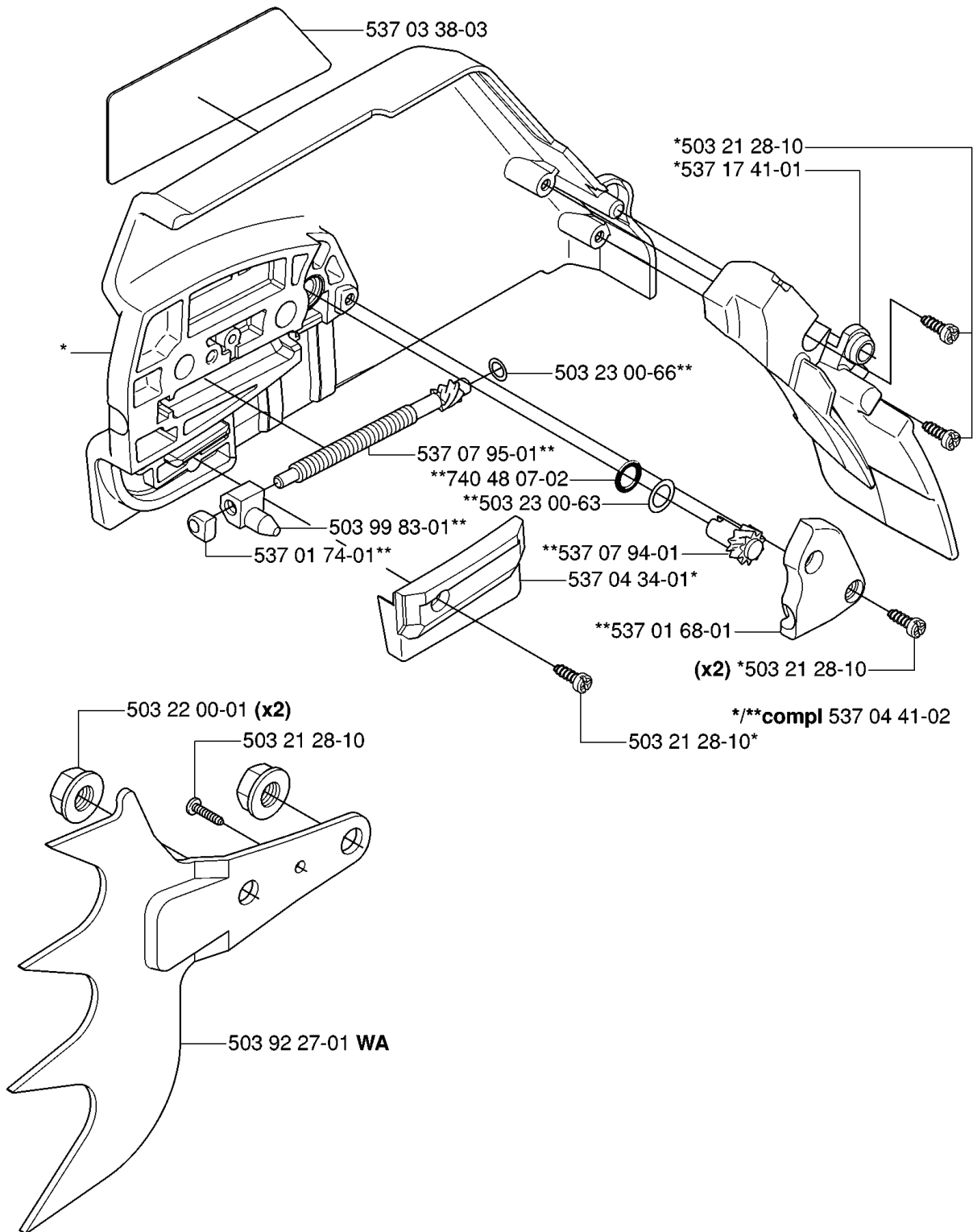


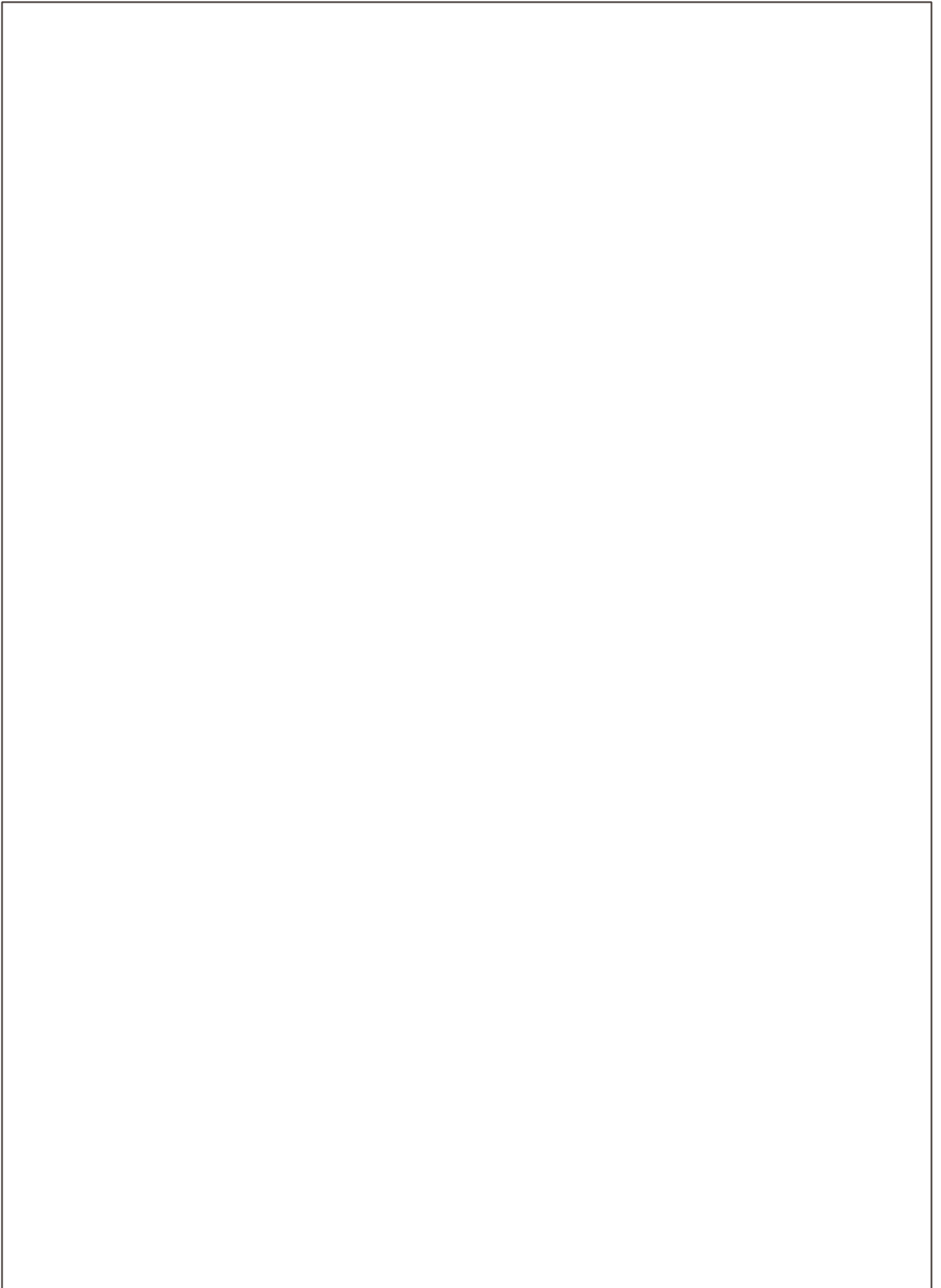
570 EPA, 20070100001-Current

SPARE PARTS LIST

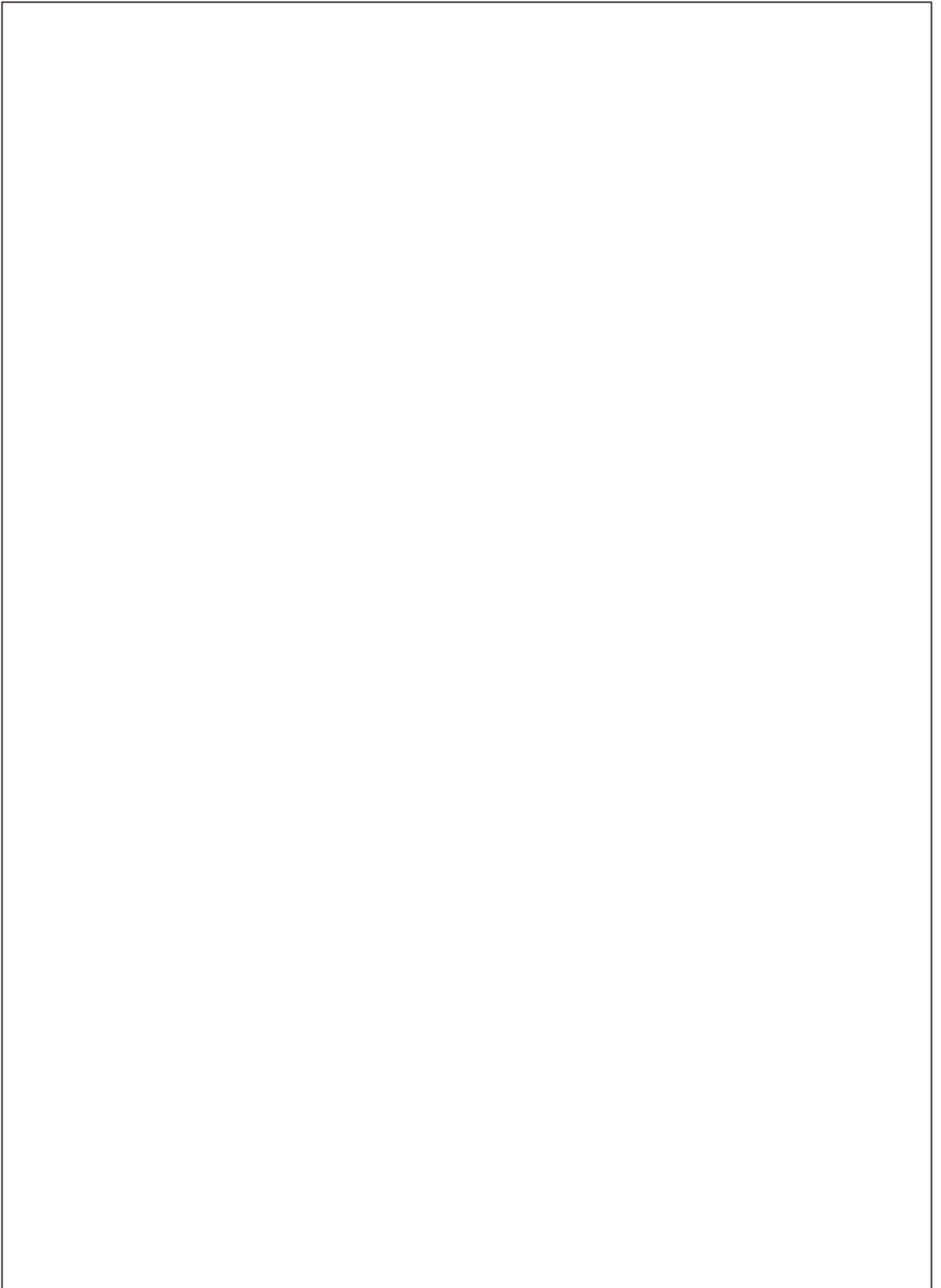
A *compl 537 33 10-01 WA



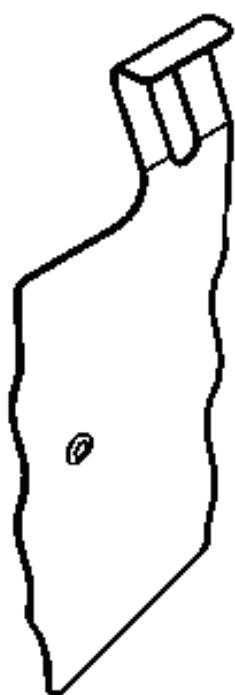
REF.	PART NO.	DESCRIPTION	REMARK	QTY.	KIT
537 33 10-01	537331001	CLUTCH COVER ASSY		1	
537 03 38-03	537033803	LABEL		1	
503 99 83-01	503998301	PAWL		1	
537 01 74-01	537017401	BEARING SLEEVE		1	
503 22 00-01	503220001	HEXAGON NUT		2	
503 21 28-10	503212810	SCREW CCRPANT		1	
503 92 27-01	503922701	SPIKE		1	
537 04 41-02	537044102	CHAIN TENSIONER		1	
537 01 68-01	537016801	COVER		1	
537 04 34-01	537043401	CHAIN GUIDE		1	
537 07 94-01	537079401	WORM WHEEL		1	
503 23 00-63	503230063	WASHER		1	
740 48 07-02	740480702	O-RING		1	
537 07 95-01	537079501	WORM SCREW		1	
503 23 00-66	503230066	WASHER		1	
537 17 41-01	537174101	CHIP GUARD		1	



REF.	PART NO.	DESCRIPTION	REMARK	QTY.	KIT
537 21 35-04	537213504	FUEL TANK		1	
537 20 55-01	537205501	COVER		1	
537 20 56-01	537205601	COVER		1	
537 21 11-01	537211101	THROTTLE CABLE		1	
544 32 49-06	544324906	FUEL HOSE		1	
537 35 95-01	537359501	TANK VENT ASSY		1	
537 20 57-01	537205701	COVER		1	
537 21 03-03	537210303	ANTIVIBRATION ELEMENT		1	
537 21 03-04	537210304	ANTIVIBRATION ELEMENT		1	
503 44 32-01	503443201	FUEL FILTER		1	
544 32 50-02	544325002	FUEL HOSE		1	
503 73 58-01	503735801	BUSHING		1	
720 12 40-20	720124020	PARALLEL PIN		1	
537 20 83-01	537208301	THROTTLE TRIGGER		1	
537 20 85-01	537208501	LEVER		1	
537 20 84-01	537208401	THROTTLE LOCKOUT		1	
503 57 89-01	503578901	HOLDER		1	
537 21 50-01	537215001	SEALING		1	
537 21 52-02	537215202	TANK CAP ASSY		1	
537 21 03-02	537210302	ANTIVIBRATION ELEMENT		1	
537 21 03-01	537210301	ANTIVIBRATION ELEMENT		1	
503 21 28-10	503212810	SCREW CCRPANT		1	
537 20 98-01	537209801	SPRING		1	

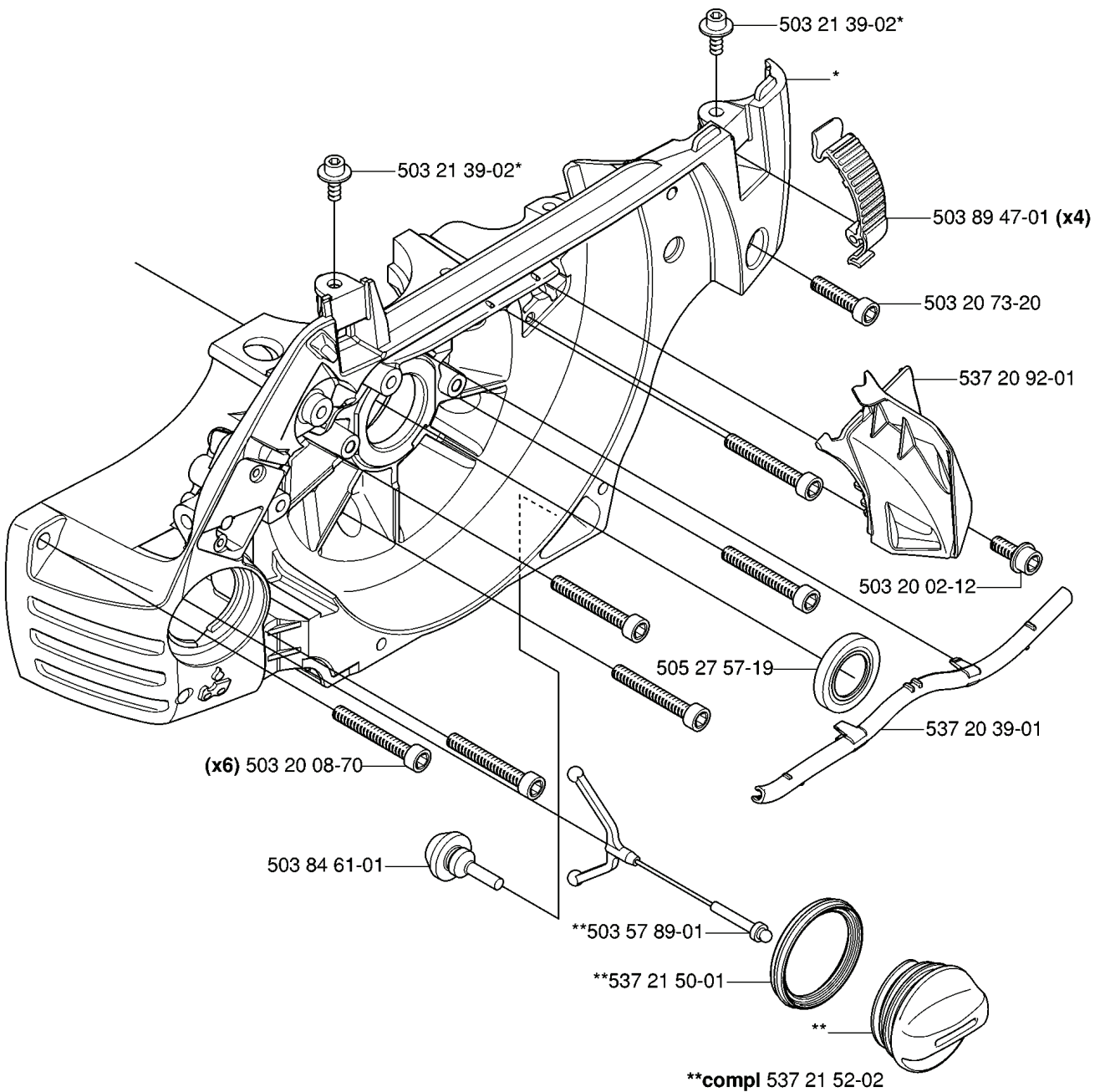


REF.	PART NO.	DESCRIPTION	REMARK	QTY.	KIT
537 20 86-01	537208601	SHORT CIRCUIT CABLE		1	
501 48 54-02	501485402	SPARK PLUG CAP		1	
544 04 72-01	544047201	IGNITION MODULE		1	
503 20 02-20	503200220	SCREW IHSCFM		2	
537 20 96-01	537209601	FLYWHEEL ASSY		1	
501 81 99-01	501819901	SCREW		2	
501 67 32-01	501673201	PAWL		2	
501 67 35-01	501673501	SPRING		2	
503 23 00-42	503230042	WASHER		2	
503 22 04-01	503220401	NUT		1	



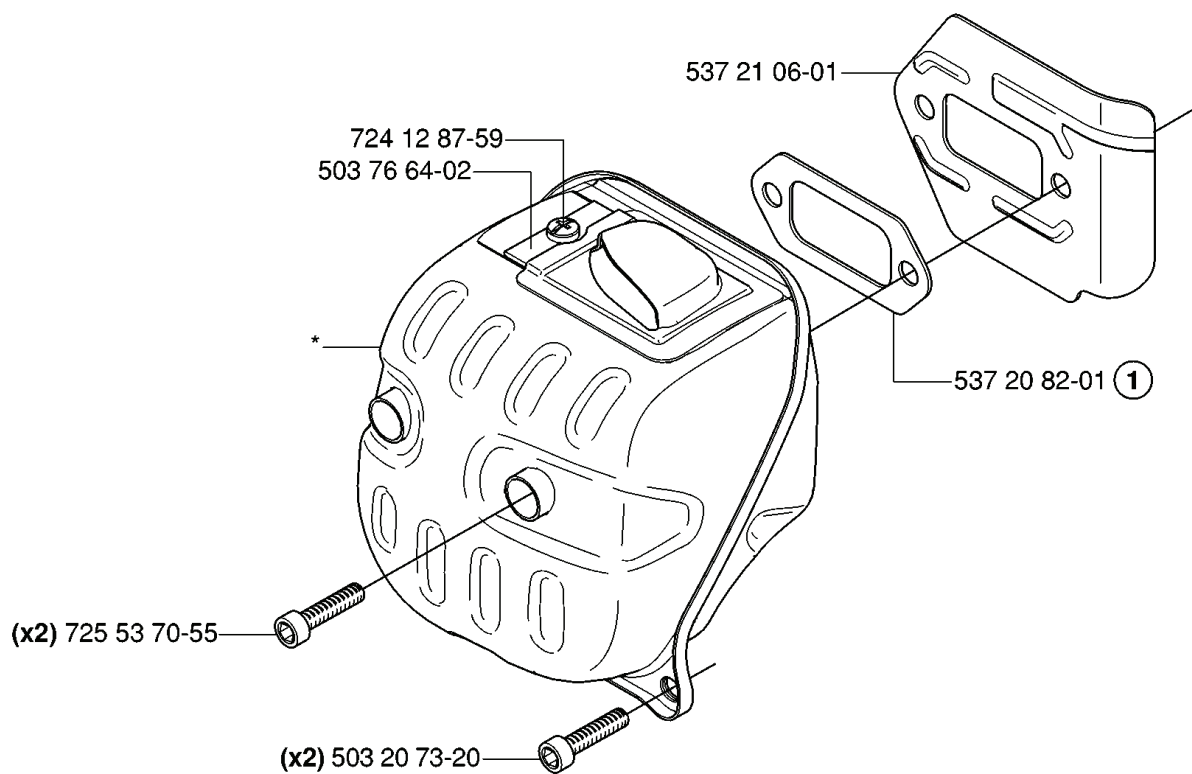
REF.	PART NO.	DESCRIPTION	REMARK	QTY.	KIT
537 21 24-01	537212401	WINTER KIT		1	
537 21 05-01	537210501	WINTER COVER		1	
503 21 70-16	503217016	SCREW CCRPANT		2	

M *compl 537 20 93-02



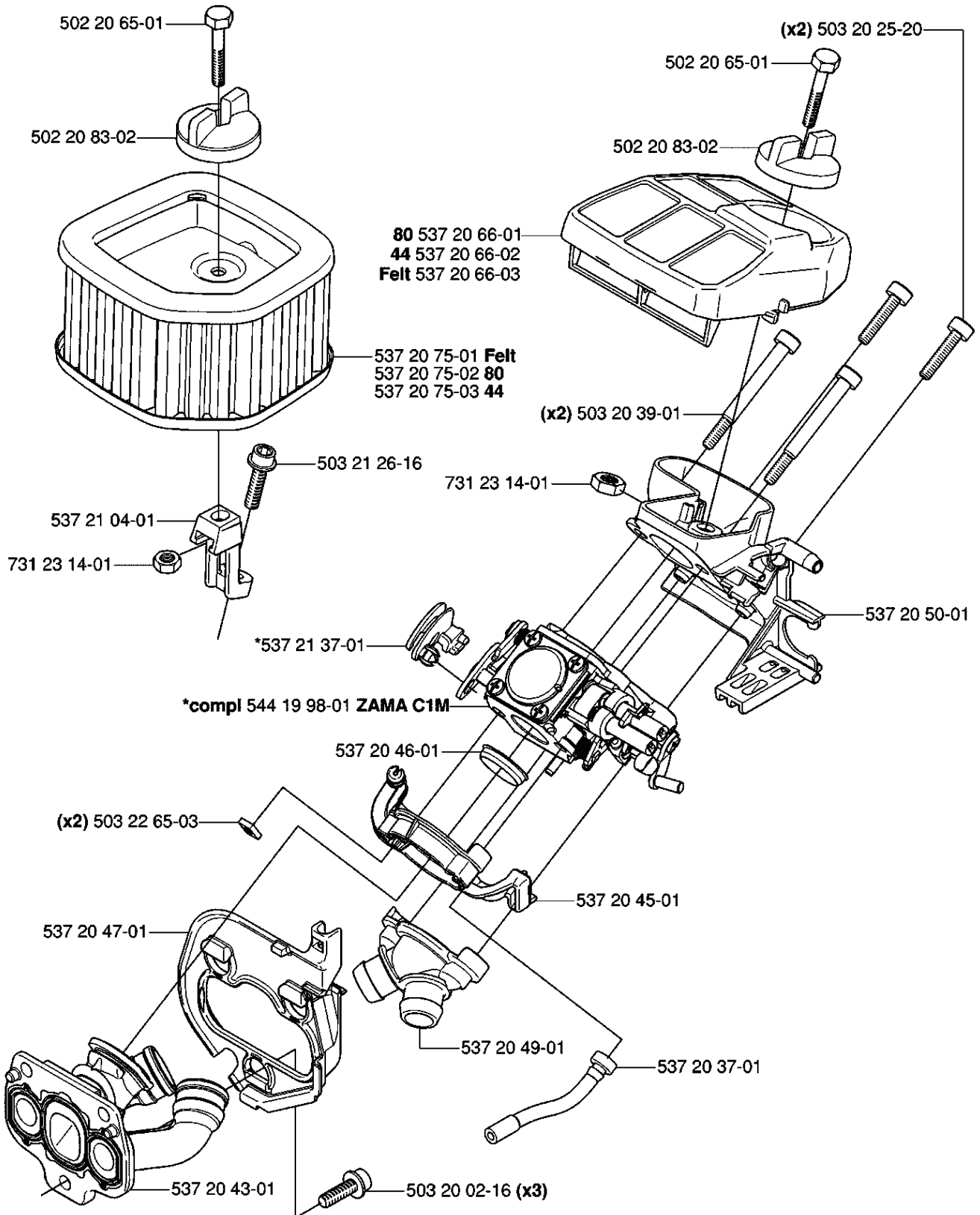
REF.	PART NO.	DESCRIPTION	REMARK	QTY.	KIT
537 20 93-02	537209302	CRANKCASE ASSY		1	
503 21 39-02	503213902	SCREW IHSC T		1	
503 20 08-70	503200870	SCREW IHSC M		6	
503 84 61-01	503846101	BUFFER		1	
503 57 89-01	503578901	HOLDER		1	
537 21 50-01	537215001	SEALING		1	
537 21 52-02	537215202	TANK CAP ASSY		1	
505 27 57-19	505275719	SEALING RING		1	
537 20 39-01	537203901	CABLE HOLDER		1	
503 20 02-12	503200212	SCREW IHSC FM		1	
537 20 92-01	537209201	AIR NOZZLE		1	
503 20 73-20	503207320	SCREW IHSC M		1	
503 89 47-01	503894701	SNAP LOCKING		4	

G *compl 537 20 67-01



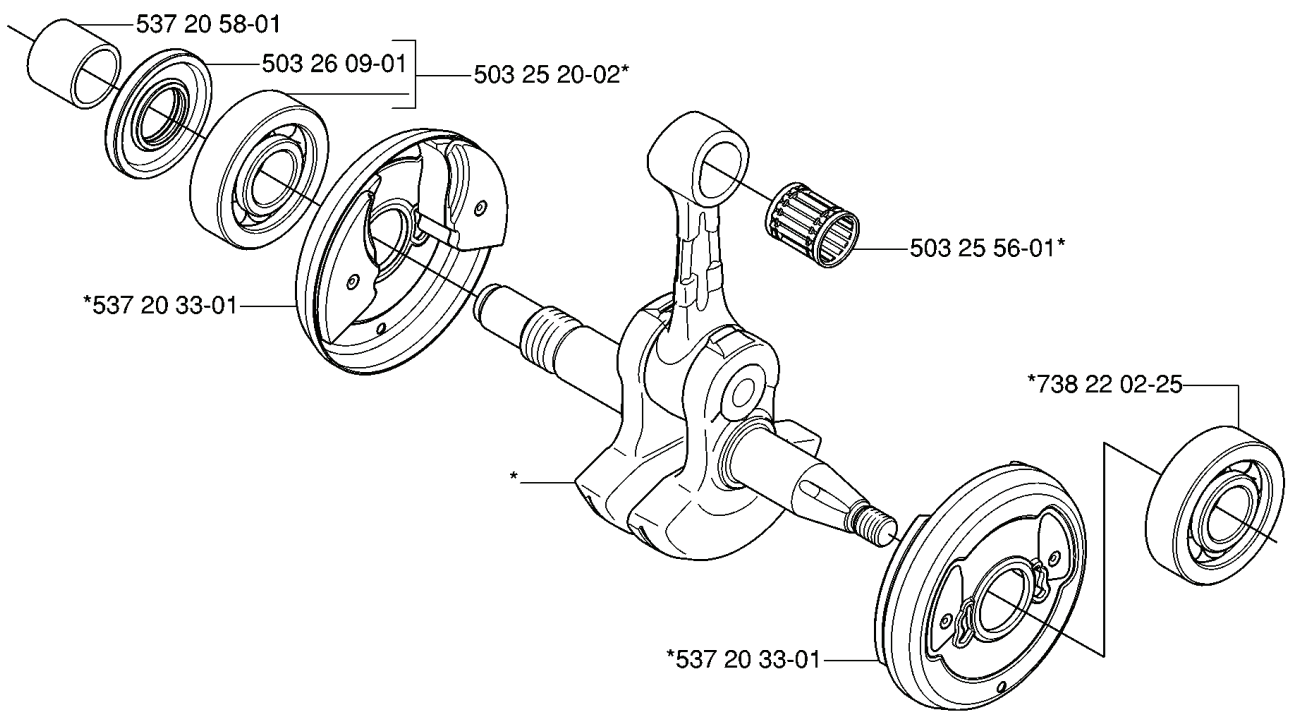
REF.	PART NO.	DESCRIPTION	REMARK	QTY.	KIT
537 20 67-01	537206701	MUFFLER ASSY		1	
724 12 87-59	724128759	SCREW CRPANM		1	
503 76 64-02	503766402	SPARK ARRESTER SCREEN		1	
725 53 70-55	725537055	SCREW IHSCM		2	
503 20 73-20	503207320	SCREW IHSCM		2	
537 20 82-01	537208201	GASKET		1	
537 21 06-01	537210601	HEAT DEFLECTOR		1	

F

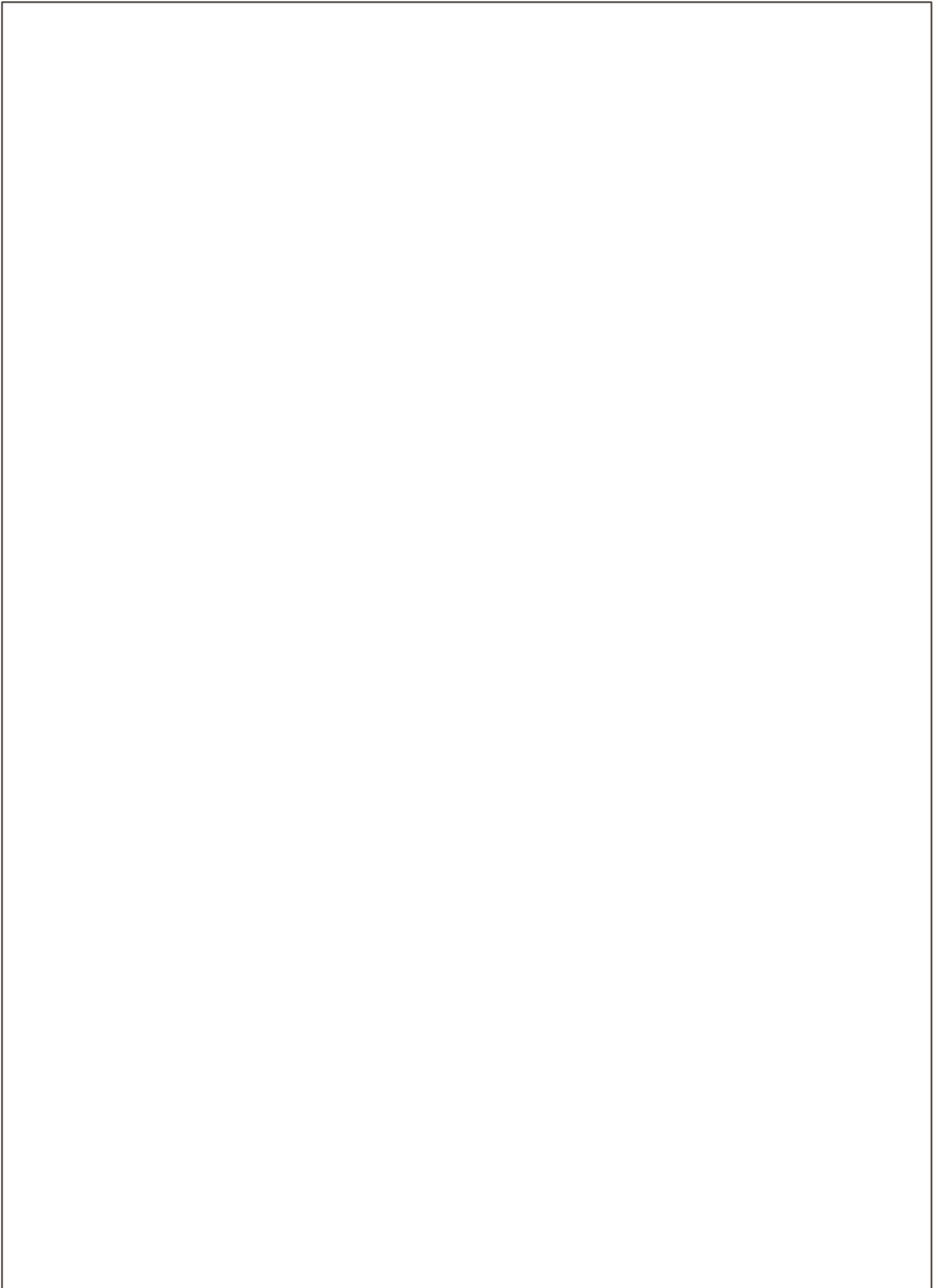


REF.	PART NO.	DESCRIPTION	REMARK	QTY.	KIT
537 21 04-01	537210401	ADAPTER		1	
731 23 14-01	731231401	HEXAGON NUT		1	
503 22 65-03	503226503	SQUARE NUT		2	
537 20 47-01	537204701	INSULATION WALL		1	
537 20 43-01	537204301	INLET PIPE		1	
503 20 02-16	503200216	SCREW IHSCFM		3	
537 20 37-01	537203701	IMPULSE HOSE		1	
537 20 49-01	537204901	FLANGE		1	
537 20 45-01	537204501	FLANGE		1	
537 20 46-01	537204601	SUPPORT SLEEVE		1	
544 19 98-01	544199801	CARBURETTOR		1	
537 21 37-01	537213701	LEVER		1	
503 21 26-16	503212616	SCREW IH PANM		1	
503 20 39-01	503203901	SCREW IHSCM		2	
537 20 50-01	537205001	FILTER HOLDER		1	
537 20 75-03	537207503	AIR FILTER		1	
537 20 75-02	537207502	AIR FILTER		1	
537 20 75-01	537207501	AIR FILTER		1	
537 20 66-03	537206603	AIR FILTER ASSY		1	
537 20 66-02	537206602	AIR FILTER ASSY		1	
537 20 66-01	537206601	AIR FILTER ASSY		1	
502 20 83-02	502208302	KNOB		1	
502 20 65-01	502206501	SCREW EHHM		1	
503 20 25-20	503202520	SCREW IHSCM		2	

N *compl 537 30 61-02

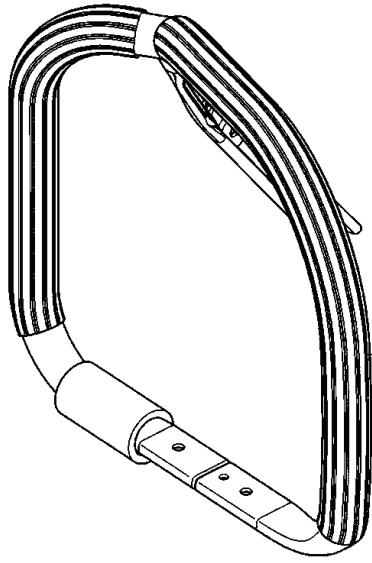


REF.	PART NO.	DESCRIPTION	REMARK	QTY.	KIT
537 30 61-02	537306102	CRANKSHAFT ASSY		1	
537 20 58-01	537205801	SLEEVE		1	
503 26 09-01	503260901	SEALING		1	
537 20 33-01	537203301	CUP		1	
738 22 02-25	738220225	BALL BEARING		1	
503 25 56-01	503255601	NEEDLE BEARING		1	
503 25 20-02	503252002	BALL BEARING		1	

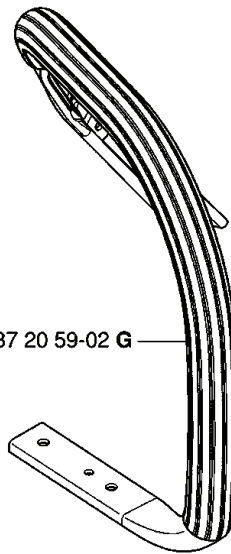


REF.	PART NO.	DESCRIPTION	REMARK	QTY.	KIT
537 20 59-01	537205901	FRONT HANDLE ASSY		1	
537 20 89-01	537208901	HANDLE		1	
537 03 73-01	537037301	REINFORCING PLATE		1	
503 21 88-74	503218874	SCREW IHSCT		2	
503 63 75-02	503637502	ANTIVIBRATION ELEMENT		1	
503 20 47-01	503204701	SCREW IHPANM		1	
503 22 66-01	503226601	SQUARE NUT		1	
503 63 75-03	503637503	ANTIVIBRATION ELEMENT		1	

Q

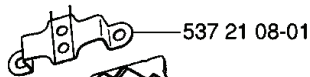
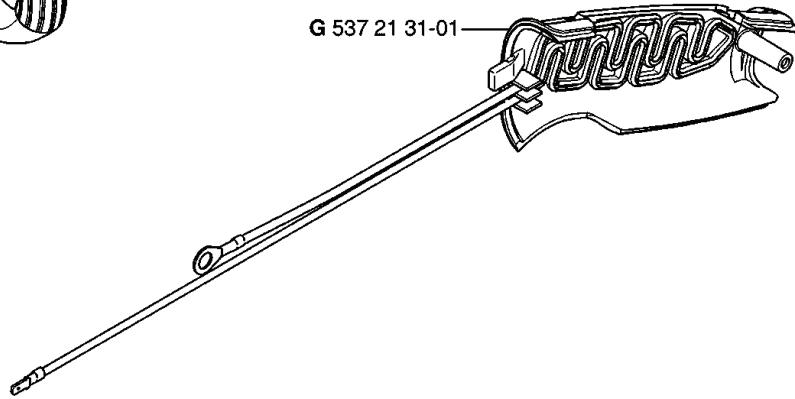


compl 537 20 89-02 WA G



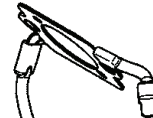
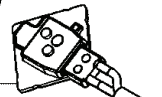
compl 537 20 59-02 G

G 537 21 31-01



537 21 08-01

537 21 29-01

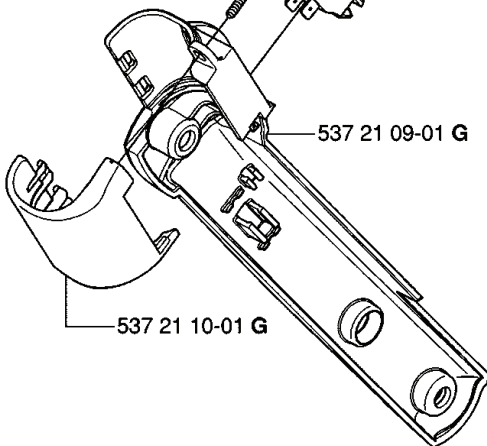


537 21 28-01

G 503 21 28-10

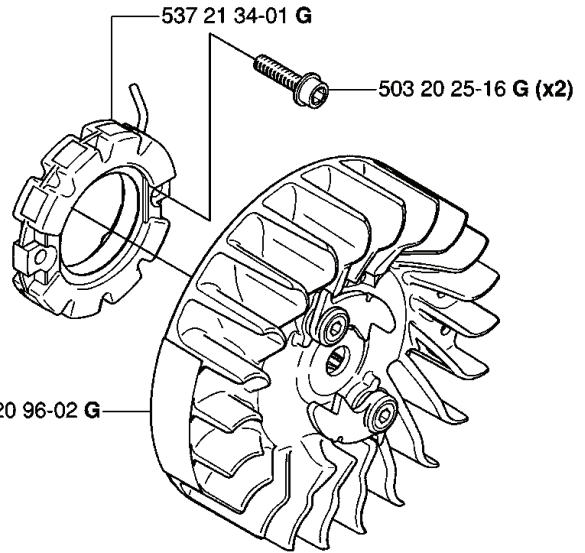


537 13 14-02 G



537 21 09-01 G

537 21 10-01 G



537 21 34-01 G

503 20 25-16 G (x2)

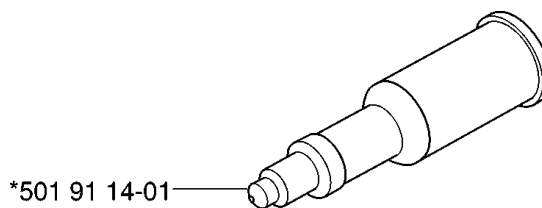
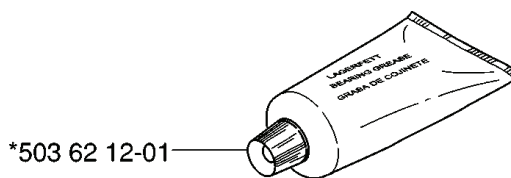
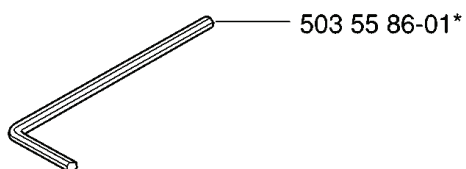
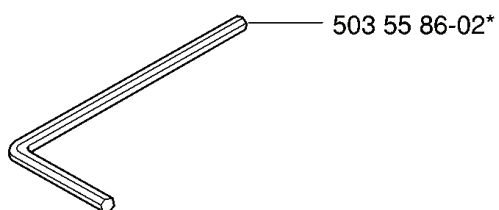
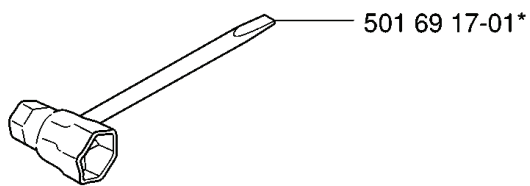
*compl 537 20 96-02 G

REF.	PART NO.	DESCRIPTION	REMARK	QTY.	KIT
537 20 59-02	537205902	FRONT HANDLE ASSY		1	
537 20 89-02	537208902	HANDLE		1	
537 21 31-01	537213101	COVER		1	
537 21 08-01	537210801	RETAINER		1	
537 21 29-01	537212901	THERMOSTAT ASSY		1	
503 21 28-10	503212810	SCREW CCRPANT		1	
537 21 10-01	537211001	HUB CAP		1	
537 21 09-01	537210901	COVER		1	
537 13 14-02	537131402	SWITCH		1	
537 20 96-02	537209602	FLYWHEEL ASSY		1	
503 20 25-16	503202516	SCREW IHSCM		2	
537 21 34-01	537213401	GENERATOR STATOR		1	
537 21 28-01	537212801	FOIL ELEMENT		1	

S

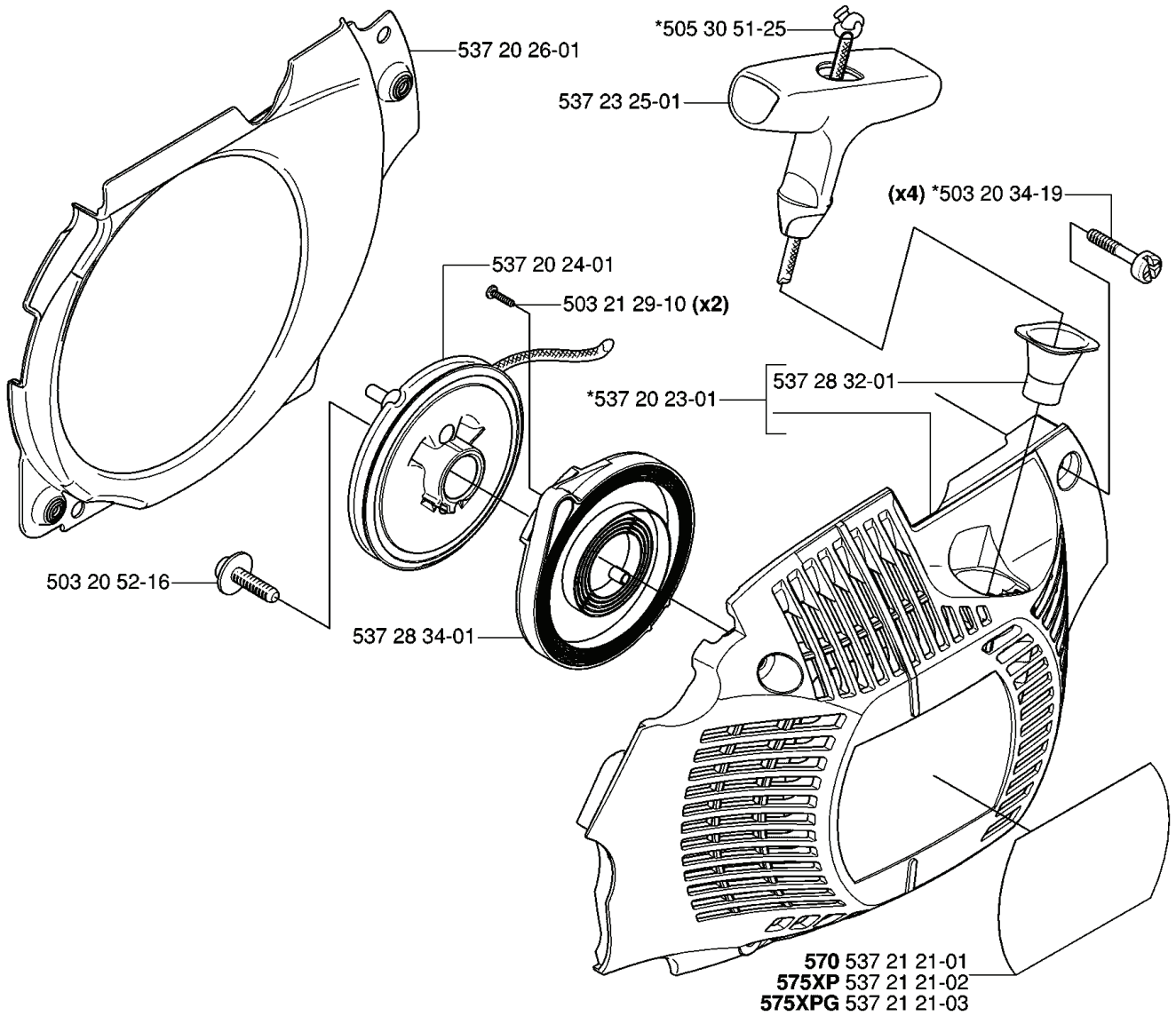
Tillbehör
Accessories
Zubehöre
Accessoires
Accesorios

*compl 503 55 85-01

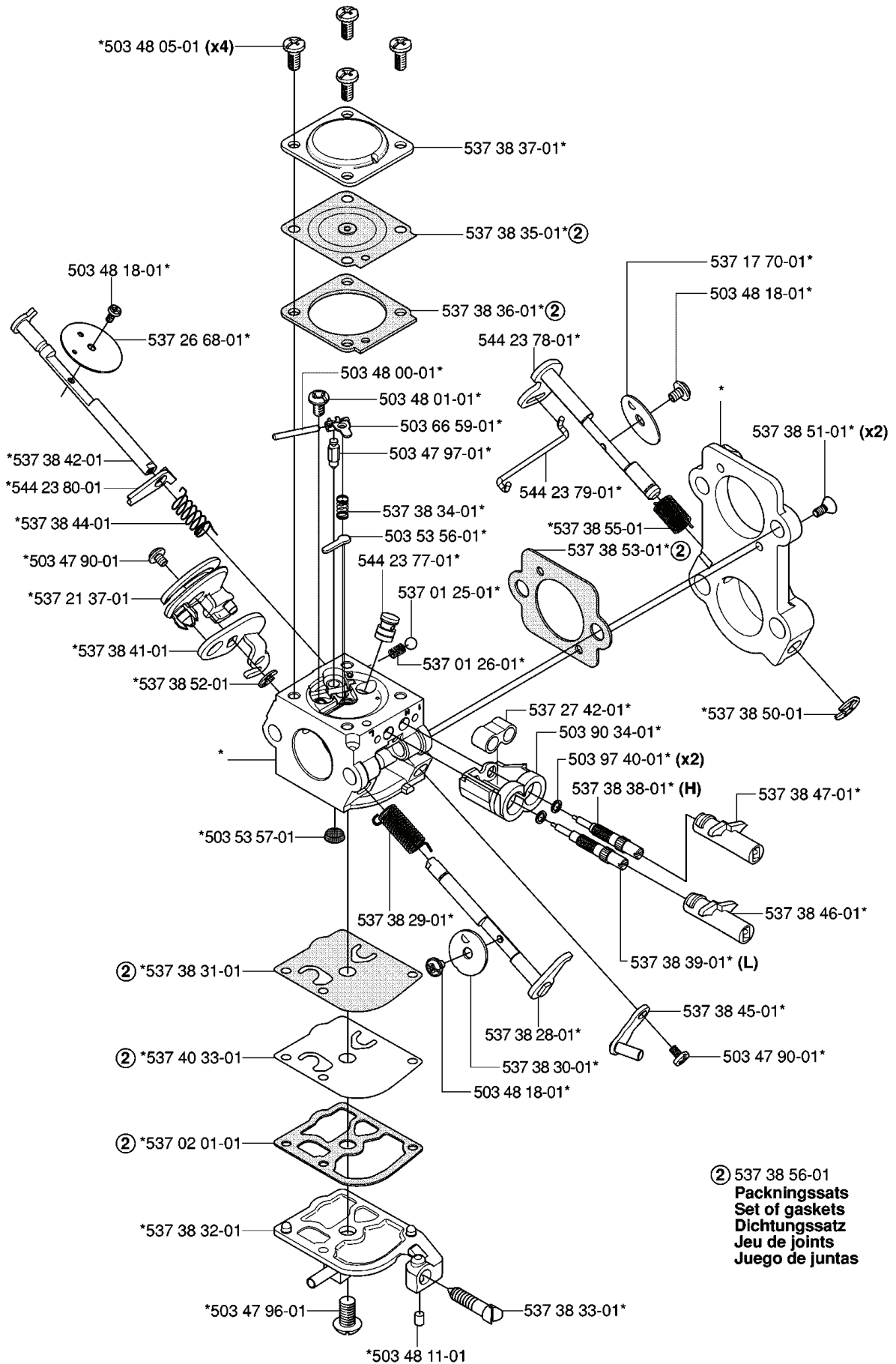


REF.	PART NO.	DESCRIPTION	REMARK	QTY.	KIT
5035585-01	503558501	TOOL		1	
5016917-01	501691701	COMBINATION WRENCH		1	
5035586-02	503558602	SPANNER		1	
5035586-01	503558601	SPANNER		1	
5019114-01	501911401	GREASE GUN		1	
5036212-01	503621201	GREASE		1	

C *compl 537 20 29-02



REF.	PART NO.	DESCRIPTION	REMARK	QTY.	KIT
537 20 29-02	537202902	STARTER		1	
537 20 26-01	537202601	AIR CONDUCTOR		1	
503 20 52-16	503205216	SCREW IHSCT		1	
537 28 34-01	537283401	SPRING CASSETTE ASSY		1	
537 21 21-03	537212103	LABEL		1	
537 21 21-02	537212102	LABEL		1	
537 21 21-01	537212101	LABEL		1	
537 20 23-01	537202301	STARTER HOUSING		1	
537 28 32-01	537283201	SLEEVE		1	
503 21 29-10	503212910	SCREW CCRPANT		2	
537 20 24-01	537202401	STARTER PULLEY ASSY		1	
537 23 25-01	537232501	STARTER HANDLE		1	
505 30 51-25	505305125	STARTER ROPE		1	
503 20 34-19	503203419	SCREW CCRPANMO		4	

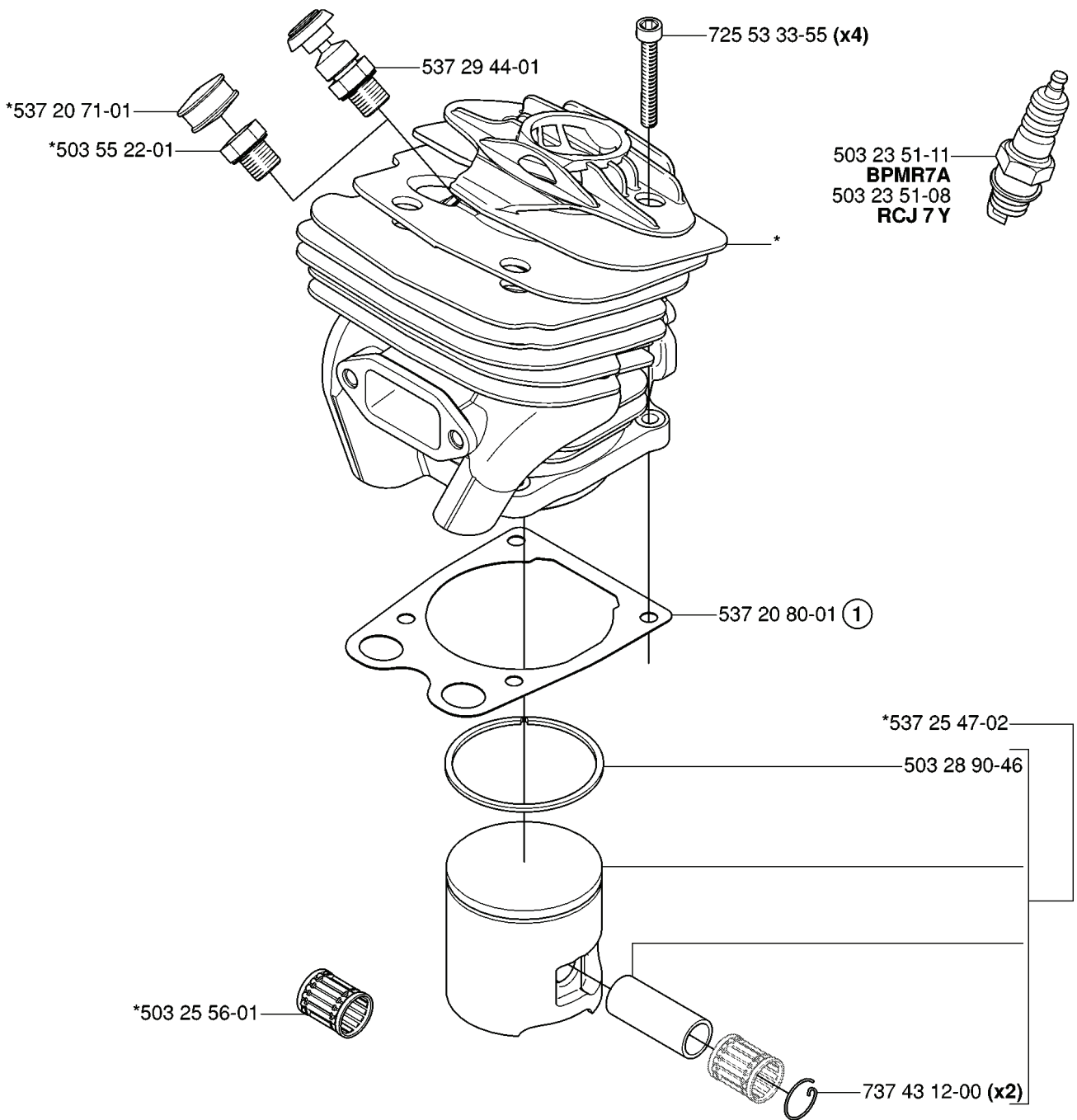


(2) 537 38 56-01
Packingsatz
Set of gaskets
Dichtungssatz
Jeu de joints
Juego de juntas

REF.	PART NO.	DESCRIPTION	REMARK	QTY.	KIT
544 19 98-01	544199801	CARBURETTOR		1	
503 48 05-01	503480501	SCREW		4	
537 26 68-01	537266801	VALVE		1	
537 38 42-01	537384201	SHAFT ASSY		1	
544 23 80-01	544238001	LEVER		1	
537 38 44-01	537384401	SPRING		1	
503 47 90-01	503479001	SCREW		1	
537 21 37-01	537213701	LEVER		1	
537 38 41-01	537384101	LEVER		1	
537 38 52-01	537385201	CLIP		1	
503 53 57-01	503535701	STRAINER		1	
537 38 31-01	537383101	DIAPHRAGM PUMP		1	
537 40 33-01	537403301	DIAPHRAGM		1	
537 02 01-01	537020101	GASKET		1	
537 38 32-01	537383201	COVER		1	
503 47 96-01	503479601	SCREW		1	
503 48 11-01	503481101	PIECE		1	
537 38 33-01	537383301	SCREW		1	
503 48 18-01	503481801	SCREW		1	
537 38 30-01	537383001	VALVE		1	
537 38 28-01	537382801	SHAFT ASSY		1	
537 38 29-01	537382901	SPRING		1	
537 38 37-01	537383701	COVER		1	
537 38 35-01	537383501	DIAPHRAGM		1	
537 38 36-01	537383601	GASKET		1	
544 23 78-01	544237801	SHAFT		1	
503 48 00-01	503480001	PIN RETAINING SCREW		1	
503 48 01-01	503480101	SCREW		1	
503 66 59-01	503665901	LEVER		1	
503 47 97-01	503479701	VALVE		1	
537 38 34-01	537383401	SPRING		1	
503 53 56-01	503535601	PLUG WELCH		1	
544 23 77-01	544237701	NOZZLE ASSY		1	
537 01 25-01	537012501	BALL		1	
537 01 26-01	537012601	SPRING		1	
537 27 42-01	537274201	BOOT		1	
503 90 34-01	503903401	RETAINER		1	
503 97 40-01	503974001	WASHER		2	
537 38 38-01	537383801	SCREW		1	
537 38 39-01	537383901	SCREW		1	
537 38 45-01	537384501	LEVER		1	

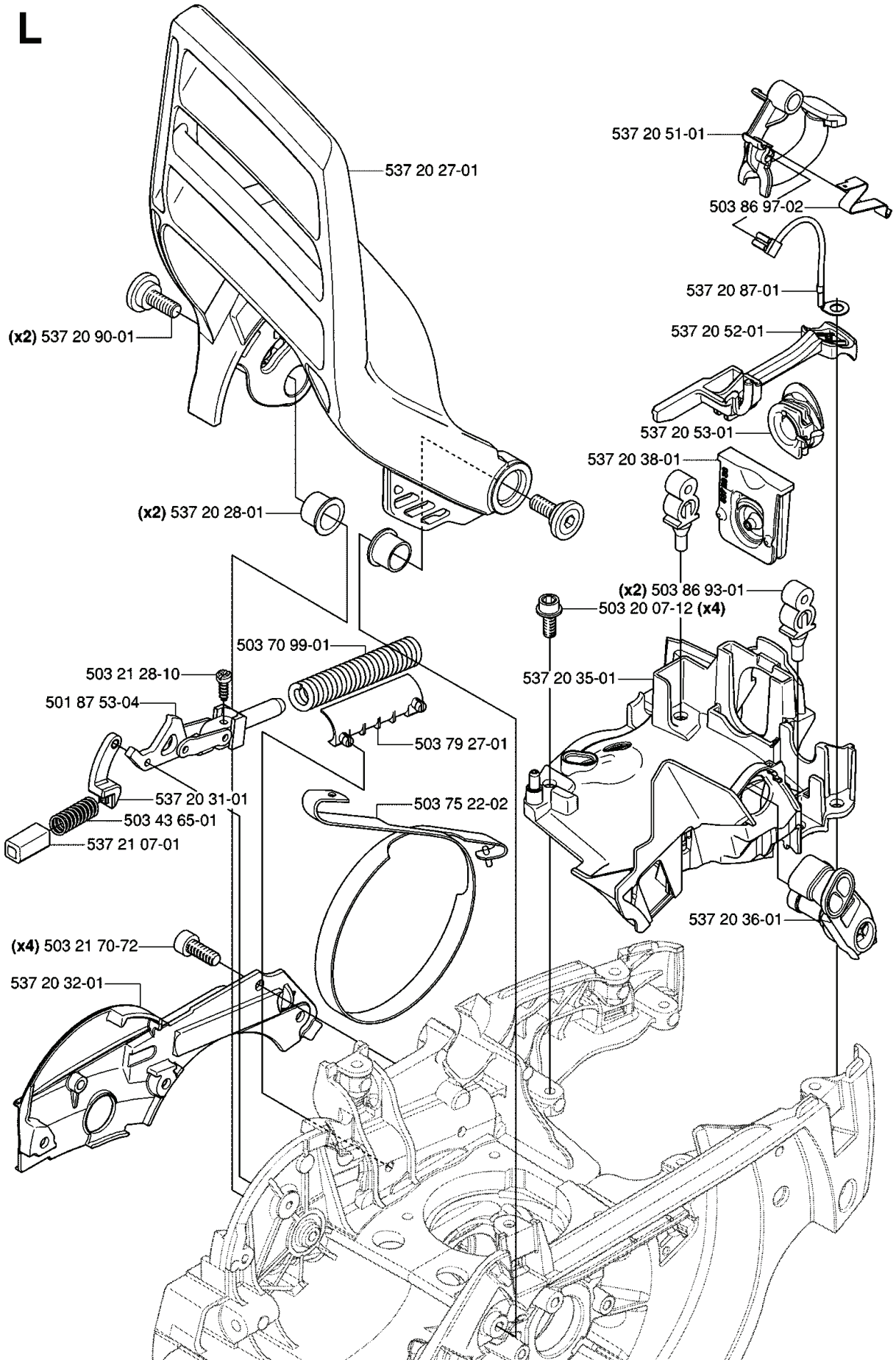
REF.	PART NO.	DESCRIPTION	REMARK	QTY.	KIT
537 38 46-01	537384601	LIMITER CAP		1	
537 38 47-01	537384701	LIMITER CAP		1	
537 38 50-01	537385001	CLIP		1	
537 38 53-01	537385301	GASKET		1	
537 38 55-01	537385501	SPRING		1	
544 23 79-01	544237901	ROD		1	
537 38 51-01	537385101	SCREW		2	
537 17 70-01	537177001	VALVE		1	

H *compl 537 25 45-02 570

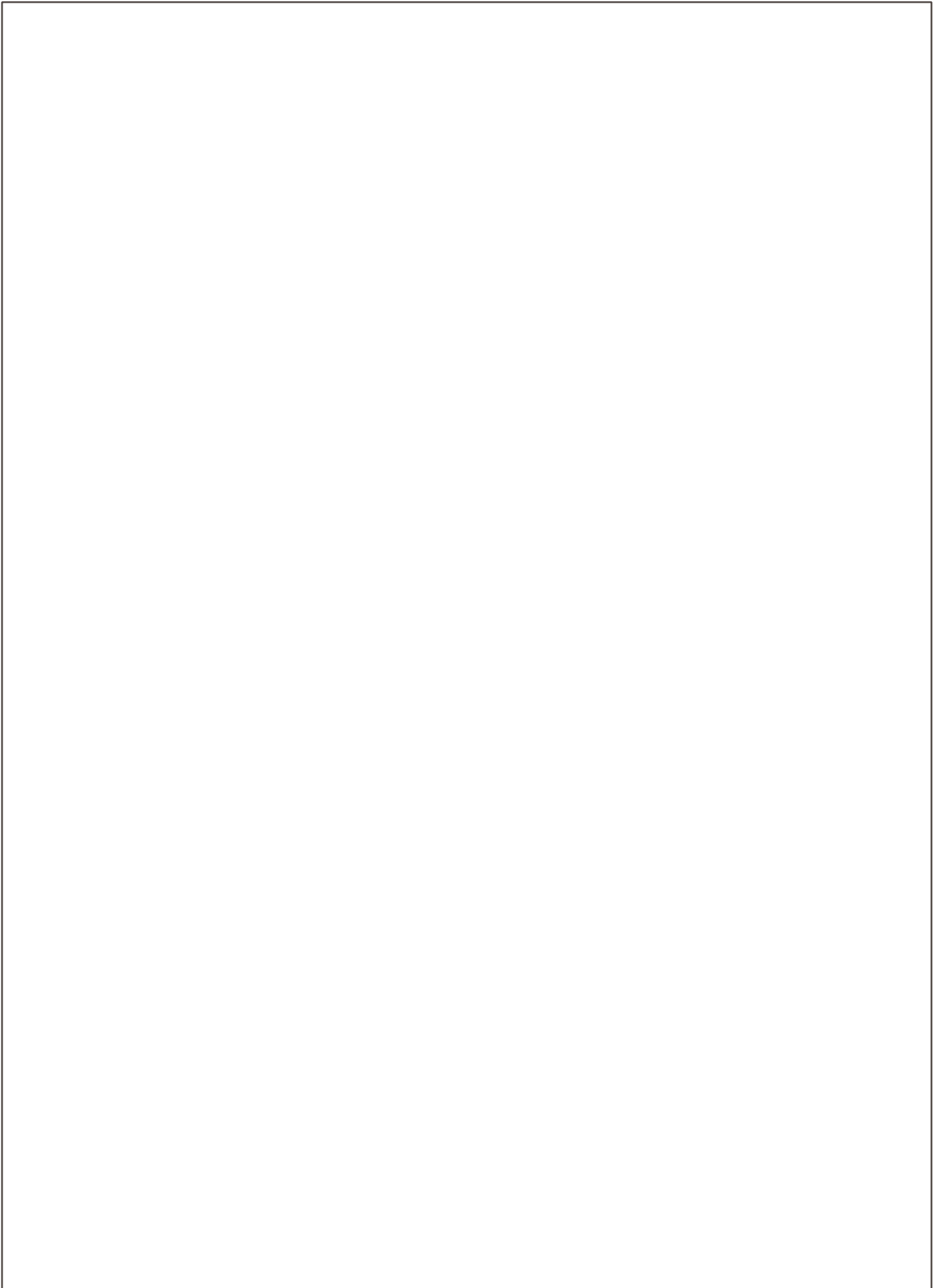


REF.	PART NO.	DESCRIPTION	REMARK	QTY.	KIT
537 25 45-02	537254502	CYLINDER		1	
537 20 71-01	537207101	PLUG		1	
503 55 22-01	503552201	PLUG		1	
503 25 56-01	503255601	NEEDLE BEARING		1	
737 43 12-00	737431200	SNAP RING		2	
503 28 90-46	503289046	PISTON RING		1	
537 25 47-02	537254702	PISTON		1	
537 20 80-01	537208001	GASKET		1	
503 23 51-08	503235108	SPARK PLUG		1	
503 23 51-11	503235111	SPARK PLUG		1	
725 53 33-55	725533355	SCREW IHSCM		4	
537 29 44-01	537294401	DECOMPRESSION VALVE		1	

L

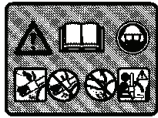


REF.	PART NO.	DESCRIPTION	REMARK	QTY.	KIT
537 20 27-01	537202701	HAND GUARD ASSY		1	
537 20 90-01	537209001	SCREW		2	
537 20 28-01	537202801	BUSHING		2	
503 70 99-01	503709901	BRAKE SPRING		1	
503 21 28-10	503212810	SCREW CCRPANT		1	
501 87 53-04	501875304	KNEE JOINT		1	
537 20 31-01	537203101	LOCK		1	
503 43 65-01	503436501	POSITION SPRING		1	
537 21 07-01	537210701	SPRING GUIDE		1	
503 21 70-72	503217072	SCREW CCRPANT		4	
537 20 32-01	537203201	HUB CAP		1	
503 75 22-02	503752202	BRAKE BAND ASSY		1	
503 79 27-01	503792701	SUPPORT		1	
537 20 35-01	537203501	CARBURETTOR		1	
537 20 36-01	537203601	GUIDE BUSHING		1	
503 20 07-12	503200712	SCREW IHSCFM		4	
503 86 93-01	503869301	SUPPORT		2	
537 20 38-01	537203801	GROMMET		1	
537 20 53-01	537205301	SEALING		1	
537 20 52-01	537205201	CHOKE CONTROL		1	
537 20 87-01	537208701	GROUND CABLE		1	
503 86 97-02	503869702	SPRING		1	
537 20 51-01	537205101	STOP SWITCH		1	



REF.	PART NO.	DESCRIPTION	REMARK	QTY.	KIT
503 27 21-01	503272101	E-CLIP		1	
503 75 24-01	503752401	WASHER		1	
501 59 80-02	501598002	RIM		1	
505 30 36-61	505303661	RIM		1	
503 43 20-01	503432001	NEEDLE HOLDER		1	
503 86 17-03	503861703	CLUTCH DRUM ASSY		1	
537 20 78-04	537207804	PUMP PINION		1	
537 20 91-01	537209101	OIL PRESSURE HOSE		1	
503 52 13-03	503521303	OIL PUMP ASSY		1	
503 81 13-01	503811301	SCREW		1	
501 54 41-02	501544102	OIL SCREEN		1	
503 81 30-01	503813001	SPRING		1	
501 61 58-01	501615801	SPRING		1	
503 23 00-04	503230004	WASHER		2	
503 52 15-01	503521501	PUMP PISTON		1	
503 62 49-01	503624901	SEALING PLUG		1	
503 20 53-01	503205301	SCREW IHSCM		2	
501 89 53-01	501895301	OIL HOSE		1	
503 74 44-05	503744405	CLUTCH ASSY		1	
537 36 06-01	537360601	CLUTCH SPRING		3	
537 03 62-06	537036206	CLUTCH DRUM		1	
537 03 62-05	537036205	CLUTCH DRUM		1	

E *compl 537 21 25-01

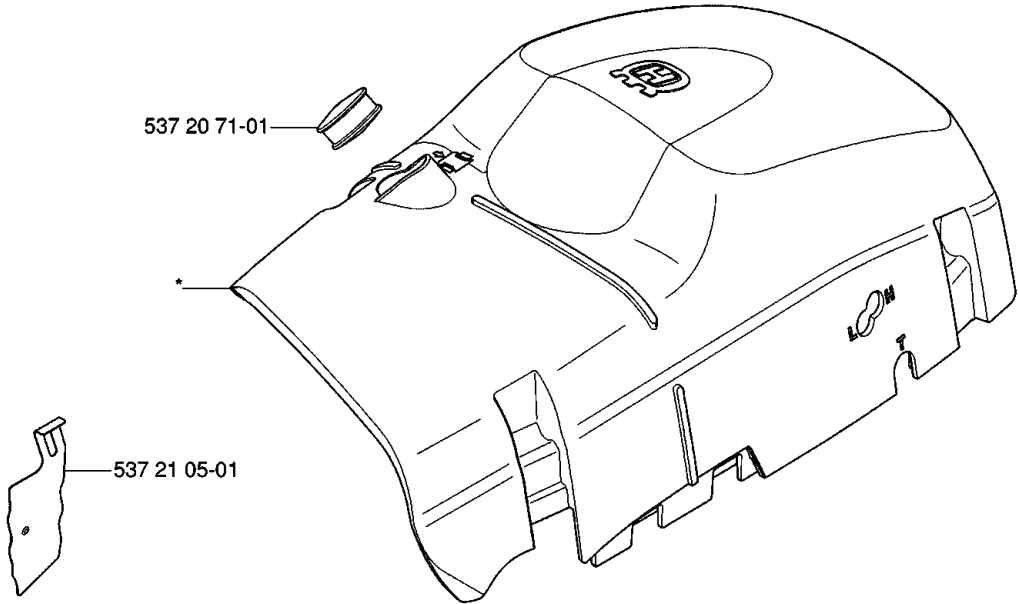


503 98 74-01*

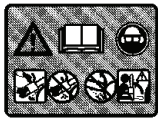
537 20 71-01

*

537 21 05-01



E *compl 537 21 25-02

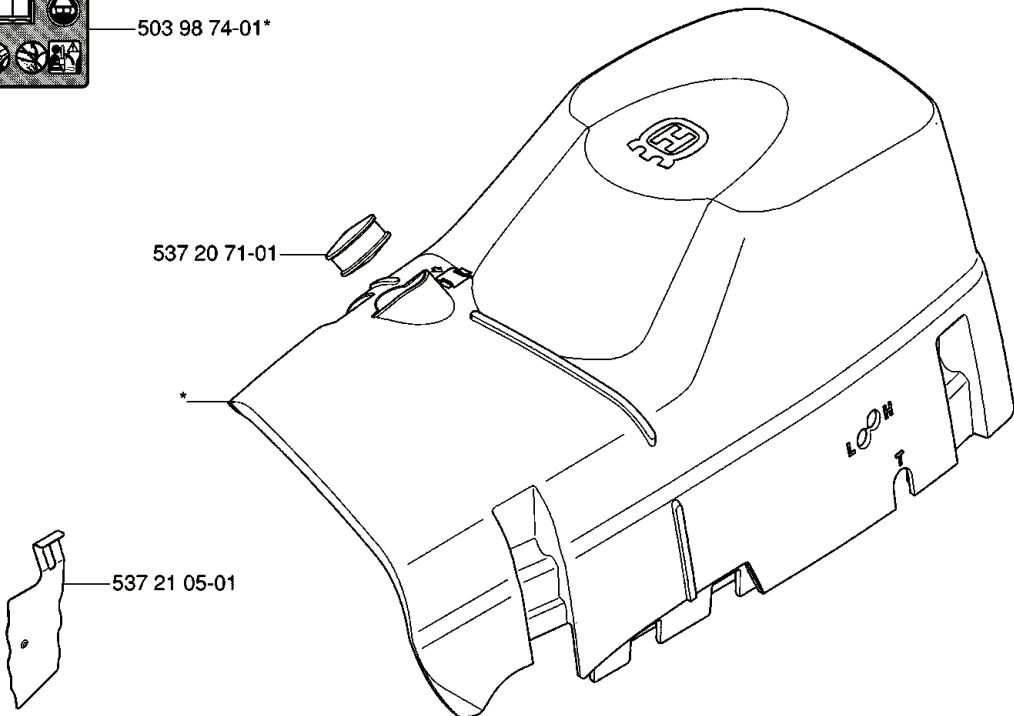


503 98 74-01*

537 20 71-01

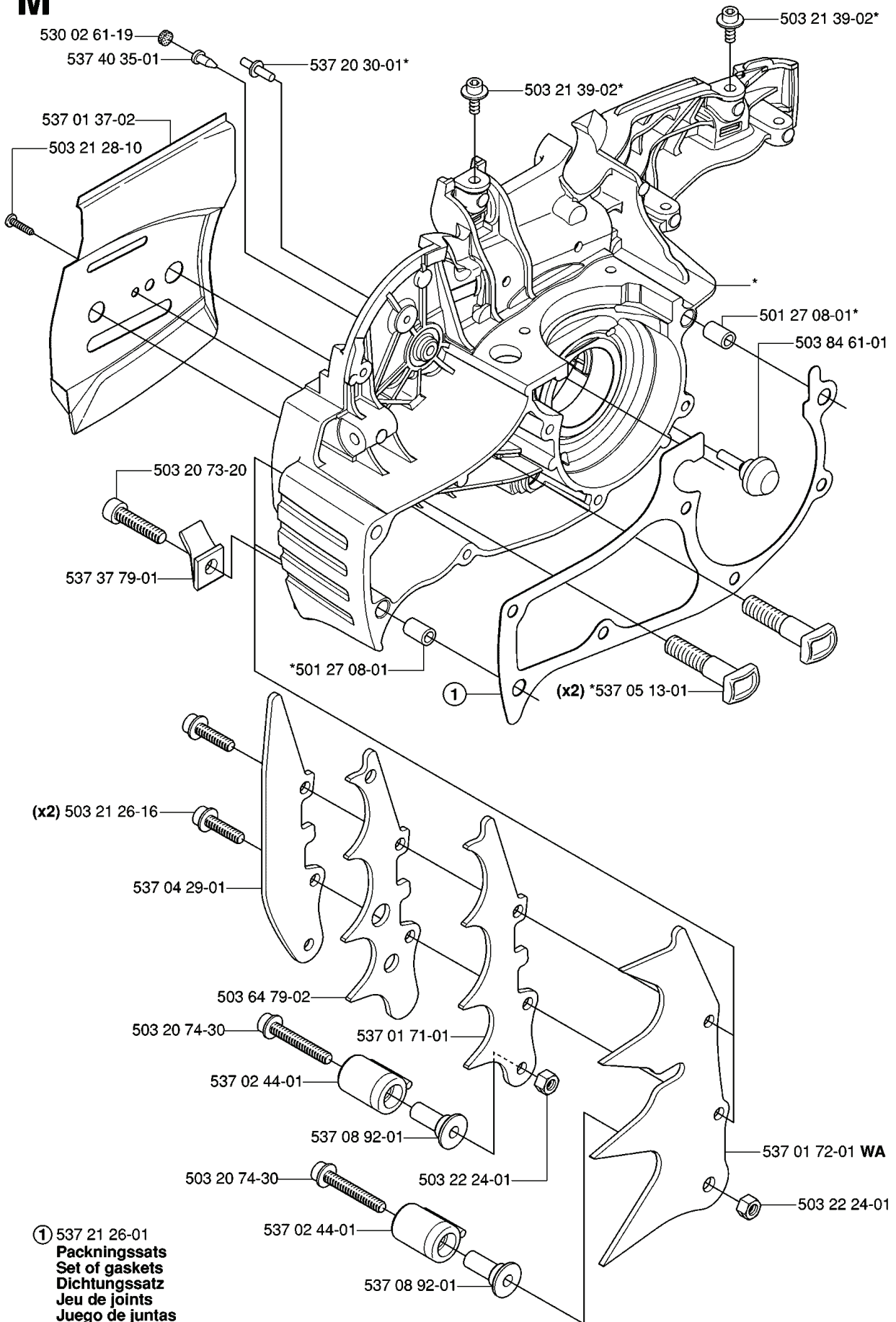
*

537 21 05-01



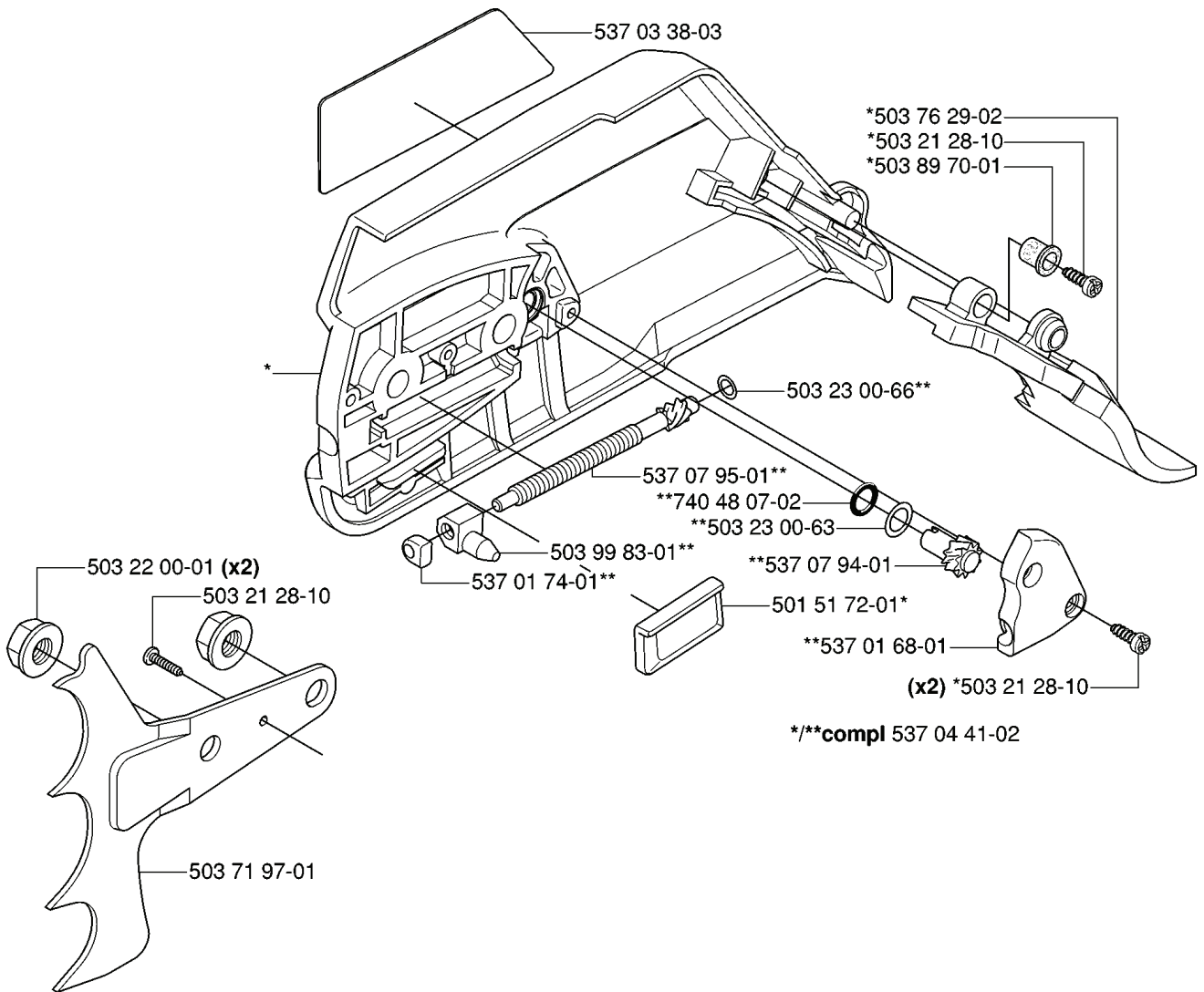
REF.	PART NO.	DESCRIPTION	REMARK	QTY.	KIT
537 21 25-01	537212501	CYLINDER COVER		1	
537 20 71-01	537207101	PLUG		1	
537 21 25-02	537212502	CYLINDER COVER		1	
503 98 74-01	503987401	LABEL		1	
537 21 05-01	537210501	WINTER COVER		1	

M *compl 537 20 93-04



REF.	PART NO.	DESCRIPTION	REMARK	QTY.	KIT
537 20 93-04	537209304	CRANKCASE ASSY		1	
530 02 61-19	530026119	CHECK VALVE		1	
537 40 35-01	537403501	FILTER		1	
537 01 37-02	537013702	CHAIN GUIDE PLATE		1	
503 21 28-10	503212810	SCREW CCRPANT		1	
503 20 73-20	503207320	SCREW IHSCM		1	
537 37 79-01	537377901	CHAIN CATCHER		1	
503 21 26-16	503212616	SCREW IH PANM		2	
537 04 29-01	537042901	BUMPER		1	
503 64 79-02	503647902	SPIKE		1	
537 02 44-01	537024401	WEAR PROTECTION		1	
503 20 74-30	503207430	SCREW IHSCFM		1	
503 22 24-01	503222401	LOCK NUT		1	
537 08 92-01	537089201	CHAIN CATCHER		1	
537 01 71-01	537017101	SPIKE		1	
537 20 30-01	537203001	PIN KNEE-JOINT		1	
537 05 13-01	537051301	BAR BOLT		2	
537 01 72-01	537017201	SPIKE		1	
503 84 61-01	503846101	BUFFER		1	
501 27 08-01	501270801	GUIDE BUSHING		1	
503 21 39-02	503213902	SCREW IH SCT		1	

A *compl 537 03 35-01 Std

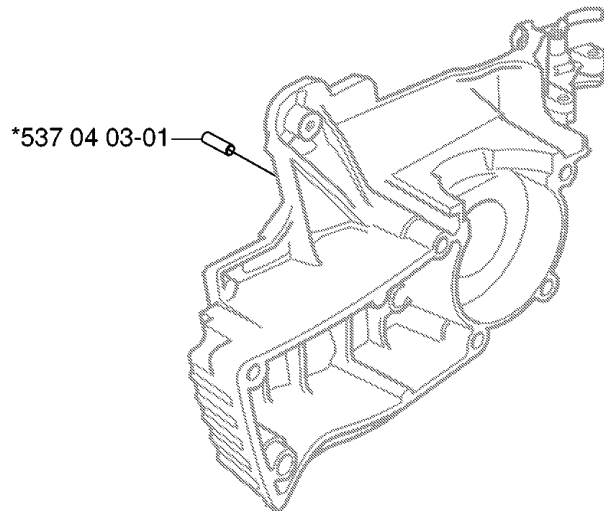


REF.	PART NO.	DESCRIPTION	REMARK	QTY.	KIT
537 03 35-01	537033501	CLUTCH COVER ASSY		1	
503 22 00-01	503220001	HEXAGON NUT		2	
503 71 97-01	503719701	SPIKE		1	
537 04 41-02	537044102	CHAIN TENSIONER		1	
503 21 28-10	503212810	SCREW CCRPANT		2	
537 01 68-01	537016801	COVER		1	
501 51 72-01	501517201	CHAIN GUIDE		1	
537 07 94-01	537079401	WORM WHEEL		1	
537 01 74-01	537017401	BEARING SLEEVE		1	
503 99 83-01	503998301	PAWL		1	
503 23 00-63	503230063	WASHER		1	
740 48 07-02	740480702	O-RING		1	
537 07 95-01	537079501	WORM SCREW		1	
503 23 00-66	503230066	WASHER		1	
503 89 70-01	503897001	SLEEVE		1	
503 76 29-02	503762902	CHIP GUARD		1	
537 03 38-03	537033803	LABEL		1	

T



Up to 052400001



REF.	PART NO.	DESCRIPTION	REMARK	QTY.	KIT
537 04 03- 01	537040301	VALVE		1	