

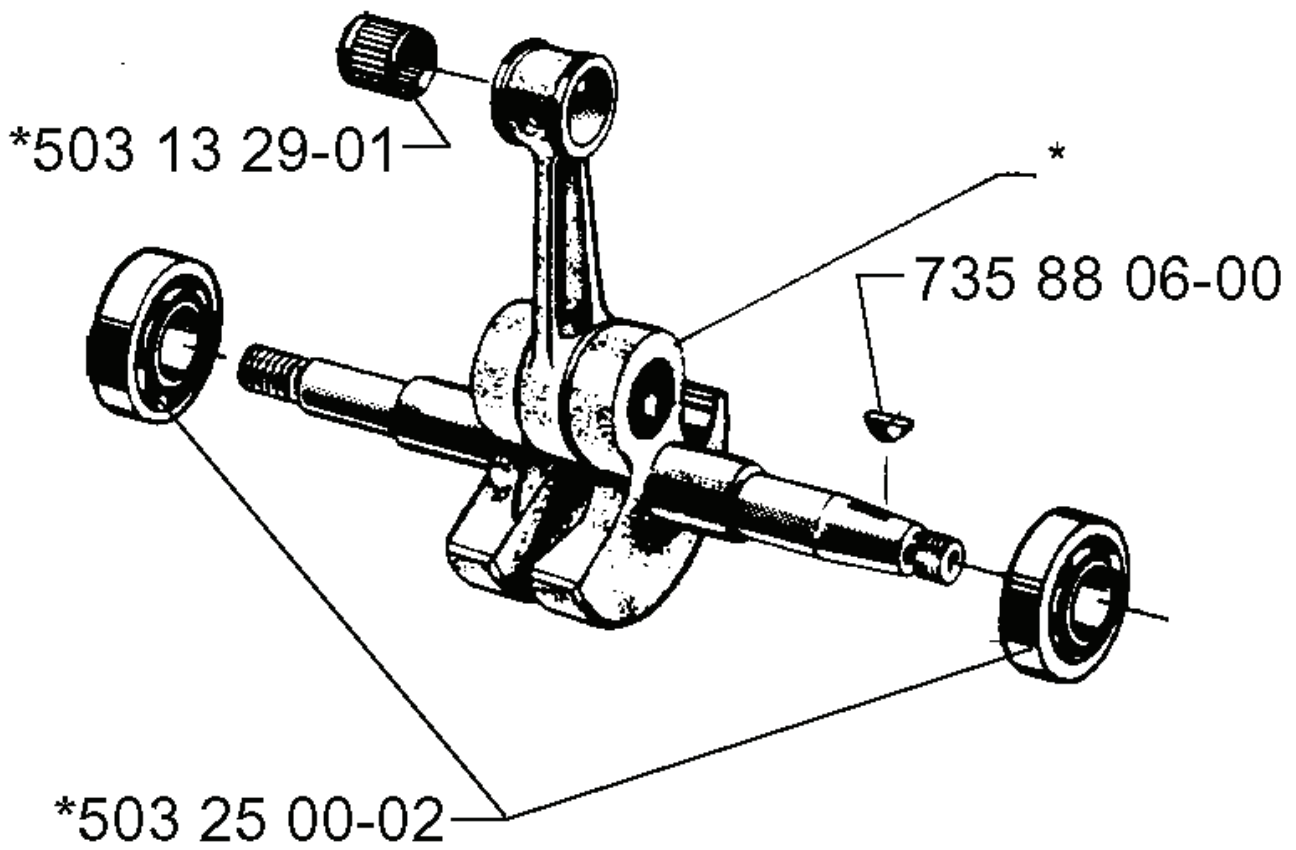
20 EPA, USA ONLY, 19981000001-2000079

---

# **SPARE PARTS LIST**

**H**

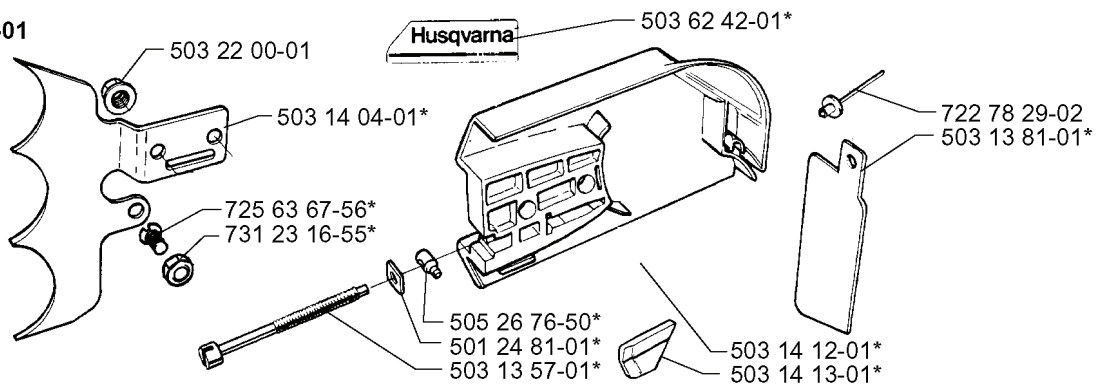
**\*compl 503 14 20-72**



---

REF.	PART NO.	DESCRIPTION	REMARK	QTY.	KIT
503 14 20-72	503142072	CRANKSHAFT ASSY		1	
503 13 29-01	503132901	NEEDLE HOLDER		1	
503 25 00-02	503250002	BALL BEARING		1	
735 88 06-00	735880600	WOODRUFF KEY		1	

**F** \*compl 501 89 63-01

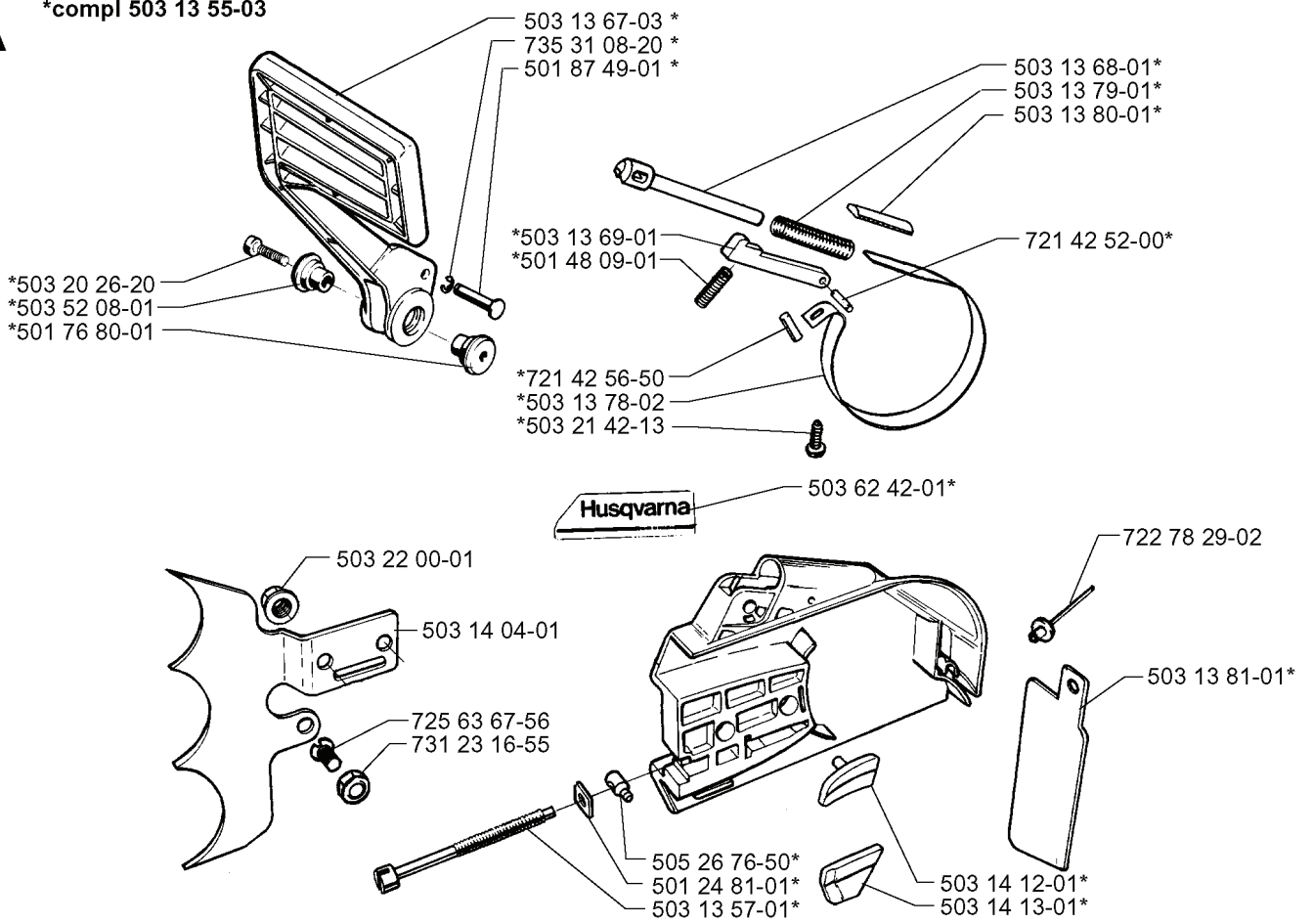


---

REF.	PART NO.	DESCRIPTION	REMARK	QTY.	KIT
5018963-01	501896301	CLUTCH COVER ASSY		1	
5032200-01	503220001	HEXAGON NUT		1	
5031404-01	503140401	SPIKE		1	
7256367-56	725636756	SCREW IHCSFM		1	
7312316-55	731231655	HEXAGON NUT		1	
5052676-50	505267650	PAWL		1	
5012481-01	501248101	LOCK NUT		1	
5031357-01	503135701	SCREW		1	
5031413-01	503141301	CHAIN GUIDE		1	
5031412-01	503141201	CHAIN GUIDE		1	
5036242-01	503624201	DECAL		1	
5031381-01	503138101	CHIP GUARD		1	
7227829-02	722782902	BLIND RIVET		1	

**A**

\*compl 503 13 55-03



REF.	PART NO.	DESCRIPTION	REMARK	QTY.	KIT
503 1355-03	503135503	CLUTCH COVER ASSY		1	
503 2026-20	503202620	SCREW IHSCM		1	
503 5208-01	503520801	SHAFT		1	
501 7680-01	501768001	SHAFT		1	
503 1367-03	503136703	HAND GUARD		1	
735 3108-20	735310820	E-CLIP		1	
501 8749-01	501874901	PIVOT PIN		1	
503 1369-01	503136901	LATCH		1	
501 4809-01	501480901	LOCKING SPRING		1	
721 4256-50	721425650	SPRING PIN		1	
503 1378-02	503137802	BRAKE BAND		1	
503 2142-13	503214213	SCREW CCRPANT		1	
503 2200-01	503220001	HEXAGON NUT		1	
503 1404-01	503140401	SPIKE		1	
725 6367-56	725636756	SCREW IHCSFM		1	
731 2316-55	731231655	HEXAGON NUT		1	
503 1357-01	503135701	SCREW		1	
501 2481-01	501248101	LOCK NUT		1	
505 2676-50	505267650	PAWL		1	
503 1413-01	503141301	CHAIN GUIDE		1	
503 1412-01	503141201	CHAIN GUIDE		1	
503 1381-01	503138101	CHIP GUARD		1	
722 7829-02	722782902	BLIND RIVET		1	
503 6242-01	503624201	DECAL		1	
721 4252-00	721425200	SPRING PIN		1	
503 1380-01	503138001	GUIDE		1	
503 1379-01	503137901	BRAKE SPRING		1	
503 1368-01	503136801	PULL ROD		1	

**B**

\*compl 501 89 44-01

\*compl 501 89 44-02 USA

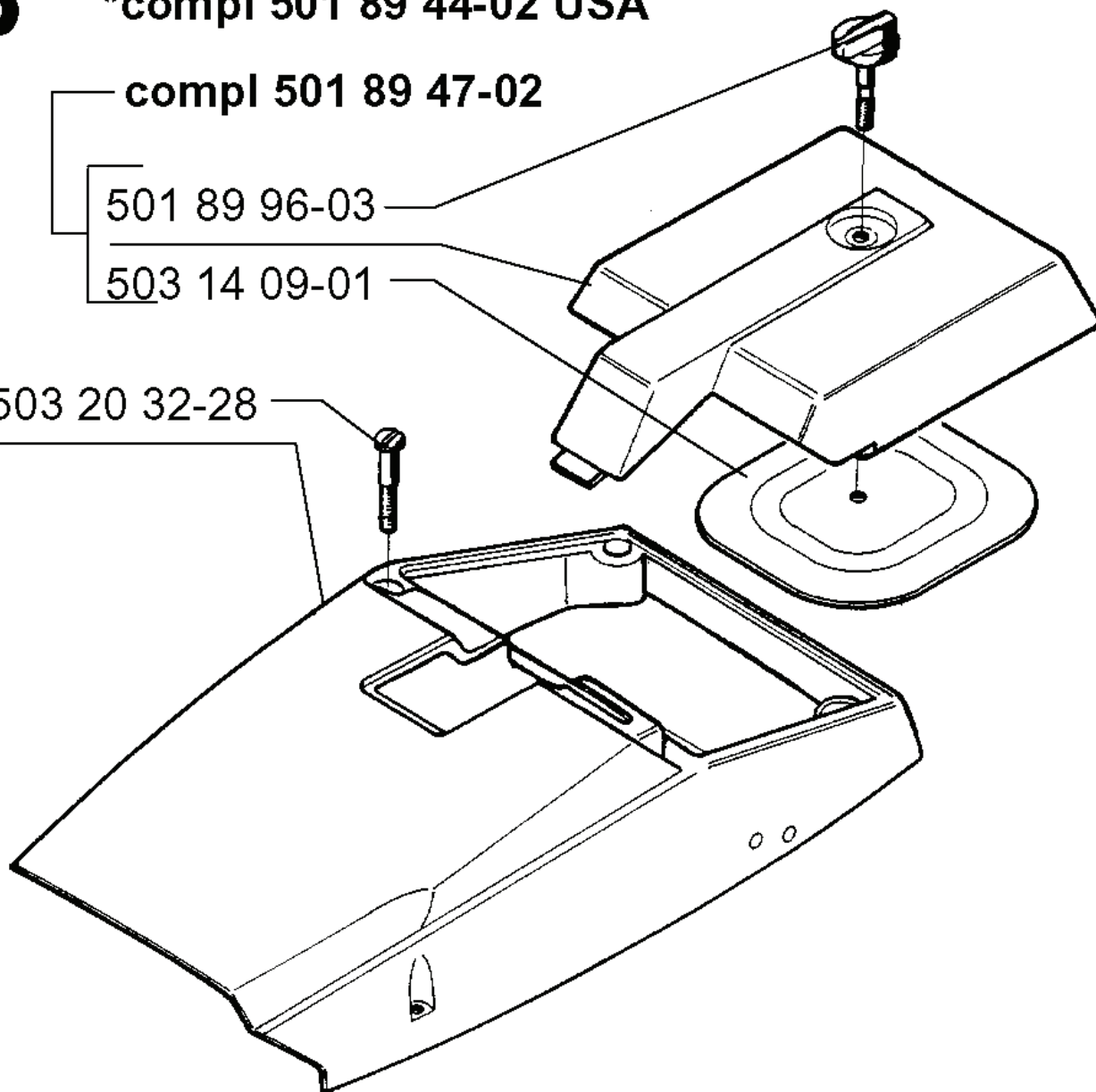
compl 501 89 47-02

501 89 96-03

503 14 09-01

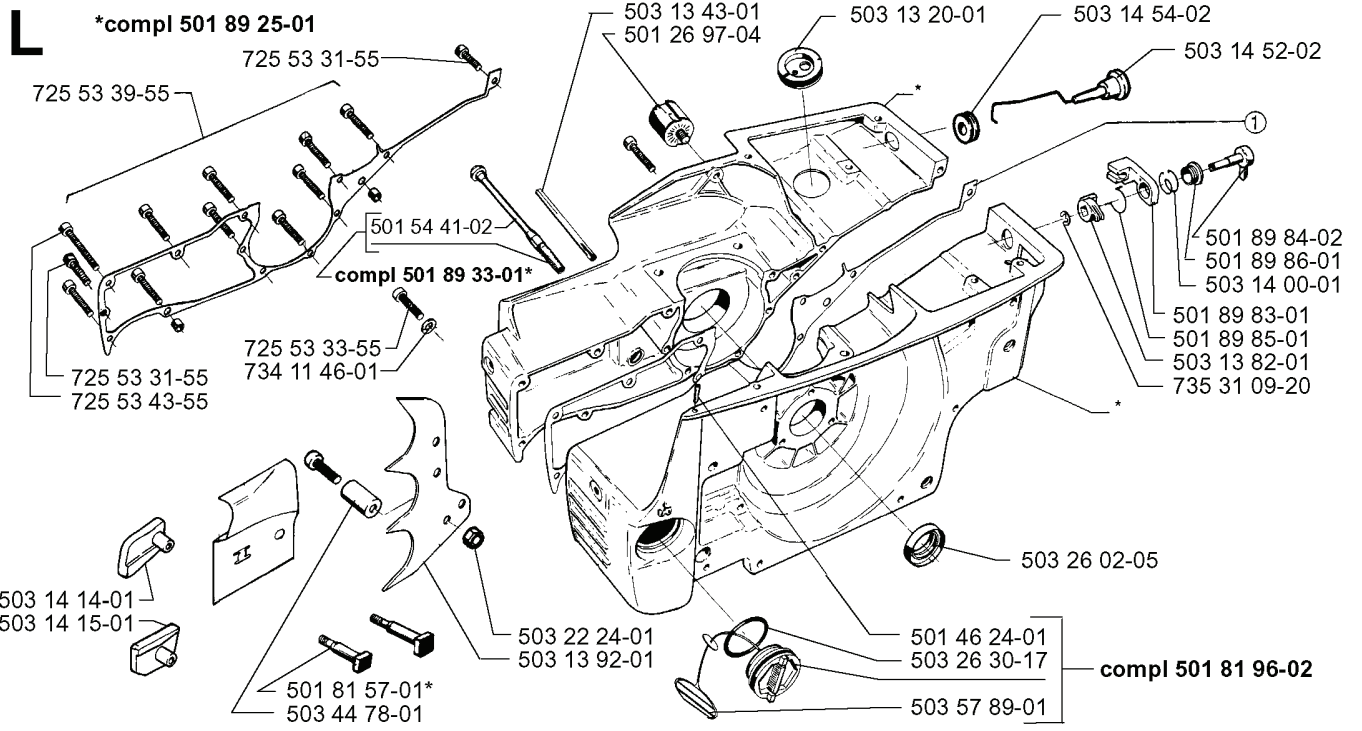
\*503 20 32-28

\*



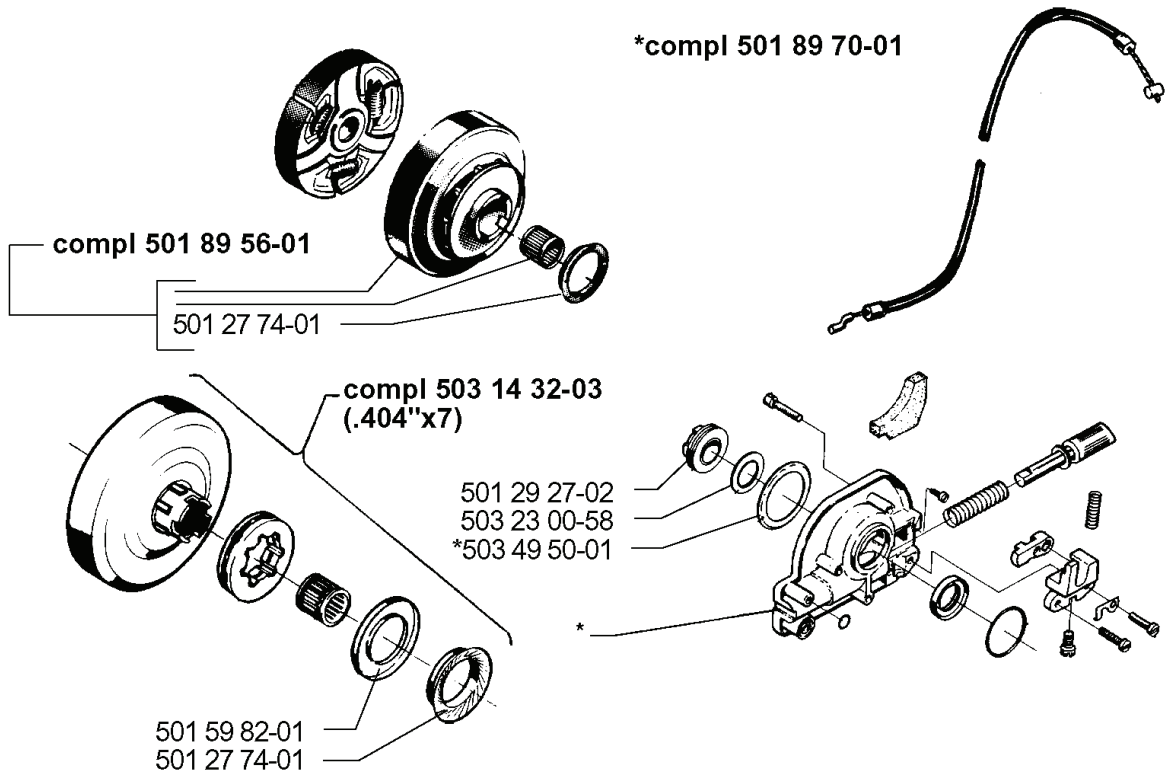
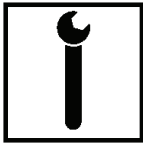
---

REF.	PART NO.	DESCRIPTION	REMARK	QTY.	KIT
501 89 44-01	501894401	CYLINDER COVER ASSY		1	
501 89 44-02	501894402	CYLINDER COVER ASSY	USA	1	
501 89 47-02	501894702	FILTER COVER ASSY		1	
501 89 96-03	501899603	KNOB		1	
503 14 09-01	503140901	FILTER COVER		1	
503 20 32-28	503203228	SCREW		1	



REF.	PART NO.	DESCRIPTION	REMARK	QTY.	KIT
5018925-01	501892501	CRANKCASE		1	
7255339-55	725533955	SCREW IHSCM		1	
7255331-55	725533155	SCREW IHSCM		1	
7255343-55	725534355	SCREW IHSCM		1	
5031414-01	503141401	CHAIN GUIDE		1	
5031415-01	503141501	CHAIN GUIDE		1	
5034478-01	503447801	SLEEVE		1	
5018157-01	501815701	BAR BOLT		1	
7341146-01	734114601	WASHER		1	
7255333-55	725533355	SCREW IHSCM		1	
5018933-01	501893301	OIL HOSE		1	
5015441-02	501544102	OIL SCREEN		1	
5031343-01	503134301	TANK VENT		1	
5012697-04	501269704	ANTIVIBRATION ELEMENT		1	
5032224-01	503222401	LOCK NUT		1	
5031392-01	503139201	SPIKE		1	
5035789-01	503578901	HOLDER		1	
5032630-17	503263017	O-RING		1	
5014624-01	501462401	GROOVED PIN		1	
5032602-05	503260205	SEALING RING		1	
5018196-02	501819602	TANK CAP ASSY		1	
7353109-20	735310920	E-CLIP		1	
5031382-01	503138201	DRAW LEVER		1	
5018985-01	501898501	SPRING		1	
5018983-01	501898301	BRACKET		1	
5031400-01	503140001	SPRING		1	
5018986-01	501898601	SCREW		1	
5018984-02	501898402	KNOB		1	
5031452-02	503145202	CHOKE CONTROL ASSY		1	
5031454-02	503145402	GROMMET		1	
5031320-01	503132001	GROMMET		1	

T



---

REF.	PART NO.	DESCRIPTION	REMARK	QTY.	KIT
501 89 70-01	501897001	OIL PUMP ASSY		1	
501 89 56-01	501895601	CLUTCH DRUM ASSY		1	
503 14 32-03	503143203	CLUTCH DRUM	.404X7	1	
501 29 27-02	501292702	GEAR WHEEL ASSY		1	
503 23 00-58	503230058	WASHER		1	
503 49 50-01	503495001	DUST COVER		1	
501 59 82-01	501598201	SEALING		1	
501 27 74-01	501277401	V-RING		1	

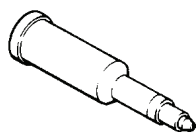
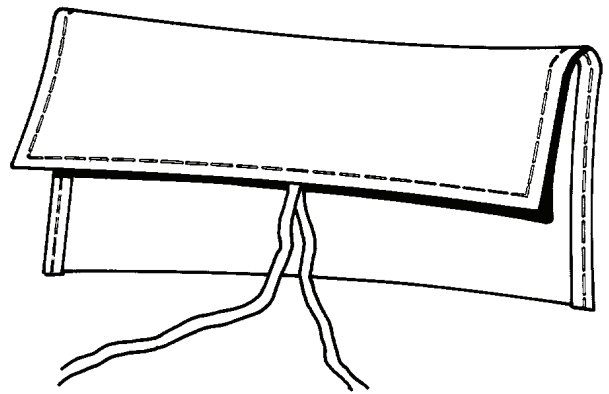
S



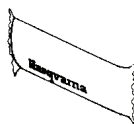
503 55 86-01 NV-4



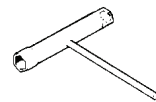
503 55 86-02 NV-5



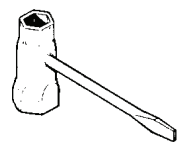
501 91 14-01



503 62 12-01



501 68 89-01



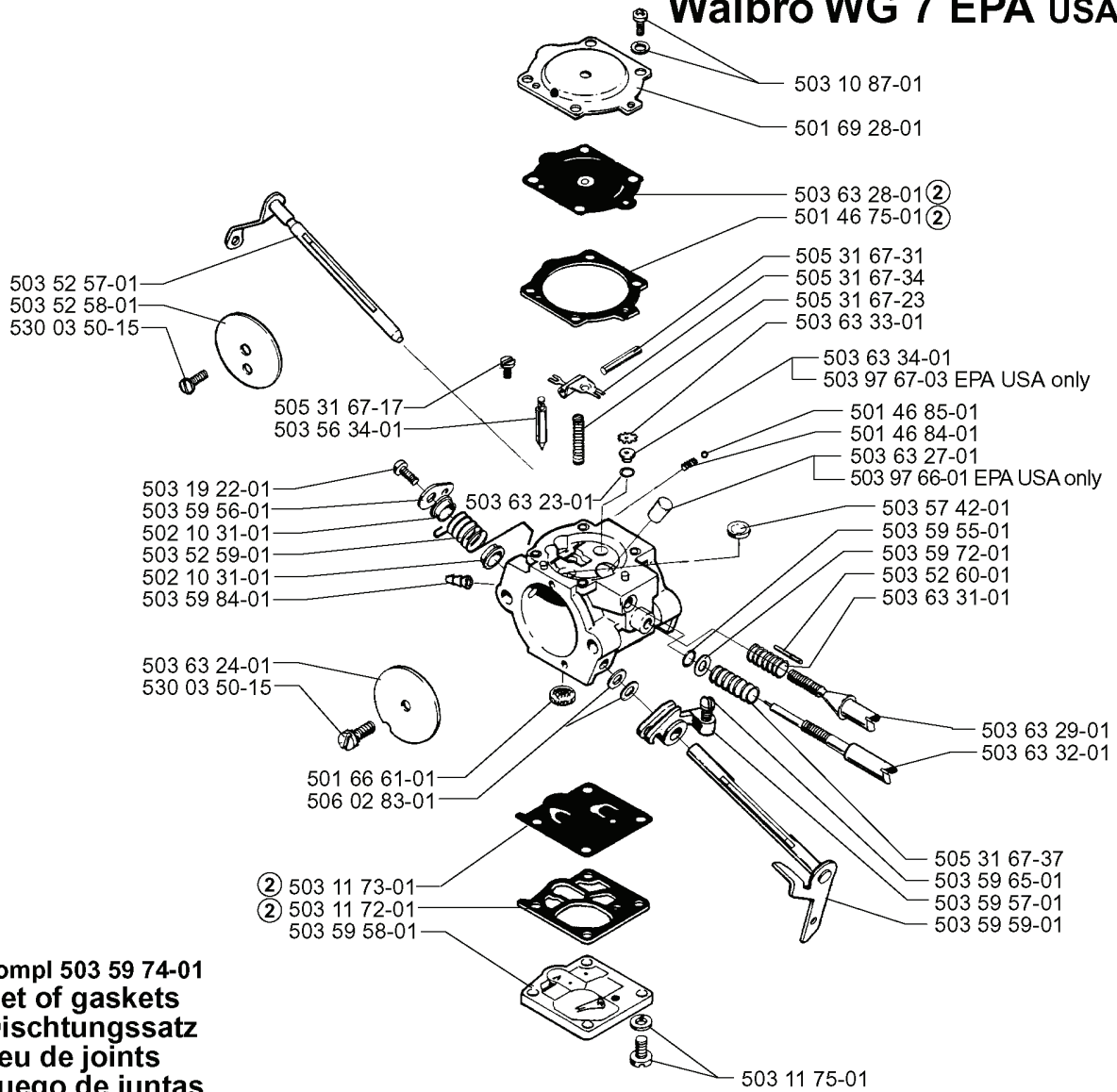
503 13 96-01

---

REF.	PART NO.	DESCRIPTION	REMARK	QTY.	KIT
5035586-01	503558601	SPANNER	NV-4	1	
5019114-01	501911401	GREASE GUN		1	
5035586-02	503558602	SPANNER	NV-5	1	
5036212-01	503621201	GREASE		1	
5016889-01	501688901	COMBINATION WRENCH		1	
5031396-01	503139601	COMBINATION WRENCH		1	

**P** compl 503 28 12-12  
 compl 503 28 12-16 EPA

**Walbro WG 6**  
**Walbro WG 7 EPA USA only**



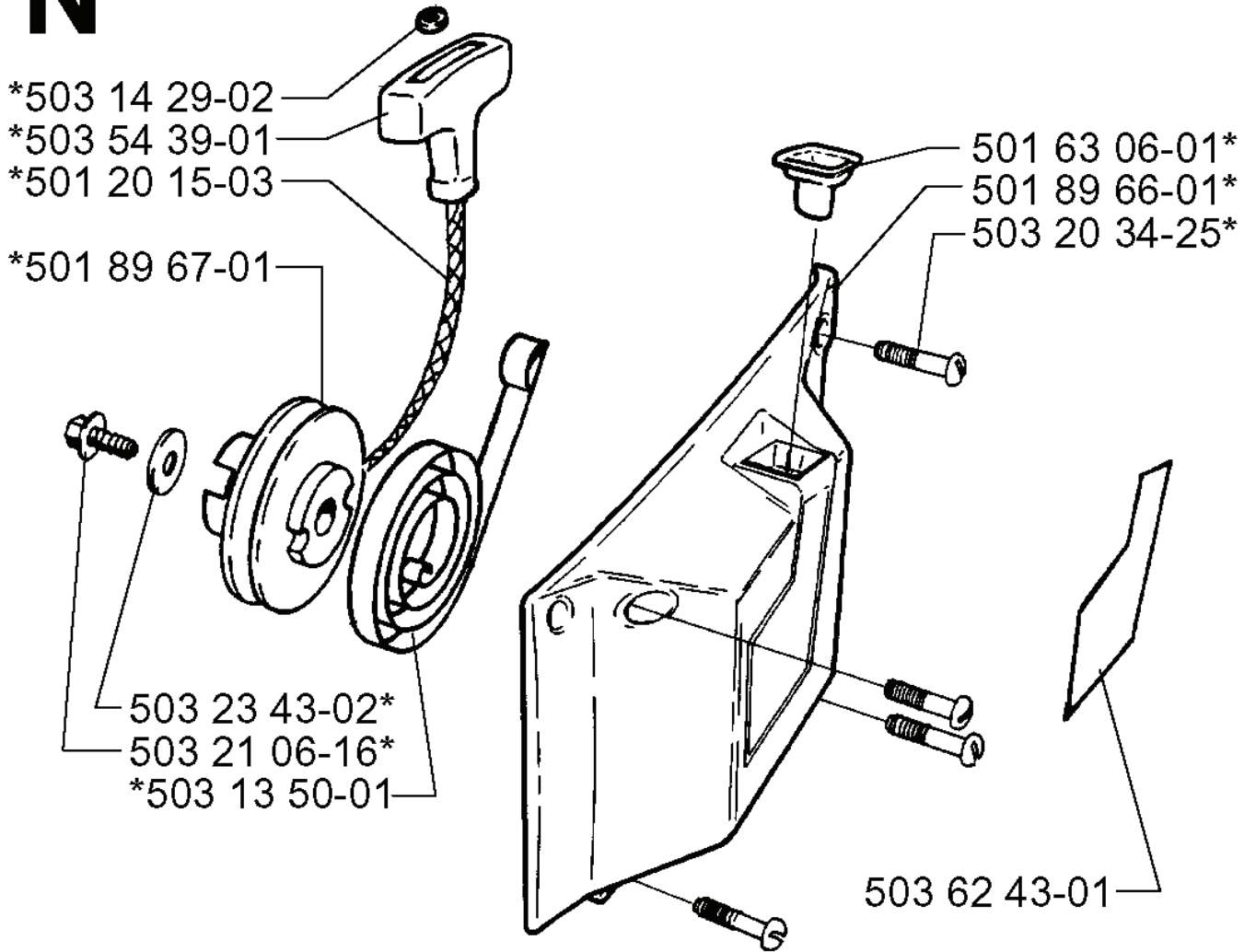
② compl 503 59 74-01  
**Set of gaskets**  
**Dischtungssatz**  
**Jeu de joints**  
**Juego de juntas**  
**Packningssats**

REF.	PART NO.	DESCRIPTION	REMARK	QTY.	KIT
503 28 12-12	503281212	CARBURETTOR		1	
503 28 12-16	503281216	CARBURETTOR	EPA	1	
503 52 57-01	503525701	SHAFT ASSY		1	
503 52 58-01	503525801	VALVE CHOKE		1	
505 31 67-17	505316717	SCREW		1	
503 56 34-01	503563401	NEEDLE VALVE		1	
503 19 22-01	503192201	SCREW PAN HD(M2.5X5)		1	
503 59 56-01	503595601	LEVER		1	
503 52 59-01	503525901	SPRING THROTT RETURN		1	
502 10 31-01	502103101	BUSHING		1	
503 59 84-01	503598401	FITTING		1	
503 63 24-01	503632401	VALVE THROTTLE		1	
530 03 50-15	530035015	SCREW		1	
501 66 61-01	501666101	SCREEN		1	
506 02 83-01	506028301	WASHER		1	
503 11 73-01	503117301	DIAPHRAGM PUMP	503 59 74-01 SET OF GASKETS	1	
503 11 72-01	503117201	GASKET	503 59 74-01 SET OF GASKETS	1	
503 59 58-01	503595801	COVER		1	
503 11 75-01	503117501	SCREW		1	
503 59 59-01	503595901	SHAFT ASSY		1	
503 59 57-01	503595701	LEVER		1	
503 59 65-01	503596501	SCREW		1	
505 31 67-37	505316737	SPRING		1	
503 63 32-01	503633201	NEEDLE IDLE SPEED		1	
503 63 29-01	503632901	SCREW IDLE SPEED		1	
503 63 23-01	503632301	O-RING	1	0	
503 63 31-01	503633101	SPRING		1	
503 52 60-01	503526001	PIN THROTTLE STOP		1	
503 59 72-01	503597201	WASHER		1	
503 59 55-01	503595501	O-RING		1	
503 57 42-01	503574201	PLUG		1	
503 97 66-01	503976601	NOZZLE ASSY	EPA USA ONLY	1	
503 63 27-01	503632701	NOZZLE ASSY CH.VALVE		1	
501 46 84-01	501468401	SPRING		1	
501 46 85-01	501468501	BALL		1	
503 97 67-03	503976703	JET	EPA USA ONLY	1	
503 63 34-01	503633401	JET		1	
503 63 33-01	503633301	WASHER		1	
505 31 67-23	505316723	SPRING		1	
505 31 67-34	505316734	LEVER		1	
505 31 67-31	505316731	PIN		1	

---

REF.	PART NO.	DESCRIPTION	REMARK	QTY.	KIT
501 46 75-01	501467501	GASKET	503 59 74-01 SET OF GASKETS	1	
503 63 28-01	503632801	DIAPHRAGM ASSY	503 59 74-01 SET OF GASKETS	1	
501 69 28-01	501692801	COVER		1	
503 10 87-01	503108701	SCREW		1	

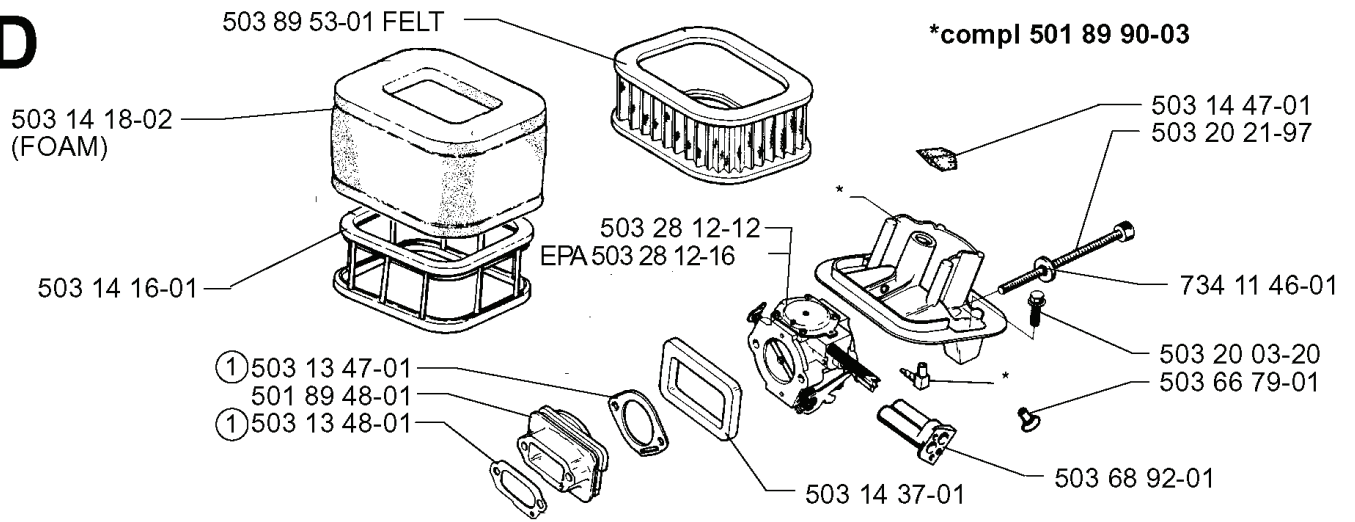
**N** \*compl 501 89 65-02



---

REF.	PART NO.	DESCRIPTION	REMARK	QTY.	KIT
5018965-02	501896502	STARTER ASSY		1	
5031429-02	503142902	WASHER		1	
5035439-01	503543901	STARTER HANDLE		1	
5012015-03	501201503	STARTER ROPE		1	
5018967-01	501896701	STARTER PULLEY		1	
5032343-02	503234302	WASHER		1	
5032106-16	503210616	SCREW IHST		1	
5031350-01	503135001	RECOIL SPRING		1	
5036243-01	503624301	DECAL		1	
5032034-25	503203425	SCREW CCRPANMO		1	
5018966-01	501896601	STARTER HOUSING		1	
5016306-01	501630601	SLEEVE		1	

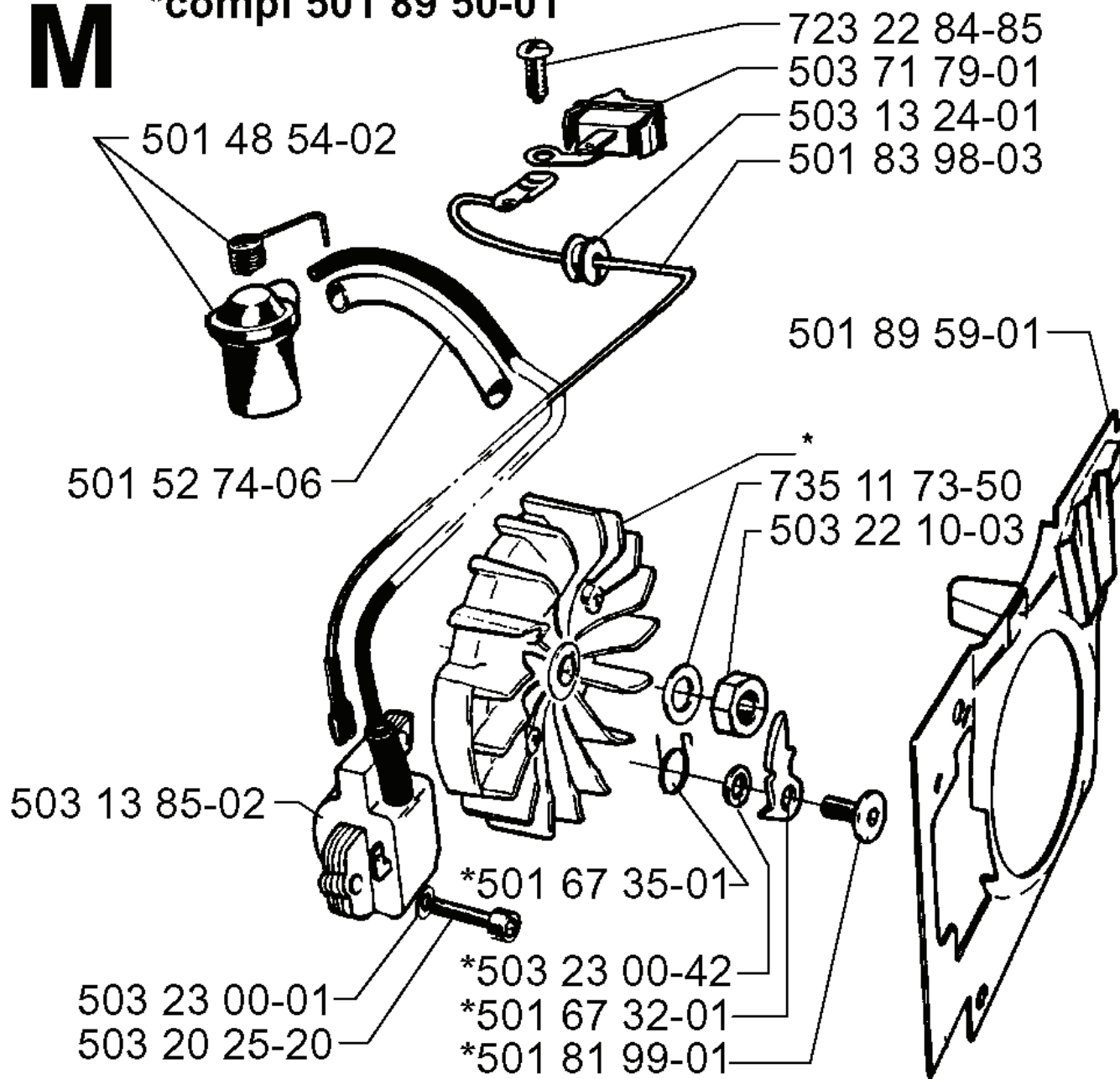
**D**





**M**

\*compl 501 89 50-01



REF.	PART NO.	DESCRIPTION	REMARK	QTY.	KIT
5018950-01	501895001	FLYWHEEL ASSY		1	
5014854-02	501485402	SPARK PLUG CAP		1	
5015274-06	501527406	RUBBER HOSE		1	
5031385-02	503138502	ELECTRONIC MODULE		1	
5032300-01	503230001	WASHER		1	
5032025-20	503202520	SCREW IHSCM		1	
5018199-01	501819901	SCREW		1	
5016732-01	501673201	PAWL		1	
5032300-42	503230042	WASHER		1	
5016735-01	501673501	SPRING		1	
5032210-03	503221003	HEXAGON NUT		1	
7351173-50	735117350	SPRING WASHER		1	
5018959-01	501895901	LEDSKENA		1	
5018398-03	501839803	CABLE		1	
5031324-01	503132401	CABLE GROMMET		1	
5037179-01	503717901	STOP SWITCH		1	
7232284-85	723228485	SCREW SLPANM		1	



---

REF.	PART NO.	DESCRIPTION	REMARK	QTY.	KIT
503 89 72-71	503897271	CYLINDER ASSY		1	
501 51 54-01	501515401	SUPPORT		1	
503 21 60-25	503216025	SCREW		1	
503 23 00-05	503230005	WASHER		1	
503 66 56-01	503665601	DECOMPRESSION VALVE		1	
503 13 13-01	503131301	GASKET		1	
503 13 29-01	503132901	NEEDLE HOLDER		1	
737 44 13-00	737441300	CIRCLIP		1	
503 28 90-26	503289026	PISTON RING		1	
503 13 46-01	503134601	GASKET		1	
501 89 41-03	501894103	PISTON ASSY		1	
503 23 51-08	503235108	SPARK PLUG		1	
1	503142501	GASKET KIT		1	

**G**

\*compl 503 13 00-01 Europe  
\*compl 503 83 65-01 FF

729 53 40-01\*  
503 14 02-01\*  
503 13 12-01\*

compl 503 14 30-01 (Jungle)

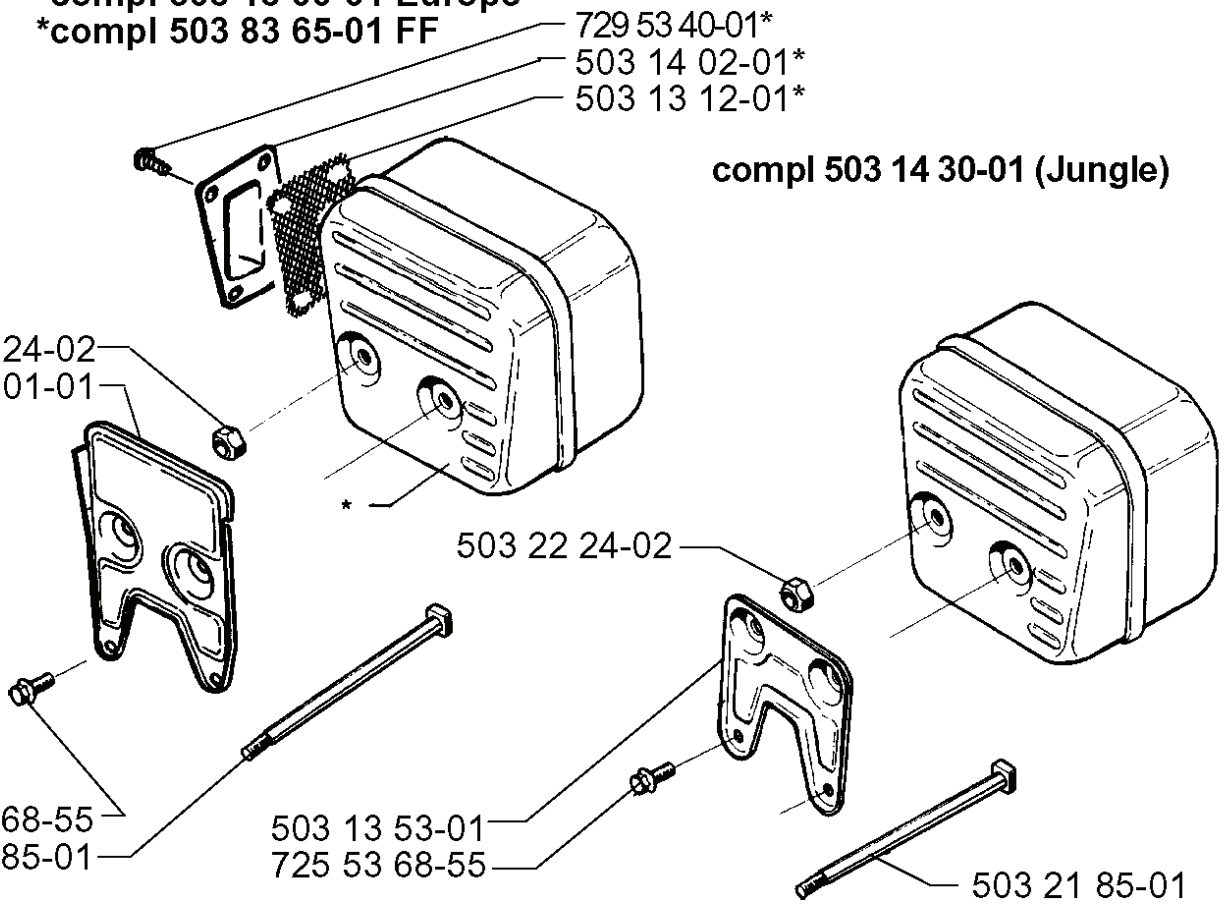
503 22 24-02  
503 14 01-01

503 22 24-02

725 53 68-55  
503 21 85-01

503 13 53-01  
725 53 68-55

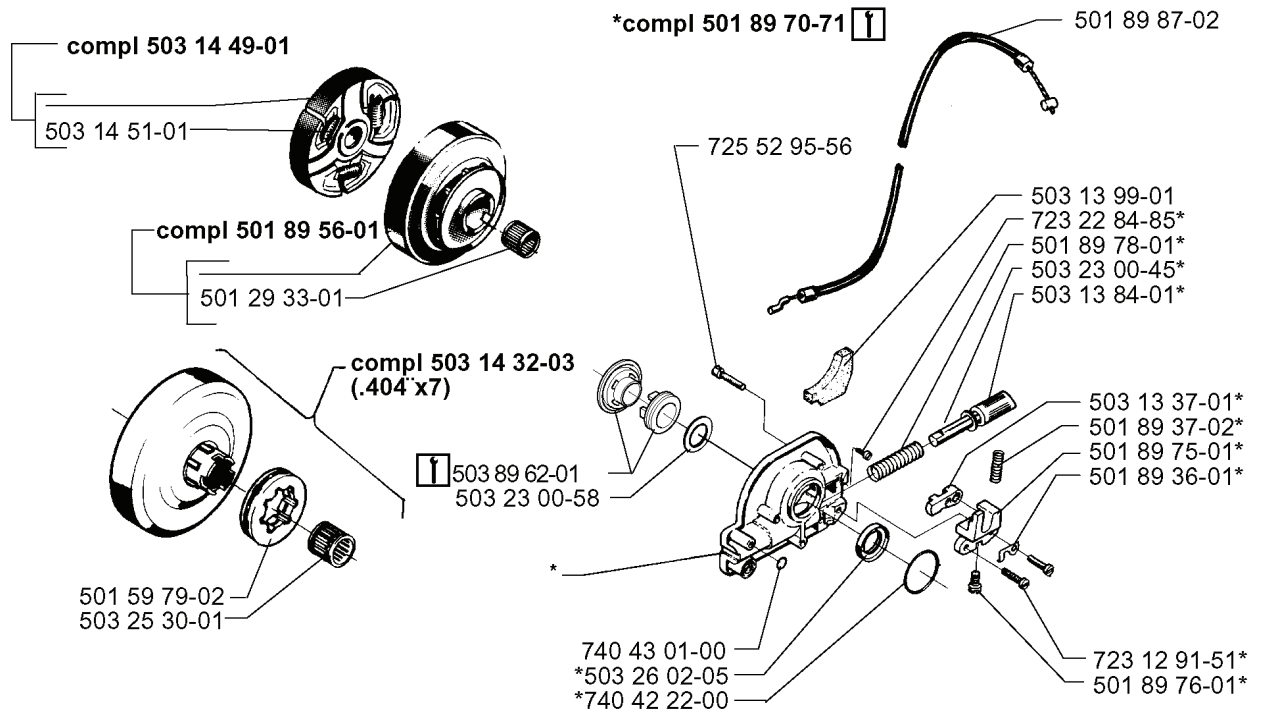
503 21 85-01



---

REF.	PART NO.	DESCRIPTION	REMARK	QTY.	KIT
503 13 00-01	503130001	MUFFLER ASSY	EUROPE	1	
503 83 65-01	503836501	MUFFLER	FF	1	
503 22 24-02	503222402	LOCK NUT		1	
503 14 01-01	503140101	SUPPORT		1	
725 53 68-55	725536855	SCREW IHSCM		1	
503 13 53-01	503135301	SUPPORT		1	
503 21 85-01	503218501	SCREW		1	
503 14 30-01	503143001	MUFFLER ASSY	JUNGLE	1	
503 13 12-01	503131201	SCREEN		1	
503 14 02-01	503140201	EXHAUST DUCT		1	
729 53 40-01	729534001	SCREW CCRPANT		1	

**K**



REF.	PART NO.	DESCRIPTION	REMARK	QTY.	KIT
503 14 49-01	503144901	CLUTCH ASSY		1	
503 14 51-01	503145101	CLUTCH SPRING		1	
501 89 56-01	501895601	CLUTCH DRUM ASSY		1	
501 29 33-01	501293301	NEEDLE BEARING		1	
503 14 32-03	503143203	CLUTCH DRUM	.404X7	1	
503 89 62-01	503896201	GEAR WHEEL ASSY		1	
503 23 00-58	503230058	WASHER		1	
501 59 79-02	501597902	RIM		1	
503 25 30-01	503253001	NEEDLE BEARING		1	
740 42 22-00	740422200	O-RING		1	
503 26 02-05	503260205	SEALING RING		1	
740 43 01-00	740430100	O-RING		1	
501 89 76-01	501897601	ADJUSTMENT SCREW		1	
723 12 91-51	723129151	SCREW SLCHM		1	
501 89 36-01	501893601	LOCKING SPRING		1	
501 89 75-01	501897501	BRACKET		1	
501 89 37-02	501893702	SPRING		1	
503 13 37-01	503133701	LEVER		1	
503 13 84-01	503138401	PUMP PISTON		1	
503 23 00-45	503230045	WASHER		1	
501 89 78-01	501897801	RECOIL SPRING		1	
723 22 84-85	723228485	SCREW SLPANM		1	
503 13 99-01	503139901	SEALING		1	
725 52 95-56	725529556	SCREW IHSCM		1	
501 89 87-02	501898702	CABLE ASSY		1	
501 89 70-71	501897071	OIL PUMP ASSY		1	

**E**

\*compl 503 14 21-02

compl 503 14 55-01

\*720 12 40-20

\*503 13 16-02

\*503 13 18-01

\*720 12 40-20

\*720 12 78-06

\*503 13 36-02

503 60 04-01\*

501 87 31-01\*

503 13 26-01

503 14 23-01\*

503 57 76-02

503 51 71-01

503 13 27-01

725 53 41-56

503 13 25-01

725 53 68-55

503 14 05-01

725 23 35-55

725 53 27-55

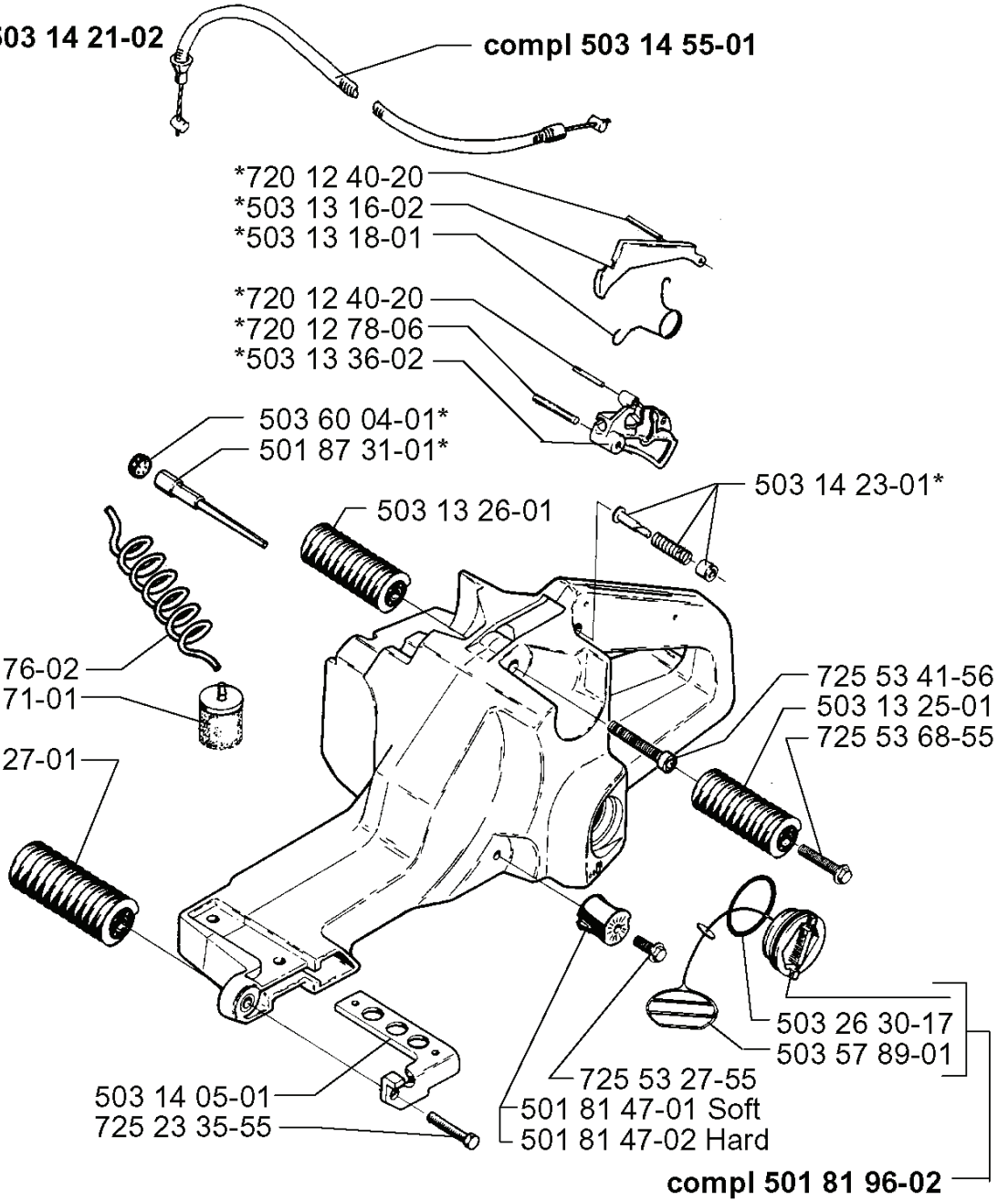
501 81 47-01 Soft

501 81 47-02 Hard

503 26 30-17

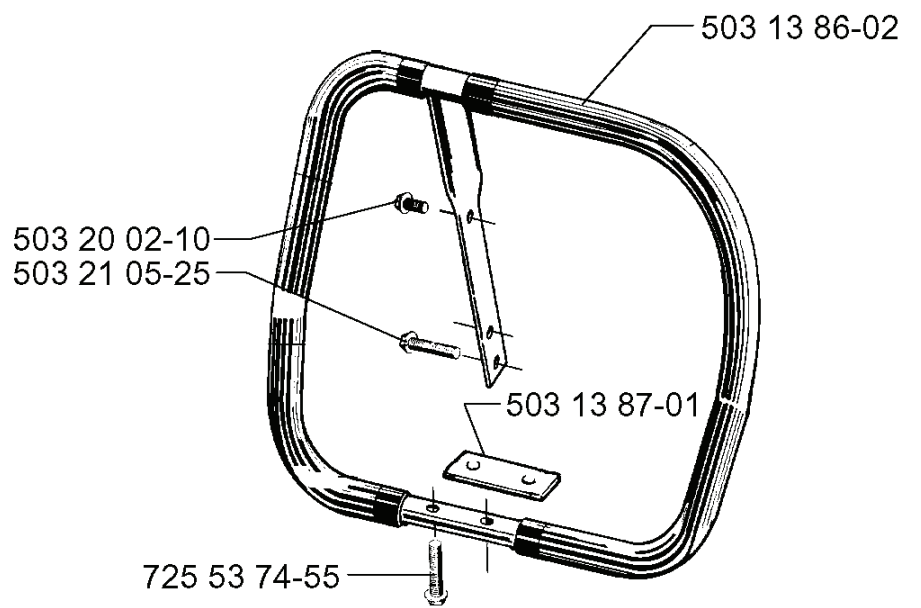
503 57 89-01

compl 501 81 96-02



REF.	PART NO.	DESCRIPTION	REMARK	QTY.	KIT
503 14 21-02	503142102	TANK UNIT ASSY		1	
503 13 16-02	503131602	THROTTLE LOCKOUT		1	
503 13 18-01	503131801	SPRING		1	
720 12 40-20	720124020	PARALLEL PIN		1	
720 12 78-06	720127806	PARALLEL PIN		1	
503 13 36-02	503133602	THROTTLE CONTROL ASSY		1	
503 60 04-01	503600401	FILTER PLUG		1	
501 87 31-01	501873101	TANK VENT ASSY		1	
503 57 76-02	503577602	FUEL HOSE		1	
503 51 71-01	503517101	FUEL FILTER		1	
503 13 27-01	503132701	ANTIVIBRATION ELEMENT		1	
503 14 05-01	503140501	BRACKET		1	
725 23 35-55	725233555	SCREW EHHM		1	
501 81 47-02	501814702	ANTIVIBRATION ELEMENT	HARD	1	
501 81 47-01	501814701	ANTIVIBRATION ELEMENT	SOFT	1	
725 53 27-55	725532755	SCREW IHSCM		1	
501 81 96-02	501819602	TANK CAP ASSY		1	
503 57 89-01	503578901	HOLDER		1	
503 26 30-17	503263017	O-RING		1	
725 53 68-55	725536855	SCREW IHSCM		1	
503 13 25-01	503132501	ANTIVIBRATION ELEMENT		1	
725 53 41-56	725534156	SCREW IHSCM		1	
503 13 26-01	503132601	ANTIVIBRATION ELEMENT		1	
503 14 23-01	503142301	PIN		1	
503 14 55-01	503145501	THROTTLE CABLE ASSY		1	

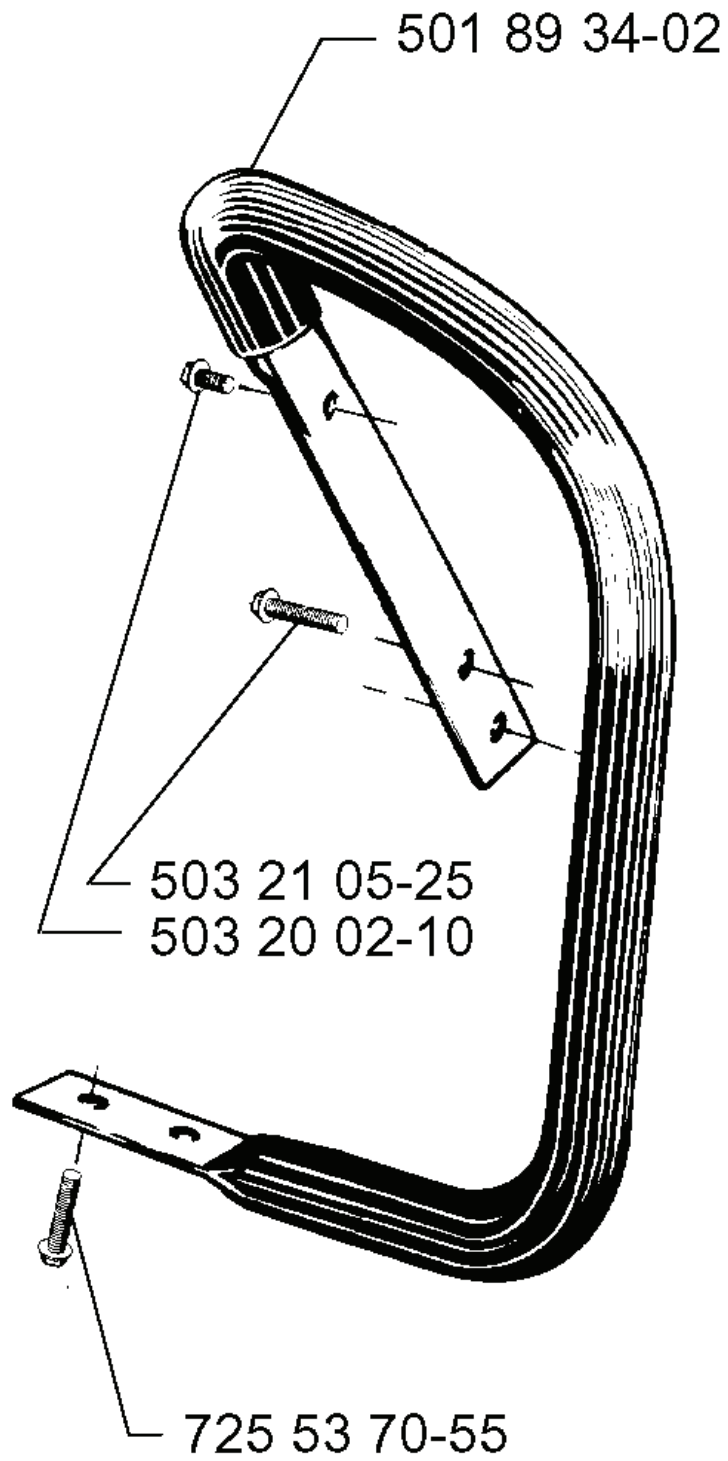
R



---

REF.	PART NO.	DESCRIPTION	REMARK	QTY.	KIT
503 20 02-10	503200210	SCREW IHSCFM		1	
503 21 05-25	503210525	SCREW IH SCT		1	
725 53 74-55	725537455	SCREW IHSCM		1	
503 13 87-01	503138701	SPACER		1	
503 13 86-02	503138602	HANDLE WRAP AROUND ASSY		1	

J



---

REF.	PART NO.	DESCRIPTION	REMARK	QTY.	KIT
5018934-02	501893402	FRONT HANDLE ASSY		1	
5032105-25	503210525	SCREW IH SCT		1	
5032002-10	503200210	SCREW IH SCFM		1	
7255370-55	725537055	SCREW IH SCM		1	
	PART NO.		REMARK		KIT