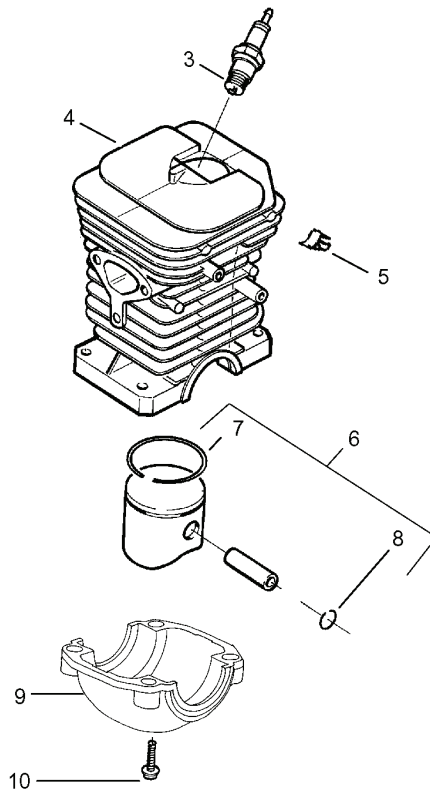


142 (NORTH AMERICA), 20082200001-Curre

---

# **SPARE PARTS LIST**

PARTS LIST NO. <b>530165248</b>		<b>Husqvarna® PARTS LIST</b>	CHAIN SAW MODEL(s) <b>142 North America</b>
DATE <b>4/09/08</b>	Replaces 530165248 - 2/21/08		<b>Note:</b> Illustration may differ from actual model due to design changes



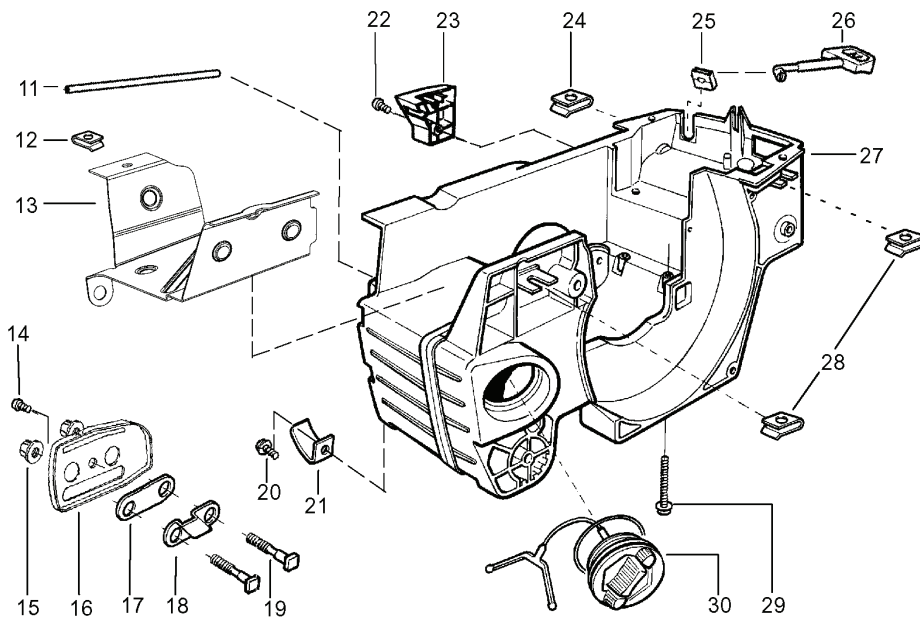
✓ = NEW PART NUMBER FOR THIS IPL

\* = REFER TO THE SERVICE REFERENCE INDICATED FOR MORE INFORMATION. (LOCATED AT END OF IPL)

---

REF.	PART NO.	DESCRIPTION	REMARK	QTY.	KIT
3	952030150	SPARK PLUG		1	
4	530069941	CYLINDER		1	
5	530015696	CABLE CLAMP		1	
6	530069454	PISTON		1	
7	530029982	PISTON RING		1	
8	530015697	LOCKING RING		1	
9	530049794	CRANKCASE		1	
10	530015897	SCREW		1	

PARTS LIST NO.		<b>Husqvarna® PARTS LIST</b>	CHAIN SAW MODEL(s)
530165248			142 North America
DATE	Replaces	<b>Note: Illustration may differ from actual model due to design changes</b>	PAGE NO.
4/09/08	530165248 - 2/21/08		4



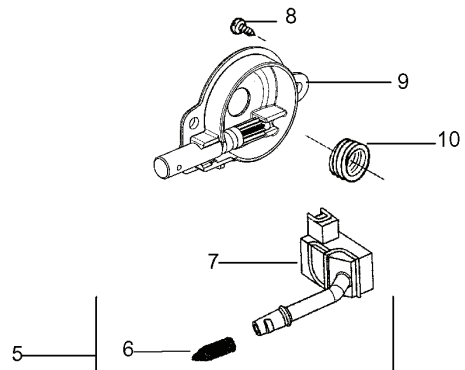
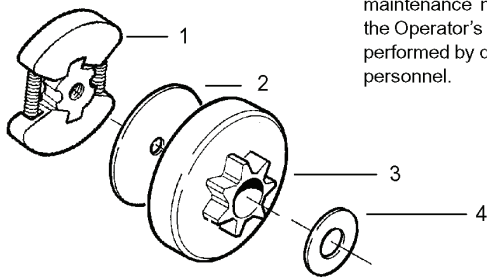
---

REF.	PART NO.	DESCRIPTION	REMARK	QTY.	KIT
11	545033501	HOSE		1	
12	530055322	NUT		1	
13	530055174	PROTECTION		1	
14	530015896	SCREW		1	
15	530015917	NUT		1	
16	530047855	PLATE		1	
17	530019228	SEALING		1	
18	530036043	SUPPORT		1	
19	530015877	BOLT		1	
20	530015878	SCREW		1	
21	530029850	CHAIN CATCHER		1	
22	530015893	SCREW		1	
23	530052428	COVER		1	
24	530015922	NUT		1	
25	530029830	GUIDE		1	
26	530029831	CHOKE CONTROL		1	
27	530071991	CRANKCASE		1	
28	530015922	NUT		1	
29	530016037	SCREW		1	
30	501765602	TANK CAP ASSY		1	

PARTS LIST NO. <b>530165248</b>		<b>Husqvarna® PARTS LIST</b>	CHAIN SAW MODEL(s) <b>142 North America</b>
DATE <b>4/09/08</b>	Replaces 530165248 - 2/21/08		<b>Note:</b> Illustration may differ from actual model due to design changes

**⚠ WARNING**

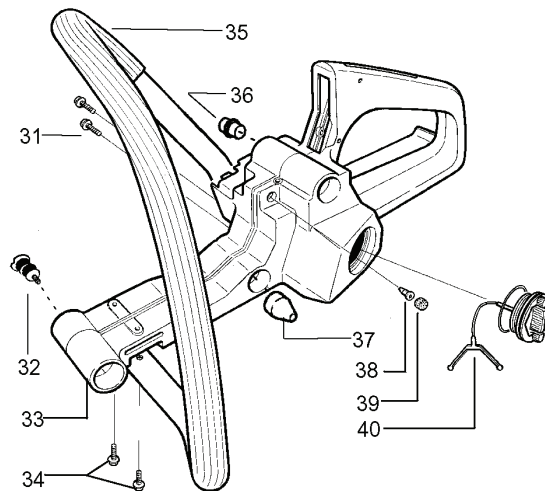
All repairs, adjustments and maintenance not described in the Operator's Manual must be performed by qualified service personnel.



---

REF.	PART NO.	DESCRIPTION	REMARK	QTY.	KIT
1	530014949	CLUTCH		1	
2	530015611	WASHER		1	
3	530047061	CLUTCH DRUM ASSY		1	
4	530015907	WASHER		1	
5	530014776	OIL PICK-UP		1	
6	530056533	SCREEN		1	
7	545037101	SEALING		1	
8	530015896	SCREW		1	
9	530014410	OIL PUMP		1	
10	530029833	PUMP		1	

PARTS LIST NO. <b>530165248</b>		<b>Husqvarna® PARTS LIST</b>	CHAIN SAW MODEL(s) <b>142 North America</b>
DATE <b>4/09/08</b>	Replaces 530165248 - 2/21/08		<b>Note: Illustration may differ from actual model due to design changes</b>

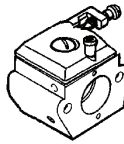


---

REF.	PART NO.	DESCRIPTION	REMARK	QTY.	KIT
31	530015940	SCREW		1	
32	530029870	INSULATOR		1	
33	530055613	FUEL TANK		1	
34	530015843	SCREW		1	
35	530059961	HANDLE		1	
36	530052439	MOVEMENT LIMITER		1	
37	530029984	LIMITER		1	
38	530026119	CHECK VALVE		1	
39	530038264	PLUG		1	
40	530071266	FUEL CAP		1	

PARTS LIST NO. <b>530165248</b>		<b>Husqvarna® PARTS LIST</b>	CHAIN SAW MODEL(s) <b>142 North America</b>
DATE <b>4/09/08</b>	Replaces 530165248 - 2/21/08		<b>Note:</b> Illustration may differ from actual model due to design changes

**Kit - Carburetor Assembly No. 530071987 - Zama W-29**



Carb  
Repair  
Kit

1

**⚠ WARNING**

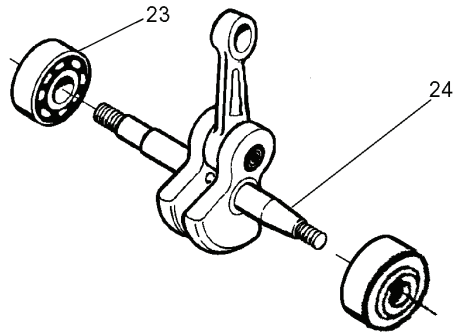
All repairs, adjustments and maintenance not described in the Operator's Manual must be performed by qualified service personnel.

✓ = NEW PART NUMBER FOR THIS IPL      ★ = REFER TO THE SERVICE REFERENCE INDICATED FOR MORE INFORMATION. (LOCATED AT END OF IPL)  
● = THESE PARTS ARE ILLUSTRATED FOR CLARITY. ORDER COMPLETE ASSEMBLY.

---

REF.	PART NO.	DESCRIPTION	REMARK	QTY.	KIT
1	530035269	REPAIR KIT		1	
-	530035260	CARBURETTOR		1	

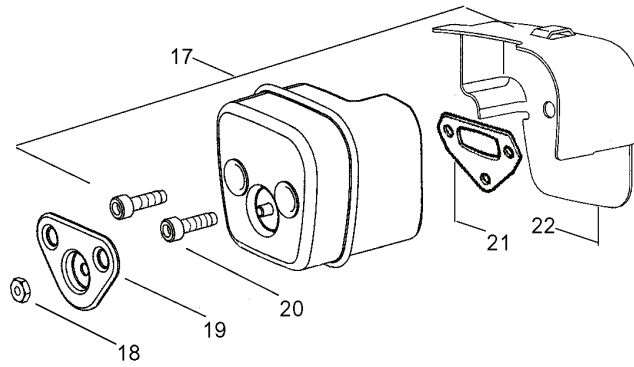
PARTS LIST NO. <b>530165248</b>		<b>Husqvarna® PARTS LIST</b>	CHAIN SAW MODEL(s) <b>142 North America</b>
DATE <b>4/09/08</b>	Replaces 530165248 - 2/21/08		PAGE NO. <b>3</b>
<b>Note: Illustration may differ from actual model due to design changes</b>			



---

REF.	PART NO.	DESCRIPTION	REMARK	QTY.	KIT
23	530056363	BEARING		1	
24	530029794	CRANKSHAFT		1	

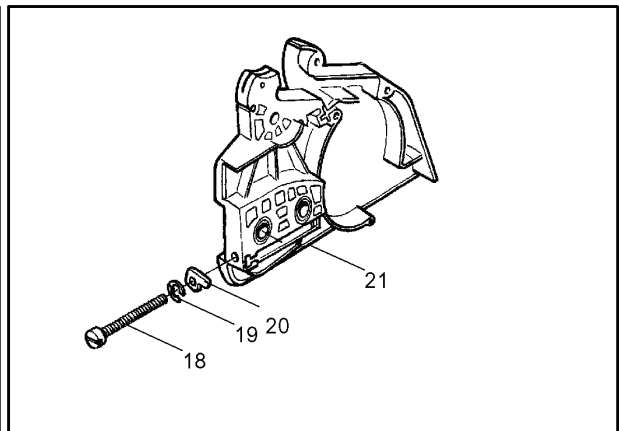
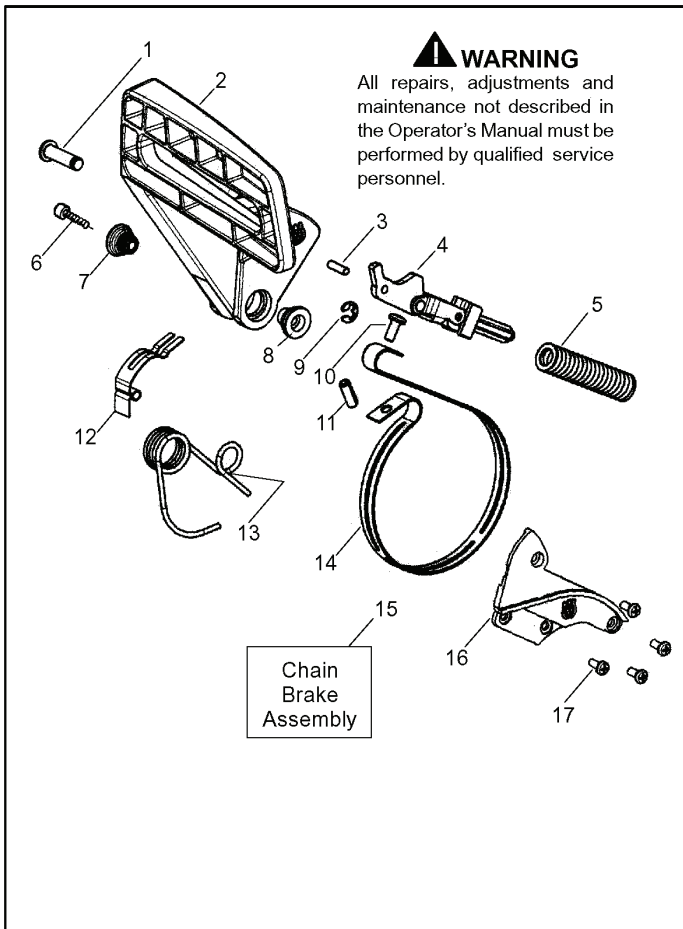
PARTS LIST NO. <b>530165248</b>		<b>Husqvarna® PARTS LIST</b>	CHAIN SAW MODEL(s) <b>142 North America</b>
DATE <b>4/09/08</b>	Replaces 530165248 - 2/21/08		<b>Note: Illustration may differ from actual model due to design changes</b>



---

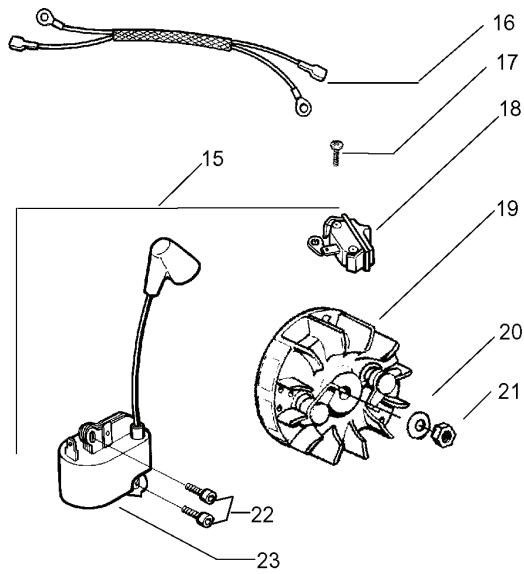
REF.	PART NO.	DESCRIPTION	REMARK	QTY.	KIT
17	545006044	KIT		1	
18	530016359	NUT		1	
19	530055600	WASHER		1	
20	530016338	BOLT		1	
21	530055128	GASKET		1	
22	530055171	COUVERCLE		1	

PARTS LIST NO. <b>530165248</b>		<b>Husqvarna® PARTS LIST</b>	CHAIN SAW MODEL(s) <b>142 North America</b>
DATE <b>4/09/08</b>	Replaces 530165248 - 2/21/08		<b>Note:</b> Illustration may differ from actual model due to design changes



REF.	PART NO.	DESCRIPTION	REMARK	QTY.	KIT
1	530029879	SCREW		1	
2	530071348	LEVER		1	
3	530015915	SCREW		1	
4	530054741	KNEE LINK		1	
5	530016237	SPRING		1	
6	530016384	SCREW		1	
7	530056531	SHAFT PIVOT		1	
8	530029881	SHAFT PIVOT		1	
9	530024419	E-CLIP		1	
10	530015911	SCREW		1	
11	530015913	PEN		1	
12	530029878	SPRING		1	
13	530015910	SPRING		1	
14	530052232	BRAKE BAND		1	
15	530054802	CHAIN BRAKE ASSY		1	
16	530053035	COVER		1	
17	530015911	SCREW		1	
18	530016110	SCREW		1	
19	530038593	RETAINER		1	
20	530015826	PEN		1	
21	530049483	CLUTCH COVER		1	
-	545133466	MANUAL OPERATORS		1	
-	530031135	WRENCH		1	
-	530047839	DECAL		1	

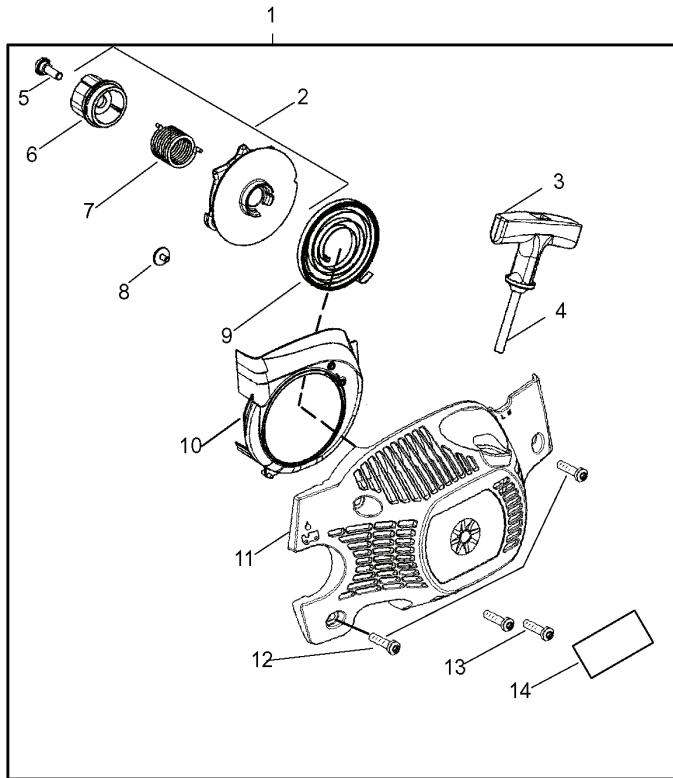
PARTS LIST NO. <b>530165248</b>		<b>Husqvarna® PARTS LIST</b>	CHAIN SAW MODEL(s) <b>142 North America</b>
DATE <b>4/09/08</b>	Replaces 530165248 - 2/21/08		<b>Note: Illustration may differ from actual model due to design changes</b>



---

REF.	PART NO.	DESCRIPTION	REMARK	QTY.	KIT
15	530071967	IGNITION MODULE		1	
16	530403257	CABLE		1	
17	530015896	SCREW		1	
18	503717901	STOP SWITCH		1	
19	530059637	FLYWHEEL ASSY		1	
20	530015127	WASHER		1	
21	530016134	NUT		1	
22	545121901	SCREW		1	
23	545063901	MODULE IIDA IGNITION		1	

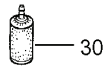
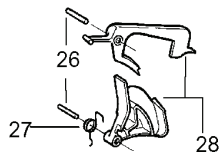
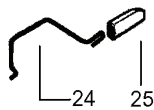
PARTS LIST NO. <b>530165248</b>		<b>Husqvarna® PARTS LIST</b>	CHAIN SAW MODEL(s) <b>142 North America</b>
DATE <b>4/09/08</b>	Replaces 530165248 - 2/21/08		<b>Note:</b> Illustration may differ from actual model due to design changes



---

REF.	PART NO.	DESCRIPTION	REMARK	QTY.	KIT
1	530071968	STARTER DEVICE		1	
2	530071966	STARTER PULLEY		1	
3	530150318	HANDLE		1	
4	530069232	STARTER ROPE		1	
5	530021179	SCREW		1	
6	530059677	SLEEVE		1	
7	530021180	SPRING		1	
8	530016080	SCREW		1	
9	530042095	SPRING		1	
10	530059959	BAFFLE		1	
11	530059958	STARTER		1	
12	530015893	SCREW		1	
13	530015892	SCREW		1	
14	545005218	DECAL		1	

PARTS LIST NO. <b>530165248</b>		<b>Husqvarna® PARTS LIST</b>	CHAIN SAW MODEL(s) <b>142 North America</b>
DATE <b>4/09/08</b>	Replaces 530165248 - 2/21/08		<b>Note: Illustration may differ from actual model due to design changes</b>



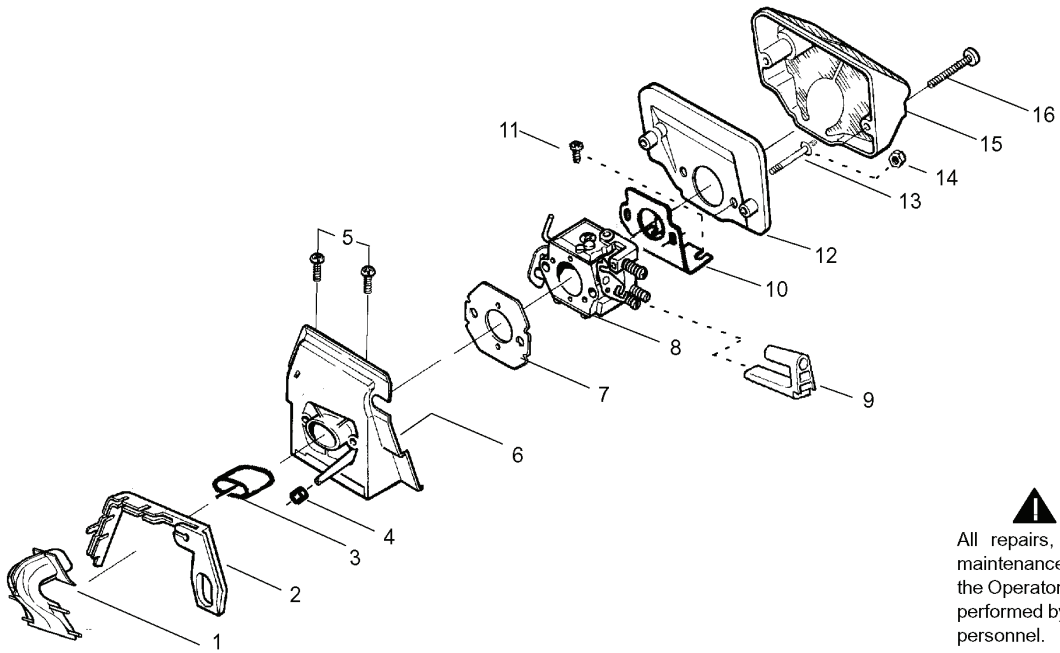
**⚠ WARNING**

All repairs, adjustments and maintenance not described in the Operator's Manual must be performed by qualified service personnel.

---

REF.	PART NO.	DESCRIPTION	REMARK	QTY.	KIT
24	530029869	THROTTLE ROD		1	
25	530029863	HUB CAP		1	
26	530029860	SCREW		1	
27	530029861	SPRING		1	
28	530069587	THROTTLE TRIGGER		1	
29	530069247	HOSE		1	
30	530014497	FILTER		1	

PARTS LIST NO. <b>530165248</b>		<b>Husqvarna® PARTS LIST</b>	CHAIN SAW MODEL(s) <b>142 North America</b>
DATE <b>4/09/08</b>	Replaces 530165248 - 2/21/08		<b>Note:</b> Illustration may differ from actual model due to design changes



**⚠ WARNING**

All repairs, adjustments and maintenance not described in the Operator's Manual must be performed by qualified service personnel.

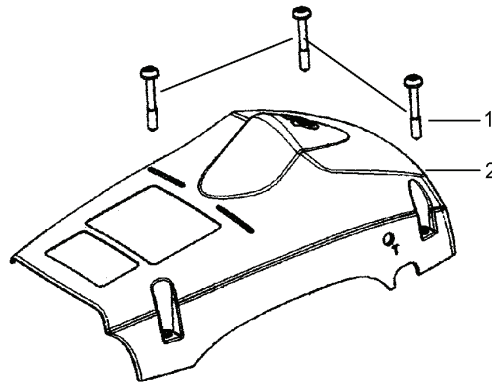
---

REF.	PART NO.	DESCRIPTION	REMARK	QTY.	KIT
1	530029813	JET		1	
2	530019203	SEALING		1	
3	530029814	PIPE		1	
4	530053435	HOSE		1	
5	530015814	SCREW		1	
6	530037465	ADAPTER		1	
7	530019172	GASKET		1	
-	530071987	CARBURETTOR		1	
-	545013502	CARBURETTOR		1	
9	530035587	PASSAGE		1	
10	530047767	SUPPORT		1	
11	530015896	SCREW		1	
12	530036582	HOLDER		1	
13	530015968	SCREW		1	
14	530016008	NUT		1	
15	545057801	AIR FILTER COVER		1	
16	530015899	SCREW		1	

PARTS LIST NO. <b>530165248</b>		<b>Husqvarna® PARTS LIST</b>	CHAIN SAW MODEL(s) <b>142 North America</b>
DATE <b>4/09/08</b>	Replaces 530165248 - 2/21/08		<b>Note:</b> Illustration may differ from actual model due to design changes

**⚠ WARNING**

All repairs, adjustments and maintenance not described in the Operator's Manual must be performed by qualified service personnel.



✓ = NEW PART NUMBER FOR THIS IPL

\* = REFER TO THE SERVICE REFERENCE INDICATED FOR MORE INFORMATION. (LOCATED AT END OF IPL)

---

REF.	PART NO.	DESCRIPTION	REMARK	QTY.	KIT
1	530016154	SCREW		1	
2	530059960	CYLINDER COVER		1	