

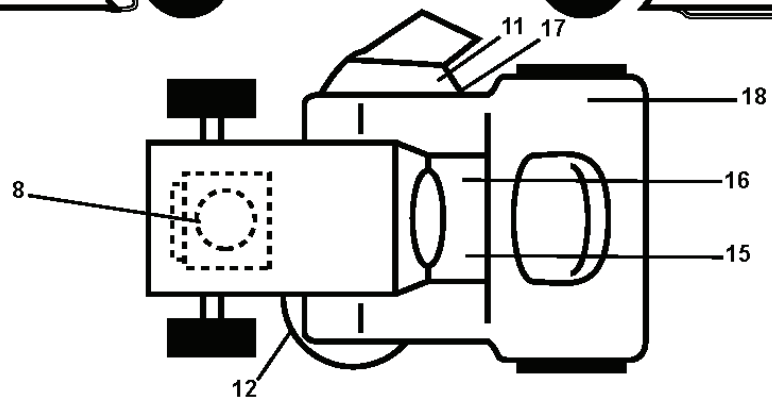
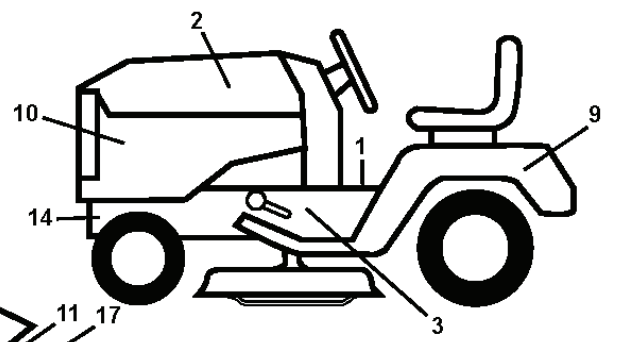
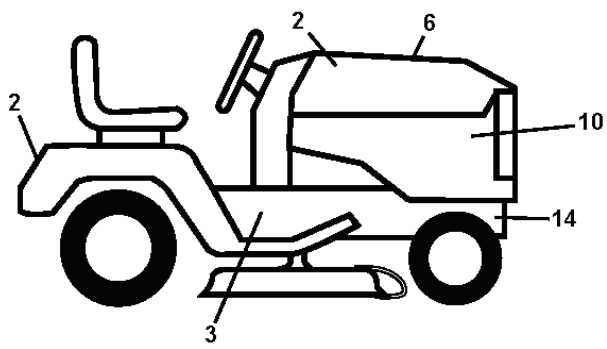
LTH151, 96041002004, 2009-01

---

# **SPARE PARTS LIST**

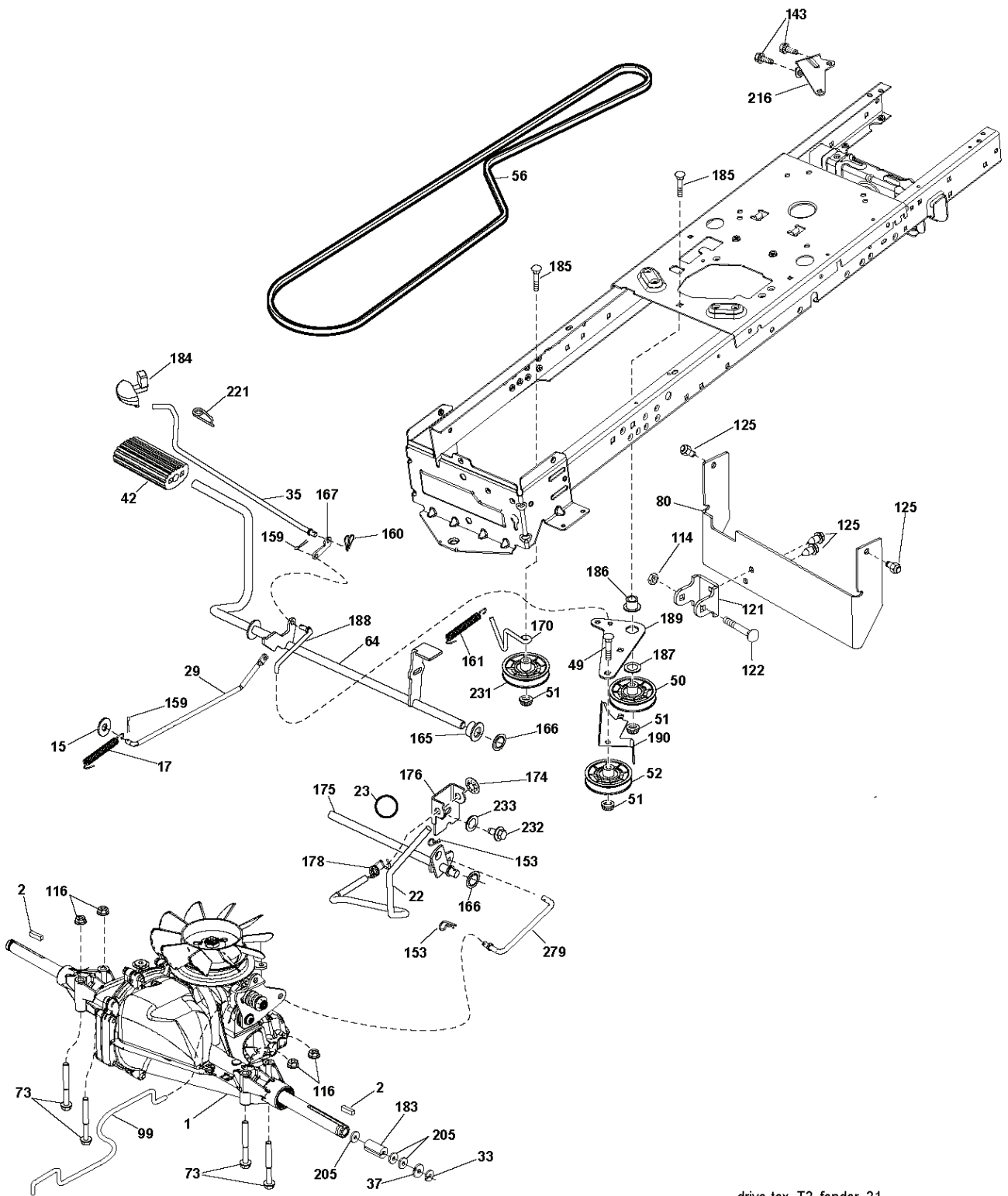


| REF. | PART NO.  | DESCRIPTION   | REMARK | QTY. | KIT |
|------|-----------|---------------|--------|------|-----|
| 3    | 532405012 | LOGOTYPE      |        | 1    |     |
| 5    | 532407592 | PANEL         |        | 1    |     |
| 14   | 532411073 | HOOD          |        | 1    |     |
| 15   | 532411079 | LENS          |        | 1    |     |
| 18   | 532406667 | FRONT COVER   |        | 1    |     |
| 25   | 532411078 | LENS          |        | 1    |     |
| 34   | 532196125 | PLATE         |        | 1    |     |
| 36   | 817060512 | SCREW         |        | 1    |     |
| 37   | 532416307 | FENDER        |        | 1    |     |
| 52   | 873680500 | NUT           |        | 1    |     |
| 58   | 532412280 | PLATE         |        | 1    |     |
| 68   | 817490508 | SCREW         |        | 1    |     |
| 130  | 532416358 | SCREW         |        | 1    |     |
| 137  | 532407590 | DAMPING PIECE |        | 1    |     |
| 150  | 532407537 | AIR CONDUCTOR |        | 1    |     |
| 151  | 532407807 | BRACKET       |        | 1    |     |
| 152  | 532199535 | SHIELD        |        | 1    |     |
| 159  | 817000612 | SCREW         |        | 1    |     |
| 162  | 532142432 | SCREW         |        | 1    |     |
| 175  | 532199472 | PLATE         |        | 1    |     |
| 176  | 532400776 | SCREW         |        | 1    |     |
| 177  | 532195228 | BUSHING       |        | 1    |     |
| 180  | 532415063 | FRAME         |        | 1    |     |
| 181  | 532403025 | BUSHING       |        | 1    |     |
| 182  | 532407176 | DASH          |        | 1    |     |
| 183  | 874780520 | BOLT          |        | 1    |     |
| 189  | 817000512 | SCREW         |        | 1    |     |
| 191  | 532406665 | INSERT        |        | 1    |     |
| 194  | 873900500 | NUT           |        | 1    |     |
| 195  | 532411115 | PLUG          |        | 1    |     |
| 199  | 532413485 | PLATE         |        | 1    |     |
| 202  | 532411074 | AIR CONDUCTOR |        | 1    |     |
| 203  | 532411075 | AIR CONDUCTOR |        | 1    |     |
| 204  | 532411116 | AIR CONDUCTOR |        | 1    |     |
| 205  | 532411076 | FENDER        |        | 1    |     |
| 206  | 532411077 | FENDER        |        | 1    |     |
| 213  | 874760512 | BOLT          |        | 1    |     |
| 214  | 532199145 | CLIP          |        | 1    |     |
| 217  | 532409167 | ROD           |        | 1    |     |
| 218  | 532196395 | PLATE         |        | 1    |     |
| 228  | 532195161 | STUD          |        | 1    |     |
| 234  | 532404742 | DAMPING PIECE |        | 1    |     |
| 235  | 532406129 | SPACER        |        | 1    |     |
| 236  | 873930500 | NUT           |        | 1    |     |
| 238  | 532411119 | FRONT COVER   |        | 1    |     |
| 239  | 532404883 | CLIP          |        | 1    |     |
| 282  | 532414110 | CLIP          |        | 1    |     |
| 283  | 532416316 | CONSOLE       |        | 1    |     |
| 284  | 532416345 | CONSOLE       |        | 1    |     |
| 285  | 532416315 | CONSOLE       |        | 1    |     |
| 286  | 532416317 | CONSOLE       |        | 1    |     |
| 287  | 817600406 | SCREW         |        | 1    |     |
| 297  | 532416500 | INSERT        |        | 1    |     |
| 303  | 532420959 | SHIELD        |        | 1    |     |
| 304  | 532421509 | SHIELD        |        | 1    |     |
| 305  | 872110606 | BOLT          |        | 1    |     |
| 306  | 873900600 | NUT           |        | 1    |     |



---

| REF. | PART NO.  | DESCRIPTION                 | REMARK | QTY. | KIT |
|------|-----------|-----------------------------|--------|------|-----|
| 1    | 532400389 | LABEL                       |        | 1    |     |
| 2    | 532422012 | DECAL                       |        | 1    |     |
| 3    | 532401146 | DECAL                       |        | 1    |     |
| 6    | 532417248 | DECAL                       |        | 1    |     |
| 8    | 532196841 | DECAL                       |        | 1    |     |
| 9    | 532145005 | DECAL                       |        | 1    |     |
| 10   | 532408597 | DECAL                       |        | 1    |     |
| 11   | 532182166 | DECAL                       |        | 1    |     |
| 12   | 532194302 | DECAL.CHEMA MONTAGE         |        | 1    |     |
| 14   | 532159736 | DECAL                       |        | 1    |     |
| 15   | 532159737 | DECAL                       |        | 1    |     |
| 16   | 532140837 | DECAL                       |        | 1    |     |
| 17   | 532196357 | DECAL.C."DANGER DEFLECTEUR" |        | 1    |     |
| 18   | 532180432 | DECAL                       |        | 1    |     |
| --   | 532166960 | DECAL                       |        | 1    |     |
| --   | 532162598 | DECAL                       |        | 1    |     |
| --   | 532410805 | PAD                         |        | 1    |     |
| --   | 532411056 | PAD                         |        | 1    |     |
| --   | 532408959 | OPERATOR'S MANUAL           |        | 1    |     |



drive-tex\_T2\_fender\_21

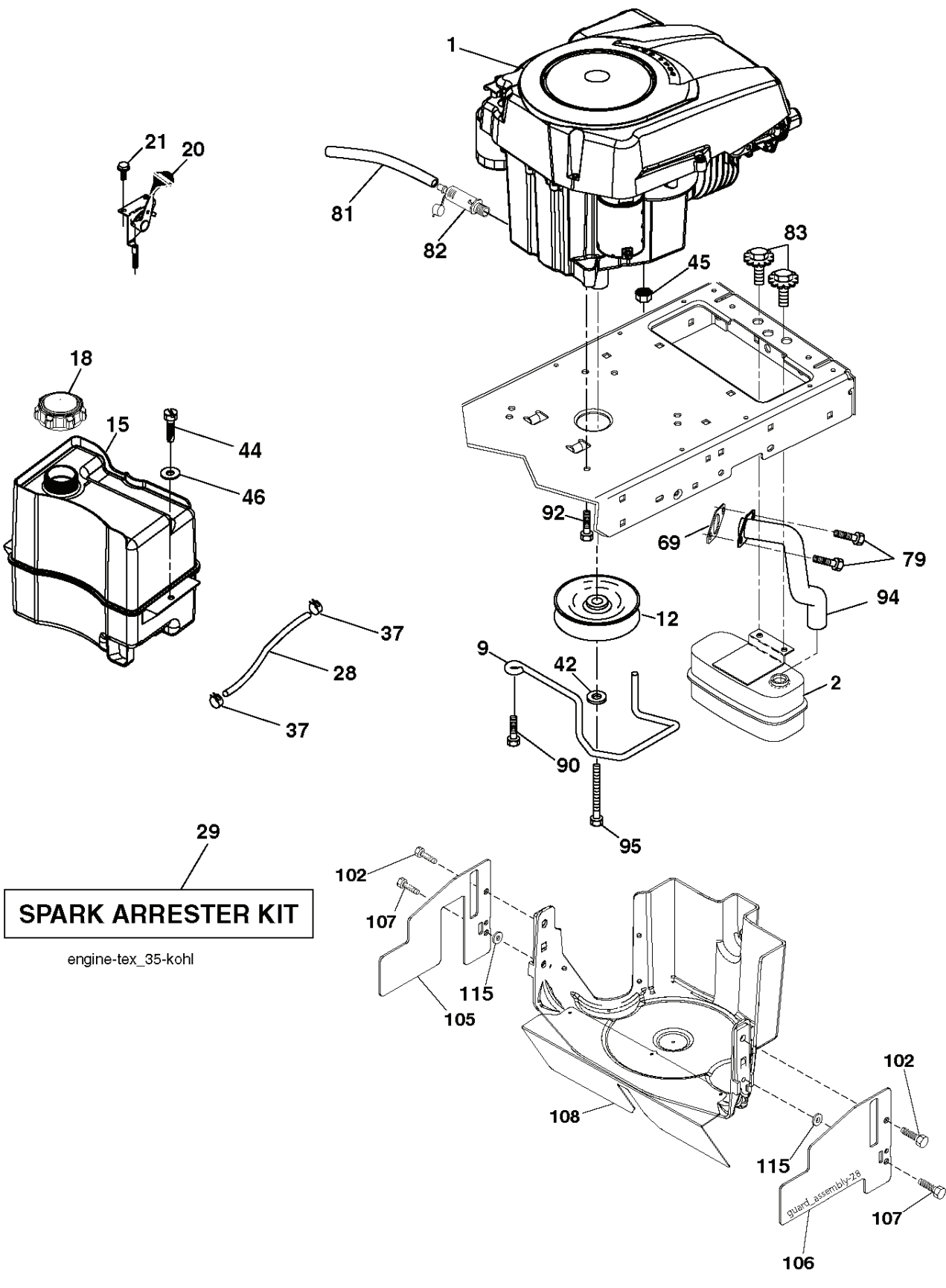
| REF. | PART NO.  | DESCRIPTION        | REMARK   | QTY. | KIT |
|------|-----------|--------------------|----------|------|-----|
| 1    |           |                    |          | 1    |     |
| 2    | 532123583 | KEY                |          | 1    |     |
| 15   | 819131316 | WASHER             |          | 1    |     |
| 17   | 532197296 | SPRING             |          | 1    |     |
| 22   | 532197660 | ROD                |          | 1    |     |
| 23   | 532121274 | KNOB               |          | 1    |     |
| 29   | 532408391 | ROD                |          | 1    |     |
| 33   | 812000001 | RETAINER RING      |          | 1    |     |
| 35   | 532401031 | ROD                |          | 1    |     |
| 37   | 532121749 | WASHER             |          | 1    |     |
| 42   | 532124872 | PEDAL RUBBER       |          | 1    |     |
| 49   | 872110614 | BOLT               |          | 1    |     |
| 50   | 532194327 | PULLEY             |          | 1    |     |
| 51   | 873900600 | NUT                |          | 1    |     |
| 52   | 532194326 | PULLEY             |          | 1    |     |
| 56   | 532125907 | BELT               |          | 1    |     |
| 64   | 532196200 | SHAFT              |          | 1    |     |
| 73   | 874490544 | SCREW              |          | 1    |     |
| 80   | 532408393 | STRAP.TORQUE.FS.T2 | *SUBS/2* | 1    |     |
| 99   | 532408418 | ROD                |          | 1    |     |
| 114  | 873800500 | LOCK NUT           |          | 1    |     |
| 116  | 873900500 | NUT                |          | 1    |     |
| 121  | 532175611 | CHAPPE DE FIXATION |          | 1    |     |
| 122  | 872010520 | BOLT               |          | 1    |     |
| 143  | 817490508 | SCREW              |          | 1    |     |
| 153  | 532124788 | RETAINER RING      |          | 1    |     |
| 159  | 876020412 | SPLIT PIN          |          | 1    |     |
| 160  | 532169484 | PIN                |          | 1    |     |
| 161  | 532105709 | SPRING             |          | 1    |     |
| 165  | 532196212 | BUSHING            |          | 1    |     |
| 166  | 532197290 | NUT                |          | 1    |     |
| 167  | 532405257 | LATCH              |          | 1    |     |
| 170  | 532413430 | BELT GUIDE         |          | 1    |     |
| 174  | 532197289 | NUT                |          | 1    |     |
| 175  | 532408539 | SHAFT              |          | 1    |     |
| 176  | 532196214 | ARM                |          | 1    |     |
| 178  | 532197456 | SPRING             |          | 1    |     |
| 183  | 532156972 | SPACER             |          | 1    |     |
| 184  | 532409747 | KNOB               |          | 1    |     |
| 185  | 872110622 | BOLT               |          | 1    |     |
| 186  | 532194321 | SPACER             |          | 1    |     |
| 187  | 819133210 | WASHER             |          | 1    |     |
| 188  | 532194323 | LINK               |          | 1    |     |
| 189  | 532194317 | PLATE              |          | 1    |     |
| 190  | 532194318 | BELT GUIDE         |          | 1    |     |
| 205  | 532121748 | WASHER             |          | 1    |     |
| 216  | 532196131 | BRACKET            |          | 1    |     |
| 221  | 532403187 | SPRING             |          | 1    |     |
| 231  | 532407287 | PULLEY             |          | 1    |     |
| 232  | 874780716 | BOLT               |          | 1    |     |
| 233  | 532405296 | WASHER             |          | 1    |     |
| 279  | 532408538 | LINK.SHIFT.T2.TEX  | *SUBS/2* | 1    |     |



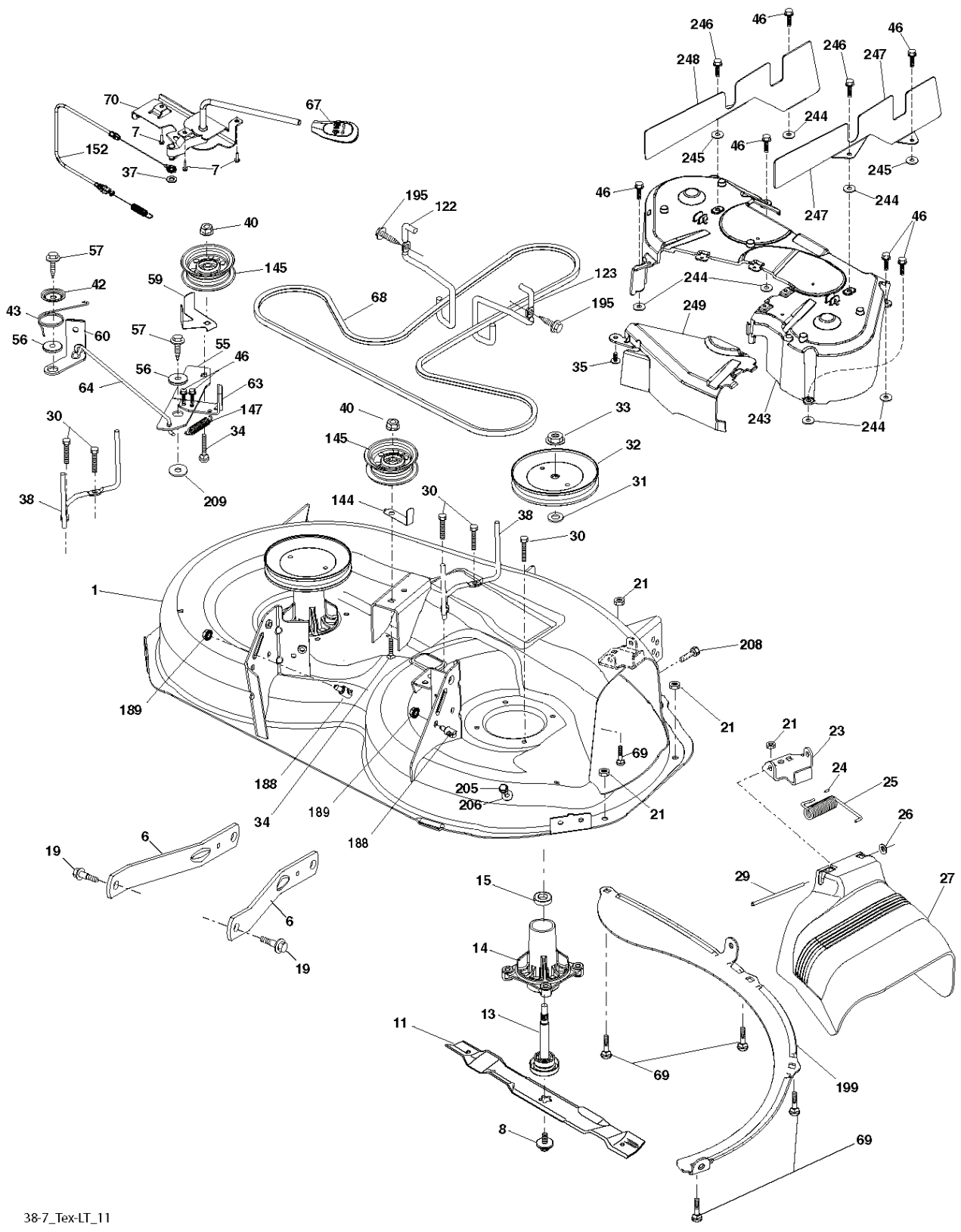
| REF. | PART NO.  | DESCRIPTION                    | REMARK | QTY. | KIT |
|------|-----------|--------------------------------|--------|------|-----|
| 1    | 532163465 | BATTERY                        |        | 1    |     |
| 2    | 874760412 | BOLT                           |        | 1    |     |
| 8    | 532193228 | BOX                            |        | 1    |     |
| 16   | 532176138 | MICRO SWITCH                   |        | 1    |     |
| 21   | 532400252 | HARNESS                        |        | 1    |     |
| 22   | 532004152 | BULB                           |        | 1    |     |
| 25   | 532412894 | CABLE.STARTER.GGA.BL/R*SUBS/2* |        | 1    |     |
| 26   | 532175158 | FUSE                           |        | 1    |     |
| 27   | 873510400 | NUT                            |        | 1    |     |
| 28   | 532198885 | CABLE                          |        | 1    |     |
| 29   | 532401545 | SWITCH                         |        | 1    |     |
| 30   | 532193350 | IGNITION MODULE                |        | 1    |     |
| 33   | 532411935 | KEY                            |        | 1    |     |
| 34   | 532110712 | SWITCH                         |        | 1    |     |
| 40   | 532401098 | CABLE                          |        | 1    |     |
| 41   | 817720408 | SCREW                          |        | 1    |     |
| 42   | 532131563 | COVER                          |        | 1    |     |
| 43   | 532192507 | SOLENOID                       |        | 1    |     |
| 55   | 817060512 | SCREW                          |        | 1    |     |
| 71   | 532400449 | CABLE                          |        | 1    |     |
| 79   | 532175242 | HOLDER                         |        | 1    |     |
| 87   | 532197802 | SWITCH                         |        | 1    |     |
| 90   | 532400725 | COVER                          |        | 1    |     |
| 92   | 532196615 | CABLE ASSY                     |        | 1    |     |
| 93   | 532192540 | SCREW                          |        | 1    |     |
| 94   | 532191834 | MODULE.REVERSE.ROS             |        | 1    |     |

**SPARK ARRESTER KIT**

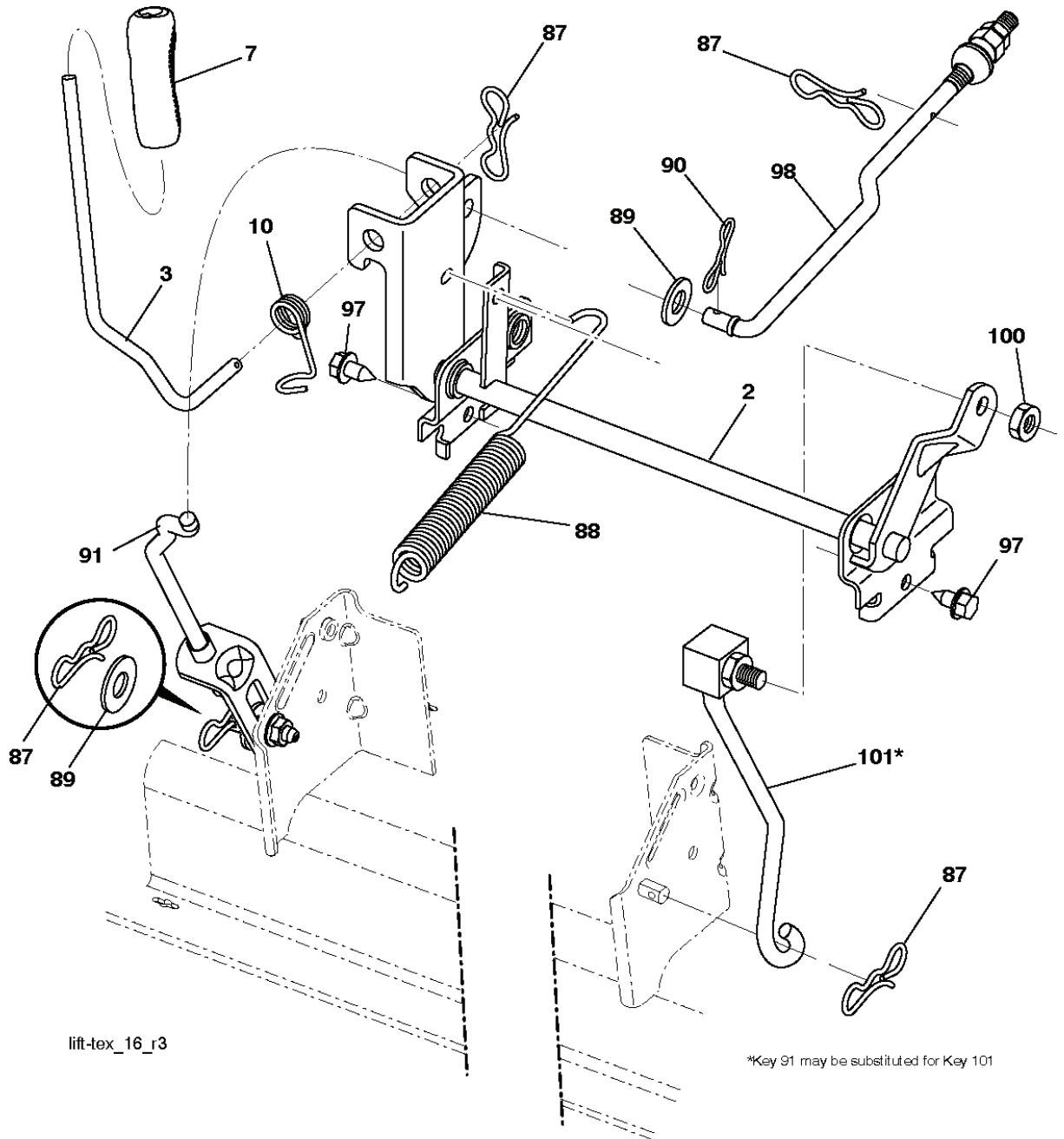
engine-tex\_35-kohl



| REF. | PART NO.  | DESCRIPTION        | REMARK | QTY. | KIT |
|------|-----------|--------------------|--------|------|-----|
| 1    |           |                    |        | 1    |     |
| 2    | 532188655 | MUFFLER            |        | 1    |     |
| 9    | 532194319 | BELT GUIDE         |        | 1    |     |
| 12   | 532401985 | PULLEY             |        | 1    |     |
| 15   | 532407545 | FUEL TANK          |        | 1    |     |
| 18   | 532197725 | PLUG               |        | 1    |     |
| 20   | 532183897 | CONTROL            |        | 1    |     |
| 21   | 532416358 | SCREW              |        | 1    |     |
| 28   | 532137040 | HOSE               |        | 1    |     |
| 29   | 532137180 | SPARK ARRESTER KIT |        | 1    |     |
| 37   | 532123487 | HOSE CLAMP         |        | 1    |     |
| 42   | 810040700 | WASHER             |        | 1    |     |
| 44   | 817670412 | SCREW              |        | 1    |     |
| 45   | 873510400 | NUT                |        | 1    |     |
| 46   | 819091416 | WASHER             |        | 1    |     |
| 69   | 532185909 | GASKET             |        | 1    |     |
| 79   | 532192334 | SCREW              |        | 1    |     |
| 81   | 532148456 | TUBE               |        | 1    |     |
| 82   | 532181654 | PLUG               |        | 1    |     |
| 83   | 532171877 | BOLT               |        | 1    |     |
| 90   | 817000616 | SCREW              |        | 1    |     |
| 92   | 817120616 | SCREW              |        | 1    |     |
| 94   | 532188654 | TUBE EXHAUST       |        | 1    |     |
| 95   | 532173937 | BOLT               |        | 1    |     |
| 102  | 817000512 | SCREW              |        | 1    |     |
| 105  | 532410528 | PROTECTION         |        | 1    |     |
| 106  | 532410529 | PROTECTION         |        | 1    |     |
| 107  | 532137729 | SCREW              |        | 1    |     |
| 108  | 532421794 | ENGINE COVER       |        | 1    |     |
| 115  | 532423062 | NUT                |        | 1    |     |



| REF. | PART NO.  | DESCRIPTION       | REMARK  | QTY. | KIT |
|------|-----------|-------------------|---|------|-----|
| 1    | 532194251 | HOUSING           |   | 1    |     |
| 6    | 532195186 | ARM               |   | 1    |     |
| 7    | 532416358 | SCREW             |   | 1    |     |
| 8    | 532193003 | SCREW             |   | 1    |     |
| 11   | 532193957 | RIDE ON BLADE     |   | 1    |     |
| 13   | 532192872 | SHAFT ASSY        |   | 1    |     |
| 14   | 532187281 | BEARING HOUSING   |   | 1    |     |
| 15   | 532110485 | BEARING           |   | 1    |     |
| 19   | 532196539 | BOLT              |   | 1    |     |
| 21   | 873680500 | NUT               |   | 1    |     |
| 23   | 532192557 | HINGE             |   | 1    |     |
| 24   | 532105304 | HUB CAP           |   | 1    |     |
| 25   | 532197026 | TORSION SPRING    |   | 1    |     |
| 26   | 532110452 | NUT               |   | 1    |     |
| 27   | 532401618 | DEFLECTOR         |   | 1    |     |
| 29   | 532131491 | SHAFT             |   | 1    |     |
| 30   | 532173984 | SCREW             |   | 1    |     |
| 31   | 532187690 | WASHER            |   | 1    |     |
| 32   | 532199789 | PULLEY            |   | 1    |     |
| 33   | 532400234 | NUT               |   | 1    |     |
| 34   | 872110612 | BOLT              |   | 1    |     |
| 35   | 532133835 | XMAS TREE FASTNER |   | 1    |     |
| 37   | 819131316 | WASHER            |   | 1    |     |
| 38   | 532199541 | BELT GUIDE        |   | 1    |     |
| 40   | 873900600 | NUT               |   | 1    |     |
| 42   | 532197256 | SPRING            |   | 1    |     |
| 43   | 532198410 | SPRING            |   | 1    |     |
| 46   | 532137729 | SCREW             |   | 1    |     |
| 55   | 532197249 | ARM               |   | 1    |     |
| 56   | 532199092 | SPACER            |   | 1    |     |
| 57   | 817000616 | SCREW             |   | 1    |     |
| 59   | 532141043 | GUARD             |   | 1    |     |
| 60   | 532199471 | ARM               |   | 1    |     |
| 63   | 532199470 | ARM               |   | 1    |     |
| 64   | 532199790 | LINK              |   | 1    |     |
| 67   | 532403012 | HANDLE            |   | 1    |     |
| 68   | 532408381 | BELT              |   | 1    |     |
| 69   | 872140505 | BOLT              |   | 1    |     |
| 70   | 532401246 | CLUTCH            |   | 1    |     |
| 122  | 532197258 | BELT GUIDE        |   | 1    |     |
| 123  | 532197259 | BELT GUIDE        |   | 1    |     |
| 144  | 532193414 | BELT GUIDE        |   | 1    |     |
| 145  | 532193197 | PULLEY            |   | 1    |     |
| 147  | 532401872 | SPRING            |   | 1    |     |
| 152  | 532408714 | CABLE             |   | 1    |     |
| 188  | 532195161 | STUD              |   | 1    |     |
| 189  | 873900500 | NUT               |   | 1    |     |
| 195  | 817000612 | SCREW             |   | 1    |     |
| 199  | 532400095 | BAFFLE            |   | 1    |     |
| 205  | 817490416 | SCREW             |   | 1    |     |
| 206  | 819091416 | WASHER            |   | 1    |     |
| 208  | 817670608 | SCREW             |   | 1    |     |
| 209  | 819133210 | WASHER            |   | 1    |     |
| 243  | 532406510 | COVER             |   | 1    |     |
| 244  | 532423062 | NUT               |   | 1    |     |
| 245  | 532423063 | WASHER            |   | 1    |     |
| 246  | 817670508 | SCREW             |   | 1    |     |
| 247  | 532421667 | SHIELD            |   | 1    |     |
| 248  | 532421666 | SHIELD            |   | 1    |     |
| 249  | 532406514 | COVER             |   | 1    |     |
| --   | 532192870 | SPINDLE           | Mandrel Assembly (Includes housing, shaft assembly, and bearing only - pulley/nut/washer and blade bolt/washers not included) | 1    |     |
| --   | 532408677 | DECK SHELL        |   | 1    |     |

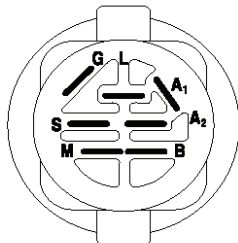
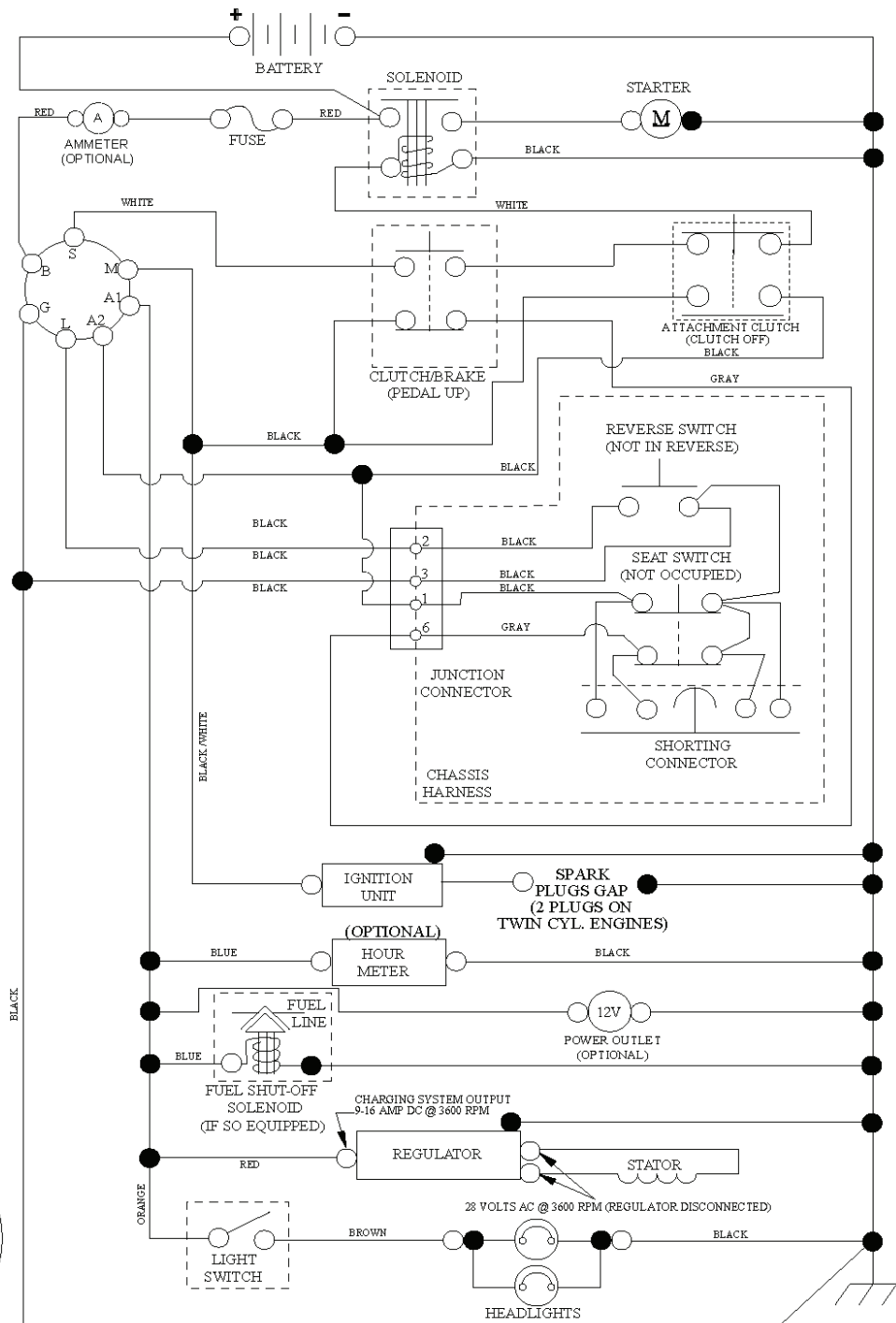


lift-tex\_16\_r3

\*Key 91 may be substituted for Key 101

---

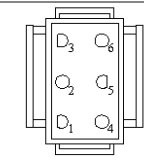
| REF. | PART NO.  | DESCRIPTION | REMARK | QTY. | KIT |
|------|-----------|-------------|--------|------|-----|
| 2    | 532195223 | SHAFT       |        | 1    |     |
| 3    | 532195231 | LEVER       |        | 1    |     |
| 7    | 532411555 | GRIP        |        | 1    |     |
| 10   | 532196314 | SPRING      |        | 1    |     |
| 87   | 532194209 | SPRING      |        | 1    |     |
| 88   | 532410710 | SPRING      |        | 1    |     |
| 89   | 819191912 | WASHER      |        | 1    |     |
| 90   | 532194208 | PIN         |        | 1    |     |
| 91   | 532195181 | LINK        |        | 1    |     |
| 97   | 817000612 | SCREW       |        | 1    |     |
| 98   | 532195270 | LINK        |        | 1    |     |
| 100  | 873930600 | NUT         |        | 1    |     |
| 101  | 532407003 | LINK        |        | 1    |     |



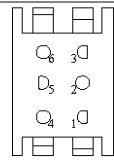
IGNITION SWITCH

| POSITION     | CIRCUIT    | "MAKE" |
|--------------|------------|--------|
| OFF          | M+G+A1     |        |
| RUN/OVERRIDE | B+A1       |        |
| RUN          | B+A1       | L+A2   |
| START        | B + S + A1 |        |

03107



CHASSIS HARNESS CONNECTOR (MATING SIDE)



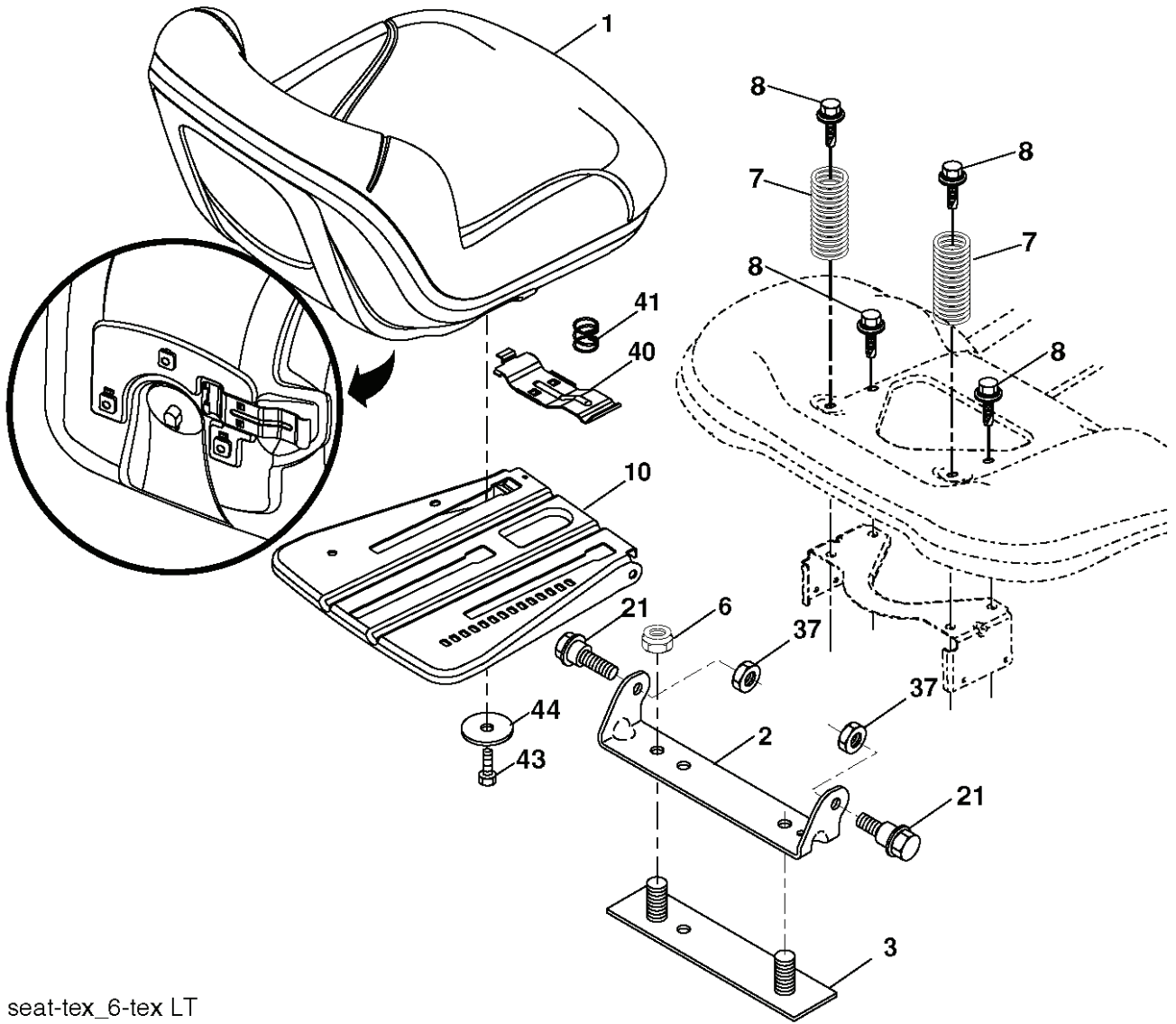
DASH HARNESS CONNECTOR (MATING SIDE)

WIRING INSULATED CLIPS  
NOTE: IF WIRING INSULATED CLIPS WERE REMOVED FOR SERVICING OF UNIT, THEY SHOULD BE RE-INSTALLED TO PROPERLY SECURE YOUR WIRING.

● NON-REMOVABLE CONNECTIONS

○ REMOVABLE CONNECTIONS

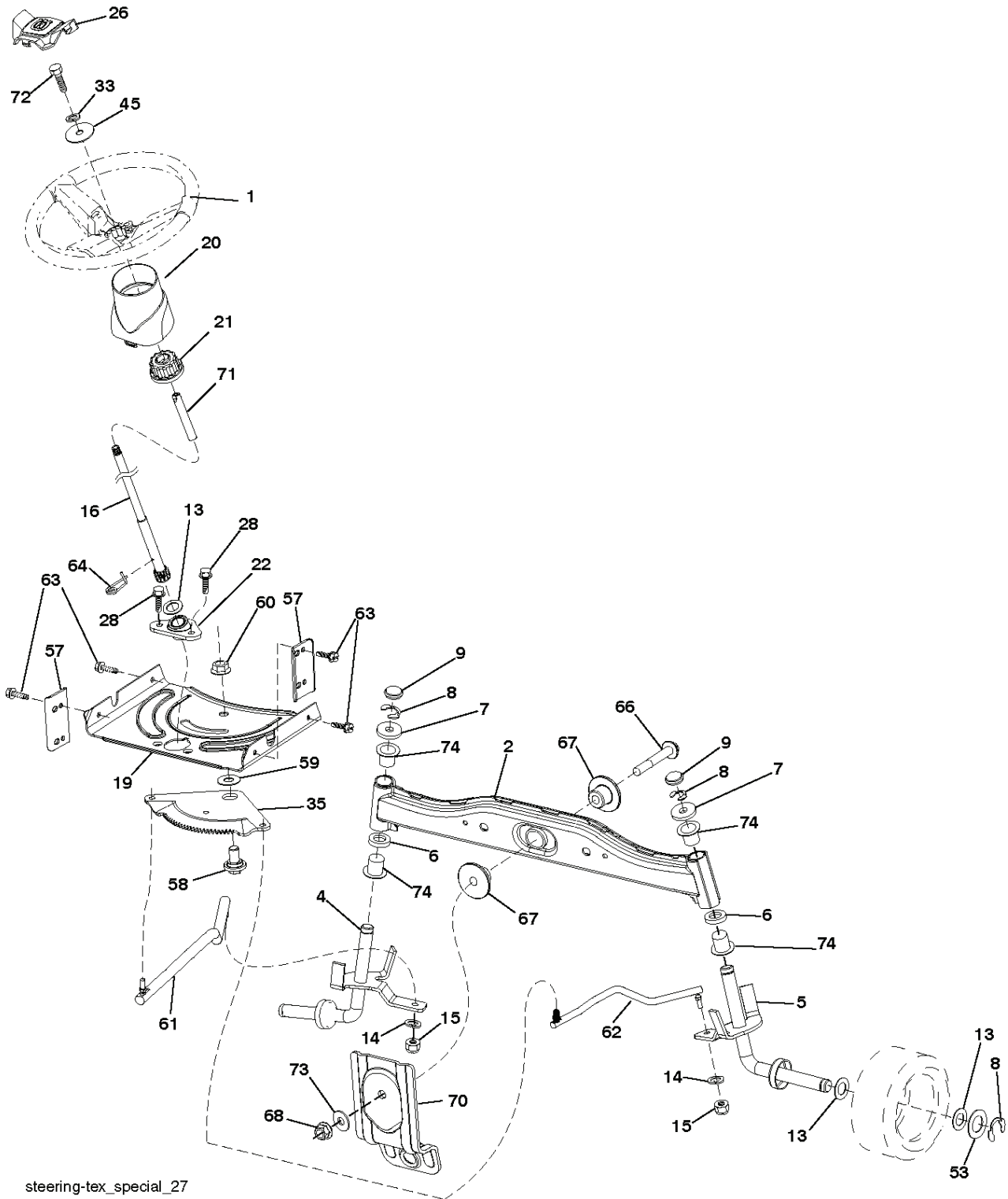




seat-tex\_6-tex LT

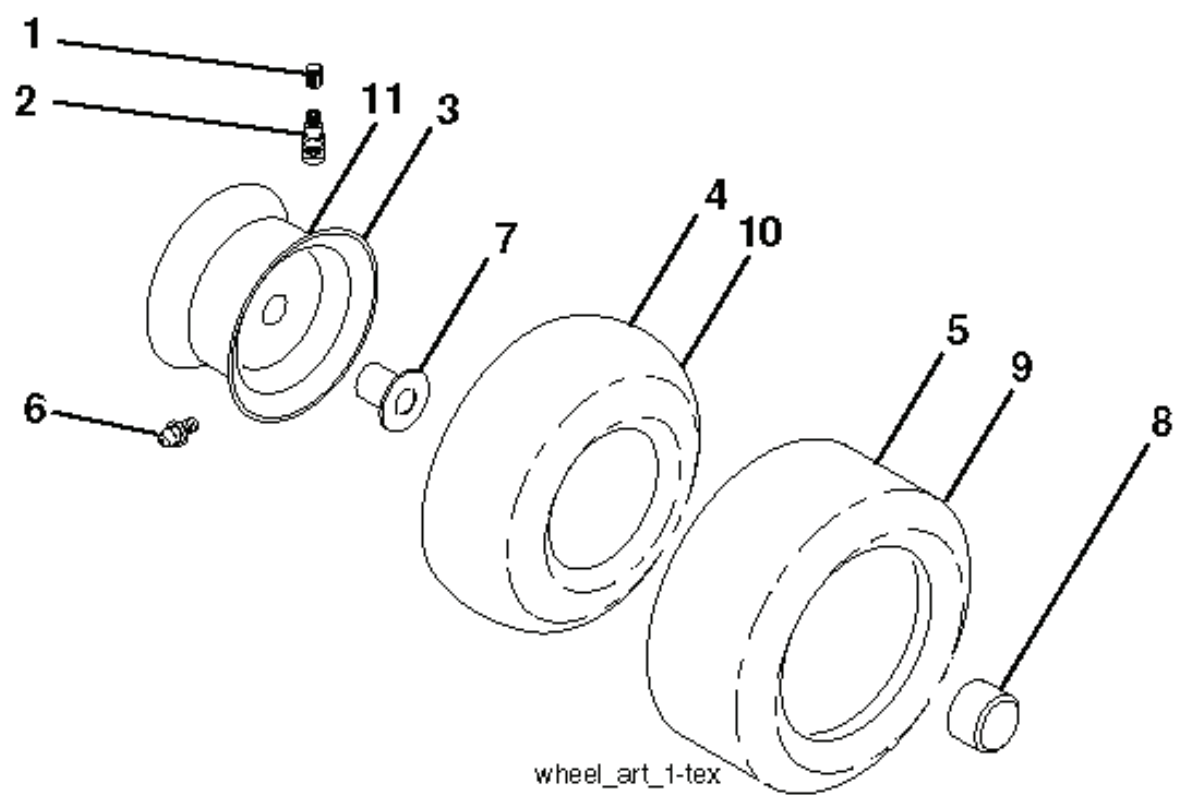
---

| REF. | PART NO.  | DESCRIPTION | REMARK | QTY. | KIT |
|------|-----------|-------------|--------|------|-----|
| 1    | 532197518 | SEAT        |        | 1    |     |
| 2    | 532180166 | BRACKET     |        | 1    |     |
| 3    | 532140675 | STRAP       |        | 1    |     |
| 6    | 873800600 | NUT         |        | 1    |     |
| 7    | 532124181 | SPRING      |        | 1    |     |
| 8    | 532171877 | BOLT        |        | 1    |     |
| 10   | 532196977 | PLATE       |        | 1    |     |
| 21   | 532171852 | BOLT        |        | 1    |     |
| 37   | 873800500 | LOCK NUT    |        | 1    |     |
| 40   | 532197661 | HANDLE      |        | 1    |     |
| 41   | 532198200 | SPRING      |        | 1    |     |
| 43   | 874760612 | BOLT        |        | 1    |     |
| 44   | 819133812 | WASHER      |        | 1    |     |



steering-tex\_special\_27

| REF. | PART NO.  | DESCRIPTION          | REMARK | QTY. | KIT |
|------|-----------|----------------------|--------|------|-----|
| 1    | 532416480 | STEERING WHEEL       |        | 1    |     |
| 2    | 532418168 | AXLE                 |        | 1    |     |
| 4    | 532403087 | SPINDLE              |        | 1    |     |
| 5    | 532403088 | SPINDLE              |        | 1    |     |
| 6    | 532124931 | WASHER               |        | 1    |     |
| 7    | 532121748 | WASHER               |        | 1    |     |
| 8    | 812000029 | RETAINER RING        |        | 1    |     |
| 9    | 532121232 | HUB CAP              |        | 1    |     |
| 13   | 532121749 | WASHER               |        | 1    |     |
| 14   | 810040600 | WASHER               |        | 1    |     |
| 15   | 873540600 | NUT                  |        | 1    |     |
| 16   | 532196074 | SHAFT                |        | 1    |     |
| 19   | 532194729 | PLATE                |        | 1    |     |
| 20   | 532411139 | STEERING COLUMN TUBE |        | 1    |     |
| 21   | 532186737 | ADAPTER              |        | 1    |     |
| 22   | 532194845 | BUSHING              |        | 1    |     |
| 26   | 532415987 | KNOB                 |        | 1    |     |
| 28   | 817000612 | SCREW                |        | 1    |     |
| 33   | 810040500 | WASHER               |        | 1    |     |
| 35   | 532194732 | PLATE                |        | 1    |     |
| 45   | 819113812 | WASHER               |        | 1    |     |
| 53   | 532188967 | WASHER               |        | 1    |     |
| 57   | 532407465 | BRACKET              |        | 1    |     |
| 58   | 532194747 | BOLT                 |        | 1    |     |
| 59   | 532194748 | WASHER               |        | 1    |     |
| 60   | 873971000 | NUT                  |        | 1    |     |
| 61   | 532194740 | LINK                 |        | 1    |     |
| 62   | 532194741 | LINK                 |        | 1    |     |
| 63   | 817000512 | SCREW                |        | 1    |     |
| 64   | 532199849 | SPRING RETAINER      |        | 1    |     |
| 66   | 871020748 | BOLT                 |        | 1    |     |
| 67   | 532194737 | BUSHING              |        | 1    |     |
| 68   | 873900700 | NUT                  |        | 1    |     |
| 70   | 532196197 | BRACKET              |        | 1    |     |
| 71   | 532196075 | SHAFT                |        | 1    |     |
| 72   | 874780572 | BOLT                 |        | 1    |     |
| 73   | 532199162 | WASHER               |        | 1    |     |
| 74   | 532124937 | BEARING COL. STRG.   |        | 1    |     |



wheel\_art\_1-tex

| REF. | PART NO.  | DESCRIPTION  | REMARK | QTY. | KIT |
|------|-----------|--------------|--------|------|-----|
| 1    | 532059192 | CAP VALVE    |        | 1    |     |
| 2    | 532065139 | NIPPLE       |        | 1    |     |
| 3    | 532138336 | RIM          |        | 1    |     |
| 4    | 532059904 | HOSE         |        | 1    |     |
| 5    | 532106222 | TIRE         |        | 1    |     |
| 6    | 532124957 | FITTING      |        | 1    |     |
| 7    | 532124959 | BEARING      |        | 1    |     |
| 8    | 532175039 | HUB CAP      |        | 1    |     |
| 9    | 532420531 | TIRE         |        | 1    |     |
| 10   | 532124926 | HOSE         |        | 1    |     |
| 11   | 532138337 | RIM SPROCKET |        | 1    |     |
| --   | 532144334 | SEALING FOAM |        | 1    |     |
|      | PART NO.  |              | REMARK |      | KIT |