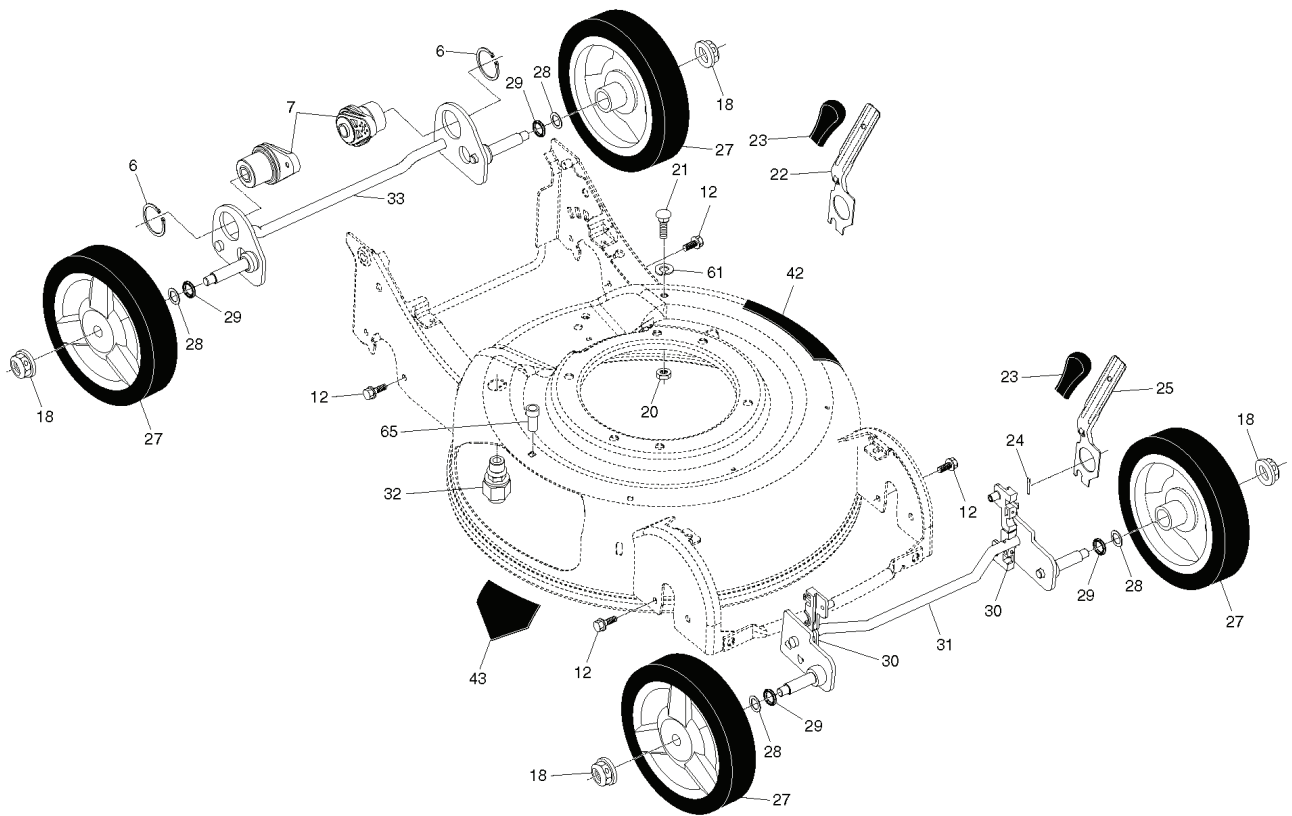
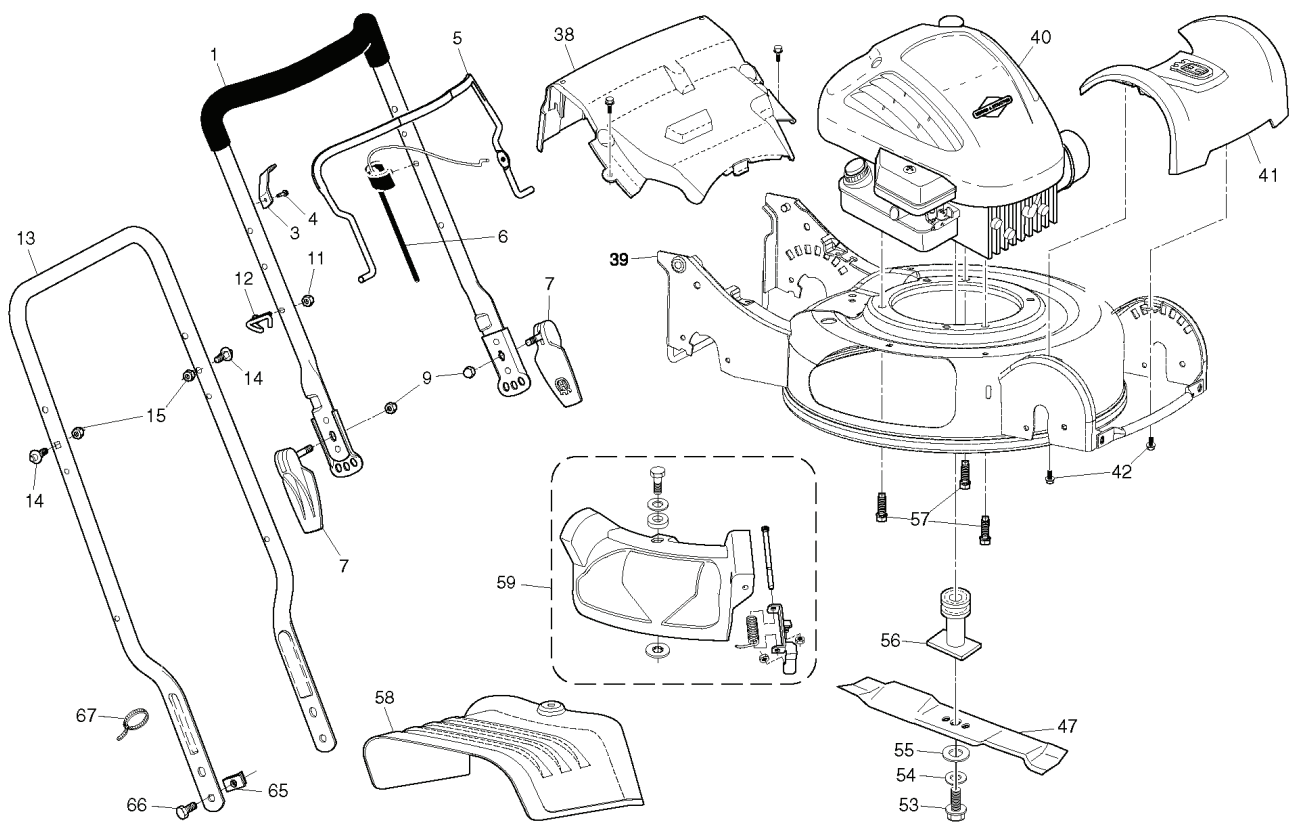


M145, 96131002702, 2010-01

SPARE PARTS LIST



REF.	PART NO.	DESCRIPTION	REMARK	QTY.	KIT
6	812000012	RETAINER RING		1	
7	532199245	AXLE		1	
12	532163409	SCREW		1	
18	532409148	NUT		1	
20	532400100	NUT		1	
21	872110407	BOLT		1	
22	532413519	LEVER		1	
23	532167653	KNOB		1	
24	532169675	PIN		1	
25	532413582	LEVER		1	
27	532410831	WHEEL		1	
28	532088348	WASHER		1	
29	532197480	O-RING		1	
30	532413520	BEARING		1	
31	532413580	AXLE		1	
32	532400094	CONNECTION		1	
33	532413727	AXLE		1	
42	532199912	DECAL		1	
43	532182166	DECAL		1	
61	532850263	WASHER		1	
62	532432234	NUT		1	



REF.	PART NO.	DESCRIPTION	REMARK	QTY.	KIT
1	532400604	HANDLE		1	
3	532430034	BRACKET		1	
4	532750634	SCREW		1	
5	532426812	BAR		1	
6	532408047	CABLE		1	
7	532430679	KNOB		1	
9	532400413	NUT		1	
11	532132004	NUT		1	
12	532194788	GUIDE		1	
13	532413535	HANDLE		1	
14	532199255	PEN		1	
15	532751153	NUT		1	
38	532432680	COVER		1	
39	532433405	HOUSING		1	
40	000000000	W/O DESCRIPTION	B&S 10T802-1228-EA	1	
41	532413581	FRONT COVER		1	
42	532194189	SCREW		1	
47	532199222	BLADE		1	
53	532191760	SCREW		1	
54	532850263	WASHER		1	
55	532851074	WASHER		1	
56	532407138	ADAPTER		1	
57	532150406	BOLT		1	
58	532433419	DEFLECTOR		1	
59	532433406	DOOR ASY		1	
65	532404008	NUT		1	
66	532850999	BOLT		1	
67	532066426	HOOP		1	