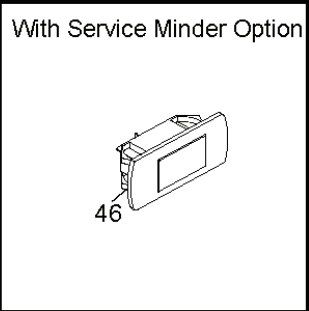
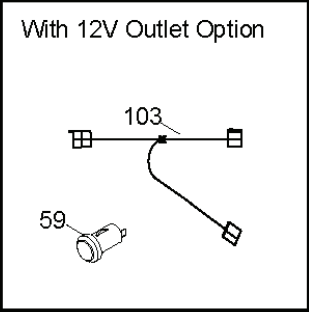
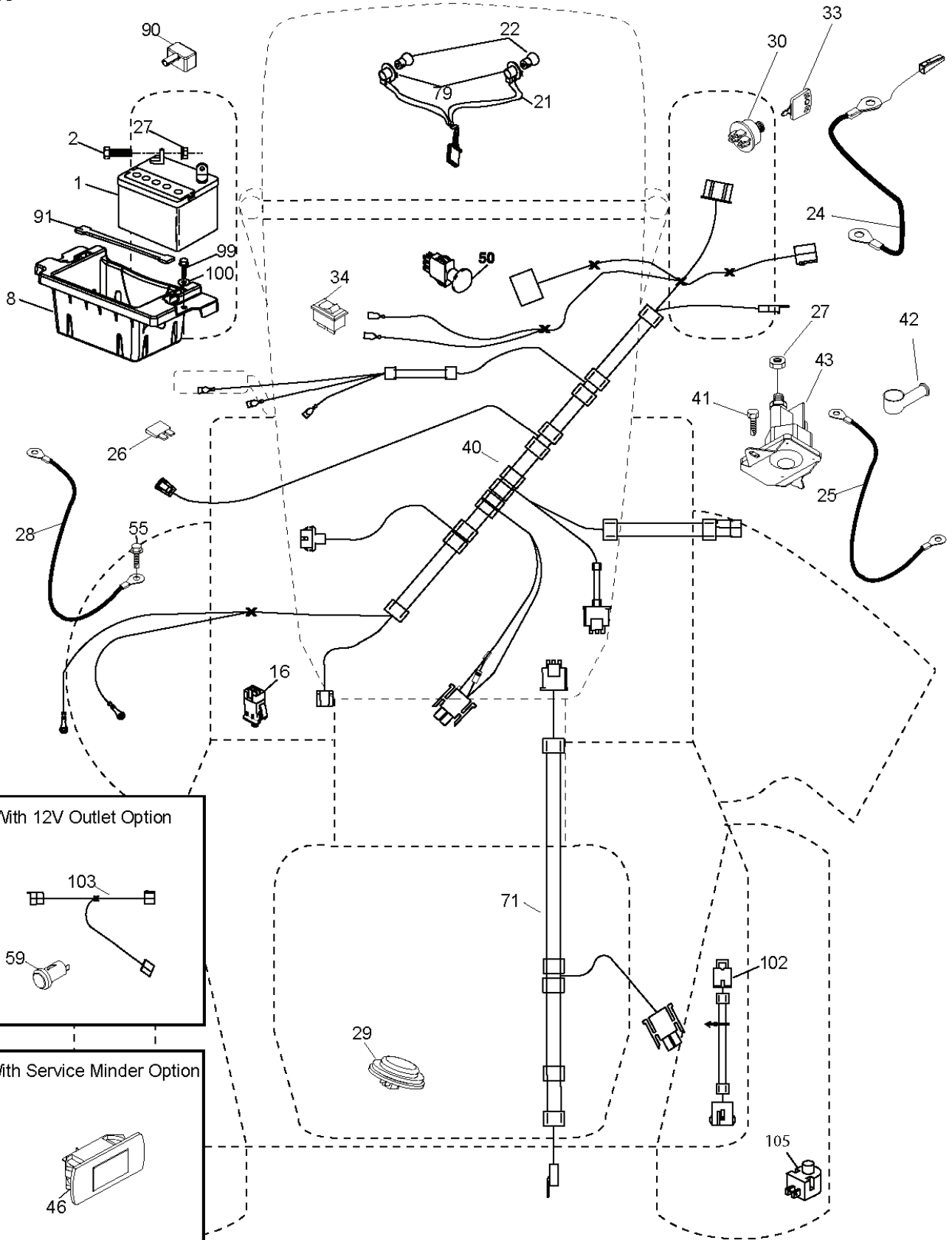


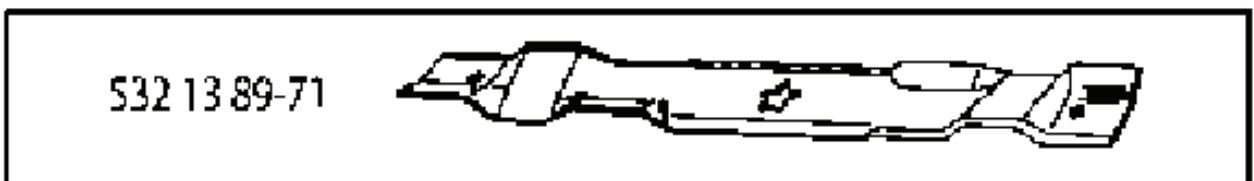
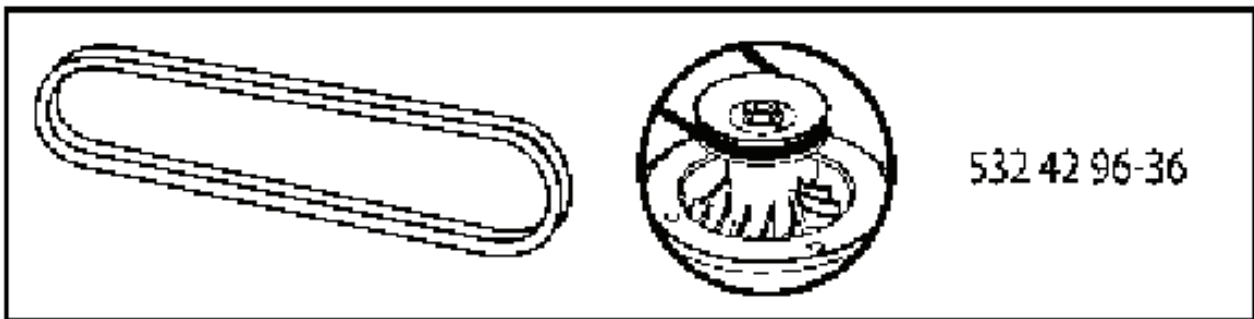
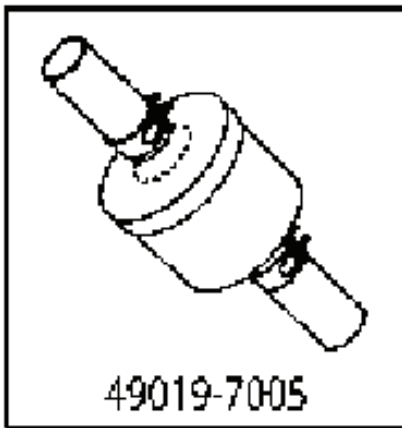
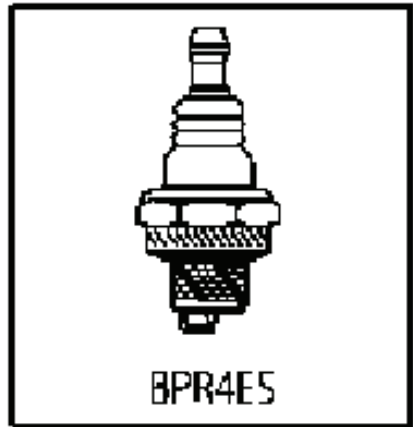
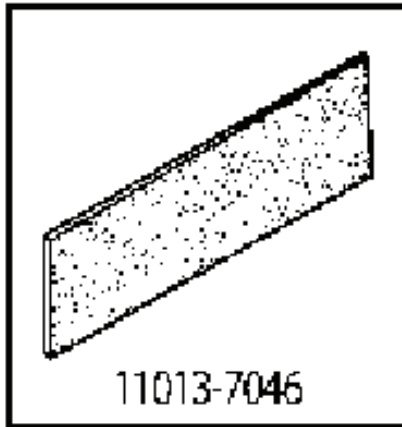
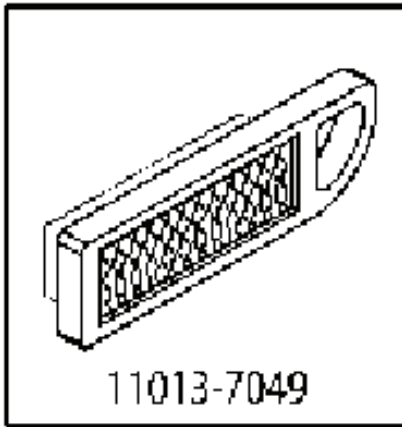
YTH183 T, 96041019500, 2010-10

SPARE PARTS LIST

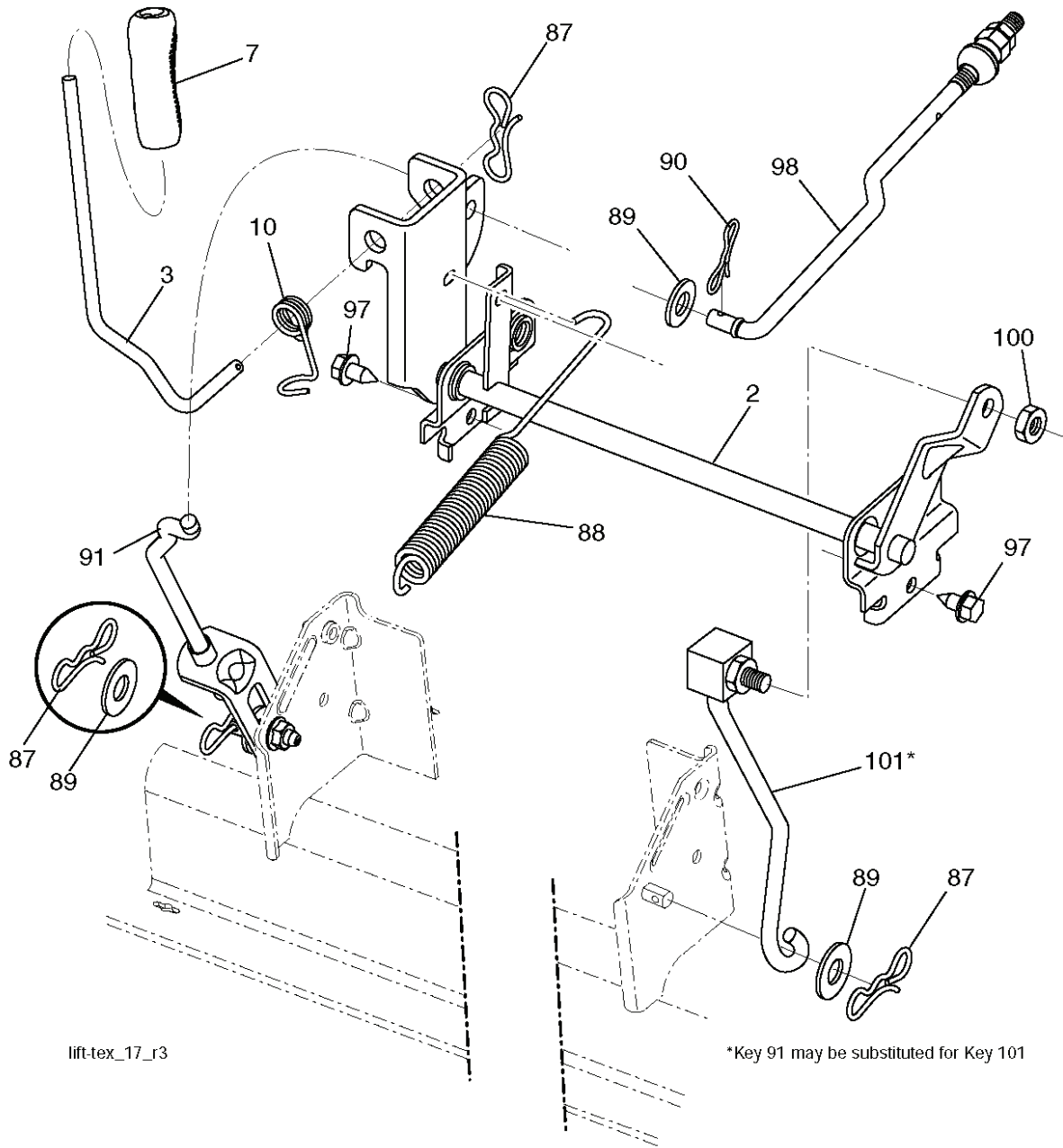
T11S



REF.	PART NO.	DESCRIPTION	REMARK	QTY.	KIT
1	532163465	BATTERY		1	
2	874760412	BOLT		1	
8	532186491	BOX		1	
16	532176138	MICRO SWITCH		1	
21	532400252	HARNESS		1	
22	532004152	BULB		1	
24	532400253	CABLE		1	
25	532412895	CABLE.STARTER.6G.BL/RE*SUBS/2*		1	
26	532175158	FUSE		1	
27	873510400	NUT		1	
28	532145491	CABLE		1	
29	532401545	SWITCH		1	
30	532193350	IGNITION MODULE		1	
33	532411935	KEY		1	
34	532110712	SWITCH		1	
40	532194276	CABLE ASSY		1	
41	817720408	SCREW		1	
42	532131563	COVER		1	
43	532192507	SOLENOID		1	
46	532401763	DISPLAY		1	
50	532174651	SWITCH		1	
55	817060512	SCREW		1	
71	532401104	CABLE ASSY		1	
79	532175242	HOLDER		1	
90	532435395	TERMINAL COVER		1	
91	532190270	STRAP BATTERY MOUNT FRO		1	
99	817670412	SCREW		1	
100	819091416	WASHER		1	
102	532407568	SWITCH		1	
105	532404454	CABLE		1	

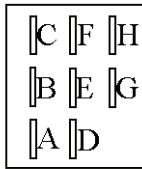
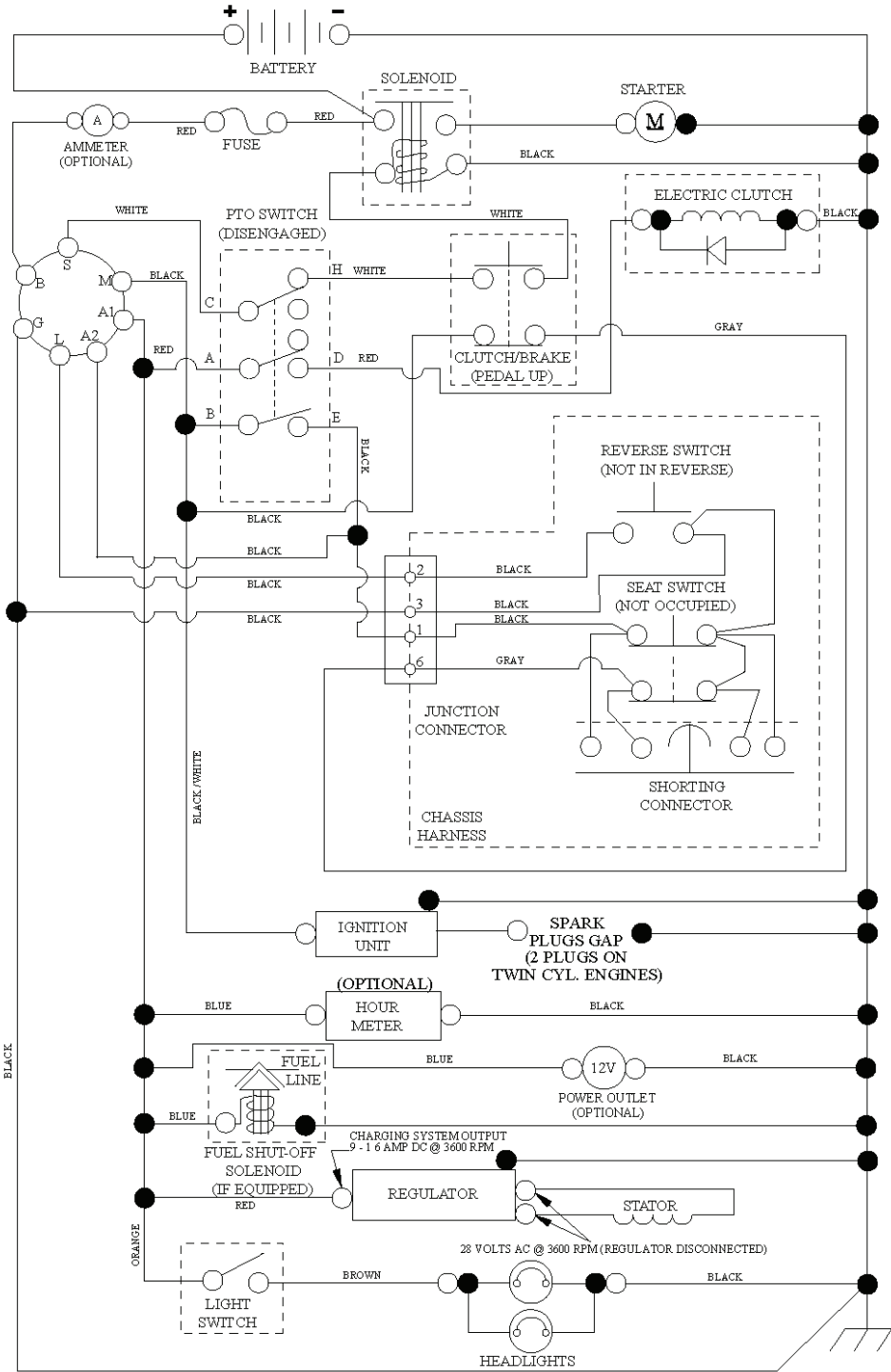


REF.	PART NO.	DESCRIPTION	REMARK	QTY.	KIT
110137046	581991001	AIR FILTER		1	
BPR4ES	535414464	SPARK PLUG		1	
490657007	578159201	OIL FILTER		1	
532130969	532130969	BELT		1	
532429636	532429636	BELT		1	
532138971	532138971	BLADE		1	

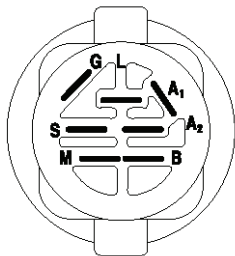


lift-tex_17_r3

REF.	PART NO.	DESCRIPTION	REMARK	QTY.	KIT
2	532422027	SHAFT		1	
3	532195230	LEVER		1	
7	532411555	GRIP		1	
10	532196314	SPRING		1	
87	532194209	SPRING		1	
88	532410710	SPRING		1	
89	819191912	WASHER		1	
90	532194208	PIN		1	
91	532195181	LINK		1	
97	817000612	SCREW		1	
98	532195270	LINK		1	
100	873930600	NUT		1	
101	532407003	LINK		1	

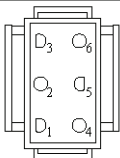


PTO SWITCH
(MATING SIDE)

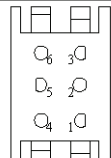


IGNITION SWITCH

POSITION	CIRCUIT "MAKE"
OFF	M+G+A1
RUN/OVERRIDE	B+A1
RUN	B+A1 L+A2
START	B+S+A1



CHASSIS HARNESS
CONNECTOR
(MATING SIDE)



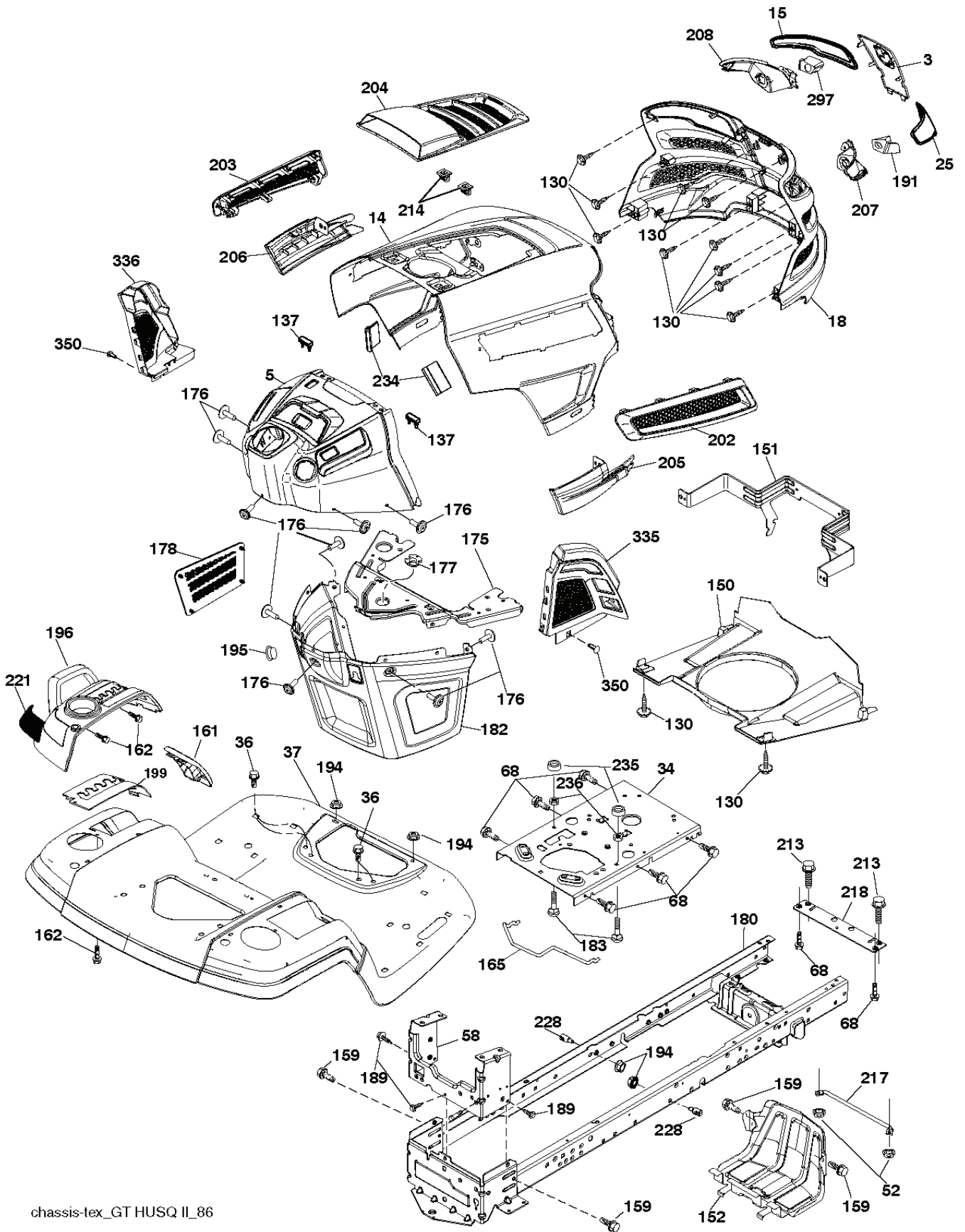
DASH HARNESS
CONNECTOR

WIRING INSULATED CLIPS
NOTE: IF WIRING INSULATED
CLIPS WERE REMOVED FOR
SERVICING OF UNIT, THEY
SHOULD BE RE-INSTALLED TO
PROPERLY SECURE YOUR
WIRING.

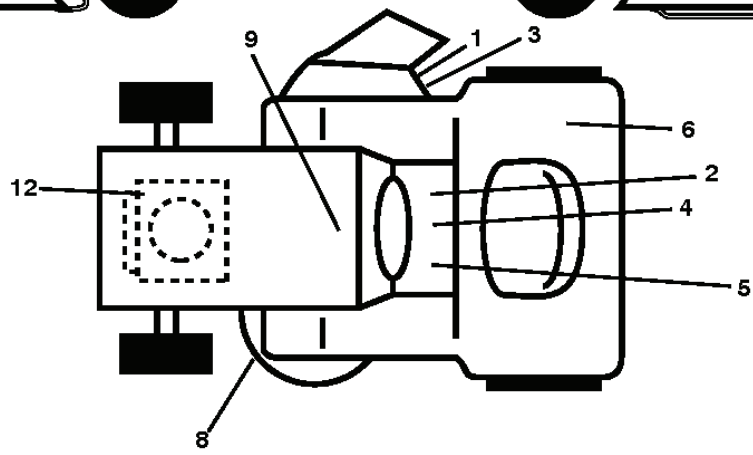
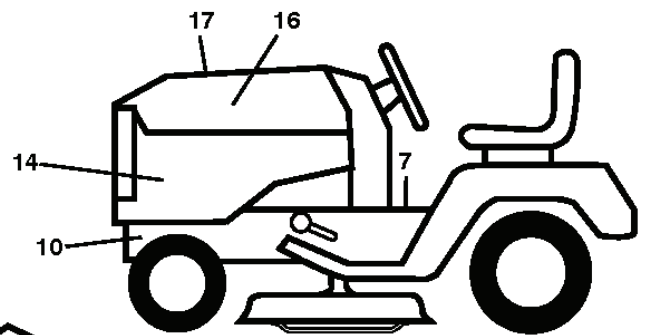
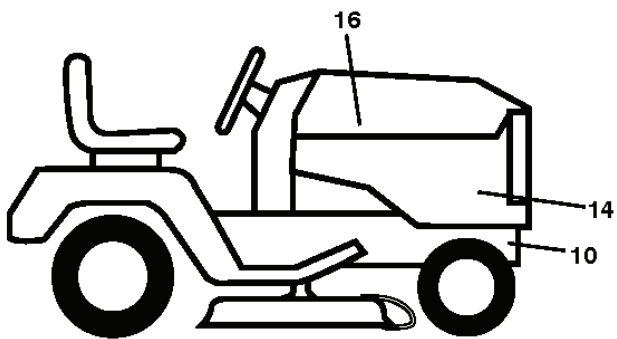
●
NON-REMOVABLE
CONNECTIONS

○
REMOVABLE
CONNECTIONS

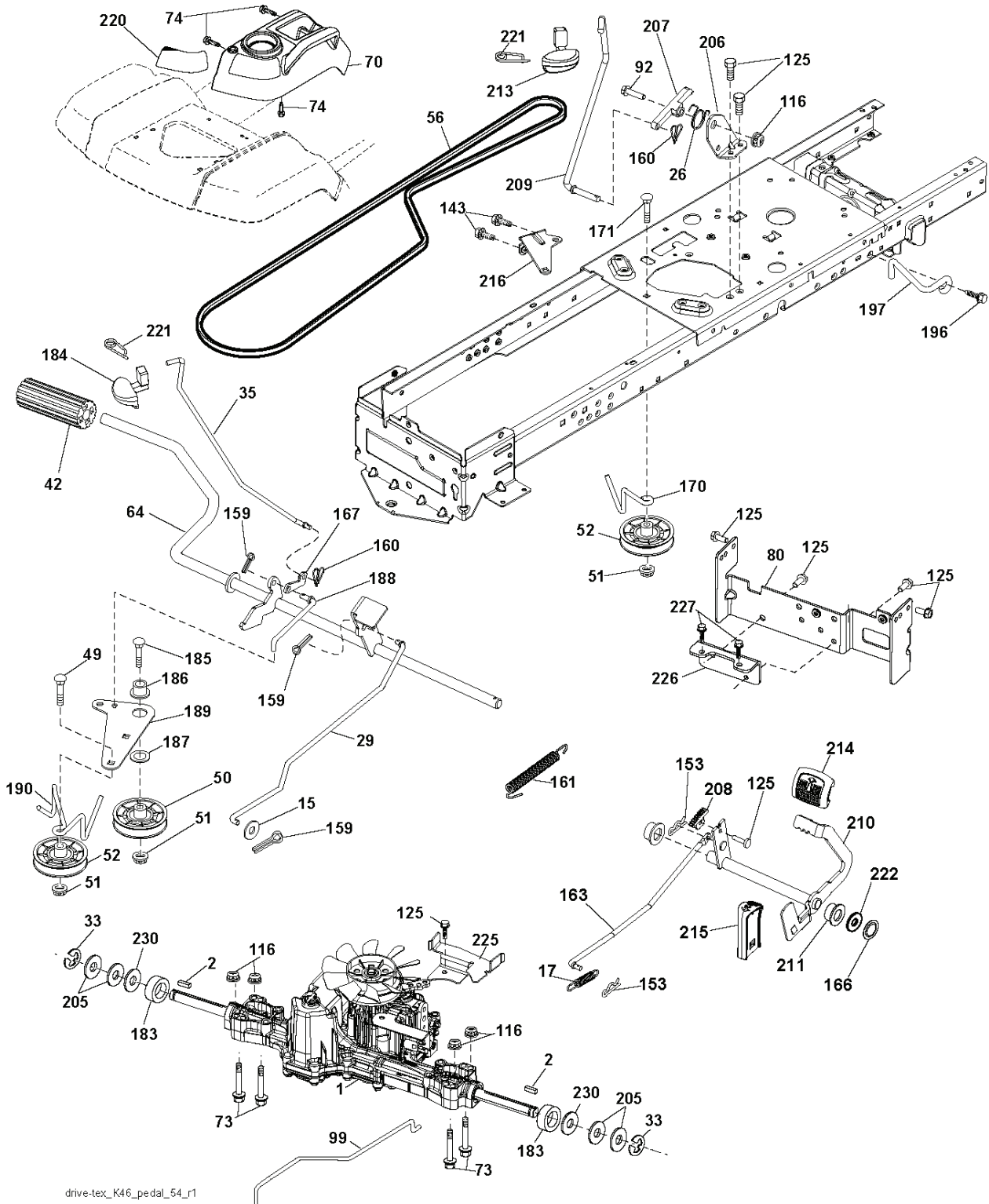
REF.	PART NO.	DESCRIPTION	REMARK	QTY.	KIT
1	532439740	STEERING WHEEL		1	
2	532413591	LINK ARM		1	
4	532403087	SPINDLE		1	
5	532403088	SPINDLE		1	
6	532124931	WASHER		1	
7	532121748	WASHER		1	
8	812000029	RETAINER RING		1	
9	532121232	HUB CAP		1	
13	532121749	WASHER		1	
14	810040600	WASHER		1	
15	873540600	NUT		1	
16	532194746	SHAFT		1	
19	532194729	PLATE		1	
21	532186737	ADAPTER		1	
22	532420537	SUPPORT		1	
26	532439743	HUB CAP		1	
28	817000612	SCREW		1	
35	532194732	PLATE		1	
45	819183812	WASHER		1	
51	873940800	NUT		1	
53	532188967	WASHER		1	
57	532407465	BRACKET		1	
58	532194747	BOLT		1	
59	532194748	WASHER		1	
60	873971000	NUT		1	
61	532194740	LINK		1	
62	532194741	LINK		1	
63	817000512	SCREW		1	
64	532199849	SPRING RETAINER		1	
66	871020748	BOLT		1	
67	532194737	BUSHING		1	
68	873900700	NUT		1	
69	532199162	WASHER		1	
70	532196197	BRACKET		1	
118	532406013	BEARING		1	



REF.	PART NO.	DESCRIPTION	REMARK	QTY.	KIT
3	532439752	LOGOTYPE		1	
5	532437472	DASH		1	
14	532441177	HOOD		1	
15	532439733	LENS		1	
18	532437762	GRILLE		1	
25	532439732	LENS		1	
34	532196125	PLATE		1	
36	817060512	SCREW		1	
37	532401825	FENDER		1	
52	873680500	NUT		1	
58	532412281	PLATE		1	
68	817490508	SCREW		1	
130	532416358	SCREW		1	
137	532407590	DAMPING PIECE		1	
150	532439731	AIR DUCT		1	
151	532436670	BRACKET		1	
152	532439870	SHIELD		1	
159	817000612	SCREW		1	
161	532439929	CONSOLE		1	
162	532142432	SCREW		1	
165	532196826	BRACKET		1	
175	532196304	SUPPORT		1	
176	532400776	SCREW		1	
177	532195227	BUSHING		1	
178	532199782	NET		1	
180	532415064	FRAME		1	
182	532406859	DASH		1	
183	874520520	BOLT		1	
189	817000512	SCREW		1	
191	532437455	INSERT		1	
194	873900500	NUT		1	
195	532404137	TROU*RPL,PAR 532401556428		1	
196	532400299	CONSOLE		1	
199	532198259	PLATE		1	
202	532439728	COVER		1	
203	532439727	COVER		1	
204	532435714	COVER		1	
205	532439730	SKIRT		1	
206	532439729	SKIRT		1	
207	532439734	CUP		1	
208	532439735	CUP		1	
213	874760512	BOLT		1	
214	532199145	CLIP		1	
217	532409167	ROD		1	
218	532196395	PLATE		1	
221	532198909	LENS		1	
228	532195161	STUD		1	
234	532404742	DAMPING PIECE		1	
235	532406129	SPACER		1	
236	873930500	NUT		1	
297	532437456	INSERT		1	
335	532448204	COVER		1	
336	532439846	COVER		1	
350	532445143	CLIP		1	

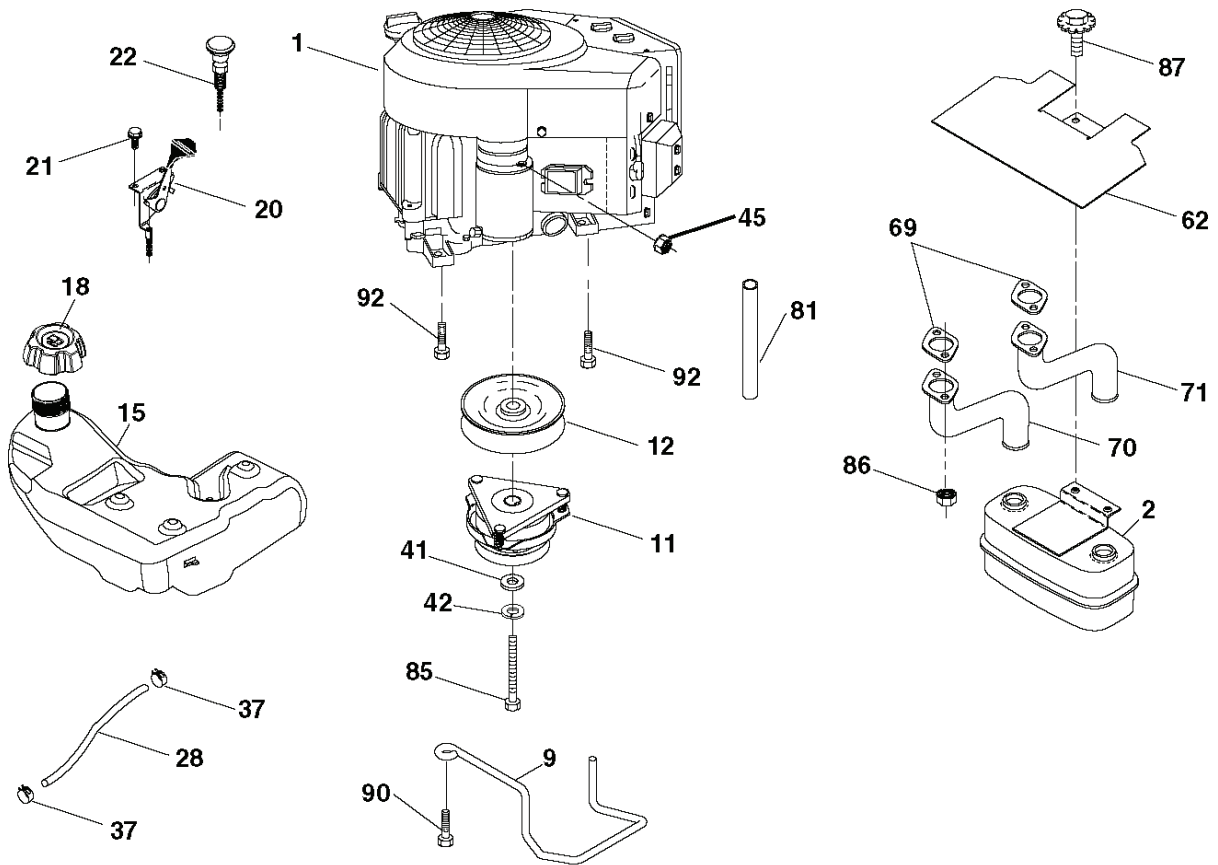


REF.	PART NO.	DESCRIPTION	REMARK	QTY.	KIT
1	532182166	DECAL		1	
2	532178302	DECAL		1	
3	532196357	DECALC:"DANGER DEFLECTEUR"		1	
4	532140837	DECAL		1	
5	532400389	LABEL		1	
6	532180432	DECAL		1	
7	532159737	DECAL		1	
8	532160396	DECAL		1	
9	532145005	DECAL		1	
10	532159736	DECAL		1	
12	532196841	DECAL		1	
14	532439269	DECAL		1	
16	581627301	DECAL		1	
17	532437964	DECAL		1	
--	532166960	DECAL		1	
--	532162598	DECAL		1	
--	532439882	PAD		1	
--	532439881	PAD		1	



drive-tex_K46_pedal_54_r1

REF.	PART NO.	DESCRIPTION	REMARK	QTY.	KIT
1	000000000	W/O DESCRIPTION	TRANSAXLE TUFFTORQ K46 BT (426120)	1	
2	532123583	KEY		1	
15	819131316	WASHER		1	
17	532413678	SRPING.BRAKE.K46.GREEN*SUBS/2*		1	
26	532199679	SPRING		1	
29	532403806	ROD		1	
33	812000001	RETAINER RING		1	
35	583864501	ROD		1	
42	532124872	PEDAL RUBBER		1	
49	872110614	BOLT		1	
50	532194327	PULLEY		1	
51	873900600	NUT		1	
52	532194326	PULLEY		1	
56	532130969	BELT		1	
64	532197865	SHAFT		1	
70	532439661	CONSOLE		1	
73	874490540	BOLT		1	
74	532142432	SCREW		1	
80	532410024	STRAP TORQUE		1	
92	874760520	BOLT		1	
99	532415742	ROD		1	
116	873900500	NUT		1	
125	817000512	SCREW		1	
143	817490508	SCREW		1	
153	532124788	RETAINER RING		1	
159	876020412	SPLIT PIN		1	
160	532169484	PIN		1	
161	532105709	SPRING		1	
163	532448275	CONTROL		1	
166	532429164	NUT		1	
167	532405257	LATCH		1	
170	532194322	KEEPER		1	
171	872110616	BOLT		1	
183	532137057	SPACER		1	
184	532403118	CONTROL		1	
185	872110622	BOLT		1	
186	532194321	SPACER		1	
187	819133210	WASHER		1	
188	532194323	LINK		1	
189	532194317	PLATE		1	
190	532194318	BELT GUIDE		1	
196	817000616	SCREW		1	
197	532195804	BRACKET		1	
205	532121748	WASHER		1	
206	532197867	BRACKET		1	
207	532197868	LATCH		1	
208	532197869	SUPPORT		1	
209	532199592	ROD		1	
210	532197860	ARM		1	
211	532120183	BEARING		1	
213	532403119	CONTROL		1	
214	532421263	PAD		1	
215	532401723	PEDAL		1	
216	532196131	BRACKET		1	
220	532198908	LENS		1	
221	532403187	SPRING		1	
222	879212010	WASHER		1	
225	532403319	BELT GUIDE		1	
226	532401564	BRACKET		1	
227	817490512	SCREW		1	
230	532188967	WASHER		1	

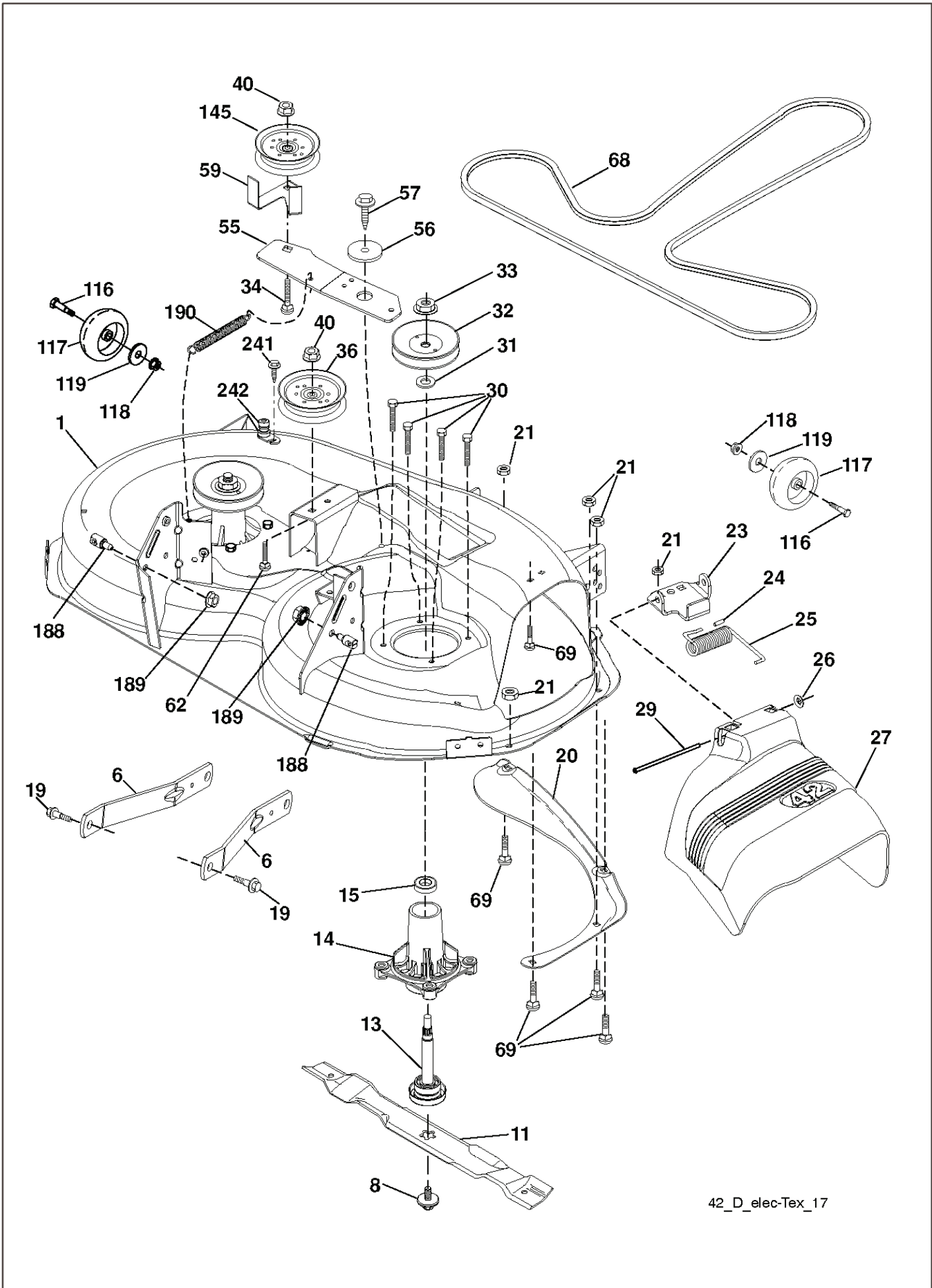


29

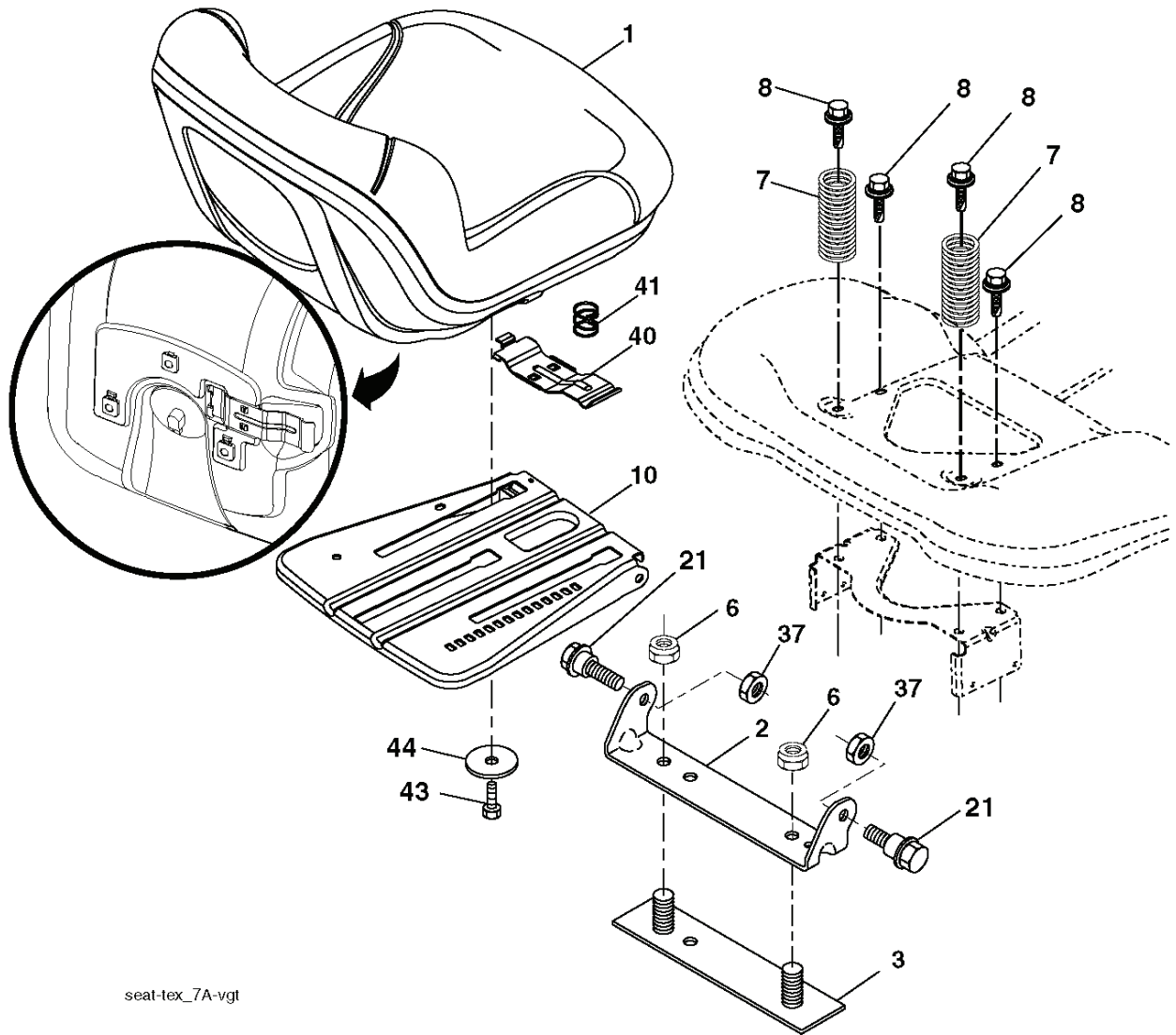
SPARK ARRESTER KIT

engine-tex_7-kawa_r1

REF.	PART NO.	DESCRIPTION	REMARK	QTY.	KIT
1	000000000	W/O DESCRIPTION	ENGINE KAWA MODEL NO. FS541V-AS51 (437950)	1	
2	532149723	MUFFLER		1	
9	532194320	BELT GUIDE		1	
11	532180505	CLUTCH		1	
12	532405097	PULLEY		1	
15	532193499	FUEL TANK		1	
18	532439645	FUEL CAP		1	
20	532178385	THROTTLE TRIGGER		1	
21	532416358	SCREW		1	
22	532191596	COMMA*RPLPAR 532187767428		1	
28	532142158	FULE LINE		1	
29	532137180	SPARK ARRESTER KIT		1	
37	532123487	HOSE CLAMP		1	
41	532126197	WASHER		1	
42	810040700	WASHER		1	
45	873510400	NUT		1	
62	532434017	SHIELD		1	
69	532178151	MUFFLER GASKET		1	
70	532424765	EXHAUST		1	
71	532424766	EXHAUST		1	
81	532148456	TUBE		1	
85	532173937	BOLT		1	
86	532184362	NUT		1	
87	532171877	BOLT		1	
90	817000616	SCREW		1	
92	817120616	SCREW		1	

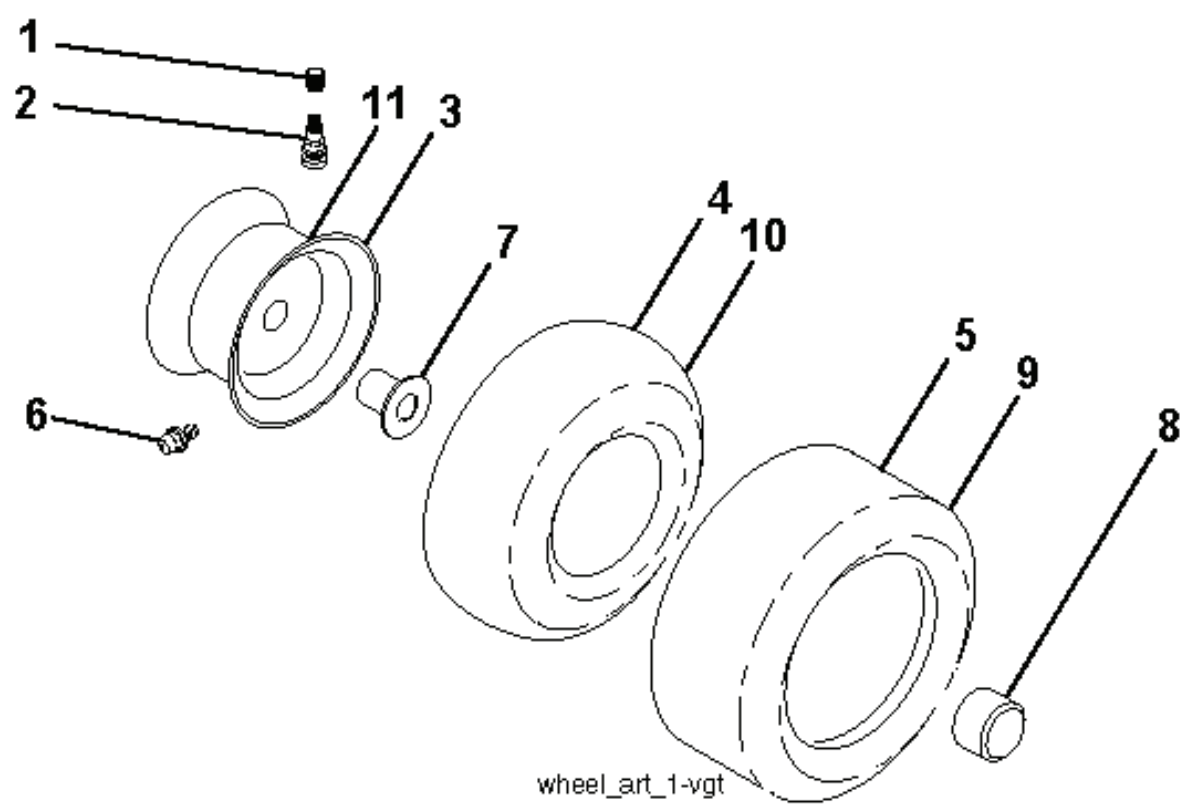


REF.	PART NO.	DESCRIPTION	REMARK	QTY.	KIT
1	532439817	CUTTING DECK		1	
6	532195186	ARM		1	
8	532193003	SCREW		1	
11	532138971	BLADE		1	
13	532192872	SHAFT ASSY		1	
14	532187281	BEARING HOUSING		1	
15	532110485	BEARING		1	
19	532196539	BOLT		1	
20	532159770	RAIL		1	
21	873680500	NUT		1	
23	532192557	HINGE		1	
24	532105304	HUB CAP		1	
25	532197026	TORSION SPRING		1	
26	532110452	NUT		1	
27	532403004	SHIELD		1	
29	532131491	SHAFT		1	
30	532173984	SCREW		1	
31	532187690	WASHER		1	
32	532153535	PULLEY		1	
33	532400234	NUT		1	
34	872110612	BOLT		1	
36	532197379	PULLEY		1	
40	873900600	NUT		1	
55	532437110	ARM		1	
56	532199092	SPACER		1	
57	817000616	SCREW		1	
59	532141043	GUARD		1	
62	872110616	BOLT		1	
68	532144959	BELT		1	
69	872140505	BOLT		1	
116	532124842	BOLT		1	
117	532188606	WHEEL		1	
118	873900600	NUT		1	
119	819121414	WASHER		1	
145	532193197	PULLEY		1	
188	532195161	STUD		1	
189	873900500	NUT		1	
190	532197251	SPRING		1	
241	532152927	SCREW		1	
242	532415598	HOSE COUPLING		1	
--	532192870	SPINDLE		1	
--	532439354	CUTTING DECK		1	



seat-tex_7A-vgt

REF.	PART NO.	DESCRIPTION	REMARK	QTY.	KIT
1	532424068	SEAT		1	
2	532180166	BRACKET		1	
3	532140675	STRAP		1	
6	873800600	NUT		1	
7	532124181	SPRING		1	
8	532171877	BOLT		1	
10	532196977	PLATE		1	
21	532171852	BOLT		1	
37	873800500	LOCK NUT		1	
40	532197661	HANDLE		1	
41	532198200	SPRING		1	
43	874760612	BOLT		1	
44	819133812	WASHER		1	



REF.	PART NO.	DESCRIPTION	REMARK	QTY.	KIT
1	532059192	CAP VALVE		1	
2	532065139	NIPPLE		1	
3	532138336	RIM	FRONT	1	
4	532059904	HOSE	(Service Item Only)	1	
5	532106222	TIRE	FRONT	1	
6	532124957	FITTING	(Front Wheel Only)	1	
7	532124959	BEARING	(Front Wheel Only)	1	
8	532175039	HUB CAP		1	
9	532122082	TIRE	REAR	1	
10	532124926	HOSE	(Service Item Only)	1	
11	532138337	RIM SPROCKET	REAR	1	
--	532144334	SEALING FOAM		1	
	PART NO.		REMARK		KIT