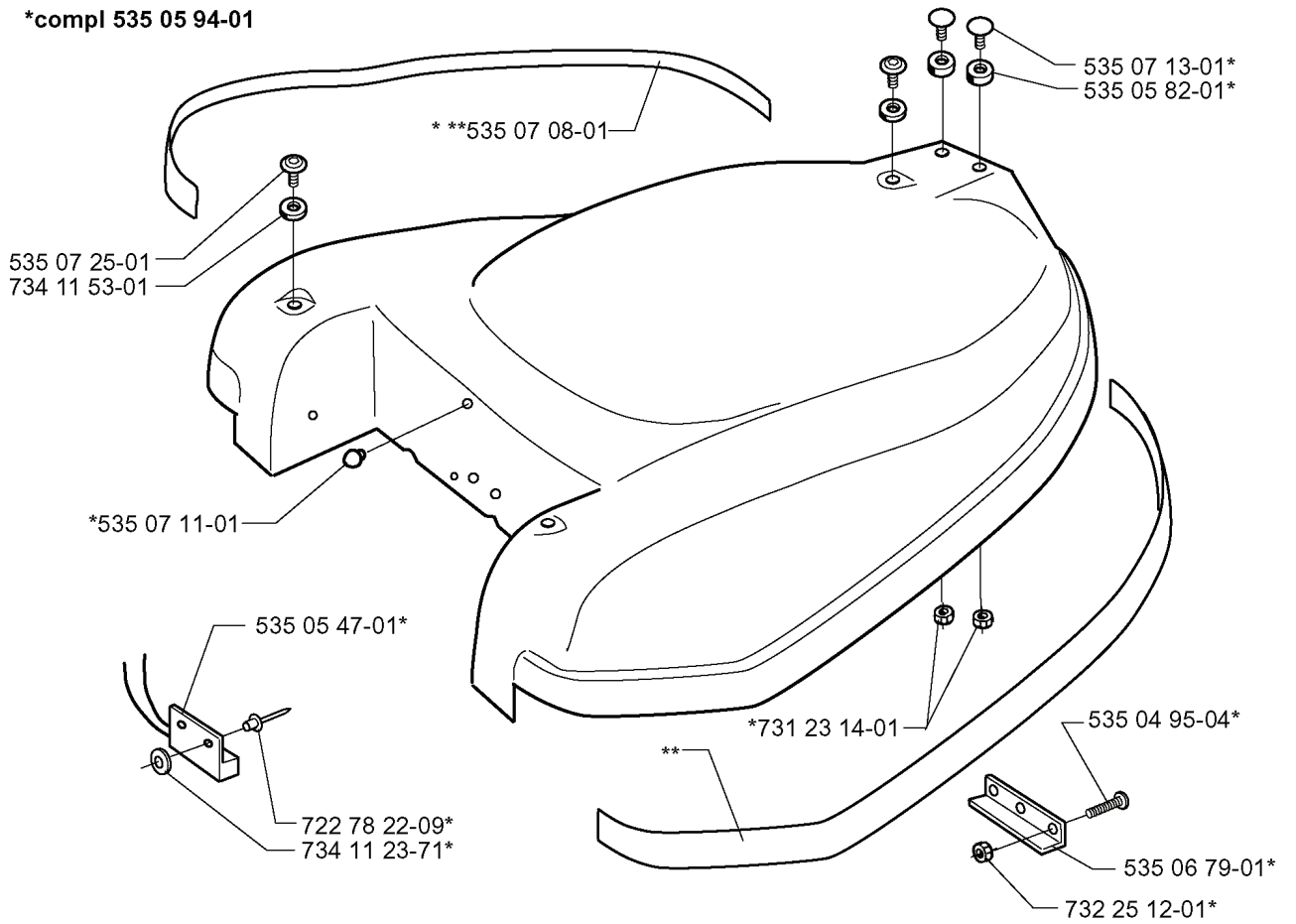


AUTOMOWER G1 1998 1998-05

SPARE PARTS LIST

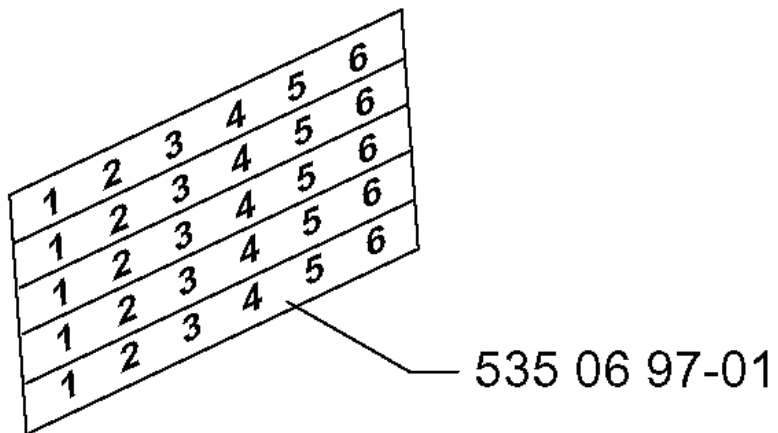
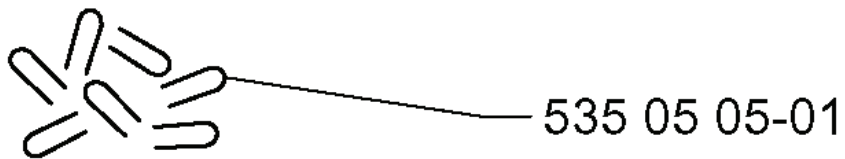
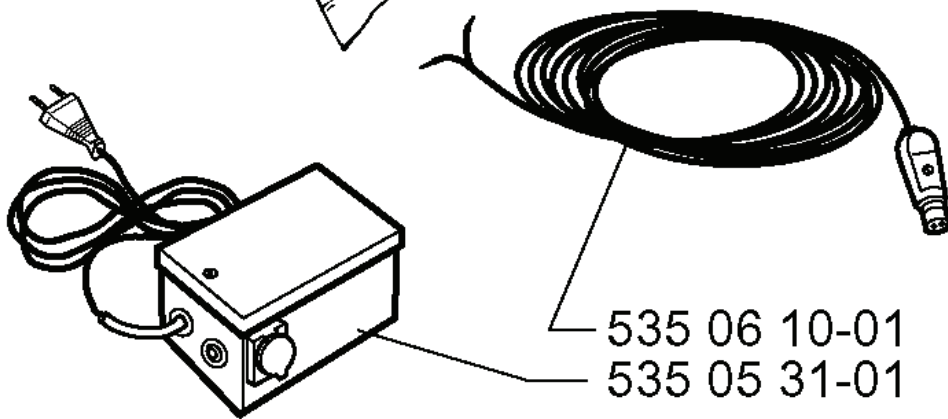
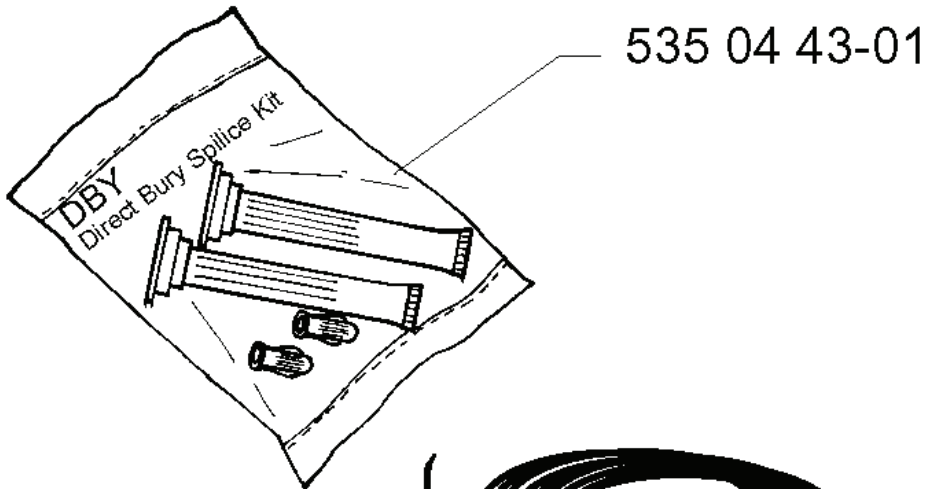
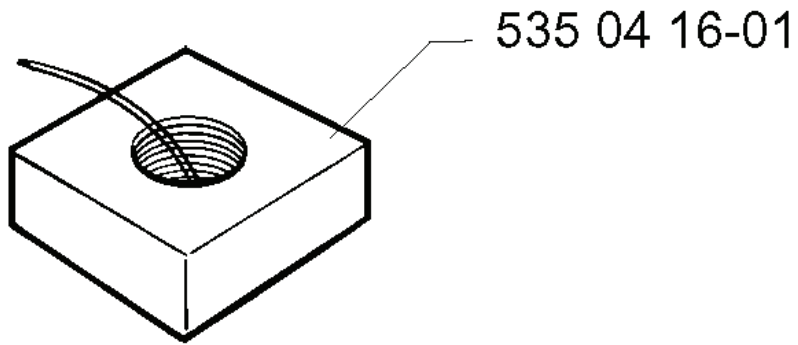
A

*compl 535 05 94-01



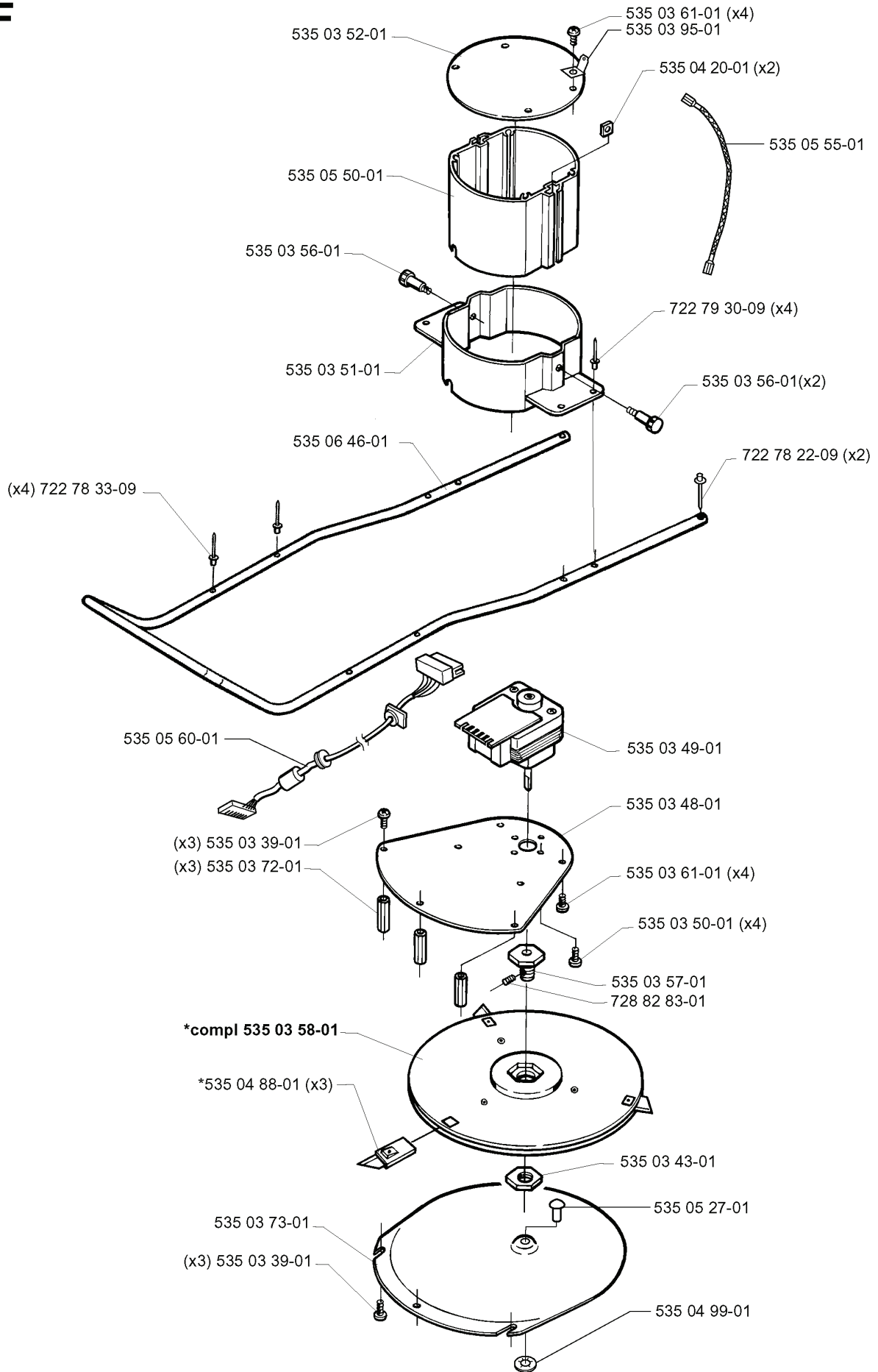
REF.	PART NO.	DESCRIPTION	REMARK	QTY.	KIT
535 05 94-01	535059401	COVER		1	
535 07 25-01	535072501	SCREW IH PANM		1	
734 11 53-01	734115301	WASHER		1	
535 07 11-01	535071101	PROTECTOR		1	
535 05 47-01	535054701	SWITCH		1	
722 78 22-09	722782209	BLIND RIVET		1	
734 11 23-71	734112371	WASHER		1	
535 07 08-01	535070801	TAPE		1	
731 23 14-01	731231401	HEXAGON NUT		1	
732 25 12-01	732251201	HEXAGON LOCKING NUT		1	
535 06 79-01	535067901	RAIL		1	
535 04 95-04	535049504	SCREW IH PANM		1	
535 05 82-01	535058201	WASHER		1	
535 07 13-01	535071301	SCREW		1	

J

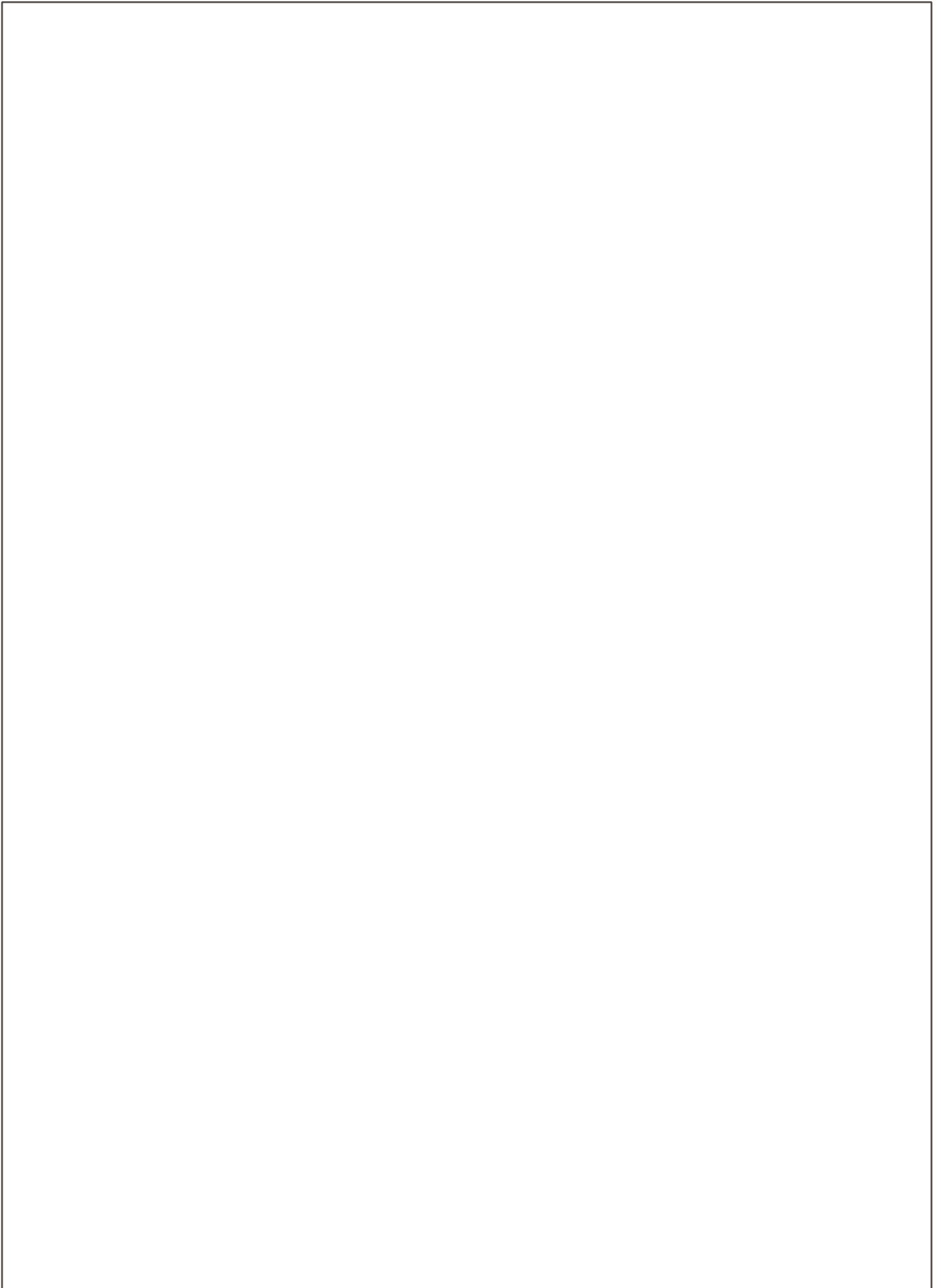


REF.	PART NO.	DESCRIPTION	REMARK	QTY.	KIT
535 04 16-01	535041601	WIRE		1	
535 04 43-01	535044301	COUPLER		1	
535 06 10-01	535061001	CABLE		1	
535 05 31-01	535053101	TRANSFORMER		1	
535 05 05-01	535050501	STAPLE		1	
535 06 97-01	535069701	LABEL		1	

F

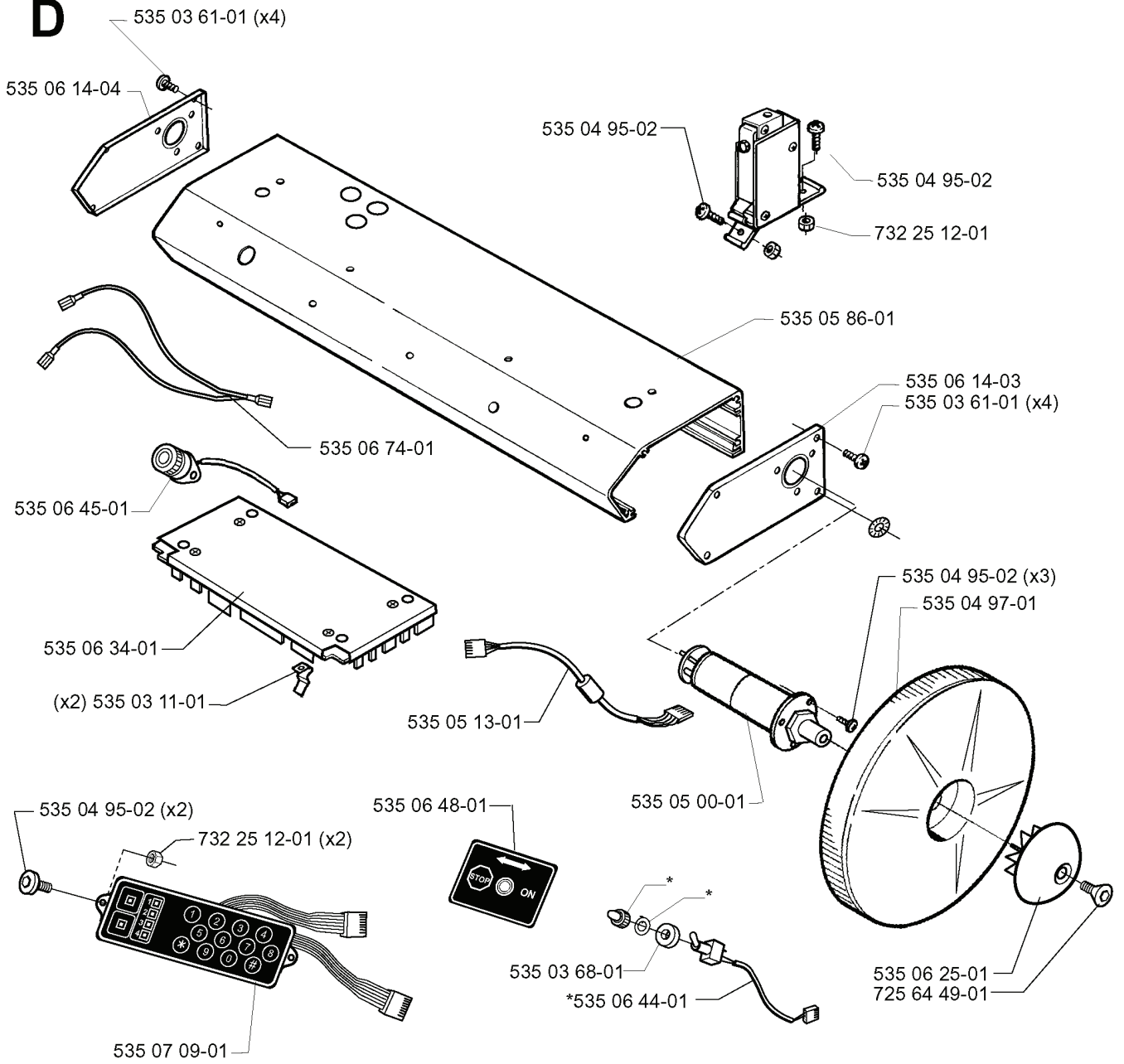


REF.	PART NO.	DESCRIPTION	REMARK	QTY.	KIT
535 03 52-01	535035201	COVER		1	
535 05 50-01	535055001	PIPE		1	
535 03 51-01	535035101	PIPE		1	
535 06 46-01	535064601	PIPE		1	
722 78 33-09	722783309	BLIND RIVET		4	
535 05 60-01	535056001	CABLE		1	
535 03 72-01	535037201	SPACER		3	
535 03 58-01	535035801	BLADE DISC. CPL.		1	
535 04 88-01	535048801	BLADE SET		3	
535 03 73-01	535037301	PLATE		1	
535 03 39-01	535033901	SCREW IH PANM		3	
535 04 99-01	535049901	WASHER		1	
535 05 27-01	535052701	RIVET		1	
535 03 43-01	535034301	NUT		1	
728 82 83-01	728828301	SCREW IH SETM		1	
535 03 57-01	535035701	HUB		1	
535 03 50-01	535035001	SCREW		4	
535 03 61-01	535036101	SCREW		4	
535 03 48-01	535034801	PLATE		1	
535 03 49-01	535034901	ENGINE		1	
722 78 22-09	722782209	BLIND RIVET		2	
535 03 56-01	535035601	KNOB		2	
722 79 30-09	722793009	BLIND RIVET		4	
535 05 55-01	535055501	CABLE		1	
535 04 20-01	535042001	NUT		2	
535 03 95-01	535039501	CLIP		1	



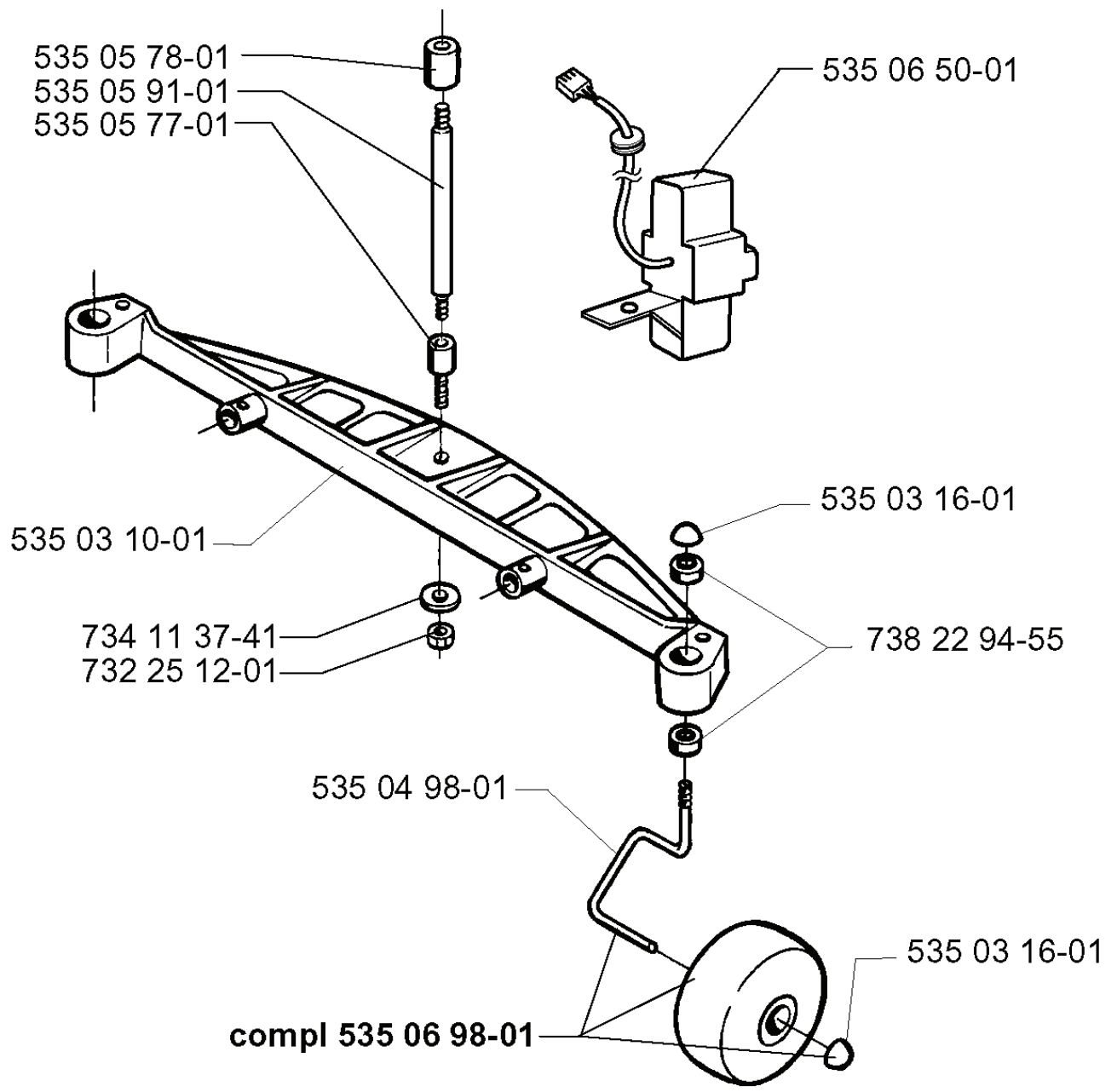
REF.	PART NO.	DESCRIPTION	REMARK	QTY.	KIT
535 05 44-01	535054401	CABLE		1	
535 06 80-01	535068001	CABLE		1	
729 57 09-01	729570901	SCREW CCRPANT		4	
535 06 70-01	535067001	PRINTED CIRCUIT CARD		1	
535 06 73-01	535067301	SPACER		4	
535 06 36-01	535063601	BATTERY		1	
535 04 95-02	535049502	SCREW IH PANM		4	
535 05 09-01	535050901	COVER		1	

D



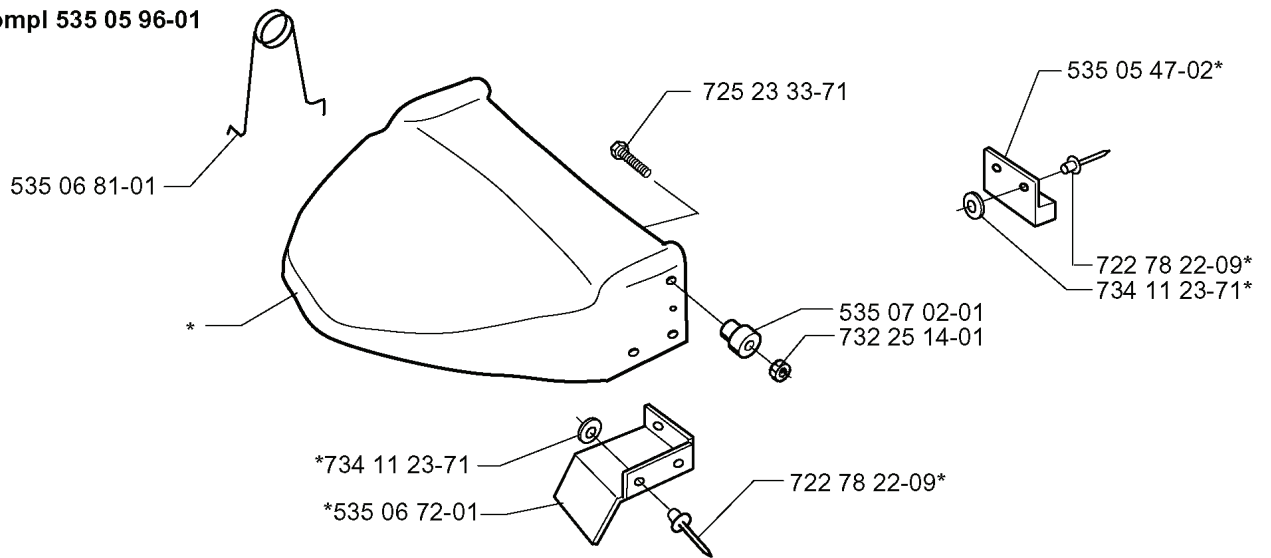
REF.	PART NO.	DESCRIPTION	REMARK	QTY.	KIT
535 03 61-01	535036101	SCREW		4	
535 06 14-04	535061404	END		1	
535 06 74-01	535067401	CABLE		1	
535 06 45-01	535064501	BUZZER		1	
535 06 34-01	535063401	PRINTED CIRCUIT CARD		1	
535 03 11-01	535031101	SPRING		2	
535 07 09-01	535070901	KEYBOARD		1	
535 06 48-01	535064801	DECAL		1	
535 05 13-01	535051301	CABLE		1	
535 04 95-02	535049502	SCREW IH PANM		1	
535 05 00-01	535050001	ENGINE	Motor w/o gearbox 535 10 66-01	1	
535 03 68-01	535036801	WASHER		1	
535 06 44-01	535064401	SWITCH		1	
725 64 49-01	725644901	SCREW IHCSFM		1	
535 06 25-01	535062501	WASHER		1	
535 04 97-01	535049701	GEAR WHEEL		1	
535 06 14-03	535061403	END		1	
535 05 86-01	535058601	BOX		1	
732 25 12-01	732251201	HEXAGON LOCKING NUT		1	

G



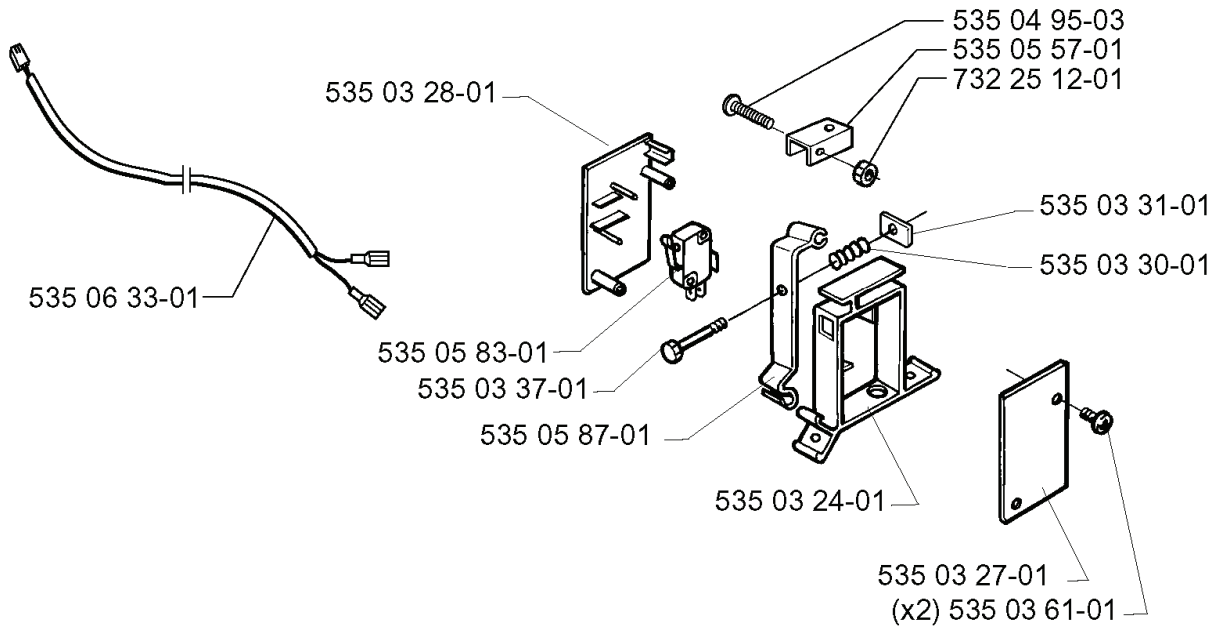
REF.	PART NO.	DESCRIPTION	REMARK	QTY.	KIT
535 05 78-01	535057801	ABSORBER		1	
535 05 91-01	535059101	BRACKET		1	
535 05 77-01	535057701	ABSORBER		1	
535 03 10-01	535031001	BRACKET		1	
734 11 37-41	734113741	WASHER		1	
732 25 12-01	732251201	HEXAGON LOCKING NUT		1	
535 04 98-01	535049801	SPINDLE		1	
535 06 98-01	535069801	WHEEL		1	
738 22 94-55	738229455	BALL BEARING		1	
535 03 16-01	535031601	CLIP		1	
535 06 50-01	535065001	SENSOR		1	

B *compl 535 05 96-01



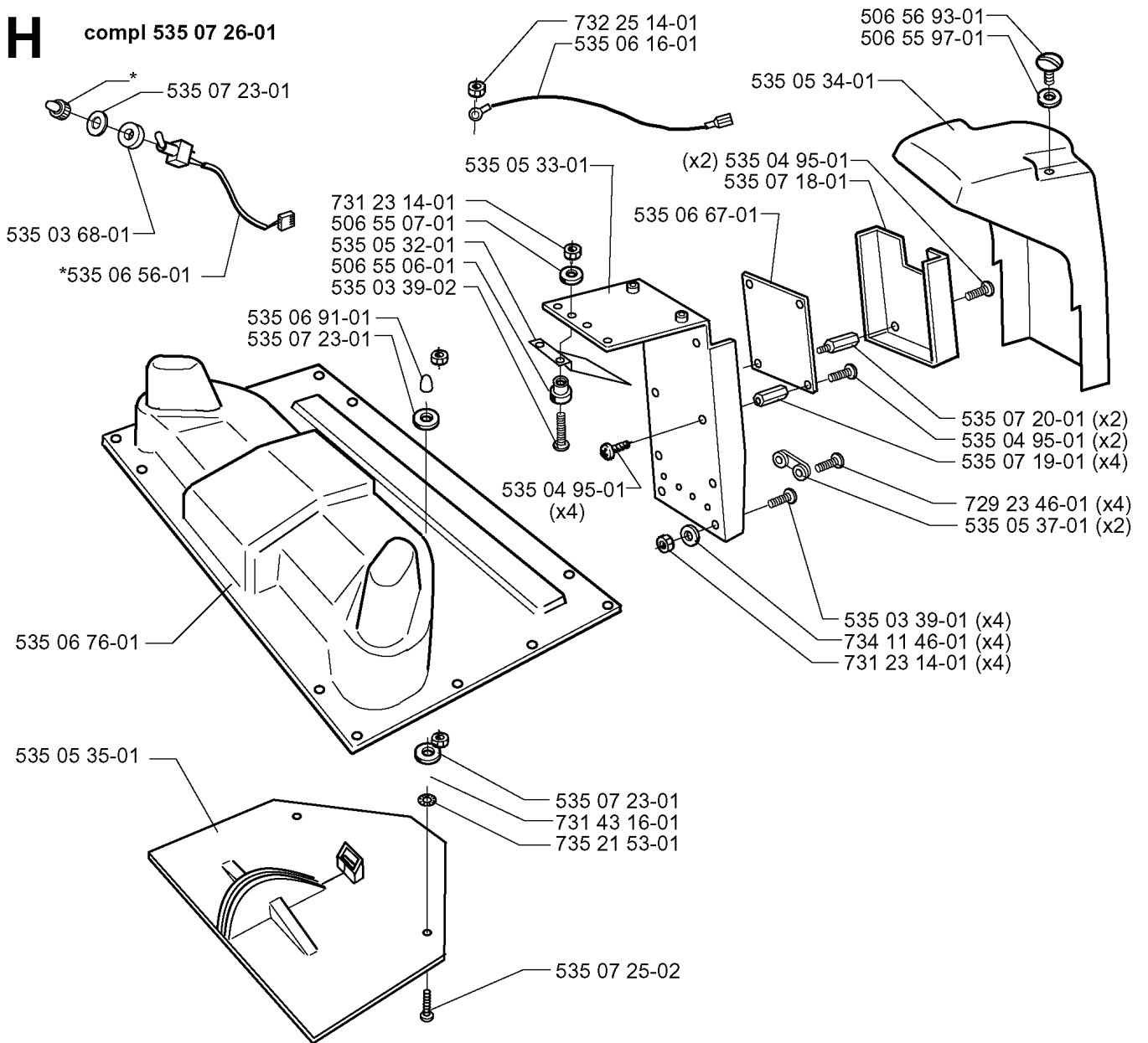
REF.	PART NO.	DESCRIPTION	REMARK	QTY.	KIT
535 05 96-01	535059601	COVER		1	
535 06 81-01	535068101	SPRING		1	
734 11 23-71	734112371	WASHER		1	
535 06 72-01	535067201	COVER		1	
732 25 14-01	732251401	HEXAGON LOCKING NUT		1	
535 07 02-01	535070201	BUSHING		1	
725 23 33-71	725233371	SCREW EHHM		1	
722 78 22-09	722782209	BLIND RIVET		1	
535 05 47-02	535054702	MAGNET		1	

C



REF.	PART NO.	DESCRIPTION	REMARK	QTY.	KIT
535 06 33-01	535063301	CABLE		1	
535 03 28-01	535032801	COVER		1	
535 05 83-01	535058301	SWITCH		1	
535 03 37-01	535033701	SCREW		1	
535 05 87-01	535058701	LEVER		1	
535 03 24-01	535032401	BRACKET		1	
535 03 27-01	535032701	COVER		1	
535 03 61-01	535036101	SCREW		2	
535 03 30-01	535033001	SPRING		1	
535 03 31-01	535033101	NUT		1	
732 25 12-01	732251201	HEXAGON LOCKING NUT		1	
535 05 57-01	535055701	BRACKET		1	
535 04 95-03	535049503	SCREW IH PANM		1	

H compl 535 07 26-01



REF.	PART NO.	DESCRIPTION	REMARK	QTY.	KIT
535 07 26-01	535072601	CHARGING STATION		1	
535 07 23-01	535072301	WASHER		1	
535 03 68-01	535036801	WASHER		1	
535 06 56-01	535065601	SWITCH		1	
535 06 76-01	535067601	COVER		1	
535 05 35-01	535053501	PLATE		1	
535 07 25-02	535072502	SCREW IH PANM		1	
735 21 53-01	735215301	LOCKWASHER		1	
731 43 16-01	731431601	HEXAGON THIN NUT		1	
535 06 91-01	535069101	NUT		1	
535 03 39-02	535033902	SCREW IH PANM		1	
506 55 06-01	506550601	PLUG		1	
535 05 32-01	535053201	PLATE		1	
506 55 07-01	506550701	INSULATING WASHER		1	
732 25 14-01	732251401	HEXAGON LOCKING NUT		1	
535 06 16-01	535061601	CABLE		1	
535 05 33-01	535053301	BRACKET		1	
731 23 14-01	731231401	HEXAGON NUT		4	
734 11 46-01	734114601	WASHER		4	
535 03 39-01	535033901	SCREW IH PANM		4	
535 05 37-01	535053701	LOOP		2	
729 23 46-01	729234601	SCREW SLPANT		4	
535 07 19-01	535071901	SPACING SLEEVE		4	
535 04 95-01	535049501	SCREW IH PANM		2	
535 07 20-01	535072001	SPACING SLEEVE		2	
506 06 67-01	506066701	CORD		1	
535 07 18-01	535071801	COVER		1	
535 05 34-01	535053401	COVER		1	
506 55 97-01	506559701	WASHER		1	
506 56 93-01	506569301	SCREW		1	