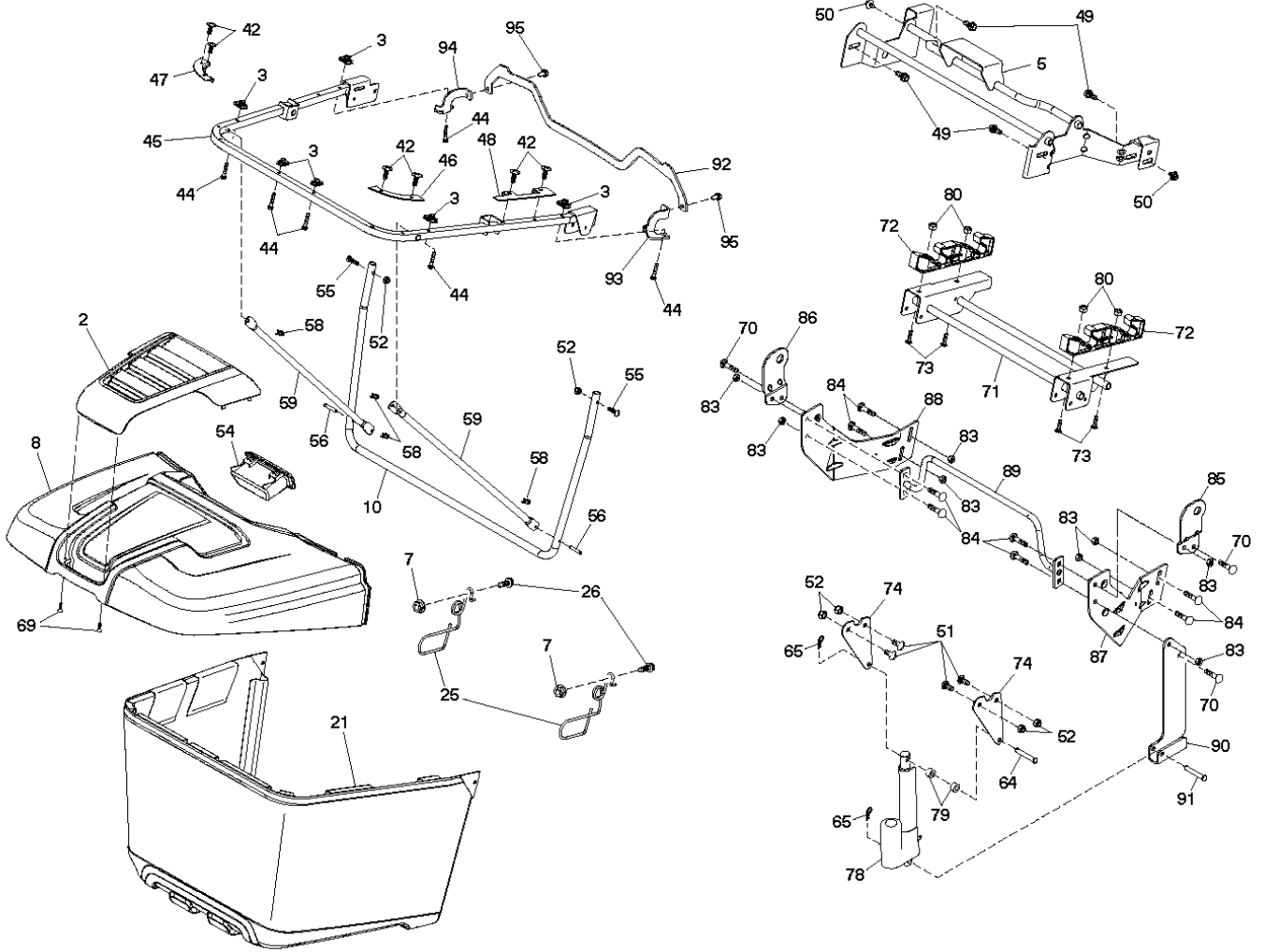


CTH184 T, 96051003400, 2012-01

---

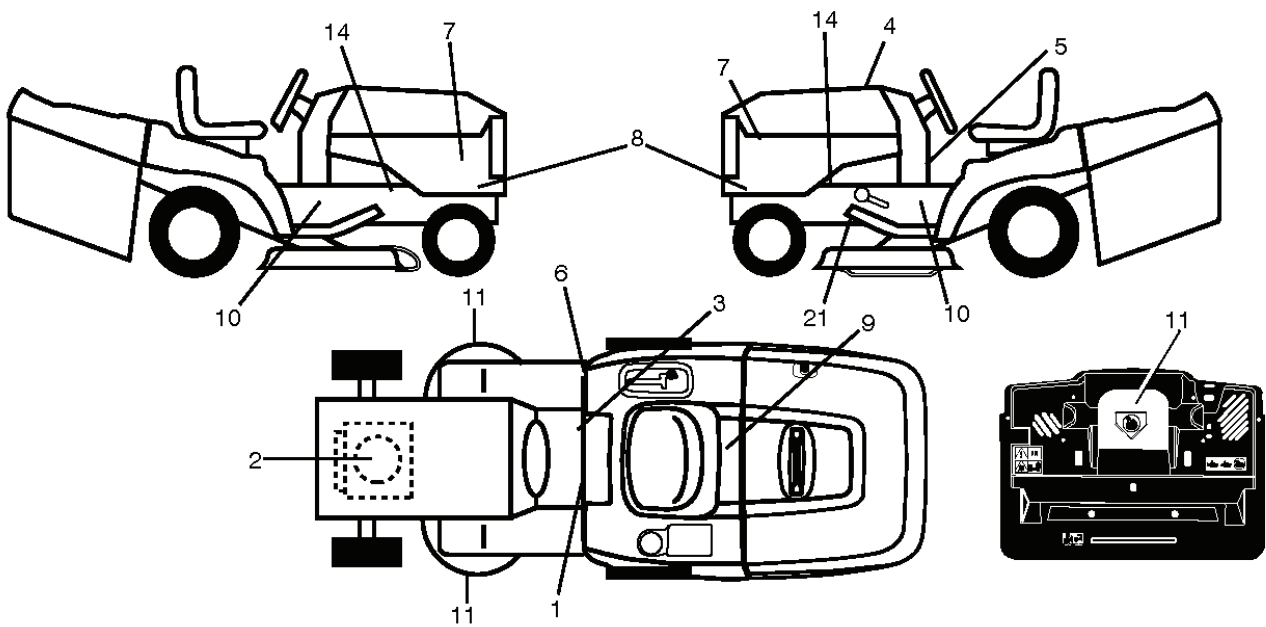
# **SPARE PARTS LIST**



| REF. | PART NO.  | DESCRIPTION   | REMARK | QTY. | KIT |
|------|-----------|---------------|--------|------|-----|
| 2    | 532447572 | COVER         |        | 1    |     |
| 3    | 532174814 | NUT           |        | 1    |     |
| 5    | 532445248 | TUBE          |        | 1    |     |
| 7    | 873900400 | NUT           |        | 1    |     |
| 8    | 580436801 | COVER         |        | 1    |     |
| 10   | 532443755 | FRAME         |        | 1    |     |
| 21   | 532445943 | BAG           |        | 1    |     |
| 25   | 532445528 | LATCH         |        | 1    |     |
| 26   | 817490412 | SCREW         |        | 1    |     |
| 42   | 532440428 | CLIP          |        | 1    |     |
| 44   | 532199687 | SCREW         |        | 1    |     |
| 45   | 532443754 | FRAME         |        | 1    |     |
| 46   | 532445541 | CONNECTOR     |        | 1    |     |
| 47   | 532444079 | CONNECTOR     |        | 1    |     |
| 48   | 532444080 | BAFFLE        |        | 1    |     |
| 49   | 532171873 | BOLT          |        | 1    |     |
| 50   | 532171877 | BOLT          |        | 1    |     |
| 51   | 872110506 | BOLT          |        | 1    |     |
| 52   | 873800500 | LOCK NUT      |        | 1    |     |
| 54   | 532447218 | HANDLE        |        | 1    |     |
| 55   | 872140512 | BOLT          |        | 1    |     |
| 56   | 532420306 | CLEVIS PIN    |        | 1    |     |
| 58   | 532085179 | CLIP          |        | 1    |     |
| 59   | 532444763 | TUBE          |        | 1    |     |
| 64   | 532430422 | PEN           |        | 1    |     |
| 65   | 532124788 | RETAINER RING |        | 1    |     |
| 69   | 532421801 | SCREW         |        | 1    |     |
| 70   | 817000612 | SCREW         |        | 1    |     |
| 71   | 532445238 | PIVOTING ARM  |        | 1    |     |
| 72   | 532445236 | BRACKET       |        | 1    |     |
| 73   | 872110510 | BOLT          |        | 1    |     |
| 74   | 532445243 | BRACKET       |        | 1    |     |
| 78   | 532445257 | ACTUATOR      |        | 1    |     |
| 79   | 532447368 | SPACER        |        | 1    |     |
| 80   | 873900500 | NUT           |        | 1    |     |
| 83   | 873800600 | NUT           |        | 1    |     |
| 84   | 872110608 | BOLT          |        | 1    |     |
| 85   | 581314102 | BRACKET       |        | 1    |     |
| 86   | 581314002 | BRACKET       |        | 1    |     |
| 87   | 581314802 | BRACKET       |        | 1    |     |
| 88   | 581314702 | BRACKET       |        | 1    |     |
| 89   | 581315102 | TUBE ASSY     |        | 1    |     |
| 90   | 581314202 | BRACKET       |        | 1    |     |
| 91   | 532448634 | CLEVIS PIN    |        | 1    |     |
| 92   | 586052302 | BRACKET       |        | 1    |     |
| 93   | 586052402 | BRACKET       |        | 1    |     |
| 94   | 586052502 | BRACKET       |        | 1    |     |
| 95   | 817000512 | SCREW         |        | 1    |     |

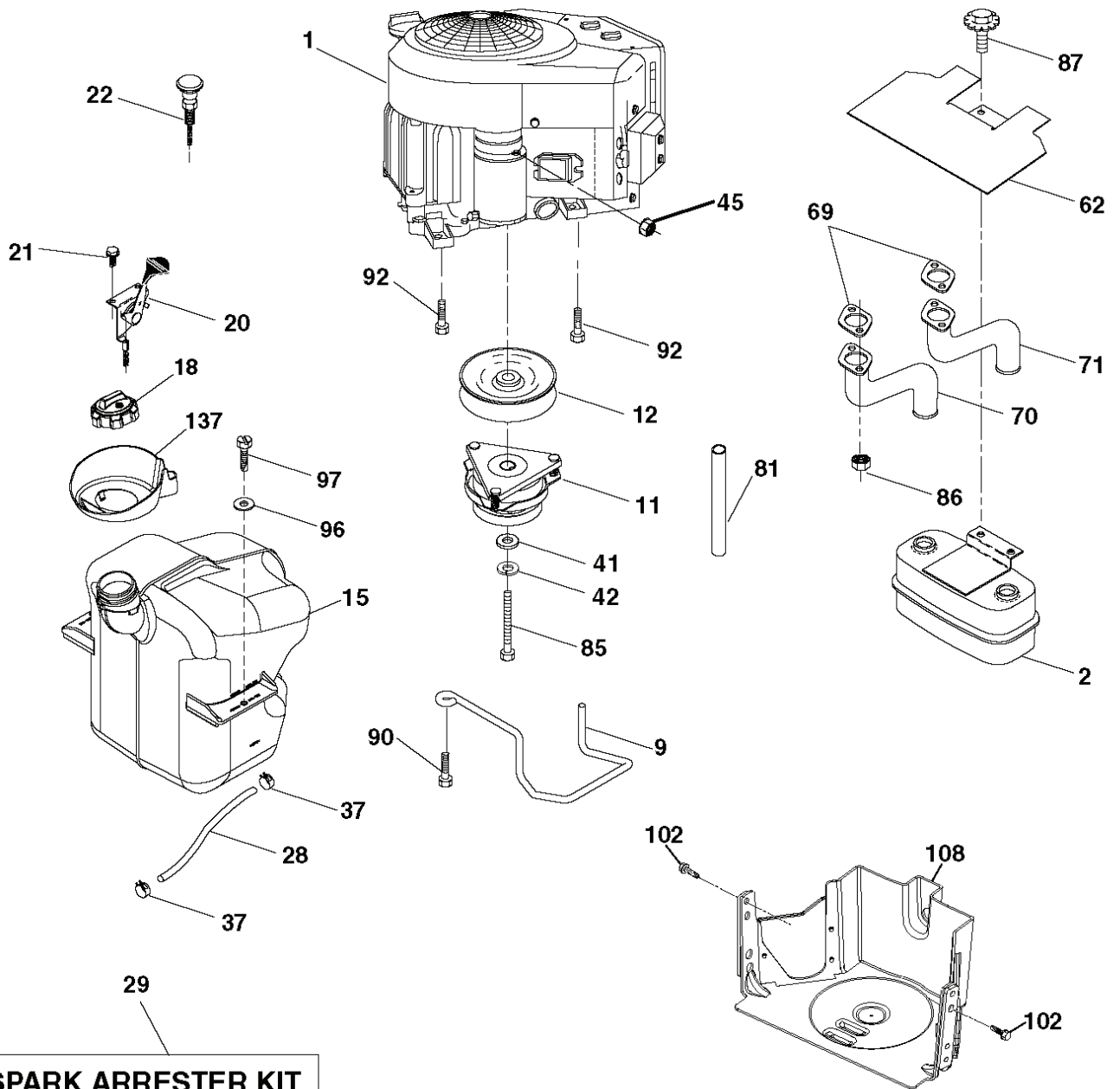


| REF. | PART NO.  | DESCRIPTION              | REMARK   | QTY. | KIT |
|------|-----------|--------------------------|----------|------|-----|
| 3    | 532439752 | LOGOTYPE                 |          | 1    |     |
| 5    | 532437484 | DASH                     |          | 1    |     |
| 14   | 532441177 | HOOD                     |          | 1    |     |
| 15   | 532439733 | LENS                     | LH       | 1    |     |
| 18   | 532440653 | GRILLE                   |          | 1    |     |
| 25   | 532443385 | LENS                     | RH       | 1    |     |
| 34   | 532447253 | PLATE                    |          | 1    |     |
| 36   | 817060512 | SCREW                    |          | 1    |     |
| 37   | 532441369 | FENDER                   |          | 1    |     |
| 52   | 873680500 | NUT                      |          | 1    |     |
| 68   | 817490508 | SCREW                    |          | 1    |     |
| 130  | 532416358 | SCREW                    |          | 1    |     |
| 137  | 532407590 | DAMPING PIECE            |          | 1    |     |
| 150  | 532439731 | AIR DUCT                 |          | 1    |     |
| 151  | 532436670 | BRACKET                  |          | 1    |     |
| 152  | 532439870 | SHIELD                   |          | 1    |     |
| 156  | 872140614 | BOLT                     |          | 1    |     |
| 159  | 817000612 | SCREW                    |          | 1    |     |
| 162  | 532142432 | SCREW                    |          | 1    |     |
| 171  | 532441289 | BAGGER                   |          | 1    |     |
| 175  | 532196304 | SUPPORT                  |          | 1    |     |
| 176  | 532400776 | SCREW                    |          | 1    |     |
| 177  | 532195227 | BUSHING                  |          | 1    |     |
| 178  | 532199782 | NET                      |          | 1    |     |
| 179  | 532168937 | WASHER                   |          | 1    |     |
| 180  | 583902701 | CHASSIS                  |          | 1    |     |
| 182  | 532438967 | DASH                     |          | 1    |     |
| 183  | 874520520 | BOLT                     |          | 1    |     |
| 189  | 817000512 | SCREW                    |          | 1    |     |
| 191  | 532437455 | INSERT                   |          | 1    |     |
| 194  | 873900500 | NUT                      |          | 1    |     |
| 195  | 532404137 | TROU*RPLPAR 532401556428 |          | 1    |     |
| 198  | 532441552 | INDICATOR                |          | 1    |     |
| 199  | 532418739 | PLATE                    |          | 1    |     |
| 202  | 532439728 | COVER                    | RH       | 1    |     |
| 203  | 532439727 | COVER                    | LH       | 1    |     |
| 204  | 532440665 | COVER                    |          | 1    |     |
| 205  | 532439730 | SKIRT                    | RH       | 1    |     |
| 206  | 532439729 | SKIRT                    | LH       | 1    |     |
| 207  | 532439734 | CUP                      | RH       | 1    |     |
| 208  | 532439735 | CUP                      | LH       | 1    |     |
| 213  | 874760512 | BOLT                     |          | 1    |     |
| 214  | 532199145 | CLIP                     |          | 1    |     |
| 217  | 532409167 | ROD                      |          | 1    |     |
| 218  | 532196395 | PLATE                    |          | 1    |     |
| 228  | 532195161 | STUD                     |          | 1    |     |
| 229  | 532441463 | LID                      |          | 1    |     |
| 234  | 532404742 | DAMPING PIECE            |          | 1    |     |
| 235  | 532406129 | SPACER                   |          | 1    |     |
| 236  | 873930500 | NUT                      |          | 1    |     |
| 282  | 532414110 | CLIP                     |          | 1    |     |
| 283  | 532447212 | CONSOLE                  |          | 1    |     |
| 284  | 532447317 | CONSOLE                  |          | 1    |     |
| 287  | 817600406 | SCREW                    |          | 1    |     |
| 297  | 532437456 | INSERT                   |          | 1    |     |
| 308  | 532171877 | BOLT                     |          | 1    |     |
| 309  | 532447779 | BACK PLATE               |          | 1    |     |
| 319  | 532446876 | BRACKET                  |          | 1    |     |
| 335  | 532445309 | COVER                    |          | 1    |     |
| 336  | 532448204 | COVER                    |          | 1    |     |
| 338  | 532436640 | BOLT                     |          | 1    |     |
| 339  | 532441288 | LEVER                    |          | 1    |     |
| 340  | 532447478 | DOOR                     |          | 1    |     |
| 342  | 532435938 | SUPPORT                  |          | 1    |     |
| 343  | 532440749 | CLIP                     |          | 1    |     |
| 344  | 532438970 | CONTROL                  |          | 1    |     |
| 345  | 532440639 | KNOB                     |          | 1    |     |
| 347  | 532442887 | HITCH                    |          | 1    |     |
| 348  | 532444926 | COVER                    |          | 1    |     |
| 349  | 532436606 | SUPPORT                  |          | 1    |     |
| 350  | 532445143 | CLIP                     |          | 1    |     |
| --   | 532400944 | FRONT BUMPER             | *SUBS/2* | 1    |     |



---

| REF. | PART NO.  | DESCRIPTION | REMARK | QTY. | KIT |
|------|-----------|-------------|--------|------|-----|
| 1    | 532445503 | DECAL       |        | 1    |     |
| 2    | 532196841 | DECAL       |        | 1    |     |
| 3    | 532178302 | DECAL       |        | 1    |     |
| 4    | 532446090 | DECAL       |        | 1    |     |
| 5    | 532440247 | DECAL       |        | 1    |     |
| 6    | 532180432 | DECAL       |        | 1    |     |
| 7    | 581627301 | DECAL       |        | 1    |     |
| 8    | 532446158 | DECAL       |        | 1    |     |
| 9    | 532432641 | DECAL       |        | 1    |     |
| 10   | 532401146 | DECAL       |        | 1    |     |
| 11   | 532182166 | DECAL       |        | 1    |     |
| 14   | 532159736 | DECAL       |        | 1    |     |
| 21   | 532441189 | DECAL       |        | 1    |     |
| --   | 532441410 | PAD         |        | 1    |     |
| --   | 532441409 | PAD         |        | 1    |     |



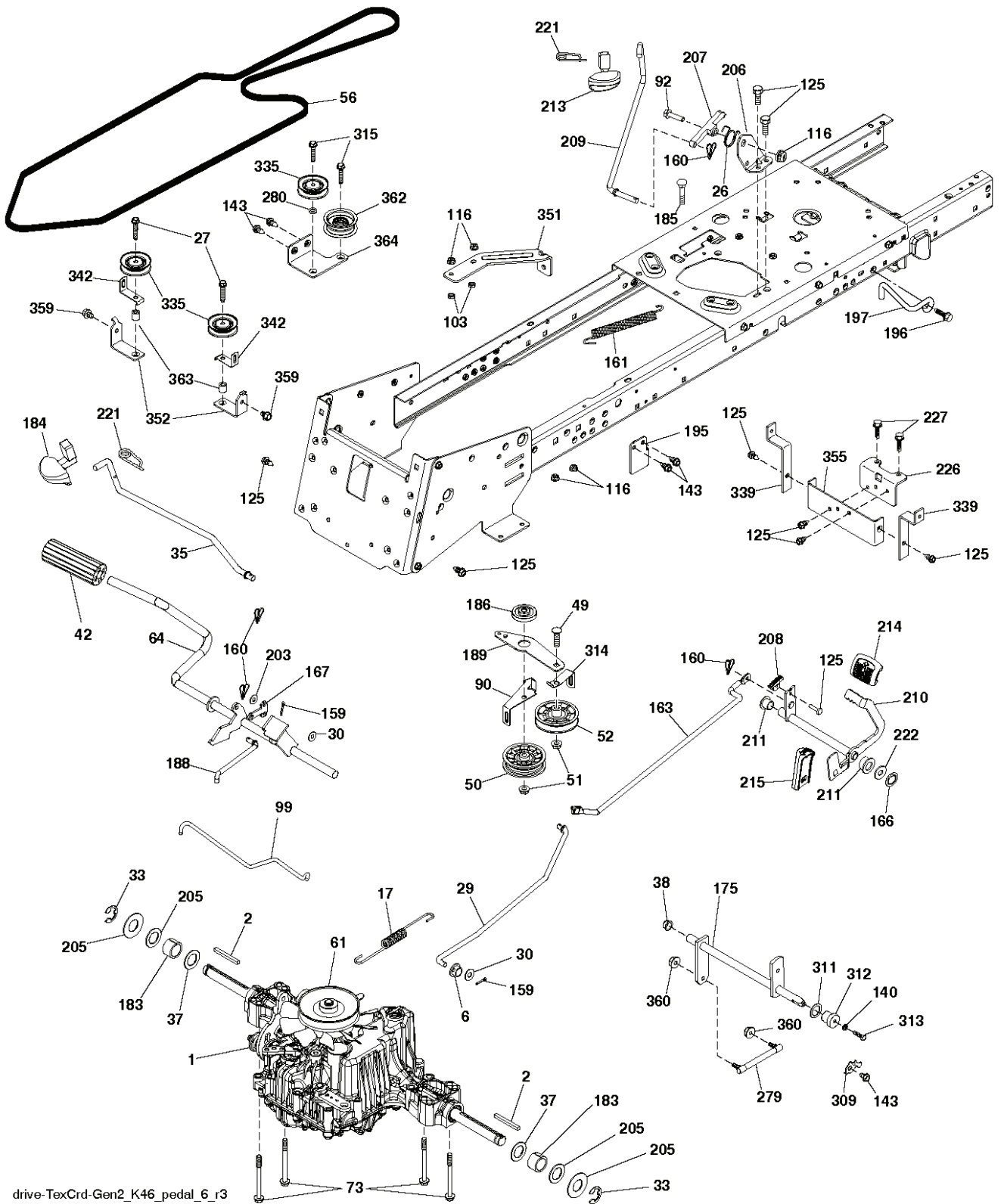
**SPARK ARRESTER KIT**

engine-tex\_Kawa-2cyl\_19

| REF. | PART NO.  | DESCRIPTION               | REMARK   | QTY. | KIT |
|------|-----------|---------------------------|--|------|-----|
| 1    | 000000000 | W/O DESCRIPTION           | Engine Kawasaki Model No.<br>FS541V-CS51(445366) | 1    |     |
| 2    | 532445962 | MUFFLER                   |  | 1    |     |
| 9    | 532194320 | BELT GUIDE                |  | 1    |     |
| 11   | 532400008 | CLUTCH                    |  | 1    |     |
| 12   | 532405097 | PULLEY                    |  | 1    |     |
| 15   | 532435816 | FUEL TANK                 |  | 1    |     |
| 18   | 532441462 | CUP                       |  | 1    |     |
| 20   | 532412165 | CABLE                     |  | 1    |     |
| 21   | 532416358 | SCREW                     |  | 1    |     |
| 22   | 532191596 | COMMA*RPLPAR 532187767428 |  | 1    |     |
| 28   | 532137040 | HOSE                      |  | 1    |     |
| 29   | 532137180 | SPARK ARRESTER KIT        |  | 1    |     |
| 37   | 532123487 | HOSE CLAMP                |  | 1    |     |
| 41   | 532126197 | WASHER                    |  | 1    |     |
| 42   | 810040700 | WASHER                    |  | 1    |     |
| 45   | 873510400 | NUT                       |  | 1    |     |
| 62   | 532434017 | SHIELD                    |  | 1    |     |
| 69   | 532178151 | MUFFLER GASKET            |  | 1    |     |
| 70   | 532424765 | EXHAUST                   |  | 1    |     |
| 71   | 532424766 | EXHAUST                   |  | 1    |     |
| 81   | 532148456 | TUBE                      |  | 1    |     |
| 85   | 532173937 | BOLT                      |  | 1    |     |
| 86   | 532184362 | NUT                       |  | 1    |     |
| 87   | 532171877 | BOLT                      |  | 1    |     |
| 90   | 817000616 | SCREW                     |  | 1    |     |
| 92   | 817120616 | SCREW                     |  | 1    |     |
| 96   | 819091416 | WASHER                    |  | 1    |     |
| 97   | 817670412 | SCREW                     |  | 1    |     |
| 102  | 817060516 | SCREW                     |  | 1    |     |
| 108  | 532423041 | COVER                     |  | 1    |     |
| 137  | 532441461 | FUEL CAP ASSY             |  | 1    |     |



| REF. | PART NO.  | DESCRIPTION     | REMARK | QTY. | KIT |
|------|-----------|-----------------|--------|------|-----|
| 1    | 532439740 | STEERING WHEEL  |        | 1    |     |
| 2    | 532436870 | WHEEL AXLE      |        | 1    |     |
| 4    | 532436873 | SPINDLE         | LH     | 1    |     |
| 5    | 532436874 | SPINDLE         | RH     | 1    |     |
| 6    | 532124931 | WASHER          |        | 1    |     |
| 7    | 532121748 | WASHER          |        | 1    |     |
| 8    | 812000029 | RETAINER RING   |        | 1    |     |
| 9    | 532121232 | HUB CAP         |        | 1    |     |
| 13   | 532121749 | WASHER          |        | 1    |     |
| 14   | 810040600 | WASHER          |        | 1    |     |
| 15   | 873540600 | NUT             |        | 1    |     |
| 16   | 532444212 | SHAFT           |        | 1    |     |
| 19   | 532194729 | PLATE           |        | 1    |     |
| 21   | 532437747 | ADAPTER WHEEL   |        | 1    |     |
| 22   | 532194845 | BUSHING         |        | 1    |     |
| 26   | 532439743 | HUB CAP         |        | 1    |     |
| 28   | 817000612 | SCREW           |        | 1    |     |
| 35   | 532440770 | GEAR            |        | 1    |     |
| 45   | 819183812 | WASHER          |        | 1    |     |
| 51   | 873940800 | NUT             |        | 1    |     |
| 53   | 532188967 | WASHER          |        | 1    |     |
| 57   | 532407465 | BRACKET         |        | 1    |     |
| 58   | 532194747 | BOLT            |        | 1    |     |
| 59   | 532194748 | WASHER          |        | 1    |     |
| 60   | 873971000 | NUT             |        | 1    |     |
| 61   | 532436884 | LINK            | LH     | 1    |     |
| 62   | 532436885 | TUBE            | RH     | 1    |     |
| 63   | 817000512 | SCREW           |        | 1    |     |
| 64   | 532199849 | SPRING RETAINER |        | 1    |     |
| 66   | 871020748 | BOLT            |        | 1    |     |
| 67   | 532194737 | BUSHING         |        | 1    |     |
| 68   | 873900700 | NUT             |        | 1    |     |
| 69   | 532199162 | WASHER          |        | 1    |     |
| 70   | 532196197 | BRACKET         |        | 1    |     |
| 80   | 532001370 | WASHER          |        | 1    |     |
| 81   | 532436887 | LINK            |        | 1    |     |
| 82   | 532436877 | BOLT            |        | 1    |     |
| 85   | 532441873 | PIVOT           |        | 1    |     |
| 86   | 532441872 | PIVOT           |        | 1    |     |
| 118  | 532406013 | BEARING         |        | 1    |     |
| 122  | 532444962 | CAP             |        | 1    |     |



drive-TexCrd-Gen2\_K46\_pedal\_6\_r3

| REF. | PART NO.  | DESCRIPTION     | REMARK                               | QTY. | KIT |
|------|-----------|-----------------|--------------------------------------|------|-----|
| 1    | 000000000 | W/O DESCRIPTION | Transaxle Tufftorq K46DF<br>(446488) | 1    |     |
| 2    | 532123583 | KEY             |                                      | 1    |     |
| 6    | 532124028 | BUSHING         |                                      | 1    |     |
| 17   | 532436227 | SPRING          |                                      | 1    |     |
| 26   | 532199679 | SPRING          |                                      | 1    |     |
| 27   | 817490528 | SCREW           |                                      | 1    |     |
| 29   | 532442795 | ROD             |                                      | 1    |     |
| 30   | 819131616 | WASHER          |                                      | 1    |     |
| 33   | 812000001 | RETAINER RING   |                                      | 1    |     |
| 35   | 583864501 | ROD             |                                      | 1    |     |
| 37   | 532188967 | WASHER          |                                      | 1    |     |
| 38   | 532169613 | SLEEVE          |                                      | 1    |     |
| 42   | 532124872 | PEDAL RUBBER    |                                      | 1    |     |
| 49   | 872110614 | BOLT            |                                      | 1    |     |
| 50   | 532194327 | PULLEY          |                                      | 1    |     |
| 51   | 873900600 | NUT             |                                      | 1    |     |
| 52   | 532194326 | PULLEY          |                                      | 1    |     |
| 56   | 532442781 | BELT            |                                      | 1    |     |
| 61   | 532445151 | PULLEY          |                                      | 1    |     |
| 64   | 532197865 | SHAFT           |                                      | 1    |     |
| 73   | 874490544 | SCREW           |                                      | 1    |     |
| 90   | 532443605 | KEEPER          |                                      | 1    |     |
| 92   | 874760520 | BOLT            |                                      | 1    |     |
| 99   | 532443947 | ROD             |                                      | 1    |     |
| 103  | 873350500 | NUT             |                                      | 1    |     |
| 116  | 873900500 | NUT             |                                      | 1    |     |
| 125  | 817000512 | SCREW           |                                      | 1    |     |
| 140  | 810040400 | WASHER          |                                      | 1    |     |
| 143  | 817490508 | SCREW           |                                      | 1    |     |
| 159  | 876020412 | SPLIT PIN       |                                      | 1    |     |
| 160  | 532169484 | PIN             |                                      | 1    |     |
| 161  | 532105709 | SPRING          |                                      | 1    |     |
| 163  | 532442793 | ROD             |                                      | 1    |     |
| 166  | 532429164 | NUT             |                                      | 1    |     |
| 167  | 532405257 | LATCH           |                                      | 1    |     |
| 175  | 532441823 | SHAFT           |                                      | 1    |     |
| 183  | 532137057 | SPACER          |                                      | 1    |     |
| 184  | 532441455 | HANDLE          |                                      | 1    |     |
| 185  | 872110622 | BOLT            |                                      | 1    |     |
| 186  | 532194321 | SPACER          |                                      | 1    |     |
| 188  | 532194323 | LINK            |                                      | 1    |     |
| 189  | 532433611 | BELLCRANK       |                                      | 1    |     |
| 195  | 532435865 | BRACKET         |                                      | 1    |     |
| 196  | 817000616 | SCREW           |                                      | 1    |     |
| 197  | 532195804 | BRACKET         |                                      | 1    |     |
| 203  | 819111116 | WASHER          |                                      | 1    |     |
| 205  | 532121748 | WASHER          |                                      | 1    |     |
| 206  | 532197867 | BRACKET         |                                      | 1    |     |
| 207  | 532197868 | LATCH           |                                      | 1    |     |
| 208  | 532197869 | SUPPORT         |                                      | 1    |     |
| 209  | 532199592 | ROD             |                                      | 1    |     |
| 210  | 532400980 | PEDAL ARM       |                                      | 1    |     |
| 211  | 532120183 | BEARING         |                                      | 1    |     |
| 213  | 532403119 | CONTROL         |                                      | 1    |     |
| 214  | 532421263 | PAD             |                                      | 1    |     |
| 215  | 532419482 | PEDAL RUBBER    |                                      | 1    |     |
| 221  | 532403187 | SPRING          |                                      | 1    |     |
| 222  | 879212010 | WASHER          |                                      | 1    |     |
| 226  | 532401564 | BRACKET         |                                      | 1    |     |
| 227  | 817490512 | SCREW           |                                      | 1    |     |
| 279  | 532444283 | LINK            |                                      | 1    |     |
| 280  | 819111012 | WASHER          |                                      | 1    |     |
| 309  | 532165580 | RETAINER        |                                      | 1    |     |
| 311  | 532169845 | WASHER          |                                      | 1    |     |
| 312  | 532165614 | HUB             |                                      | 1    |     |
| 313  | 874780416 | BOLT            |                                      | 1    |     |
| 314  | 532444713 | RETAINER        |                                      | 1    |     |
| 315  | 817580520 | BOLT            |                                      | 1    |     |
| 335  | 532199534 | PULLEY          |                                      | 1    |     |
| 339  | 532436867 | STRAP           |                                      | 1    |     |
| 342  | 532182682 | BELT GUIDE      |                                      | 1    |     |
| 351  | 532436998 | BRACKET         |                                      | 1    |     |
| 352  | 532435645 | BRACKET         |                                      | 1    |     |
| 355  | 532435669 | STRAP           |                                      | 1    |     |
| 360  | 532444714 | NUT             |                                      | 1    |     |
| 359  | 817490610 | SCREW           |                                      | 1    |     |
| 362  | 532436812 | IDLER           |                                      | 1    |     |

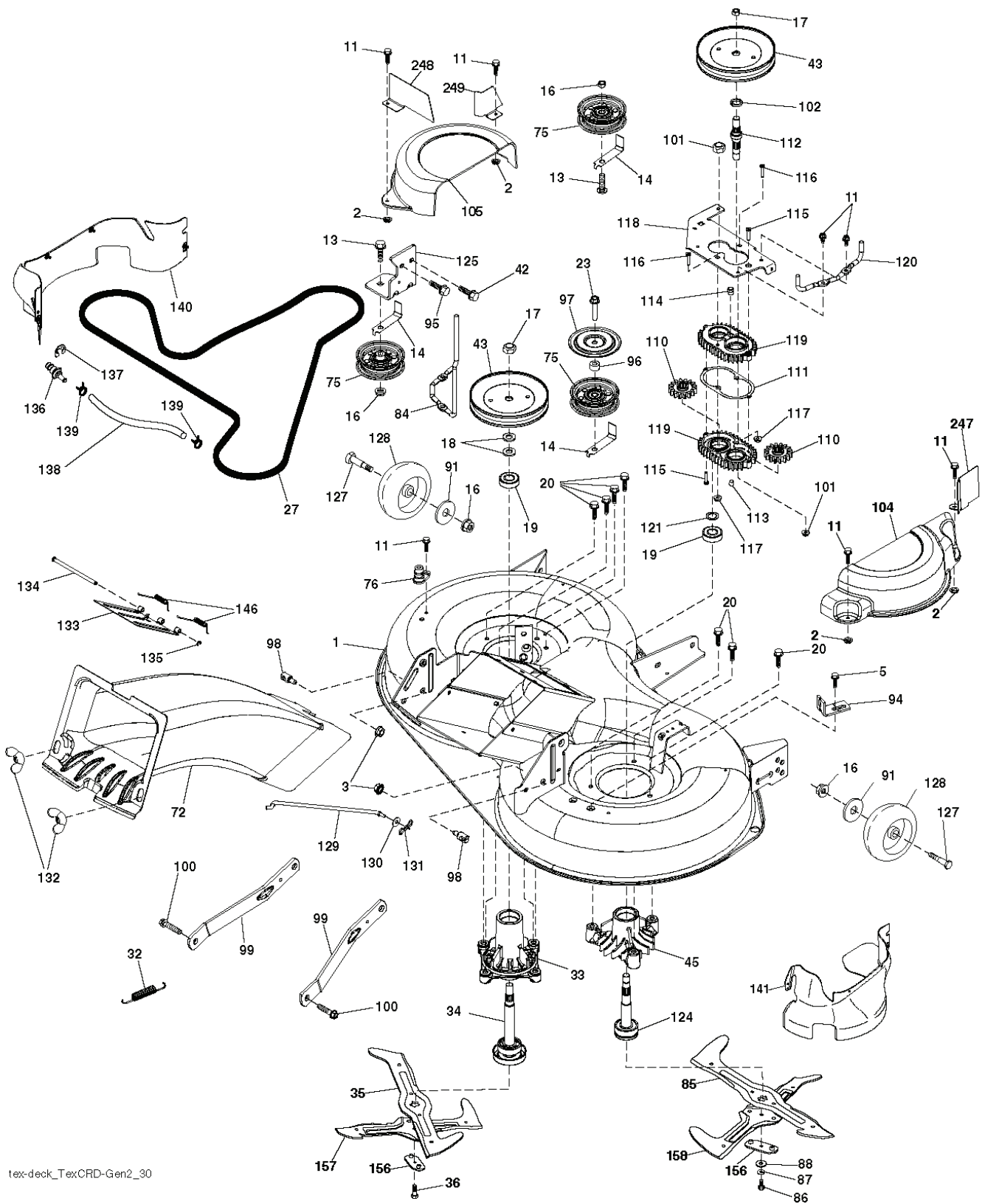
---

| REF. | PART NO.  | DESCRIPTION | REMARK | QTY. | KIT |
|------|-----------|-------------|--------|------|-----|
| 363  | 532442780 | SPACER      |        | 1    |     |
| 364  | 532443032 | BRACKET     |        | 1    |     |



---

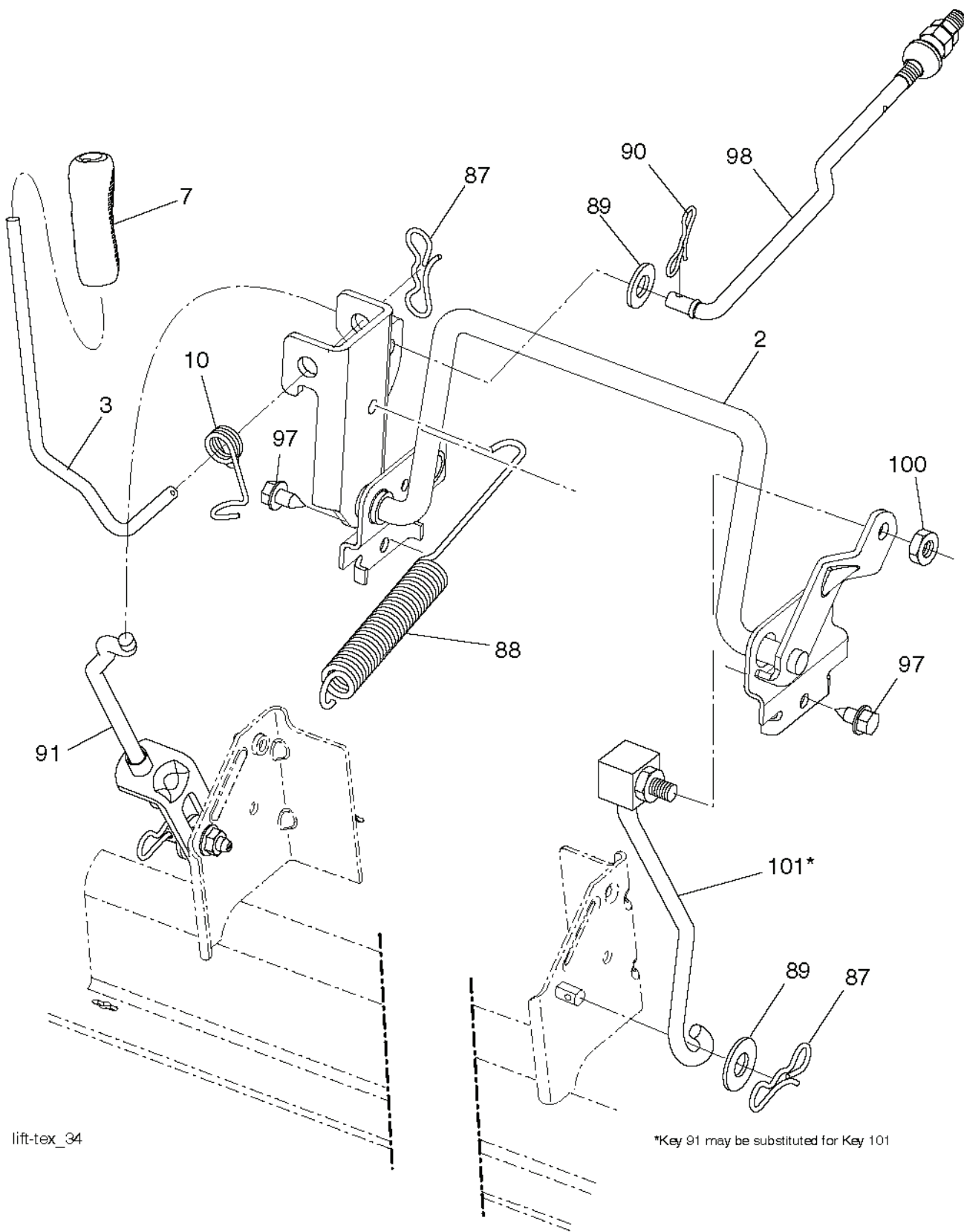
| REF. | PART NO.  | DESCRIPTION     | REMARK | QTY. | KIT |
|------|-----------|-----------------|--------|------|-----|
| 1    | 532437157 | BATTERY         |        | 1    |     |
| 2    | 532440923 | SCREW           |        | 1    |     |
| 16   | 532176138 | MICRO SWITCH    |        | 1    |     |
| 21   | 532400252 | HARNESS         |        | 1    |     |
| 22   | 532004152 | BULB            |        | 1    |     |
| 25   | 532441383 | CABLE           |        | 1    |     |
| 26   | 532175158 | FUSE            |        | 1    |     |
| 27   | 873510400 | NUT             |        | 1    |     |
| 28   | 532441832 | SUPPORT         |        | 1    |     |
| 29   | 532401545 | SWITCH          |        | 1    |     |
| 30   | 532193350 | IGNITION MODULE |        | 1    |     |
| 33   | 532411935 | KEY             |        | 1    |     |
| 34   | 532110712 | SWITCH          |        | 1    |     |
| 40   | 532448036 | HARNESS         |        | 1    |     |
| 43   | 532192507 | SOLENOID        |        | 1    |     |
| 46   | 532401763 | DISPLAY         |        | 1    |     |
| 50   | 532174651 | SWITCH          |        | 1    |     |
| 55   | 817060512 | SCREW           |        | 1    |     |
| 71   | 580688901 | HARNESS         |        | 1    |     |
| 75   | 532444534 | SWITCH          |        | 1    |     |
| 79   | 532175242 | HOLDER          |        | 1    |     |
| 83   | 532436774 | NUT             |        | 1    |     |
| 99   | 817720408 | SCREW           |        | 1    |     |
| 102  | 532441262 | HARNESS ASSY    |        | 1    |     |
| 105  | 532407568 | SWITCH          |        | 1    |     |
| 107  | 532180379 | SWITCH FBI      |        | 1    |     |
| 108  | 532421062 | SWITCH          |        | 1    |     |
| 142  | 532448057 | HARNESS         |        | 1    |     |



| REF. | PART NO.  | DESCRIPTION     | REMARK | QTY. | KIT |
|------|-----------|-----------------|--------|------|-----|
| 1    | 532448209 | DECK FRAME      |        | 1    |     |
| 2    | 532423062 | NUT             |        | 1    |     |
| 3    | 873900500 | NUT             | RH     | 1    |     |
| 5    | 817000510 | BOLT            |        | 1    |     |
| 11   | 532137729 | SCREW           |        | 1    |     |
| 13   | 872110612 | BOLT            |        | 1    |     |
| 14   | 532156085 | BELT GUIDE      |        | 1    |     |
| 16   | 873900600 | NUT             |        | 1    |     |
| 17   | 532400234 | NUT             |        | 1    |     |
| 18   | 532187690 | WASHER          |        | 1    |     |
| 19   | 532110485 | BEARING         |        | 1    |     |
| 20   | 532173984 | SCREW           |        | 1    |     |
| 23   | 817490628 | SCREW           |        | 1    |     |
| 27   | 532445886 | BELT            |        | 1    |     |
| 32   | 532446205 | SPRING          |        | 1    |     |
| 33   | 532187281 | BEARING HOUSING |        | 1    |     |
| 34   | 532192872 | SHAFT ASSY      |        | 1    |     |
| 35   | 532180583 | BLADE           |        | 1    |     |
| 36   | 532193003 | SCREW           |        | 1    |     |
| 42   | 817000512 | SCREW           |        | 1    |     |
| 43   | 532443239 | PULLEY          |        | 1    |     |
| 45   | 532137152 | BEARING HOUSING |        | 1    |     |
| 72   | 532443903 | CHUTE           |        | 1    |     |
| 75   | 532131494 | PULLEY          |        | 1    |     |
| 76   | 532439640 | PORT            |        | 1    |     |
| 84   | 532443235 | KEEPER          |        | 1    |     |
| 85   | 532180584 | BLADE           |        | 1    |     |
| 86   | 532181713 | BOLT            |        | 1    |     |
| 87   | 810030600 | WASHER          |        | 1    |     |
| 88   | 532140296 | WASHER          |        | 1    |     |
| 91   | 819132012 | WASHER          |        | 1    |     |
| 94   | 532197250 | BRACKET         |        | 1    |     |
| 95   | 817000612 | SCREW           |        | 1    |     |
| 96   | 532400271 | SPACER          |        | 1    |     |
| 97   | 532182061 | PROTECTOR       |        | 1    |     |
| 98   | 532195161 | STUD            |        | 1    |     |
| 99   | 532195186 | ARM             |        | 1    |     |
| 100  | 532196539 | BOLT            |        | 1    |     |
| 101  | 873680900 | NUT             |        | 1    |     |
| 102  | 532402511 | SPACER          |        | 1    |     |
| 104  | 581714001 | COVER           |        | 1    |     |
| 105  | 532444755 | COVER           |        | 1    |     |
| 110  | 532415356 | GEAR            |        | 1    |     |
| 111  | 532436979 | GASKET          |        | 1    |     |
| 112  | 532443852 | SHAFT           |        | 1    |     |
| 113  | 532438533 | PLUG            |        | 1    |     |
| 114  | 532438534 | VALVE           |        | 1    |     |
| 115  | 818031016 | SCREW           |        | 1    |     |
| 116  | 872110414 | BOLT            |        | 1    |     |
| 117  | 873900400 | NUT             |        | 1    |     |
| 118  | 532443232 | ARM             |        | 1    |     |
| 119  | 532438166 | GEARCASE        |        | 1    |     |
| 120  | 532443236 | KEEPER          |        | 1    |     |
| 121  | 532436985 | WASHER          |        | 1    |     |
| 124  | 532436986 | SHAFT           |        | 1    |     |
| 125  | 532440420 | BRACKET         |        | 1    |     |
| 127  | 532193406 | BOLT            |        | 1    |     |
| 128  | 532174873 | WHEEL           |        | 1    |     |
| 129  | 532443237 | ROD             |        | 1    |     |
| 130  | 819131312 | WASHER          |        | 1    |     |
| 131  | 532194208 | PIN             |        | 1    |     |
| 132  | 532178899 | KNOB            |        | 1    |     |
| 133  | 532438197 | COVER           |        | 1    |     |
| 134  | 532435861 | PEN             |        | 1    |     |
| 135  | 532437988 | RING            |        | 1    |     |
| 136  | 532439639 | PLUG            |        | 1    |     |
| 137  | 812000029 | RETAINER RING   |        | 1    |     |
| 138  | 532447667 | HOSE            |        | 1    |     |
| 139  | 532440742 | CLAMP           |        | 1    |     |
| 140  | 580369901 | GUARD           |        | 1    |     |
| 141  | 532447703 | GUARD           |        | 1    |     |
| 146  | 532445896 | SPRING          |        | 1    |     |
| 156  | 532446995 | ADAPTER         |        | 1    |     |
| 157  | 532446993 | BLADE           |        | 1    |     |
| 158  | 532180425 | BLADE           |        | 1    |     |
| 247  | 581263402 | GUARD           |        | 1    |     |
| 248  | 581263602 | GUARD           |        | 1    |     |
| 249  | 581263502 | GUARD           |        | 1    |     |

---

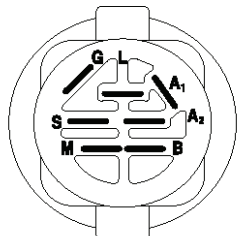
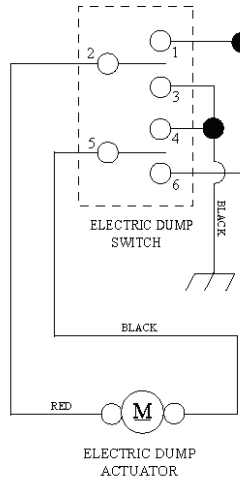
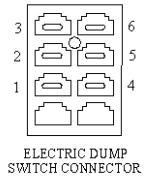
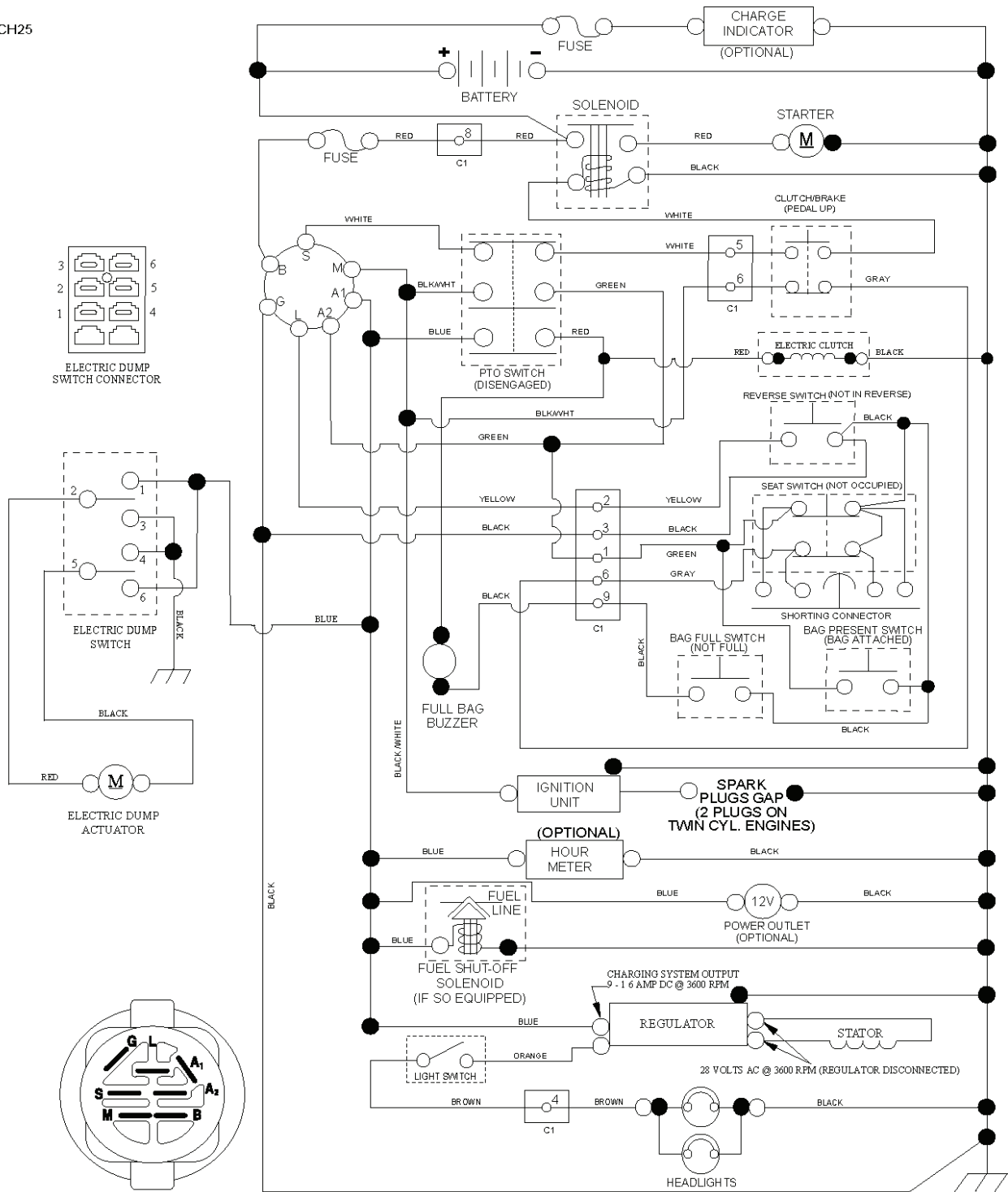
| REF. | PART NO.  | DESCRIPTION  | REMARK   | QTY. | KIT |
|------|-----------|--------------|--|------|-----|
| --   | 532192870 | SPINDLE      | NOT SHOWN  | 1    |     |
| --   | 532447319 | CUTTING DECK | "Includes housing, shaft assembly, and bearing only - pulley/nut/washer and blade bolt/washers not included" | 1    |     |



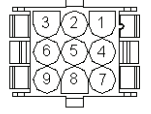
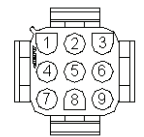
---

| REF. | PART NO.  | DESCRIPTION | REMARK | QTY. | KIT |
|------|-----------|-------------|--------|------|-----|
| 2    | 532436996 | SHAFT       | RH     | 1    |     |
| 3    | 532195231 | LEVER       | RH     | 1    |     |
| 7    | 532411555 | GRIP        |        | 1    |     |
| 10   | 532196314 | SPRING      |        | 1    |     |
| 87   | 532194209 | SPRING      |        | 1    |     |
| 88   | 532445496 | SPRING      |        | 1    |     |
| 89   | 819191912 | WASHER      |        | 1    |     |
| 90   | 532194208 | PIN         |        | 1    |     |
| 91   | 532195181 | LINK        |        | 1    |     |
| 97   | 817490608 | SCREW       |        | 1    |     |
| 98   | 532195270 | LINK        |        | 1    |     |
| 100  | 873930600 | NUT         |        | 1    |     |
| 101  | 532407003 | LINK        |        | 1    |     |

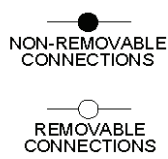
SCH25



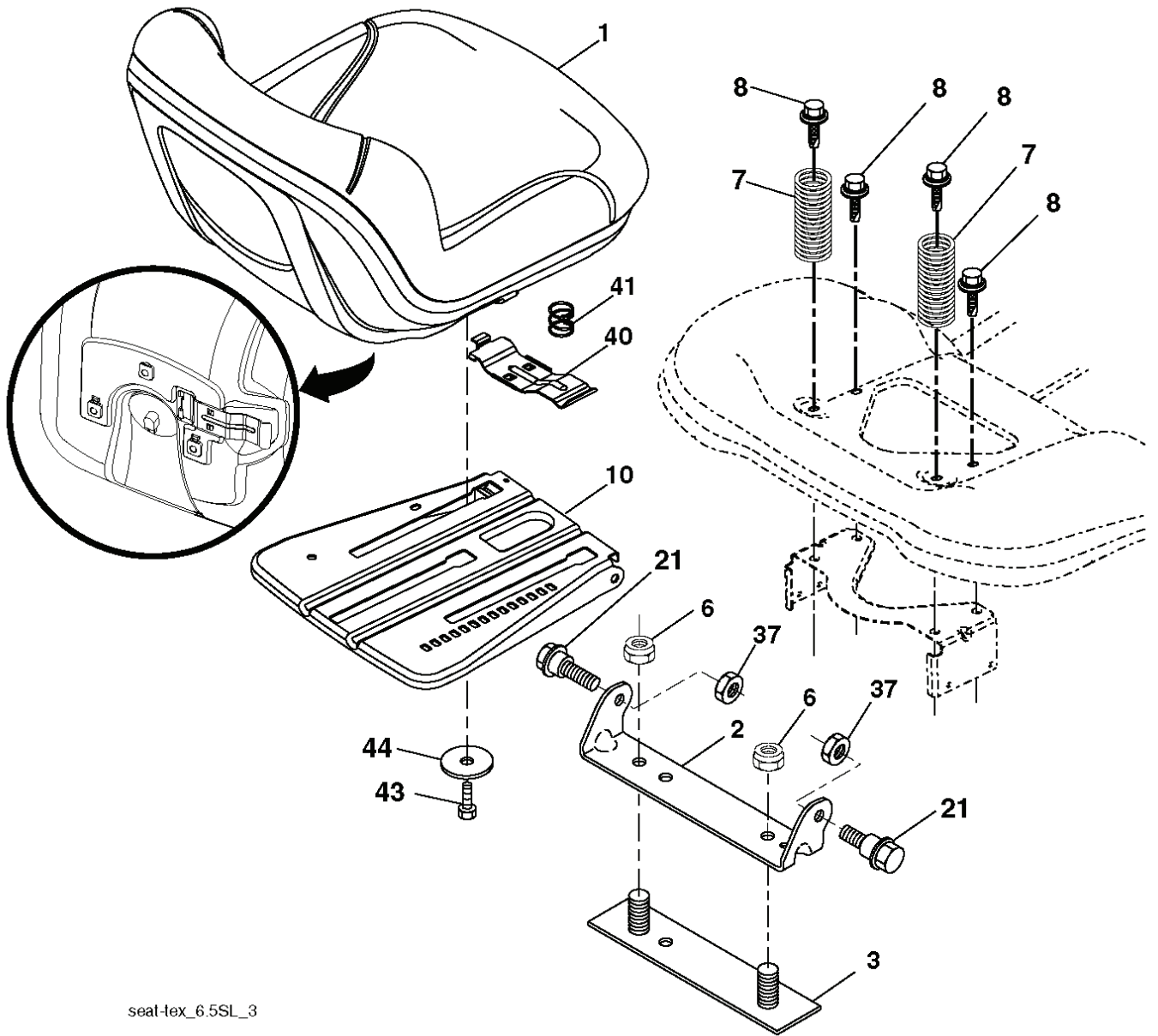
| POSITION     | CIRCUIT | "MAKE" |
|--------------|---------|--------|
| OFF          | M+G+A1  |        |
| RUN/OVERRIDE | B+A1    |        |
| RUN          | B+A1    | L+A2   |
| START        | B+S+A1  |        |



WIRING INSULATED CLIPS  
 NOTE: IF WIRING INSULATED CLIPS WERE REMOVED FOR SERVICING OF UNIT, THEY SHOULD BE RE-INSTALLED TO PROPERLY SECURE YOUR WIRING.



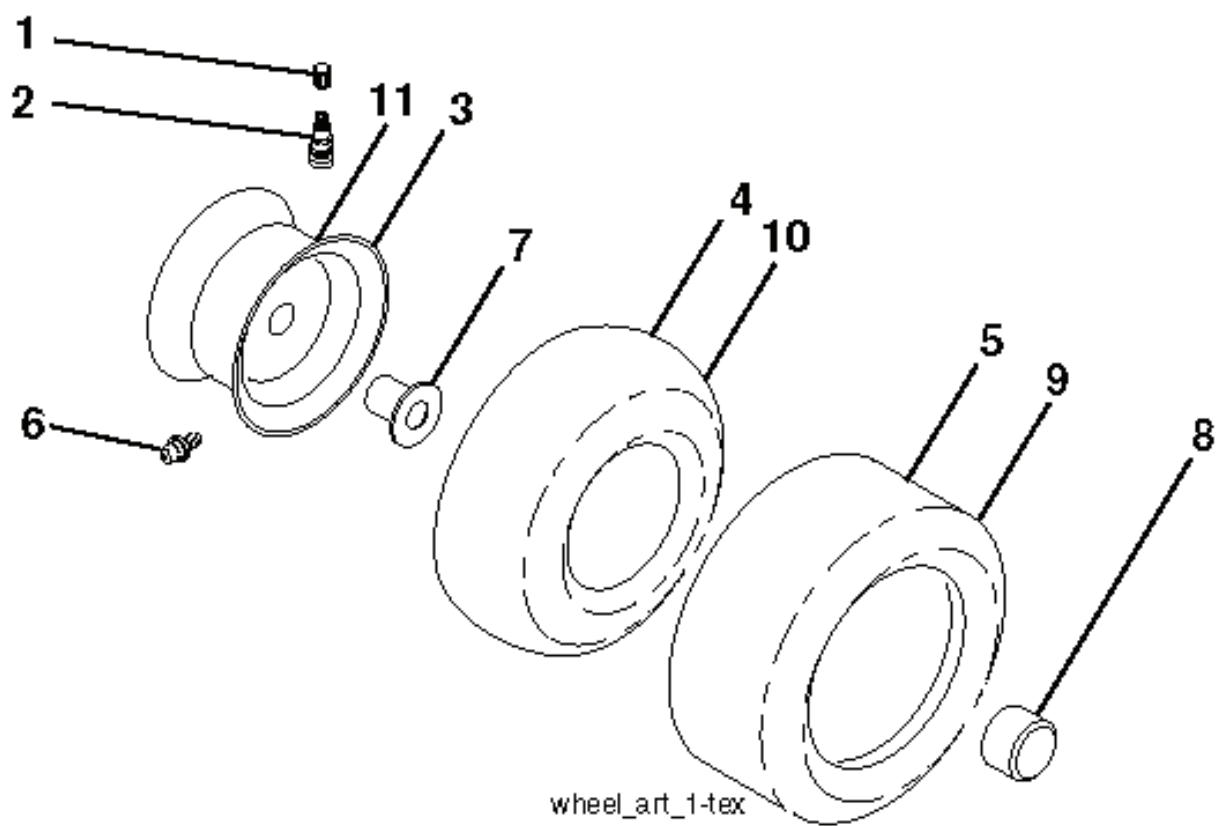




seat-lex\_6.5SL\_3

---

| REF. | PART NO.  | DESCRIPTION | REMARK | QTY. | KIT |
|------|-----------|-------------|--------|------|-----|
| 1    | 532439822 | SEAT        |        | 1    |     |
| 2    | 532180166 | BRACKET     |        | 1    |     |
| 3    | 532140675 | STRAP       |        | 1    |     |
| 6    | 873800600 | NUT         |        | 1    |     |
| 7    | 532124181 | SPRING      |        | 1    |     |
| 8    | 532171877 | BOLT        |        | 1    |     |
| 10   | 532196977 | PLATE       |        | 1    |     |
| 21   | 532171852 | BOLT        |        | 1    |     |
| 37   | 873800500 | LOCK NUT    |        | 1    |     |
| 40   | 532197661 | HANDLE      |        | 1    |     |
| 41   | 532198200 | SPRING      |        | 1    |     |
| 43   | 874760612 | BOLT        |        | 1    |     |
| 44   | 819133812 | WASHER      |        | 1    |     |



wheel\_art\_1-tex

| REF. | PART NO.  | DESCRIPTION  | REMARK              | QTY. | KIT |
|------|-----------|--------------|---------------------|------|-----|
| 1    | 532059192 | CAP VALVE    |                     | 1    |     |
| 2    | 532065139 | NIPPLE       |                     | 1    |     |
| 3    | 532138336 | RIM          | Front 6"            | 1    |     |
| 4    | 532059904 | HOSE         | (Service Item Only) | 1    |     |
| 5    | 532106222 | TIRE         | Front 15" x 6.0"-6" | 1    |     |
| 6    | 532124957 | FITTING      | (Front Wheel Only)  | 1    |     |
| 7    | 532124959 | BEARING      | (Front Wheel Only)  | 1    |     |
| 8    | 532175039 | HUB CAP      |                     | 1    |     |
| 9    | 532420531 | TIRE         | Rear 18" x 9.5"-8"  | 1    |     |
| 10   | 532124926 | HOSE         | (Service Item Only) | 1    |     |
| 11   | 532138337 | RIM SPROCKET | Rear 8"             | 1    |     |
|      | 532144334 | SEALING FOAM |                     | 1    |     |
|      | PART NO.  |              | REMARK              |      | KIT |