

Illustrated Parts List - IPL Update

Product Name(s)

550XP/XPG

Description of change

1. Silicon for sealing cylinder with crankcase, added .
2. New bellow for the throttle cable, assy. This to extend the life length for the cable, assy.
3. New fuel tank ventilation kit. Due to warm start problem.

Comments

This update is fully exchangeable.

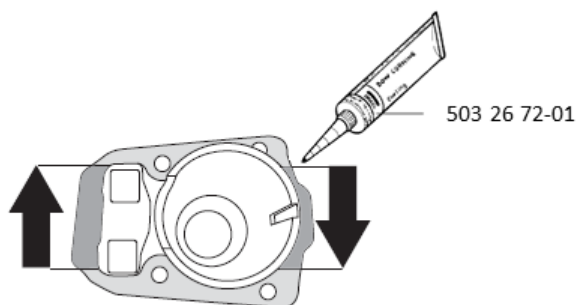
Introduced from

Serial number / Date	Remark
20142400001	Silicon 503 26 72-01 added.
20144601153	Grommet/bellow 581 55 92-01.
20144300001	Fuel tank ventilation kit 587 64 54-02.

IPL updates

Page Title	Ref. no	New part no	Name	Excl. part no.	Remark
Accessories	16	5032672-01	Glue (Silicon)		
Crankcase	4	5815592-01	Bellow/ Grommet	5370883-01	Remain as spare part for other products.
Carburetor & air filter	9	5876454-02	Fuel tank ventilation kit	5253443-02	

1. Cylinder sealing area.



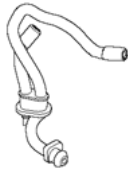
2. Grommet/bellow.



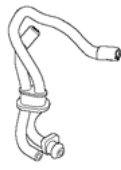
Illustrated Parts List - IPL Update



3. Fuel tank ventilation kit.



587 64 54-02



525 34 43-02