

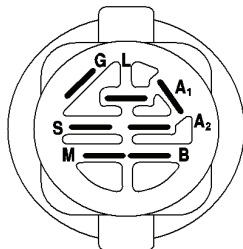
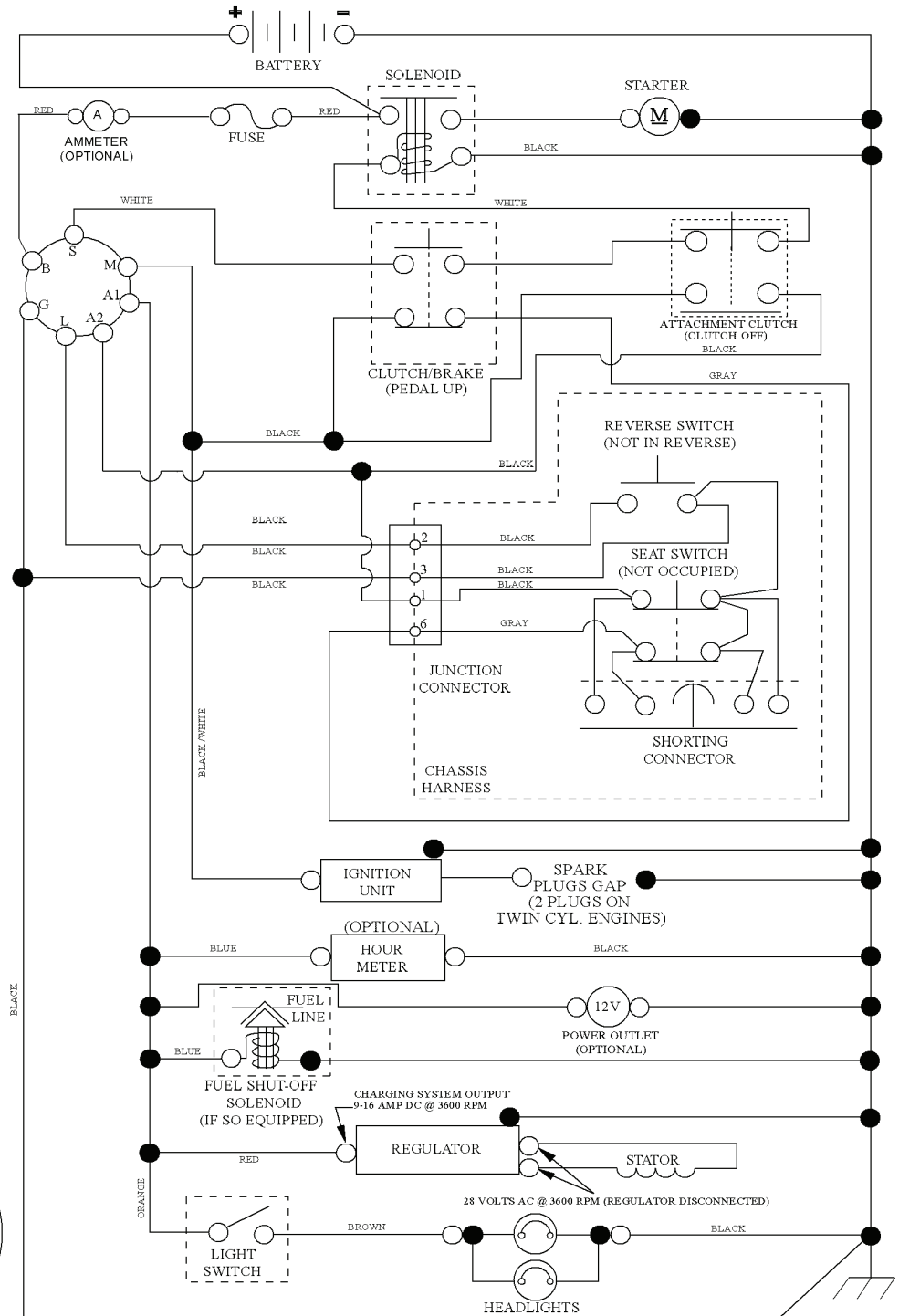
LTH151, 96041001903, 2008-01

---

# **SPARE PARTS LIST**

# TRACTOR - - MODEL NUMBER LTH151 (96041001903), PRODUCT NO. 960 41 00-19 SCHEMATIC

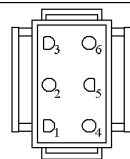
SCH10



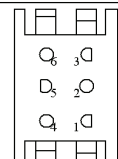
IGNITION SWITCH

POSITION	CIRCUIT	"MAKE"
OFF	M+G+A1	
RUN/OVERRIDE	B+A1	
RUN	B+A1	L+A2
START	B + S + A1	

03107



CHASSIS HARNESS CONNECTOR (MATING SIDE)



DASH HARNESS CONNECTOR (MATING SIDE)

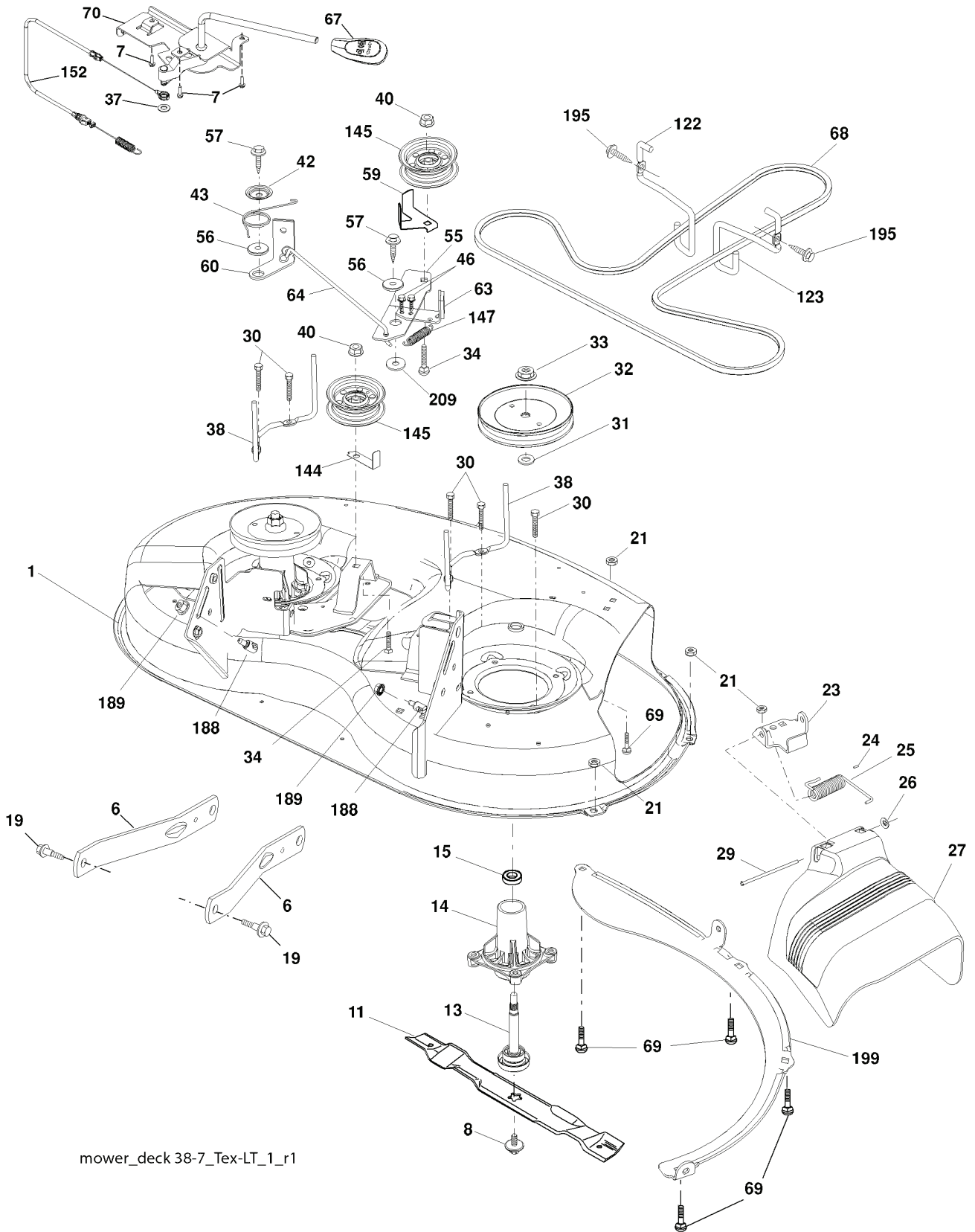
WIRING INSULATED CLIPS  
NOTE: IF WIRING INSULATED CLIPS WERE REMOVED FOR SERVICING OF UNIT, THEY SHOULD BE RE-INSTALLED TO PROPERLY SECURE YOUR WIRING.

NON-REMOVABLE CONNECTIONS

REMOVABLE CONNECTIONS



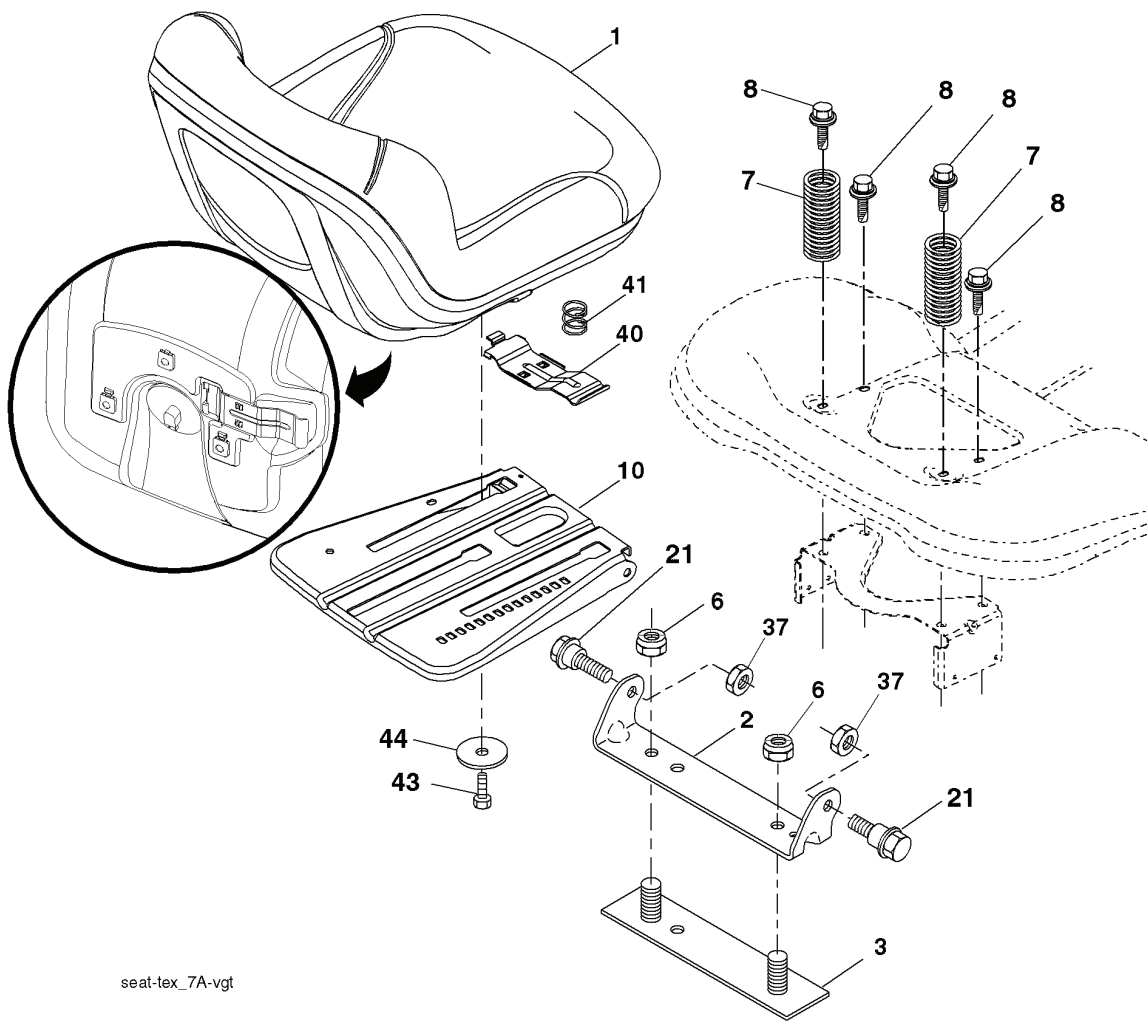
**TRACTOR - - MODEL NUMBER LTH151 (96041001903), PRODUCT NO. 960 41 00-19**  
**MOWER DECK**



mower\_deck 38-7\_Tex-LT\_1\_r1

REF.	PART NO.	DESCRIPTION	REMARK	QTY.	KIT
1	532194251	HOUSING		1	
6	532195186	ARM		1	
7	532191611	SCREW		1	
8	532193003	SCREW		1	
11	532193957	RIDE ON BLADE		1	
13	532192872	SHAFT ASSY		1	
14	532187281	BEARING HOUSING		1	
15	532110485	BEARING		1	
19	532196539	BOLT		1	
21	873680500	NUT		1	
23	532192557	HINGE		1	
24	532105304	HUB CAP		1	
25	532197026	TORSION SPRING		1	
26	532110452	NUT		1	
27	532401472	DEFLECTOR		1	
29	532131491	SHAFT		1	
30	532173984	SCREW		1	
31	532187690	WASHER		1	
32	532199789	PULLEY		1	
33	532400234	NUT		1	
34	872110612	BOLT		1	
37	819131316	WASHER		1	
38	532199541	BELT GUIDE		1	
40	873900600	NUT		1	
42	532198410	SPRING		1	
43	532197256	SPRING		1	
46	532137729	SCREW		1	
55	532197249	ARM		1	
56	532199092	SPACER		1	
57	817000616	SCREW		1	
59	532141043	GUARD		1	
60	532199471	ARM		1	
63	532199470	ARM		1	
64	532199790	LINK		1	
67	532403012	HANDLE		1	
68	532408381	BELT		1	
69	872140505	BOLT		1	
70	532401246	CLUTCH		1	
122	532197258	BELT GUIDE		1	
123	532197259	BELT GUIDE		1	
144	532193414	BELT GUIDE		1	
145	532193197	PULLEY		1	
147	532401872	SPRING		1	
152	532408714	CABLE		1	
188	532195161	STUD		1	
189	873900500	NUT		1	
195	817000612	SCREW		1	
199	532400095	BAFFLE		1	
209	819133210	WASHER		1	
-	532192870	SPINDLE		1	
-	532400422	CUTTING DECK		1	

**TRACTOR - - MODEL NUMBER LTH151 (96041001903), PRODUCT NO. 960 41 00-19  
SEAT ASSEMBLY**



seat-tex\_7A-vgt

---

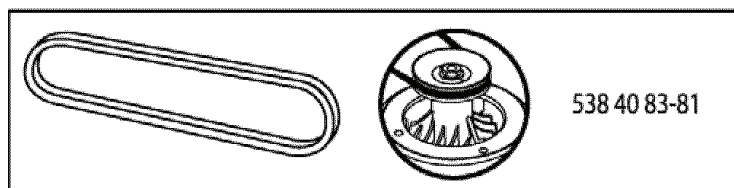
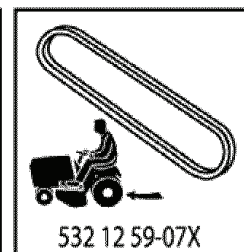
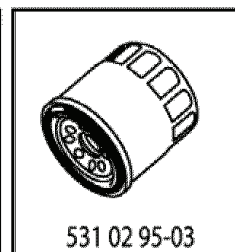
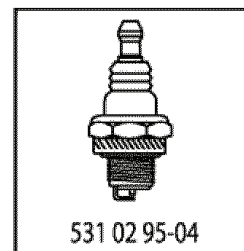
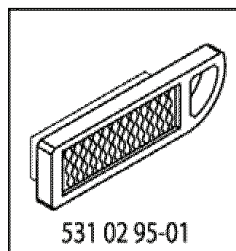
REF.	PART NO.	DESCRIPTION	REMARK	QTY.	KIT
1	532197518	SEAT		1	
2	532180166	BRACKET		1	
3	532140675	STRAP		1	
6	873800600	NUT		1	
7	532124181	SPRING		1	
8	532171877	BOLT		1	
10	532196977	PLATE		1	
21	532171852	BOLT		1	
37	873800500	LOCK NUT		1	
40	532197661	HANDLE		1	
41	532198200	SPRING		1	
43	874760612	BOLT		1	
44	819133812	WASHER		1	

# ILLUSTRATED PARTS LIST

**MODEL NO. 96041001903**

**CUSTOMER CATALOG NO. LTH151**

**PRODUCT NO. 960 41 00-19**

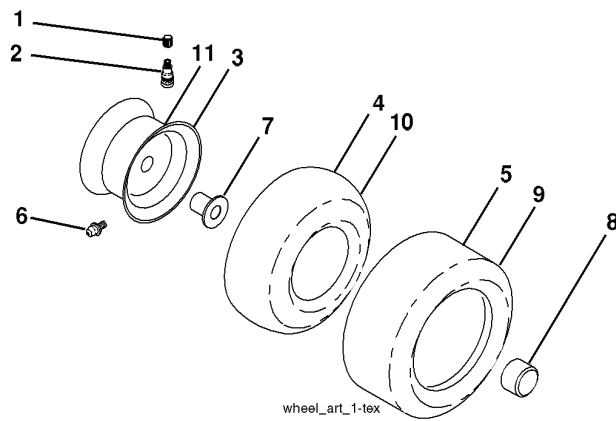


---

REF.	PART NO.	DESCRIPTION	REMARK	QTY.	KIT
531 02 95-01	531029501	AIR FILTER		1	
531 02 95-02	531029502	FILTER		1	
532 19 39-57	532193957	RIDE ON BLADE		1	
531 02 95-03	531029503	FILTER		1	
531 02 95-04	531029504	SPARK PLUG		1	

**TRACTOR - - MODEL NUMBER LTH151 (96041001903), PRODUCT NO. 960 41 00-19**

**WHEELS AND TIRES**



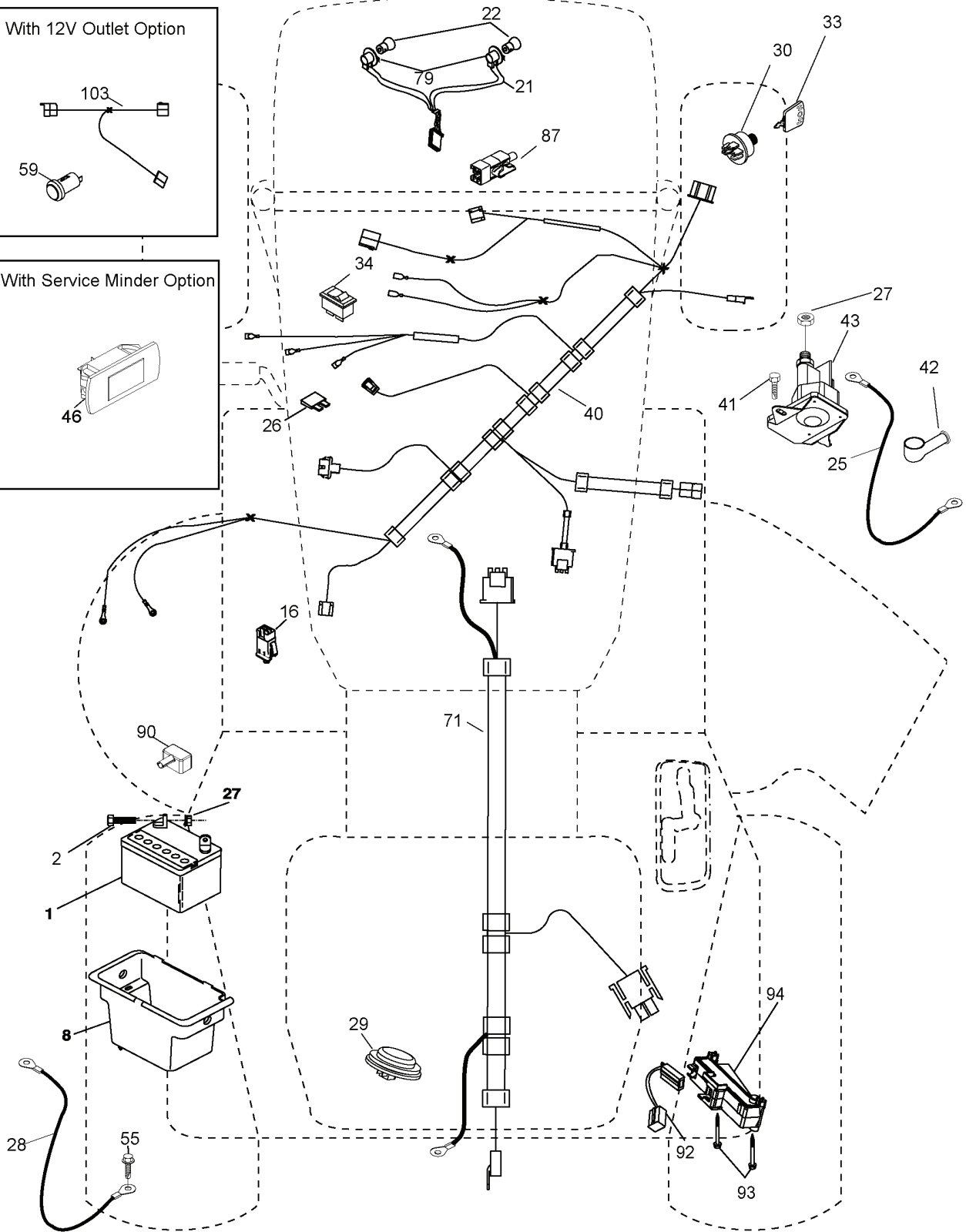
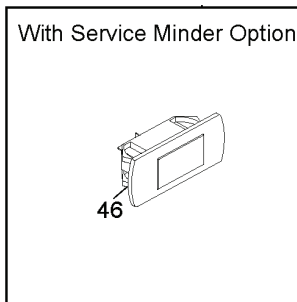
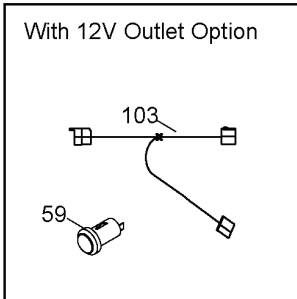
wheel\_art\_1-tex

---

REF.	PART NO.	DESCRIPTION	REMARK	QTY.	KIT
1	532059192	CAP VALVE		1	
2	532065139	NIPPLE		1	
3	532138336	RIM		1	
4	532059904	HOSE		1	
5	532106222	TIRE		1	
6	532124957	FITTING		1	
7	532124959	BEARING		1	
8	532175039	HUB CAP		1	
9	532106268	TIRE		1	
-	532420531	TIRE		1	
10	532124926	HOSE		1	
11	532138337	RIM SPROCKET		1	
-	532144334	SEALING FOAM		1	

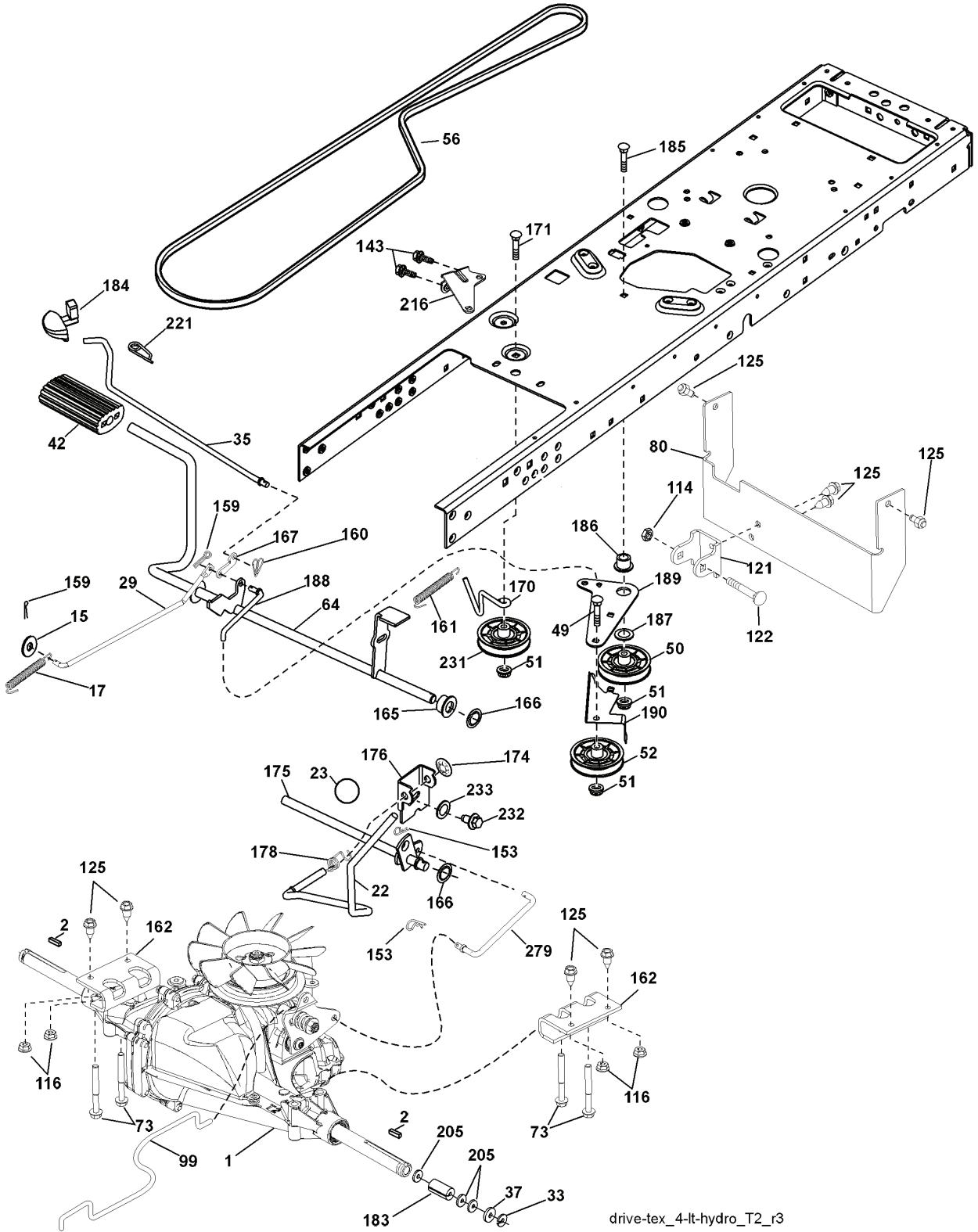
# TRACTOR - - MODEL NUMBER LTH151 (96041002003), PRODUCT NO. 960 41 00-20 ELECTRICAL

T02S



REF.	PART NO.	DESCRIPTION	REMARK	QTY.	KIT
1	532163465	BATTERY		1	
2	874760412	BOLT		1	
8	532193228	BOX		1	
16	532176138	MICRO SWITCH		1	
21	532400252	HARNESS		1	
22	532004152	BULB		1	
25	532412894	CABLE.STARTER.GGA.BL/R*SUBS/2*		1	
26	532175158	FUSE		1	
27	873510400	NUT		1	
28	532198885	CABLE		1	
29	532401545	SWITCH		1	
30	532193350	IGNITION MODULE		1	
33	532411935	KEY		1	
34	532110712	SWITCH		1	
40	532401098	CABLE		1	
41	817720408	SCREW		1	
42	532131563	COVER		1	
43	532192507	SOLENOID		1	
55	817060512	SCREW		1	
71	532400449	CABLE		1	
79	532175242	HOLDER		1	
87	532197802	SWITCH		1	
90	532400725	COVER		1	
92	532196615	CABLE ASSY		1	
93	532192540	SCREW		1	
94	532191834	MODULE.REVERSE.ROS		1	

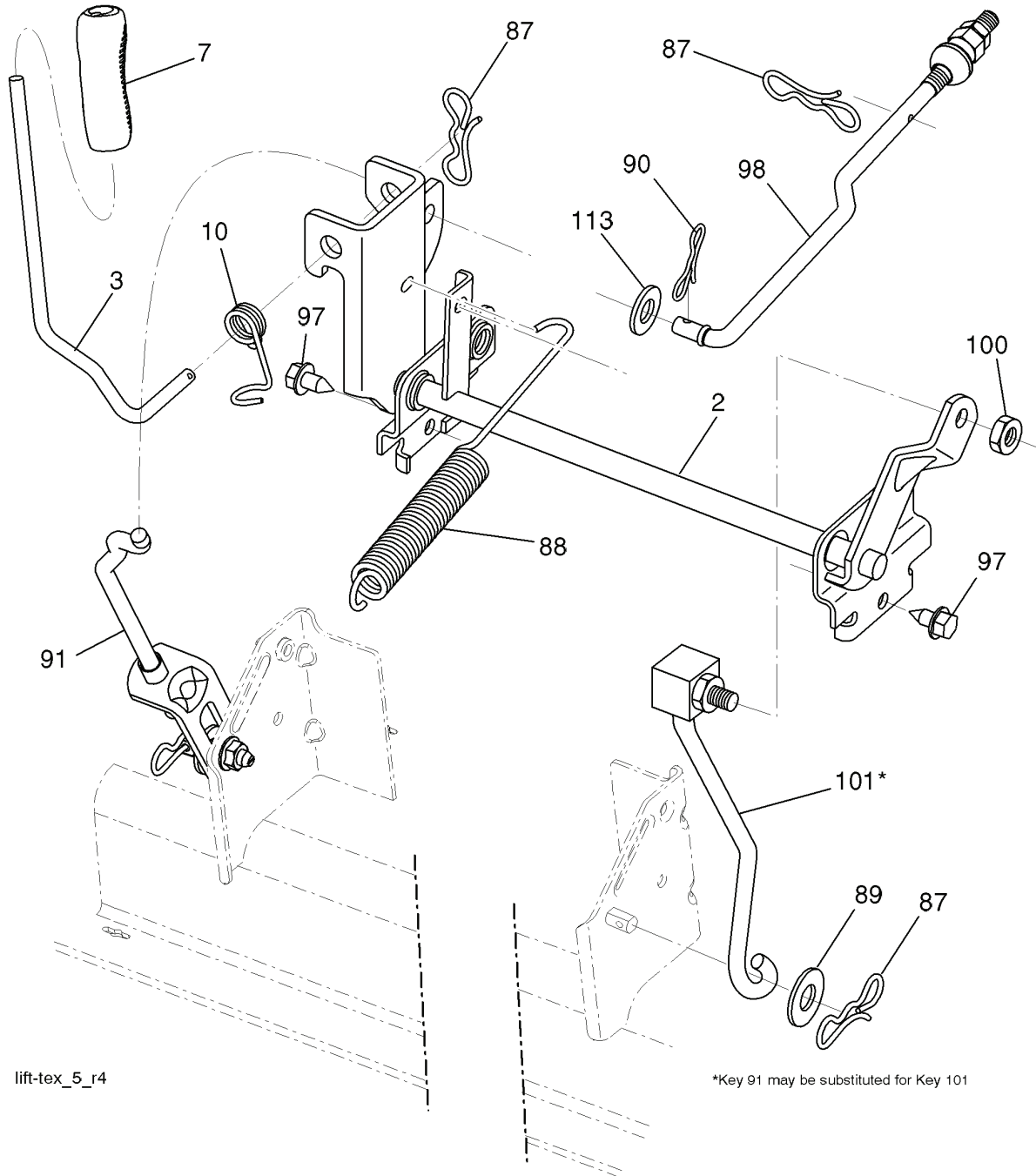
**TRACTOR - - MODEL NUMBER LTH151 (96041001903), PRODUCT NO. 960 41 00-19  
DRIVE**



drive-tex\_4-lt-hydro\_T2\_r3

REF.	PART NO.	DESCRIPTION	REMARK	QTY.	KIT
2	532123583	KEY		1	
15	819131316	WASHER		1	
17	532197296	SPRING		1	
22	532197660	ROD		1	
23	532121274	KNOB		1	
29	532408391	ROD		1	
33	812000001	RETAINER RING		1	
35	532401031	ROD		1	
37	532121748	WASHER		1	
42	532124872	PEDAL RUBBER		1	
49	872110614	BOLT		1	
50	532194327	PULLEY		1	
51	873900600	NUT		1	
52	532194326	PULLEY		1	
56	532125907	BELT		1	
64	532196200	SHAFT		1	
73	874490544	SCREW		1	
80	532408393	STRAP.TORQUE.FS.T2	*SUBS/2*	1	
99	532408418	ROD		1	
114	873800500	LOCK NUT		1	
116	873900500	NUT		1	
121	532175611	CHAPPE DE FIXATION		1	
122	872010520	BOLT		1	
125	817000512	SCREW		1	
143	817490508	SCREW		1	
153	532124788	RETAINER RING		1	
159	876020412	SPLIT PIN		1	
160	532169484	PIN		1	
161	532105709	SPRING		1	
162	532408784	ADAPTER.TRANSAXLE.T2.T*	SUBS/2*	1	
165	532196212	BUSHING		1	
166	532197290	NUT		1	
167	532405257	LATCH		1	
170	532413430	BELT GUIDE		1	
171	872110622	BOLT		1	
174	532197289	NUT		1	
175	532408539	SHAFT		1	
176	532196214	ARM		1	
178	532197456	SPRING		1	
183	532156972	SPACER		1	
184	532409747	KNOB		1	
185	872110620	BOLT		1	
186	532194321	SPACER		1	
187	819133210	WASHER		1	
188	532194323	LINK		1	
189	532194317	PLATE		1	
190	532194318	BELT GUIDE		1	
205	532121748	WASHER		1	
216	532196131	BRACKET		1	
221	532403187	SPRING		1	
231	532407287	PULLEY		1	
232	874780716	BOLT		1	
233	532405296	WASHER		1	
279	532408538	LINK.SHIFT.T2.TEX	*SUBS/2*	1	

**TRACTOR - - MODEL NUMBER LTH151 (96041001903), PRODUCT NO. 960 41 00-19  
MOWER LIFT**

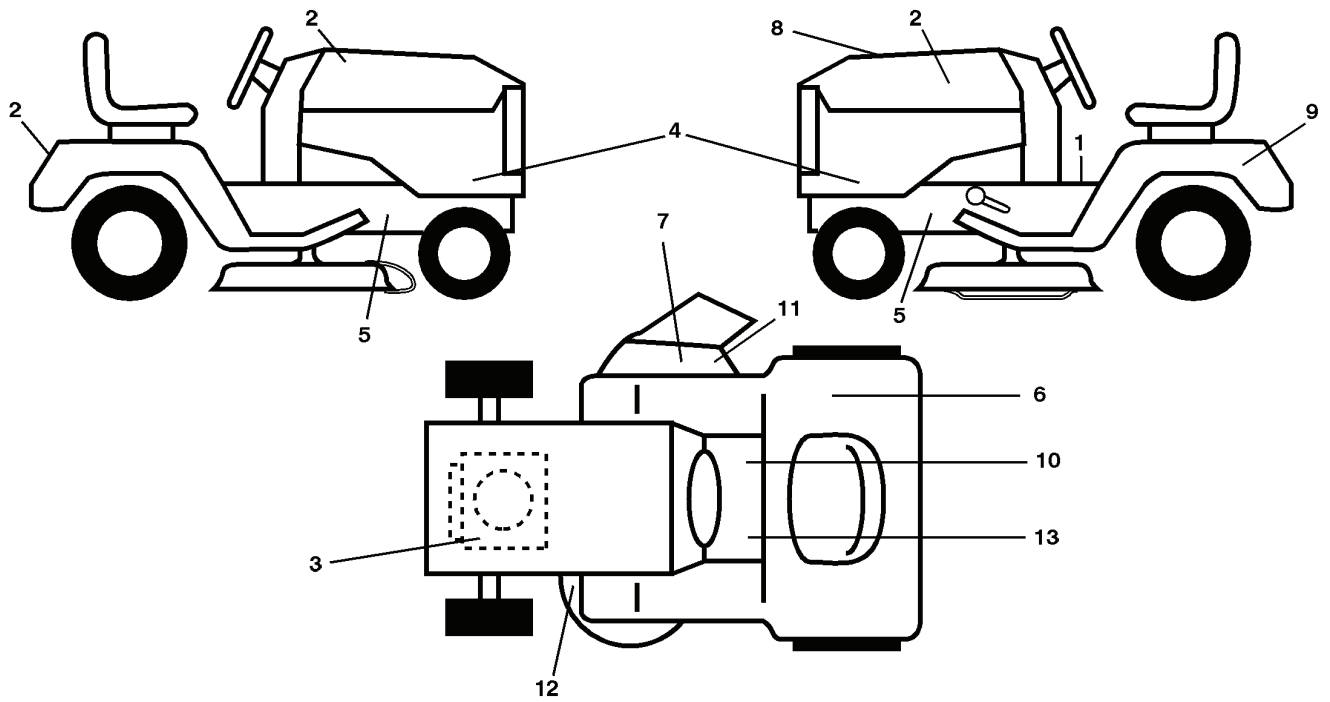


lift-tex\_5\_r4

---

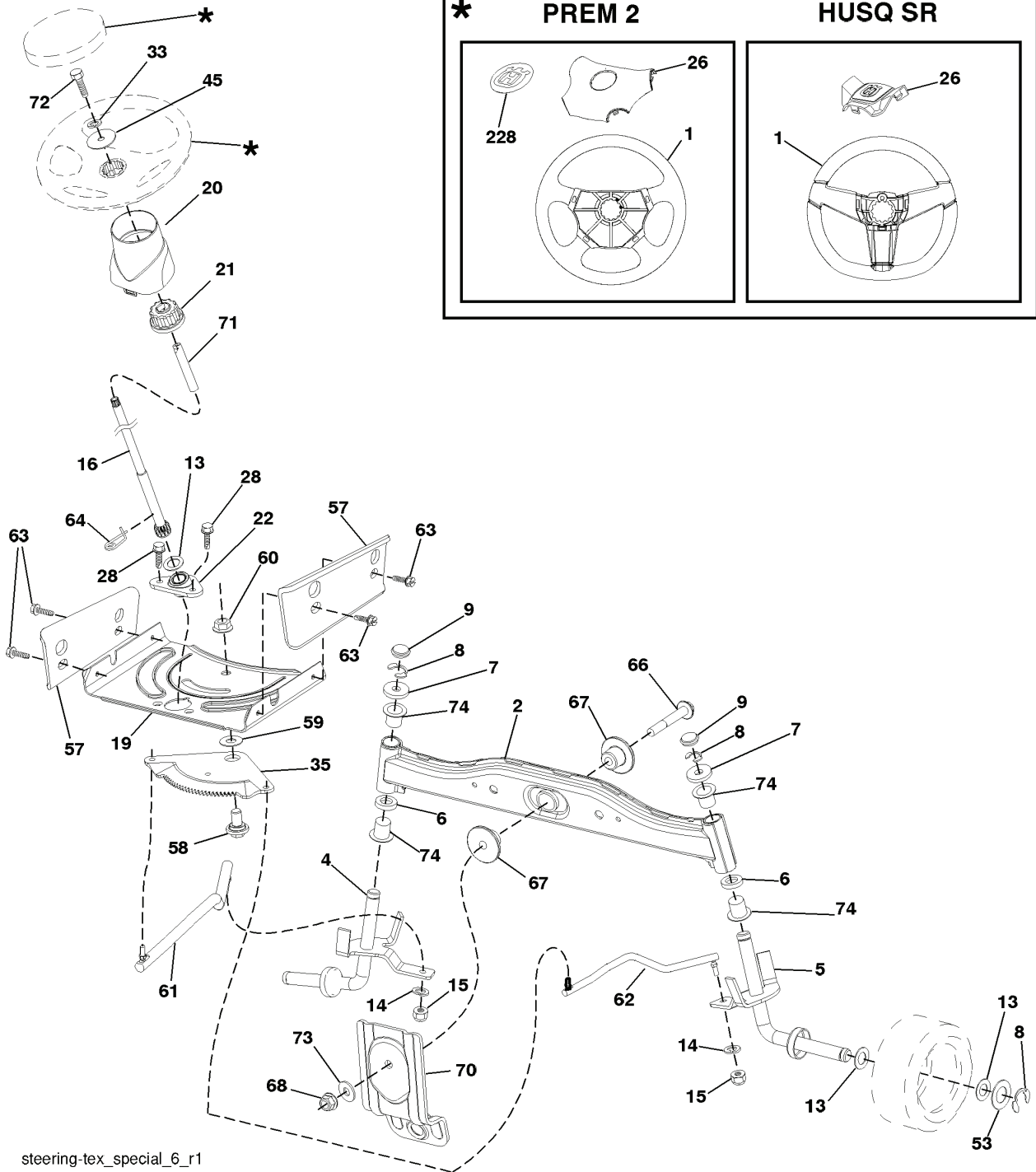
REF.	PART NO.	DESCRIPTION	REMARK	QTY.	KIT
2	532195223	SHAFT		1	
3	532195231	LEVER		1	
7	532411555	GRIP		1	
10	532196314	SPRING		1	
87	532194209	SPRING		1	
88	532410710	SPRING		1	
89	819191912	WASHER		1	
90	532194208	PIN		1	
91	532195181	LINK		1	
97	817060612	SCREW		1	
98	532195270	LINK		1	
100	873930600	NUT		1	

**TRACTOR - - MODEL NUMBER LTH151 (96041001903), PRODUCT NO. 960 41 00-19  
DECALS**



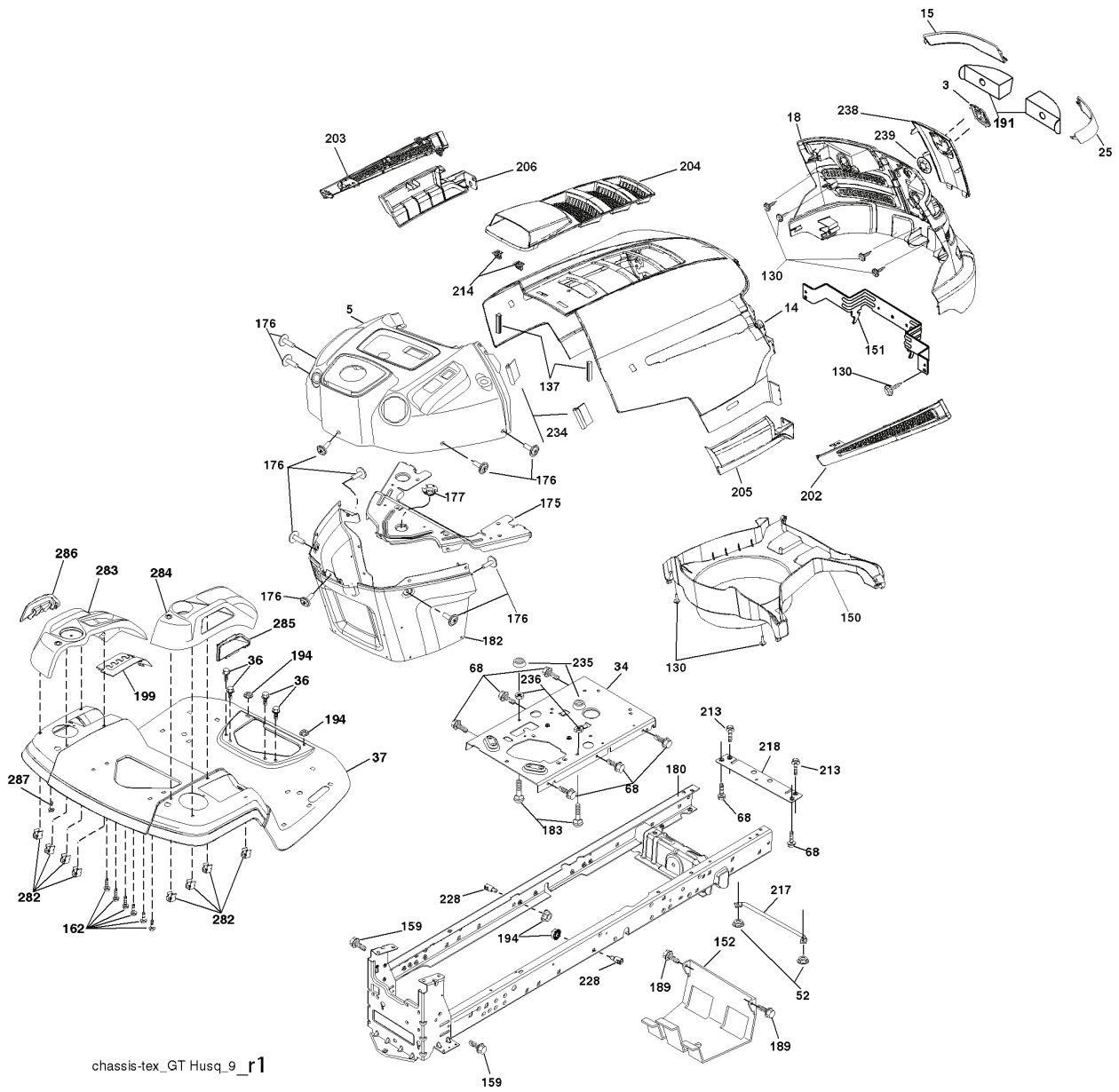
REF.	PART NO.	DESCRIPTION	REMARK	QTY.	KIT
1	532400389	LABEL		1	
2	532402832	LABEL		1	
3	532196841	DECAL		1	
4	532408597	DECAL		1	
5	532159736	DECAL		1	
6	532180432	DECAL		1	
7	532182166	DECAL		1	
8	532417248	DECAL		1	
9	532145005	DECAL		1	
10	532140837	DECAL		1	
11	532196357	DECALC."DANGER DEFLECTEUR"		1	
12	532194302	DECALC.SCHEMA MONTAGE		1	
13	532159737	DECAL		1	
-	532166960	DECAL		1	
-	532162598	DECAL		1	
-	532410805	PAD		1	
-	532411056	PAD		1	
-	532408959	OPERATOR'S MANUAL		1	
-	532408960	OPERATOR'S MANUAL		1	
-	532408961	OPERATOR'S MANUAL		1	
-	532408962	OPERATOR'S MANUAL		1	

**TRACTOR - - MODEL NUMBER LTH151 (96041001903), PRODUCT NO. 960 41 00-19  
STEERING ASSEMBLY**



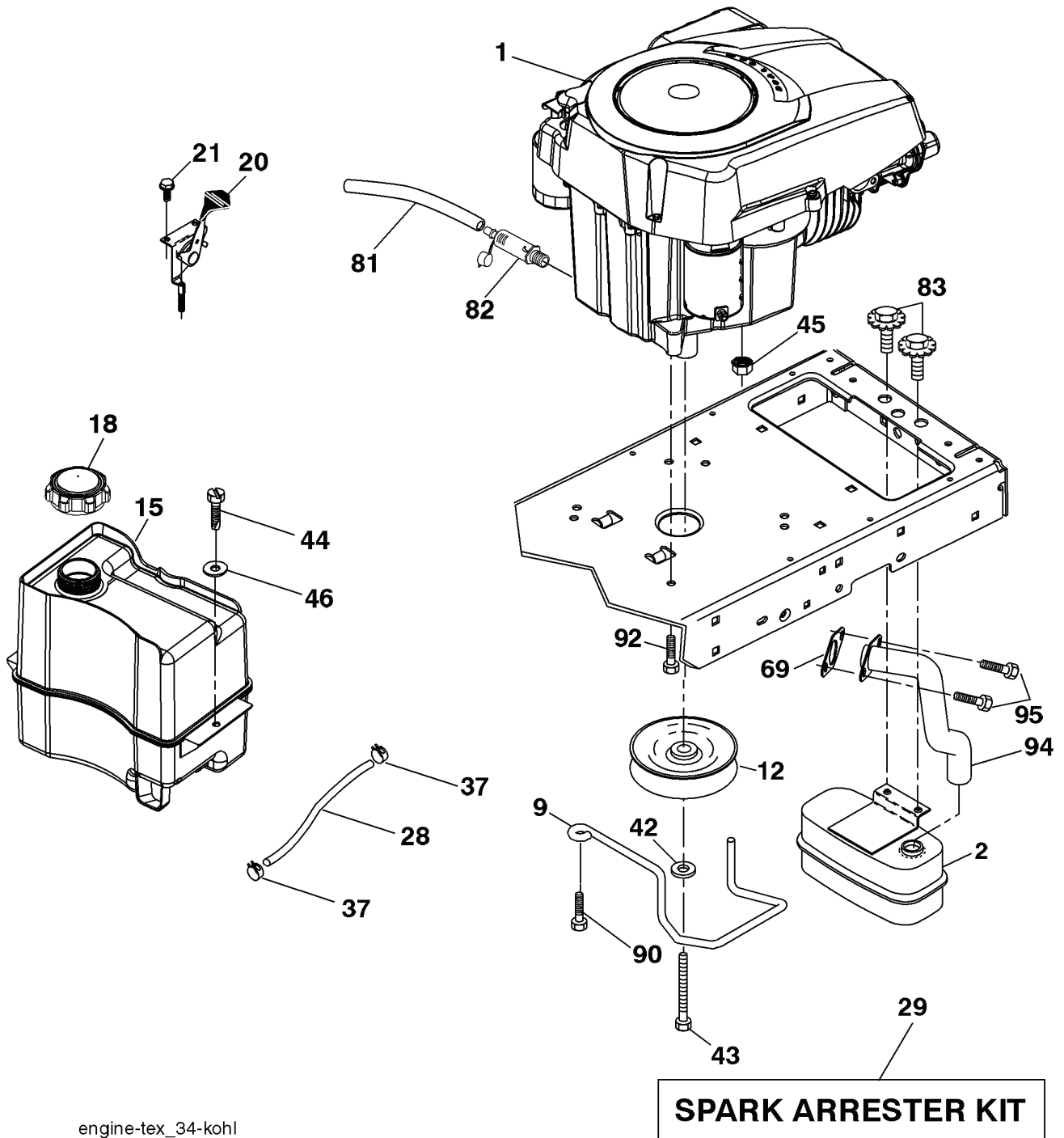
REF.	PART NO.	DESCRIPTION	REMARK	QTY.	KIT
1	532416480	STEERING WHEEL		1	
-	532193651	STEERING WHEEL		1	
2	532195673	SHAFT		1	
4	532403087	SPINDLE		1	
5	532403088	SPINDLE		1	
6	532124931	WASHER		1	
7	532121748	WASHER		1	
8	812000029	RETAINER RING		1	
9	532121232	HUB CAP		1	
13	532121749	WASHER		1	
14	810040600	WASHER		1	
15	873540600	NUT		1	
16	532196074	SHAFT		1	
19	532194729	PLATE		1	
20	532411139	STEERING COLUMN TUBE		1	
21	532186737	ADAPTER		1	
22	532194845	BUSHING		1	
26	532415987	KNOB		1	
-	532193652	HUB		1	
28	817000612	SCREW		1	
33	810040500	WASHER		1	
35	532194732	PLATE		1	
45	819113812	WASHER		1	
53	532188967	WASHER		1	
57	532407465	BRACKET		1	
58	532194747	BOLT		1	
59	532194748	WASHER		1	
60	873971000	NUT		1	
61	532194740	LINK		1	
62	532194741	LINK		1	
63	817000512	SCREW		1	
64	532199849	SPRING RETAINER		1	
66	871020748	BOLT		1	
67	532194737	BUSHING		1	
68	873900700	NUT		1	
70	532196197	BRACKET		1	
71	532196075	SHAFT		1	
72	874780572	BOLT		1	
73	532199162	WASHER		1	
74	532124937	BEARING COL. STRG.		1	
228	532404484	LABEL		1	

**TRACTOR - - MODEL NUMBER LTH151 (96041001903), PRODUCT NO. 960 41 00-19  
CHASSIS**



REF.	PART NO.	DESCRIPTION	REMARK	QTY.	KIT
3	532405012	LOGOTYPE		1	
5	532407592	PANEL		1	
14	532411073	HOOD		1	
15	532411079	LENS		1	
18	532406667	FRONT COVER		1	
25	532411078	LENS		1	
34	532196125	PLATE		1	
36	817060512	SCREW		1	
37	532416307	FENDER		1	
52	873680500	NUT		1	
68	817490508	SCREW		1	
130	532191611	SCREW		1	
137	532407590	DAMPING PIECE		1	
150	532407537	AIR CONDUCTOR		1	
151	532407807	BRACKET		1	
152	532199535	SHIELD		1	
159	817000612	SCREW		1	
162	532142432	SCREW		1	
175	532199472	PLATE		1	
176	532400776	SCREW		1	
177	532195228	BUSHING		1	
180	532195457	CHASSIS		1	
182	532198917	PANEL		1	
183	874780520	BOLT		1	
189	817000512	SCREW		1	
191	532406665	INSERT		1	
194	873900500	NUT		1	
199	532413485	PLATE		1	
202	532411074	AIR CONDUCTOR		1	
203	532411075	AIR CONDUCTOR		1	
204	532411116	AIR CONDUCTOR		1	
205	532411076	FENDER		1	
206	532411077	FENDER		1	
213	874760512	BOLT		1	
214	532199145	CLIP		1	
217	532409167	ROD		1	
218	532196395	PLATE		1	
228	532195161	STUD		1	
234	532404742	DAMPING PIECE		1	
235	532406129	SPACER		1	
236	873930500	NUT		1	
238	532411119	FRONT COVER		1	
239	532404883	CLIP		1	
282	532414110	CLIP		1	
283	532416316	CONSOLE		1	
284	532416345	CONSOLE		1	
285	532416315	CONSOLE		1	
286	532416317	CONSOLE		1	
287	817600406	SCREW		1	
-	532411115	PLUG		1	

**TRACTOR - - MODEL NUMBER LTH151 (96041001903), PRODUCT NO. 960 41 00-19  
ENGINE**



engine-tex\_34-kohl

REF.	PART NO.	DESCRIPTION	REMARK	QTY.	KIT
2	532188655	MUFFLER		1	
9	532194319	BELT GUIDE		1	
12	532401985	PULLEY		1	
15	532407545	FUEL TANK		1	
18	532197725	PLUG		1	
20	532183897	CONTROL		1	
21	532191611	SCREW		1	
28	532137040	HOSE		1	
29	532137180	SPARK ARRESTER KIT		1	
37	532123487	HOSE CLAMP		1	
42	810040700	WASHER		1	
43	532173937	BOLT		1	
44	817670412	SCREW		1	
45	873510400	NUT		1	
46	819091416	WASHER		1	
69	532185909	GASKET		1	
81	532148456	TUBE		1	
82	532181654	PLUG		1	
83	532171877	BOLT		1	
90	817000616	SCREW		1	
92	817120616	SCREW		1	
94	532188654	TUBE EXHAUST		1	
95	532192334	SCREW		1	
	PART NO.		REMARK		KIT