

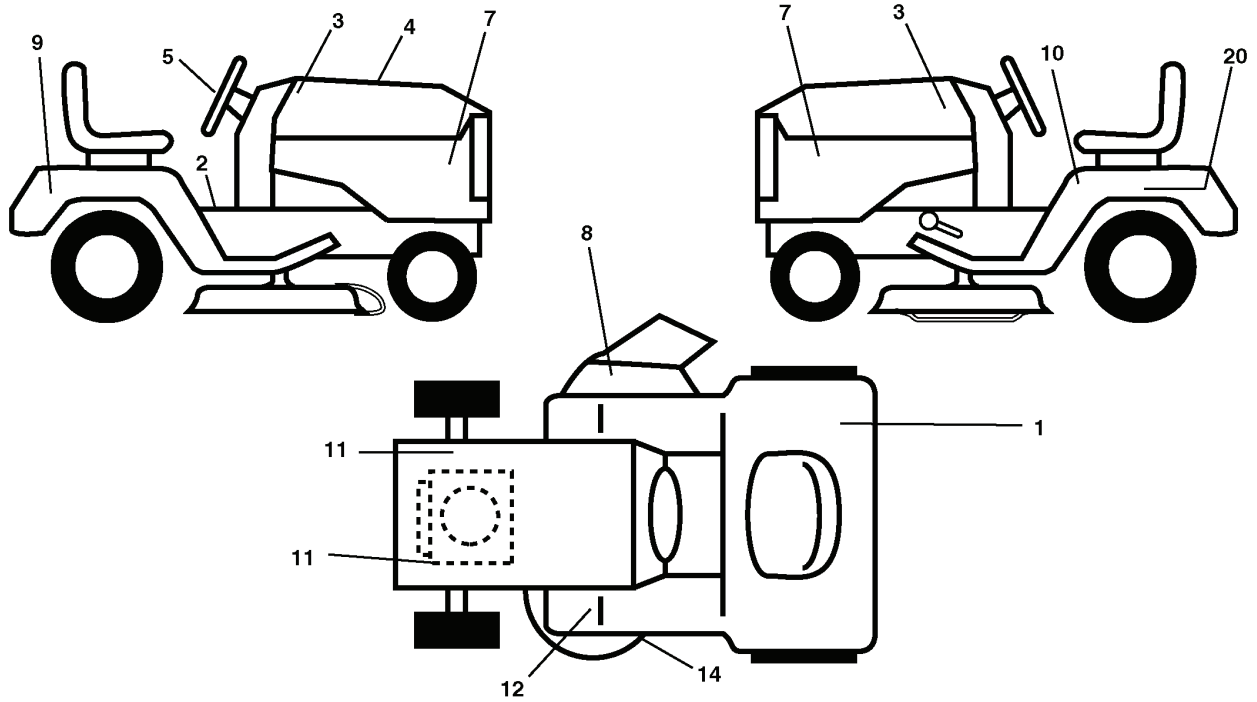
LT151, HELT151A, 954170201, 2004-01

---

# **SPARE PARTS LIST**

# REPAIR PARTS

TRACTOR - MODEL NO. LT151 (HELT151A), PRODUCT NO. 954 17 02-01  
DECALS

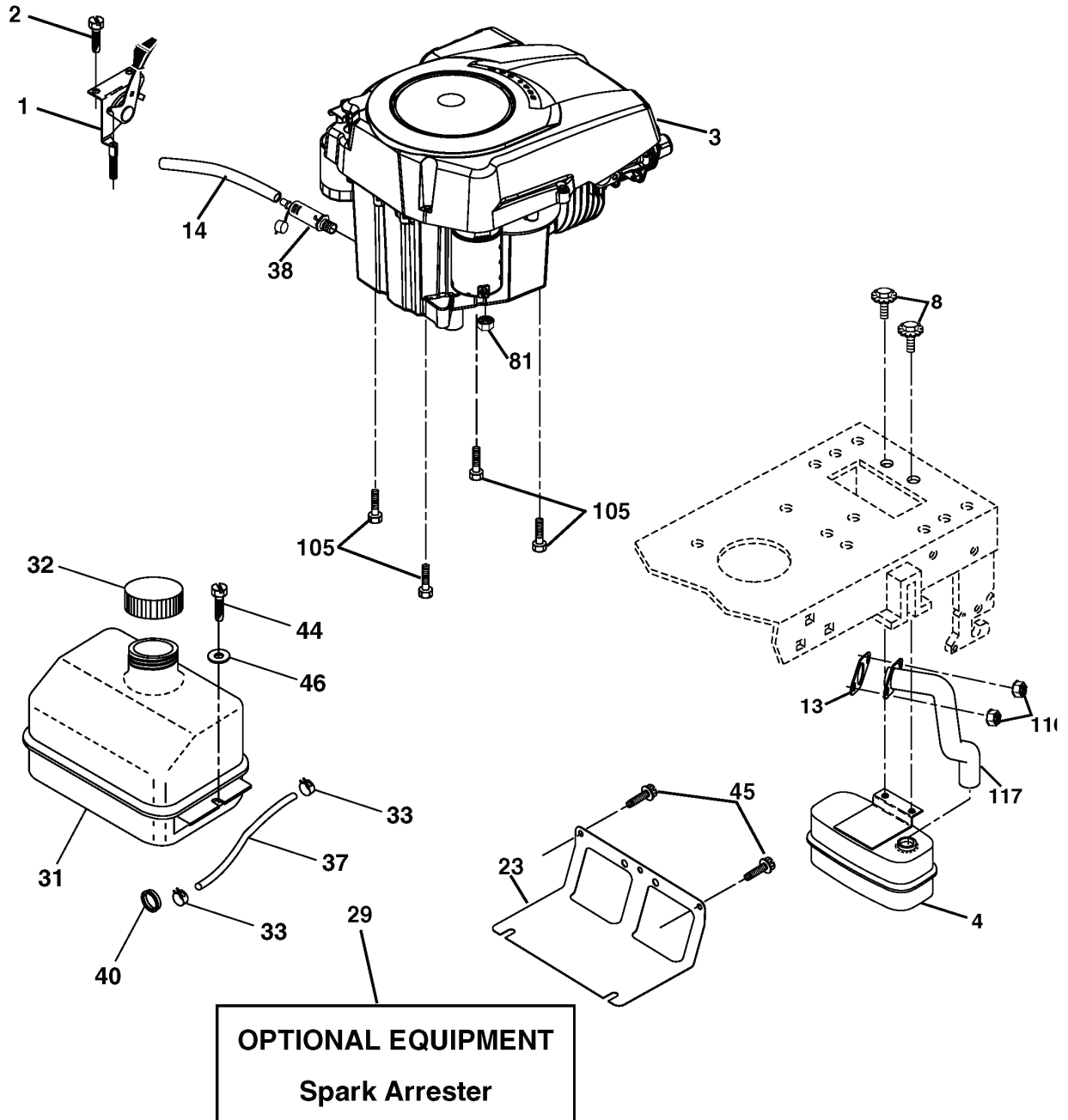


---

| REF. | PART NO.  | DESCRIPTION      | REMARK | QTY. | KIT |
|------|-----------|------------------|--------|------|-----|
| 1    | 532180432 | DECAL            |        | 1    |     |
| 2    | 532140837 | DECAL            |        | 1    |     |
| 3    | 532188923 | DECAL            |        | 1    |     |
| 4    | 532189152 | DECAL.CAPOT      |        | 1    |     |
| 5    | 532188925 | DECAL            |        | 1    |     |
| 7    | 532188921 | DECAL            |        | 1    |     |
| 8    | 532182166 | DECAL            |        | 1    |     |
| 9    | 532188928 | DECAL            |        | 1    |     |
| 10   | 532145498 | DECAL            |        | 1    |     |
| 11   | 532159736 | DECAL            |        | 1    |     |
| 12   | 532159737 | DECAL            |        | 1    |     |
| 14   | 532136832 | DECAL            |        | 1    |     |
| 20   | 532145005 | DECAL            |        | 1    |     |
| --   | 532188252 | PAD. FOOTREST LH |        | 1    |     |
| --   | 532162598 | DECAL            |        | 1    |     |
| --   | 532188253 | PAD. FOOTREST RH |        | 1    |     |
| --   | 532138311 | DECAL            |        | 1    |     |
| --   | 532188691 | OPERATORS MANUAL |        | 1    |     |
| --   | 532188692 | OPERATORS MANUAL |        | 1    |     |

# REPAIR PARTS

TRACTOR - MODEL NO. LT151 (HELT151A), PRODUCT NO. 954 17 02-01  
ENGINE



---

| REF. | PART NO.  | DESCRIPTION            | REMARK | QTY. | KIT |
|------|-----------|------------------------|--------|------|-----|
| 1    | 532170805 | CONTROL THROT /CH FLAG |        | 1    |     |
| 2    | 817720408 | SCREW                  |        | 1    |     |
| 4    | 532188655 | MUFFLER                |        | 1    |     |
| 8    | 532171877 | BOLT                   |        | 1    |     |
| 13   | 532185909 | GASKET                 |        | 1    |     |
| 14   | 532148456 | TUBE                   |        | 1    |     |
| 23   | 532169837 | HEAT SHIELD            |        | 1    |     |
| 29   | 532137180 | SPARK ARRESTER KIT     |        | 1    |     |
| 31   | 532184900 | FUEL TANK ASSY         |        | 1    |     |
| 32   | 532140527 | FUEL CAP               |        | 1    |     |
| 33   | 532123487 | HOSE CLAMP             |        | 1    |     |
| 37   | 532137040 | HOSE                   |        | 1    |     |
| 38   | 532181654 | PLUG                   |        | 1    |     |
| 40   | 532124028 | BUSHING                |        | 1    |     |
| 44   | 817670412 | SCREW                  |        | 1    |     |
| 45   | 817000612 | SCREW                  |        | 1    |     |
| 46   | 819091416 | WASHER                 |        | 1    |     |
| 81   | 873510400 | NUT                    |        | 1    |     |
| 105  | 817120616 | SCREW                  |        | 1    |     |
| 116  | 532184362 | NUT                    |        | 1    |     |
| 117  | 532188654 | TUBE EXHAUST           |        | 1    |     |



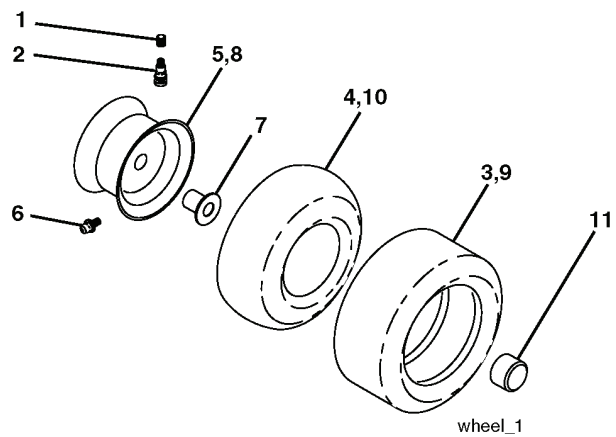
---

| REF. | PART NO.  | DESCRIPTION  | REMARK | QTY. | KIT |
|------|-----------|--------------|--------|------|-----|
| 1    | 532144927 | BATTERY      |        | 1    |     |
| 2    | 874760412 | BOLT         |        | 1    |     |
| 8    | 532176689 | BATTERY BOX  |        | 1    |     |
| 16   | 532176138 | MICRO SWITCH |        | 1    |     |
| 21   | 532175688 | HARNESS      |        | 1    |     |
| 22   | 532004152 | BULB         |        | 1    |     |
| 24   | 532124780 | CABLE        |        | 1    |     |
| 25   | 532146147 | CABLE        |        | 1    |     |
| 26   | 532175158 | FUSE         |        | 1    |     |
| 27   | 873510400 | NUT          |        | 1    |     |
| 28   | 532124773 | CABLE        |        | 1    |     |
| 29   | 532121305 | SWITCH       |        | 1    |     |
| 30   | 532175566 | SWITCH       |        | 1    |     |
| 33   | 532140401 | KEY          |        | 1    |     |
| 40   | 532179720 | HARNESS      |        | 1    |     |
| 41   | 871110408 | BOLT         |        | 1    |     |
| 42   | 532131563 | COVER        |        | 1    |     |
| 43   | 532178861 | SOLENOID     |        | 1    |     |
| 48   | 532140844 | ADAPTER      |        | 1    |     |
| 52   | 532141940 | WIRE         |        | 1    |     |
| 90   | 532180449 | COVER        |        | 1    |     |

# REPAIR PARTS

TRACTOR - MODEL NO. LT151 (HELT151A), PRODUCT NO. 954 17 02-01

## WHEELS & TIRES

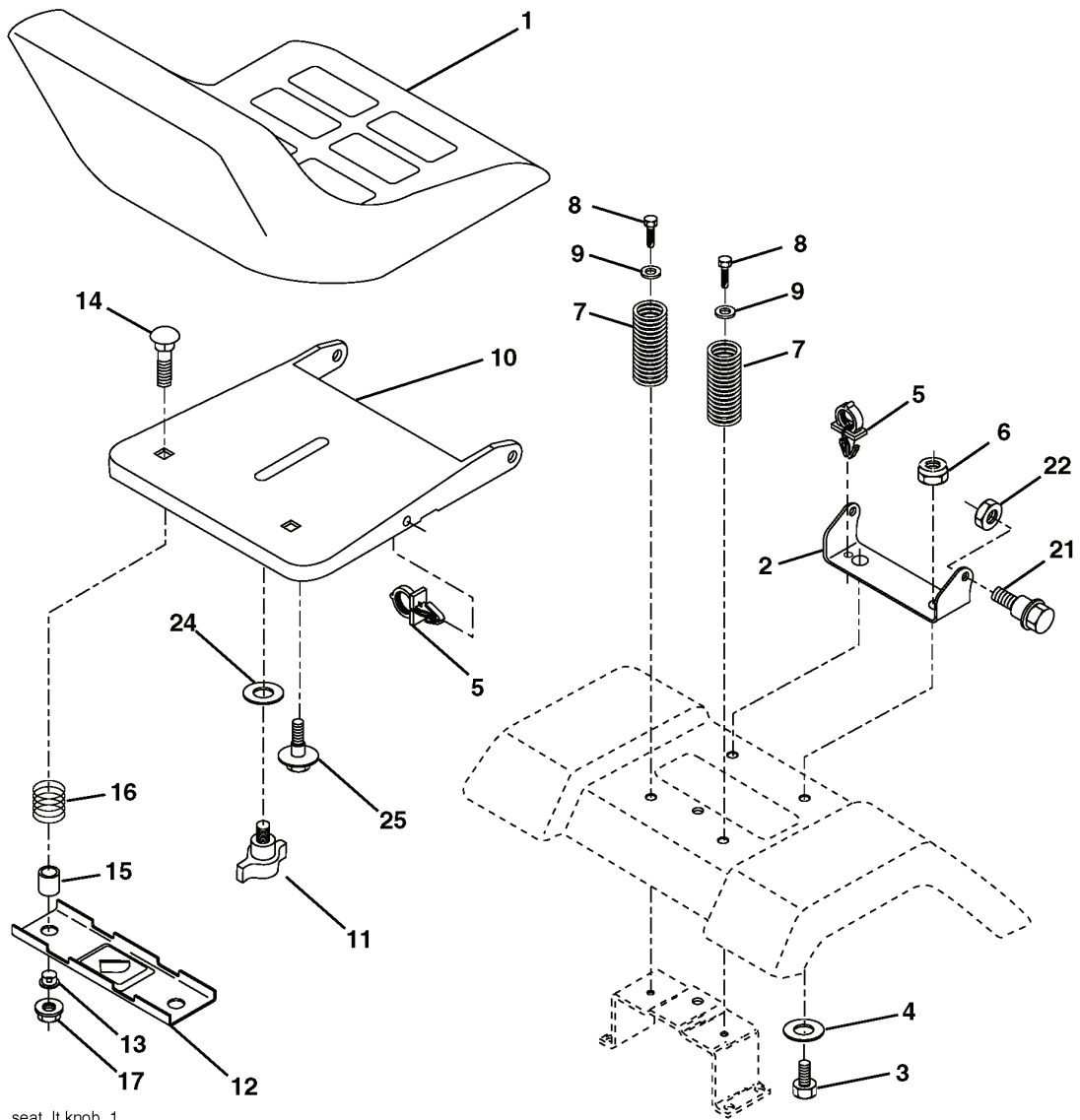


---

| REF. | PART NO.  | DESCRIPTION  | REMARK | QTY. | KIT |
|------|-----------|--------------|--------|------|-----|
| 1    | 532059192 | CAP VALVE    |        | 1    |     |
| 2    | 532065139 | NIPPLE       |        | 1    |     |
| 3    | 532106222 | TIRE         |        | 1    |     |
| 4    | 532059904 | HOSE         |        | 1    |     |
| 5    | 532138336 | RIM          |        | 1    |     |
| 6    | 532124957 | FITTING      |        | 1    |     |
| 7    | 532124959 | BEARING      |        | 1    |     |
| 8    | 532138337 | RIM SPROCKET |        | 1    |     |
| 9    | 532106268 | TIRE         |        | 1    |     |
| 10   | 532124926 | HOSE         |        | 1    |     |
| 11   | 532175039 | HUB CAP      |        | 1    |     |
| --   | 532144334 | SEALING FOAM |        | 1    |     |

# REPAIR PARTS

TRACTOR - MODEL NO. LT151 (HELT151A), PRODUCT NO. 954 17 02-01  
SEAT ASSEMBLY

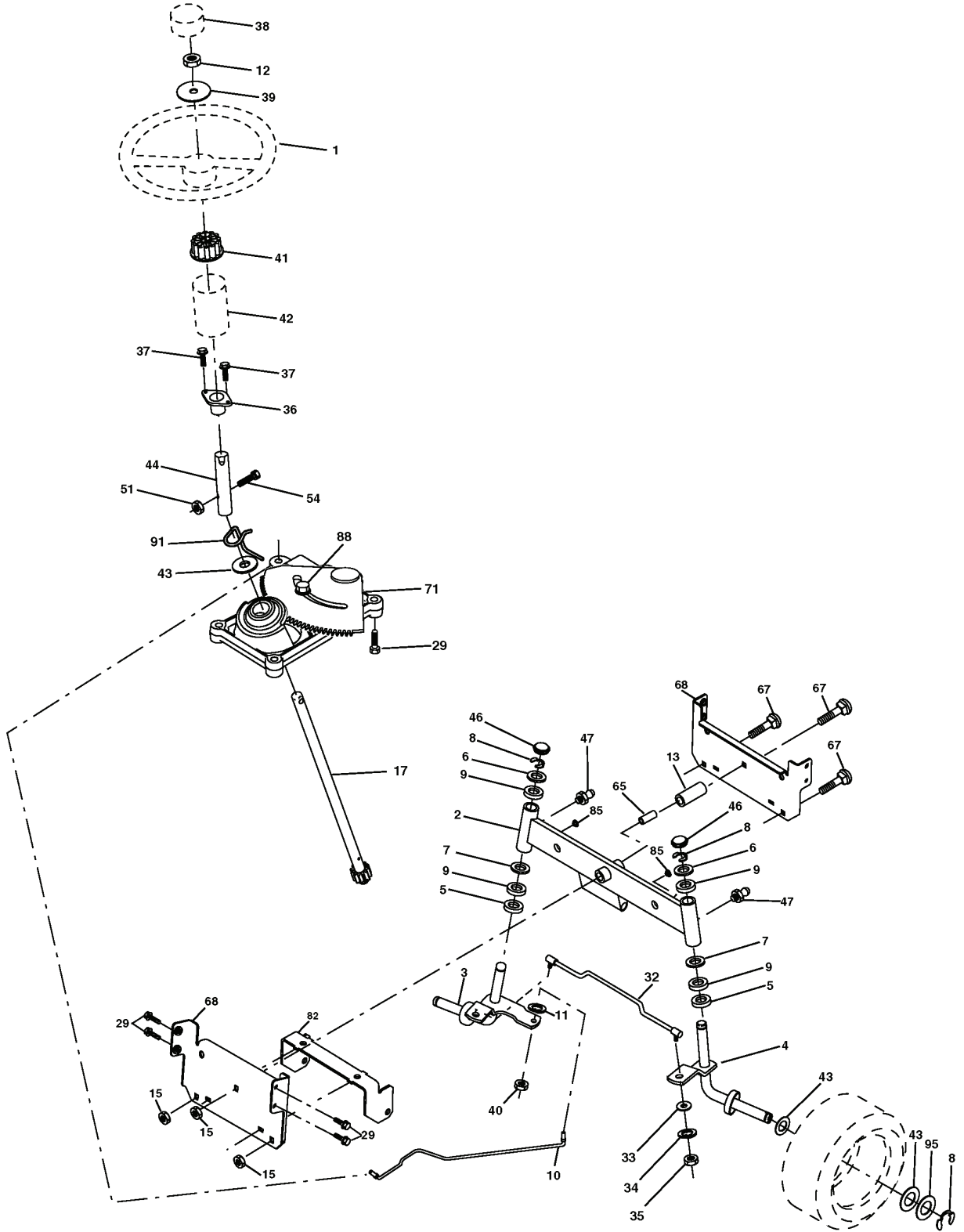


---

| REF. | PART NO.  | DESCRIPTION | REMARK | QTY. | KIT |
|------|-----------|-------------|--------|------|-----|
| 1    | 532184991 | SEAT        |        | 1    |     |
| 2    | 532140551 | BRACKET     |        | 1    |     |
| 3    | 871110616 | SCREW       |        | 1    |     |
| 4    | 819131610 | WASHER      |        | 1    |     |
| 5    | 532145006 | CLIP        |        | 1    |     |
| 6    | 873800600 | NUT         |        | 1    |     |
| 7    | 532124181 | SPRING      |        | 1    |     |
| 8    | 817000616 | SCREW       |        | 1    |     |
| 9    | 819131614 | WASHER      |        | 1    |     |
| 10   | 532182493 | BRACKET     |        | 1    |     |
| 11   | 532166369 | WING NUT    |        | 1    |     |
| 12   | 532121246 | BRACKET     |        | 1    |     |
| 13   | 532121248 | BUSHING     |        | 1    |     |
| 14   | 872050412 | BOLT        |        | 1    |     |
| 15   | 532134300 | SPACER      |        | 1    |     |
| 16   | 532121250 | SPRING      |        | 1    |     |
| 17   | 532123976 | LOCKNUT     |        | 1    |     |
| 21   | 532171852 | BOLT        |        | 1    |     |
| 22   | 873800500 | LOCK NUT    |        | 1    |     |
| 24   | 819171912 | WASHER      |        | 1    |     |
| 25   | 532127018 | BOLT        |        | 1    |     |

# REPAIR PARTS

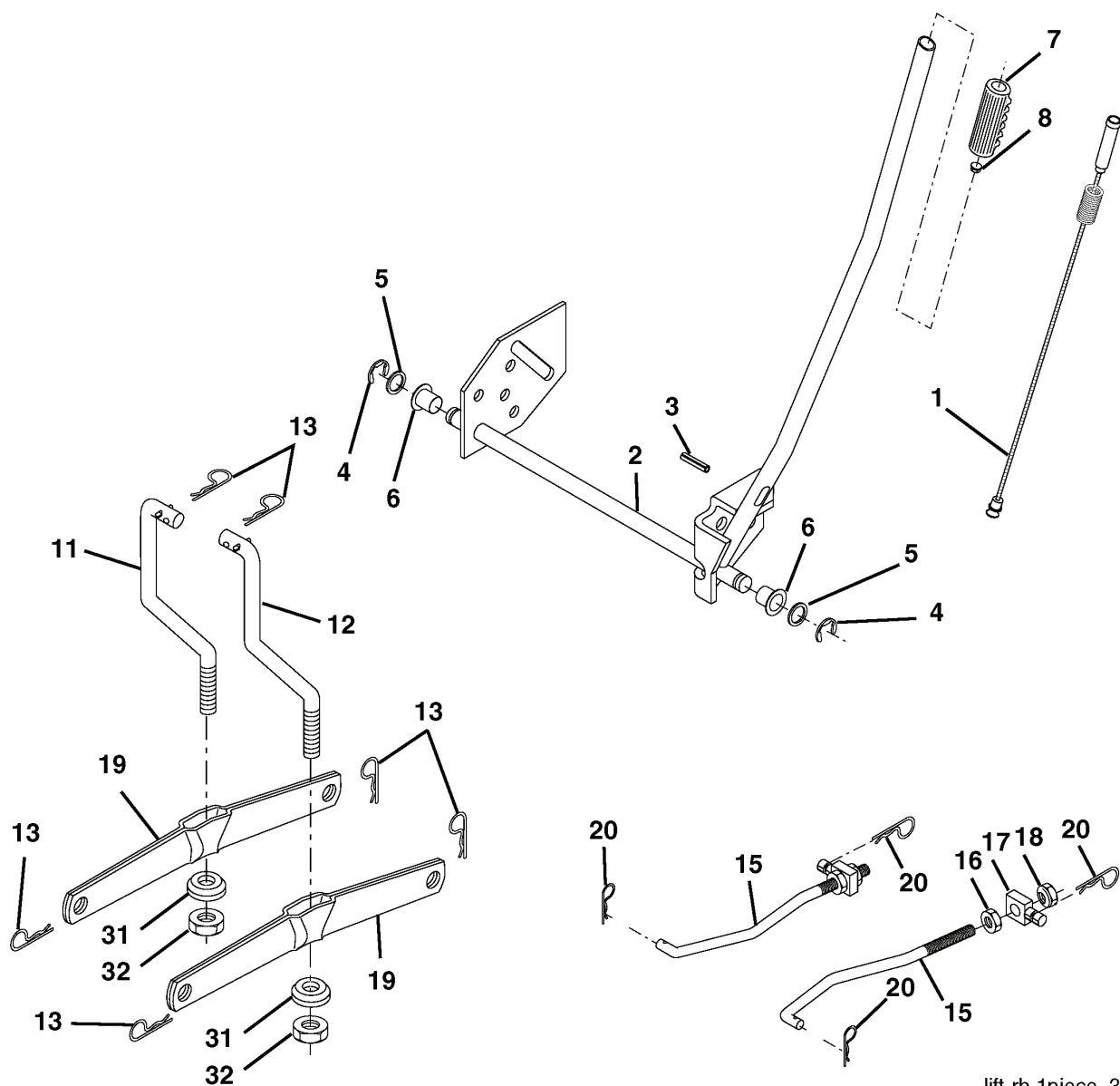
TRACTOR - MODEL NO. LT151 (HELT151A), PRODUCT NO. 954 17 02-01  
STEERING ASSEMBLY



| REF. | PART NO.  | DESCRIPTION        | REMARK | QTY. | KIT |
|------|-----------|--------------------|--------|------|-----|
| 1    | 532185437 | STEERING WHEEL     |        | 1    |     |
| 2    | 532175131 | AXLE               |        | 1    |     |
| 3    | 532169840 | SPINDLE            |        | 1    |     |
| 4    | 532169839 | SPINDLE            |        | 1    |     |
| 5    | 532124931 | WASHER             |        | 1    |     |
| 6    | 532121748 | WASHER             |        | 1    |     |
| 7    | 819272016 | WASHER             |        | 1    |     |
| 8    | 812000029 | RETAINER RING      |        | 1    |     |
| 9    | 532124937 | BEARING COL. STRG. |        | 1    |     |
| 10   | 532175121 | ROD                |        | 1    |     |
| 11   | 810040600 | WASHER             |        | 1    |     |
| 12   | 873940800 | NUT                |        | 1    |     |
| 13   | 532136518 | PIPE               |        | 1    |     |
| 15   | 532145212 | NUT                |        | 1    |     |
| 17   | 532180641 | SHAFT              |        | 1    |     |
| 29   | 817000612 | SCREW              |        | 1    |     |
| 32   | 532171888 | ROD                |        | 1    |     |
| 33   | 819111216 | WASHER             |        | 1    |     |
| 34   | 810040500 | WASHER             |        | 1    |     |
| 35   | 873540500 | NUT                |        | 1    |     |
| 36   | 532155099 | BUSHING            |        | 1    |     |
| 37   | 532152927 | SCREW              |        | 1    |     |
| 38   | 532166626 | INSERT             |        | 1    |     |
| 39   | 819182411 | WASHER             |        | 1    |     |
| 40   | 873540600 | NUT                |        | 1    |     |
| 41   | 532159945 | ADAPTER            |        | 1    |     |
| 42   | 532169634 | SLEEVE             |        | 1    |     |
| 43   | 532121749 | WASHER             |        | 1    |     |
| 44   | 532180640 | SHAFT              |        | 1    |     |
| 46   | 532121232 | HUB CAP            |        | 1    |     |
| 47   | 532183226 | FITTING            |        | 1    |     |
| 51   | 873540400 | NUT                |        | 1    |     |
| 54   | 871130420 | BOLT               |        | 1    |     |
| 65   | 532160367 | SPACER             |        | 1    |     |
| 67   | 872110618 | BOLT               |        | 1    |     |
| 68   | 532169827 | SHAFT              |        | 1    |     |
| 71   | 532175146 | STEERING GEAR      |        | 1    |     |
| 82   | 532169835 | BRACKET            |        | 1    |     |
| 85   | 532133835 | XMAS TREE FASTNER  |        | 1    |     |
| 88   | 532175118 | BOLT               |        | 1    |     |
| 91   | 532175553 | SPRING             |        | 1    |     |
| 95   | 532188967 | WASHER             |        | 1    |     |

# REPAIR PARTS

TRACTOR - MODEL NO. LT151 (HELT151A), PRODUCT NO. 954 17 02-01  
MOWER LIFT



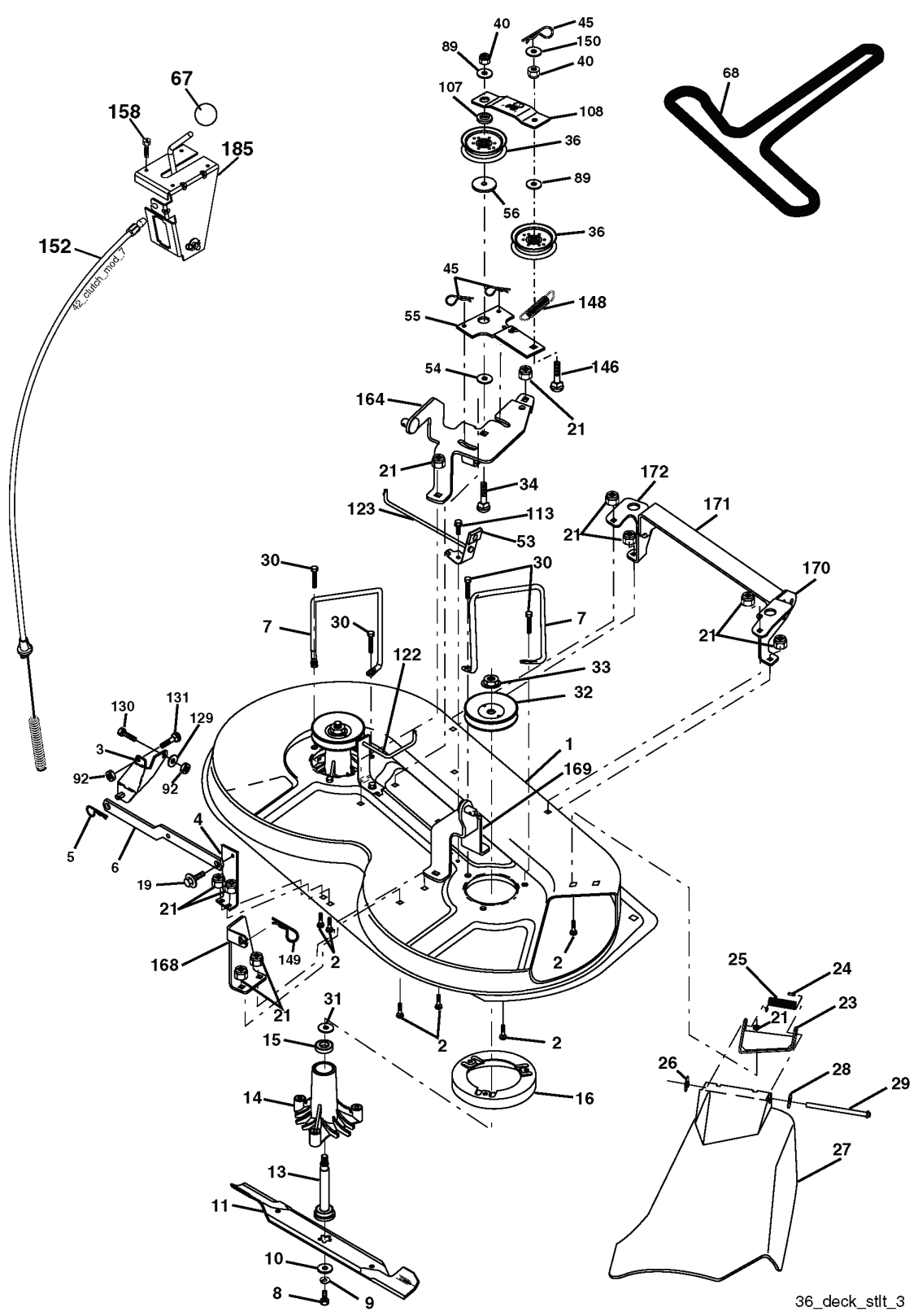
lift-rh.1piece\_3

---

| REF. | PART NO.  | DESCRIPTION         | REMARK | QTY. | KIT |
|------|-----------|---------------------|--------|------|-----|
| 1    | 532159460 | WIRE                |        | 1    |     |
| 2    | 532159471 | LEVER               |        | 1    |     |
| 3    | 532105767 | PIN RETAINING SCREW |        | 1    |     |
| 4    | 812000002 | RETAINER RING       |        | 1    |     |
| 5    | 819211621 | WASHER              |        | 1    |     |
| 6    | 532120183 | BEARING             |        | 1    |     |
| 7    | 532109413 | GRIP                |        | 1    |     |
| 8    | 532124526 | KNOB                |        | 1    |     |
| 11   | 532139865 | LINK                |        | 1    |     |
| 12   | 532139866 | LINK                |        | 1    |     |
| 13   | 532124670 | RETAINER RING       |        | 1    |     |
| 15   | 532173288 | LINK                |        | 1    |     |
| 16   | 873350800 | NUT                 |        | 1    |     |
| 17   | 532175689 | BRACKET             |        | 1    |     |
| 18   | 873800800 | NUT                 |        | 1    |     |
| 19   | 532139868 | LEVER               |        | 1    |     |
| 20   | 532163552 | CLIP                |        | 1    |     |
| 31   | 532169865 | BEARING             |        | 1    |     |
| 32   | 873540600 | NUT                 |        | 1    |     |

# REPAIR PARTS

TRACTOR - MODEL NO. LT151 (HELT151A), PRODUCT NO. 954 17 02-01  
MOWER DECK

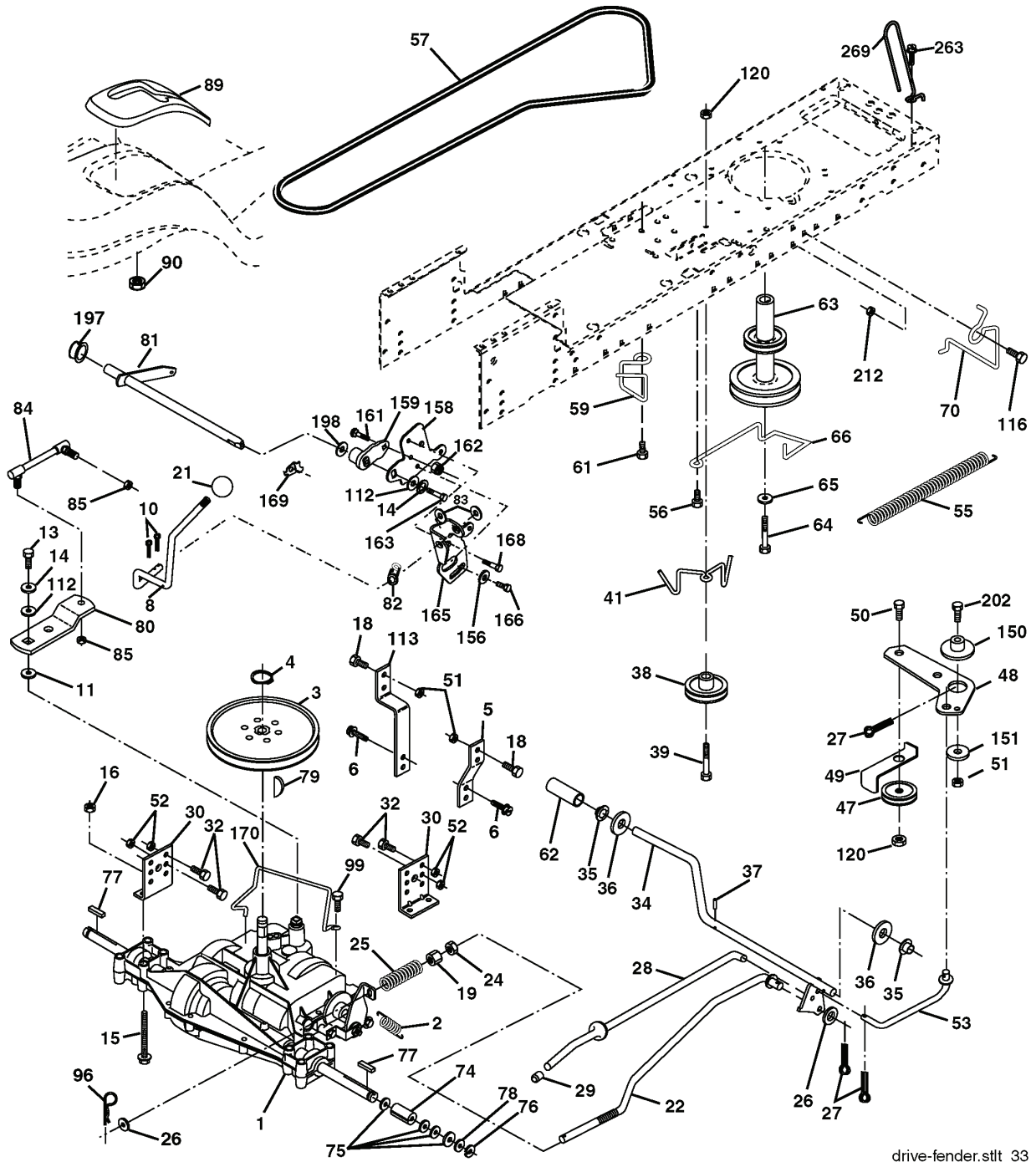


36\_deck\_stlt\_3

| REF. | PART NO.  | DESCRIPTION              | REMARK | QTY. | KIT |
|------|-----------|--------------------------|--------|------|-----|
| 1    | 532174595 | MOWER DECK ASSY          |        | 1    |     |
| 2    | 872140506 | BOLT                     |        | 1    |     |
| 3    | 532138017 | BRACKE                   |        | 1    |     |
| 4    | 532175654 | BRACKET                  |        | 1    |     |
| 5    | 532124670 | RETAINER RING            |        | 1    |     |
| 6    | 532178024 | LEVER                    |        | 1    |     |
| 7    | 532140608 | HOLDER                   |        | 1    |     |
| 8    | 532850857 | BOLT                     |        | 1    |     |
| 9    | 810030600 | WASHER                   |        | 1    |     |
| 10   | 532140296 | WASHER                   |        | 1    |     |
| 11   | 532138496 | RIDE ON BLADE            |        | 1    |     |
| 13   | 532137645 | SHAFT                    |        | 1    |     |
| 14   | 532128774 | BEARING HOUSING          |        | 1    |     |
| 15   | 532110485 | BEARING                  |        | 1    |     |
| 16   | 532174493 | STRIPPER, MANDREL, BLACK |        | 1    |     |
| 19   | 532132827 | SPEC. BOLT               |        | 1    |     |
| 21   | 873680500 | NUT                      |        | 1    |     |
| 23   | 532136631 | BRACKET                  |        | 1    |     |
| 24   | 532105304 | HUB CAP                  |        | 1    |     |
| 25   | 532123713 | SPRING                   |        | 1    |     |
| 26   | 532110452 | NUT                      |        | 1    |     |
| 27   | 532176162 | SHIELD                   |        | 1    |     |
| 28   | 819111016 | WASHER                   |        | 1    |     |
| 29   | 532121980 | ROD                      |        | 1    |     |
| 30   | 532173984 | SCREW                    |        | 1    |     |
| 31   | 532187690 | WASHER                   |        | 1    |     |
| 32   | 532153531 | PULLEY                   |        | 1    |     |
| 33   | 532178342 | NUT                      |        | 1    |     |
| 34   | 872110614 | BOLT                     |        | 1    |     |
| 36   | 532131494 | PULLEY                   |        | 1    |     |
| 40   | 873680600 | NUT                      |        | 1    |     |
| 45   | 532124788 | RETAINER RING            |        | 1    |     |
| 53   | 532130840 | BRAKE LEVER              |        | 1    |     |
| 54   | 532178515 | WASHER                   |        | 1    |     |
| 55   | 532133840 | LEVER                    |        | 1    |     |
| 56   | 532165723 | SPACER                   |        | 1    |     |
| 67   | 532106932 | KNOB                     |        | 1    |     |
| 68   | 532180213 | BELT                     |        | 1    |     |
| 89   | 819131311 | WASHER                   |        | 1    |     |
| 92   | 873800600 | NUT                      |        | 1    |     |
| 107  | 532133502 | SPACER                   |        | 1    |     |
| 108  | 532133503 | LEVER                    |        | 1    |     |
| 113  | 817490508 | SCREW                    |        | 1    |     |
| 122  | 532174505 | ROD                      |        | 1    |     |
| 123  | 532174504 | ROD                      |        | 1    |     |
| 129  | 819131312 | WASHER                   |        | 1    |     |
| 130  | 874780616 | BOLT                     |        | 1    |     |
| 131  | 872140608 | BOLT                     |        | 1    |     |
| 146  | 532165891 | BOLT                     |        | 1    |     |
| 148  | 532169022 | SPRING                   |        | 1    |     |
| 149  | 532165898 | SPRING                   |        | 1    |     |
| 150  | 819091210 | WASHER                   |        | 1    |     |
| 152  | 532176079 | CABLE                    |        | 1    |     |
| 158  | 817720408 | SCREW                    |        | 1    |     |
| 164  | 532174976 | BRACKET                  |        | 1    |     |
| 168  | 532172377 | BRACKET                  |        | 1    |     |
| 169  | 532174977 | BRACKET                  |        | 1    |     |
| 170  | 532172359 | BRACKET                  |        | 1    |     |
| 171  | 532165237 | ROD                      |        | 1    |     |
| 172  | 532172355 | BRACKET                  |        | 1    |     |
| 185  | 532188234 | CABLE                    |        | 1    |     |
| --   | 532130794 | MANDREL                  |        | 1    |     |
| --   | 532181376 | HOUSING                  |        | 1    |     |

# REPAIR PARTS

TRACTOR - MODEL NO. LT151 (HELT151A), PRODUCT NO. 954 17 02-01  
DRIVE



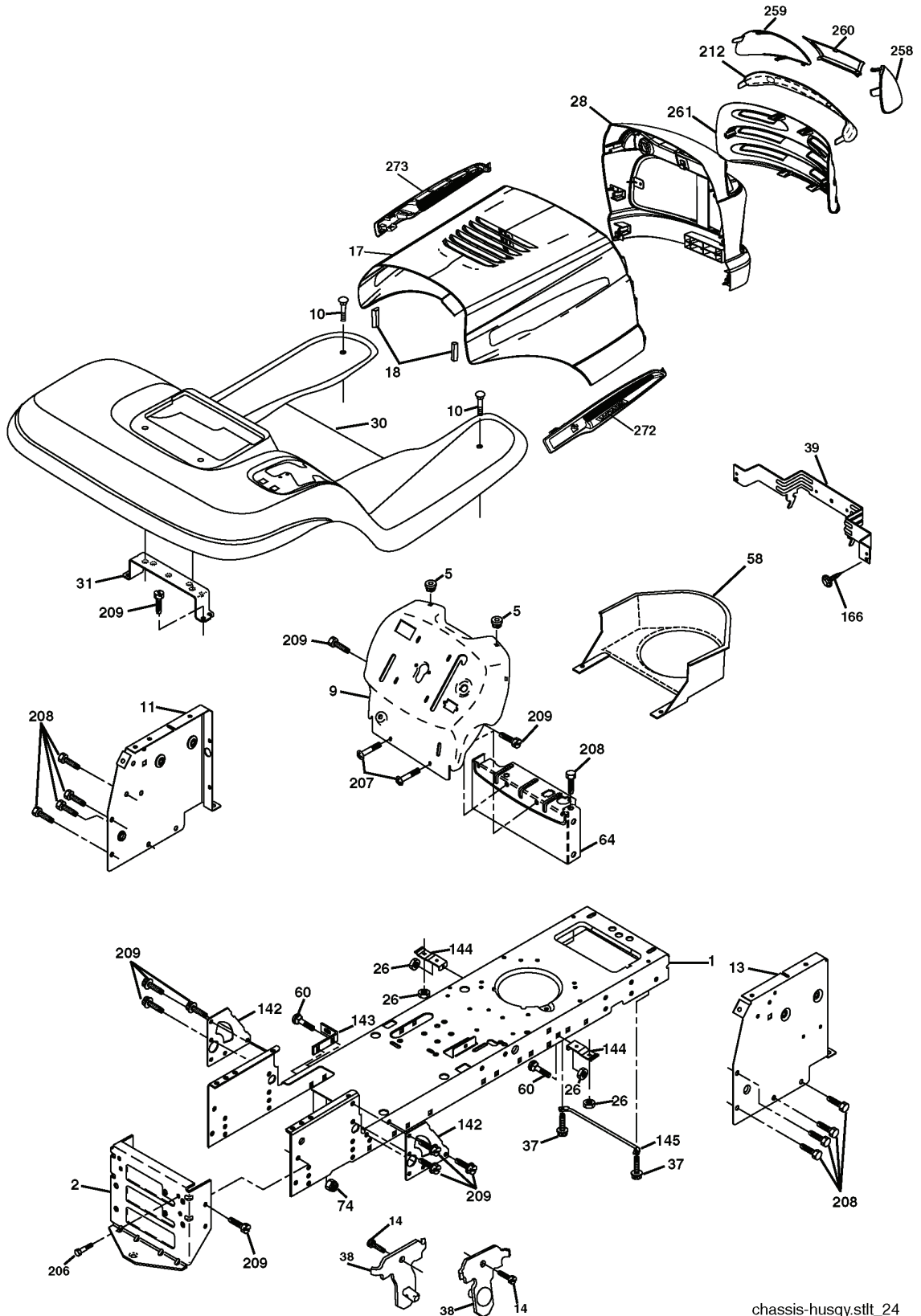
| REF. | PART NO.  | DESCRIPTION         | REMARK | QTY. | KIT |
|------|-----------|---------------------|--------|------|-----|
| 2    | 532146682 | SPRING              |        | 1    |     |
| 3    | 532123666 | PULLEY              |        | 1    |     |
| 4    | 812000028 | CLIP                |        | 1    |     |
| 5    | 532121520 | BRACKET             |        | 1    |     |
| 6    | 817060512 | SCREW               |        | 1    |     |
| 8    | 532165866 | ROD                 |        | 1    |     |
| 10   | 876020416 | SPLIT PIN           |        | 1    |     |
| 11   | 532105701 | WASHER              |        | 1    |     |
| 13   | 874550412 | BOLT                |        | 1    |     |
| 14   | 810040400 | WASHER              |        | 1    |     |
| 15   | 874490544 | SCREW               |        | 1    |     |
| 16   | 873800500 | LOCK NUT            |        | 1    |     |
| 18   | 874780616 | BOLT                |        | 1    |     |
| 19   | 873800600 | NUT                 |        | 1    |     |
| 21   | 532121274 | KNOB                |        | 1    |     |
| 22   | 532130804 | ROD                 |        | 1    |     |
| 24   | 873350600 | NUT                 |        | 1    |     |
| 25   | 532106888 | SPRING              |        | 1    |     |
| 26   | 819131316 | WASHER              |        | 1    |     |
| 27   | 876020412 | SPLIT PIN           |        | 1    |     |
| 28   | 532175765 | SHAFT               |        | 1    |     |
| 29   | 532071673 | COVER               |        | 1    |     |
| 30   | 532174973 | BRACKET             |        | 1    |     |
| 32   | 874760512 | BOLT                |        | 1    |     |
| 34   | 532175578 | SHAFT               |        | 1    |     |
| 35   | 532120183 | BEARING             |        | 1    |     |
| 36   | 819211616 | WASHER              |        | 1    |     |
| 37   | 532124963 | PIN RETAINING SCREW |        | 1    |     |
| 38   | 532179114 | PULLEY              |        | 1    |     |
| 39   | 872110622 | BOLT                |        | 1    |     |
| 41   | 532175556 | BELT GUIDE          |        | 1    |     |
| 47   | 532127783 | PULLEY              |        | 1    |     |
| 48   | 532154407 | GUIDE               |        | 1    |     |
| 49   | 532123205 | BELT GUIDE          |        | 1    |     |
| 50   | 872110612 | BOLT                |        | 1    |     |
| 51   | 873680600 | NUT                 |        | 1    |     |
| 52   | 873680500 | NUT                 |        | 1    |     |
| 53   | 532105710 | LINK                |        | 1    |     |
| 55   | 532105709 | SPRING              |        | 1    |     |
| 56   | 817060620 | SCREW               |        | 1    |     |
| 57   | 532130801 | V-BELT              |        | 1    |     |
| 59   | 532169691 | BELT GUIDE          |        | 1    |     |
| 61   | 817120614 | SCREW               |        | 1    |     |
| 62   | 532124872 | PEDAL RUBBER        |        | 1    |     |
| 63   | 532180219 | PULLEY              |        | 1    |     |
| 64   | 532173937 | BOLT                |        | 1    |     |
| 65   | 810040700 | WASHER              |        | 1    |     |
| 66   | 532154778 | TENSIONER           |        | 1    |     |
| 70   | 532180218 | BELT GUIDE          |        | 1    |     |
| 74   | 532137057 | SPACER              |        | 1    |     |
| 75   | 532121749 | WASHER              |        | 1    |     |
| 76   | 812000001 | RETAINER RING       |        | 1    |     |
| 77   | 532123583 | KEY                 |        | 1    |     |
| 78   | 532121748 | WASHER              |        | 1    |     |
| 79   | 532125096 | WOODRUFF KEY        |        | 1    |     |
| 80   | 532131486 | ROD                 |        | 1    |     |
| 81   | 532165594 | SHAFT               |        | 1    |     |
| 82   | 532165711 | SPRING              |        | 1    |     |
| 83   | 819171216 | WASHER              |        | 1    |     |
| 84   | 532166228 | LINK                |        | 1    |     |
| 85   | 532150360 | NUT                 |        | 1    |     |
| 89   | 532166561 | BRACKET             |        | 1    |     |
| 90   | 532124346 | NUT                 |        | 1    |     |
| 96   | 532124788 | RETAINER RING       |        | 1    |     |
| 99   | 817000512 | SCREW               |        | 1    |     |
| 112  | 819091210 | WASHER              |        | 1    |     |
| 113  | 532127285 | BRACKET             |        | 1    |     |
| 116  | 872140608 | BOLT                |        | 1    |     |
| 120  | 873900600 | NUT                 |        | 1    |     |
| 150  | 532175456 | SPACER              |        | 1    |     |
| 151  | 819133210 | WASHER              |        | 1    |     |
| 156  | 532166002 | WASHER              |        | 1    |     |
| 158  | 532165589 | BRACKET             |        | 1    |     |
| 159  | 532183900 | LEVER               |        | 1    |     |
| 161  | 872140406 | BOLT                |        | 1    |     |
| 162  | 873680400 | NUT                 |        | 1    |     |
| 163  | 874780416 | BOLT                |        | 1    |     |
| 165  | 532165623 | BRACKET             |        | 1    |     |

---

| REF. | PART NO.  | DESCRIPTION | REMARK | QTY. | KIT |
|------|-----------|-------------|--------|------|-----|
| 166  | 817490510 | SCREW       |        | 1    |     |
| 168  | 532165492 | BOLT        |        | 1    |     |
| 169  | 532165580 | RETAINER    |        | 1    |     |
| 170  | 532178394 | KEEPER      |        | 1    |     |
| 197  | 532169613 | SLEEVE      |        | 1    |     |
| 198  | 532169593 | WASHER      |        | 1    |     |
| 202  | 872110614 | BOLT        |        | 1    |     |
| 212  | 532145212 | NUT         |        | 1    |     |
| 263  | 817000612 | SCREW       |        | 1    |     |
| 269  | 532182402 | PROTECTOR   |        | 1    |     |

# REPAIR PARTS

TRACTOR - MODEL NO. LT151 (HELT151A), PRODUCT NO. 954 17 02-01  
CHASSIS AND ENCLOSURES



| REF. | PART NO.  | DESCRIPTION            | REMARK | QTY. | KIT |
|------|-----------|------------------------|--------|------|-----|
| 1    | 532174619 | FRAME                  |        | 1    |     |
| 2    | 532176554 | PLATE                  |        | 1    |     |
| 5    | 532155272 | DAMPER                 |        | 1    |     |
| 9    | 532171853 | DASH                   |        | 1    |     |
| 10   | 872140608 | BOLT                   |        | 1    |     |
| 11   | 532174996 | DASHBOARD              |        | 1    |     |
| 13   | 532181719 | DASHBOARD              |        | 1    |     |
| 14   | 817490608 | SCREW                  |        | 1    |     |
| 17   | 532188893 | HOOD                   |        | 1    |     |
| 18   | 532184921 | BUMPER                 |        | 1    |     |
| 26   | 873800600 | NUT                    |        | 1    |     |
| 28   | 532183538 | GRILL                  |        | 1    |     |
| 30   | 532180507 | FENDER                 |        | 1    |     |
| 31   | 532139976 | BRACKET                |        | 1    |     |
| 37   | 817490508 | SCREW                  |        | 1    |     |
| 38   | 532175710 | BRACKET                |        | 1    |     |
| 39   | 532174714 | BRACKET PIVOT LASER LT |        | 1    |     |
| 58   | 532187154 | DUCT                   |        | 1    |     |
| 60   | 872140606 | BOLT                   |        | 1    |     |
| 64   | 532154798 | PANEL                  |        | 1    |     |
| 74   | 873680600 | NUT                    |        | 1    |     |
| 142  | 532175702 | PLATE                  |        | 1    |     |
| 143  | 532186689 | BRACKET                |        | 1    |     |
| 144  | 532175582 | BRACKET                |        | 1    |     |
| 145  | 532156524 | SHAFT                  |        | 1    |     |
| 166  | 532171875 | SCREW                  |        | 1    |     |
| 206  | 532170165 | BOLT                   |        | 1    |     |
| 207  | 817670508 | SCREW                  |        | 1    |     |
| 208  | 817670608 | SCREW                  |        | 1    |     |
| 209  | 817000612 | SCREW                  |        | 1    |     |
| 212  | 532183548 | INSERT                 |        | 1    |     |
| 258  | 532185214 | LENS                   |        | 1    |     |
| 259  | 532185213 | LENS                   |        | 1    |     |
| 260  | 532185216 | INSERT                 |        | 1    |     |
| 261  | 532185212 | INSERT                 |        | 1    |     |
| 272  | 532188896 | VENT HOOD RH           |        | 1    |     |
| 273  | 532188895 | VENT HOOD LH           |        | 1    |     |
| --   | 532005479 | PLUG                   |        | 1    |     |