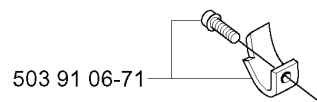
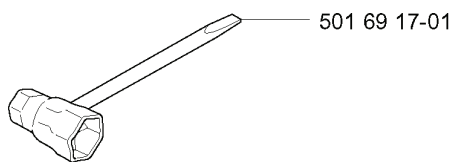


345 E, 20051800001-20062300000

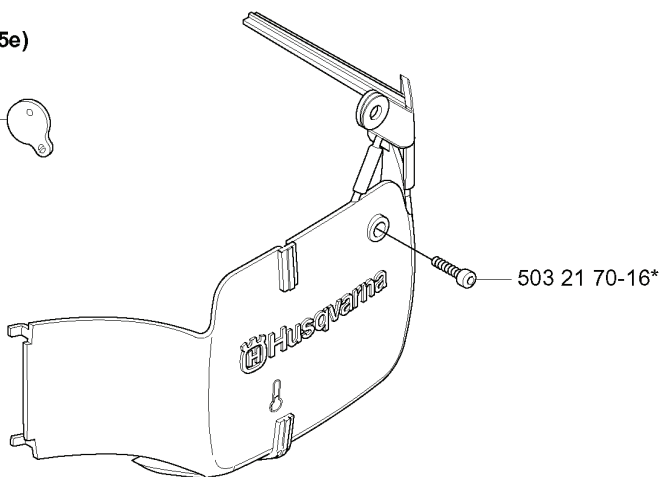
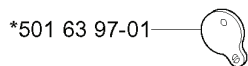
SPARE PARTS LIST

P Tillbehör
Accessories
Zubehöre
Accessoires
Accesorios



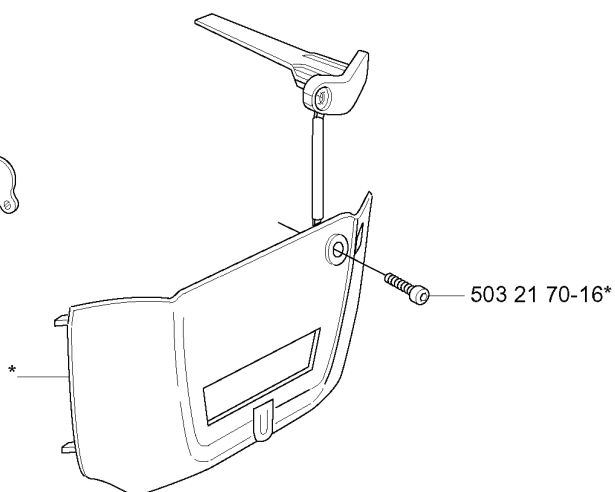
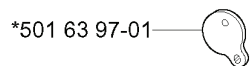
Winter kit

*compl 537 42 29-01 (340e, 345e)
Correction: 544 01 31-01



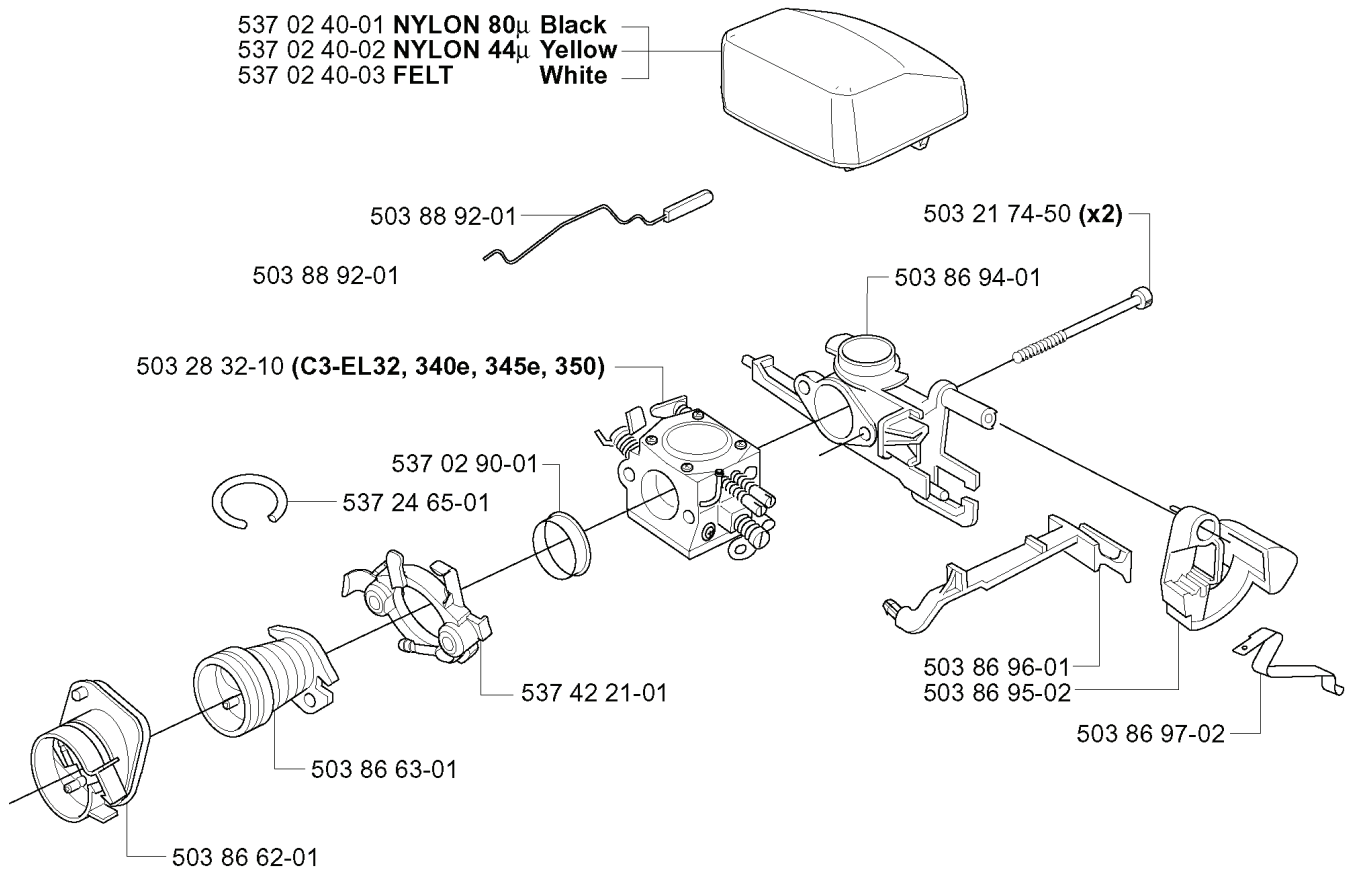
Winter kit

*compl 537 04 28-02 (340, 350)



REF.	PART NO.	DESCRIPTION	REMARK	QTY.	KIT
5440131-01	544013101	WINTER KIT	CORRECTION:	1	
5016397-01	501639701	COVER		1	
5370428-02	537042802	KIT	340, 350	1	
5032170-16	503217016	SCREW CCRPANT		1	
5039106-71	503910671	KIT		1	
5016917-01	501691701	COMBINATION WRENCH		1	

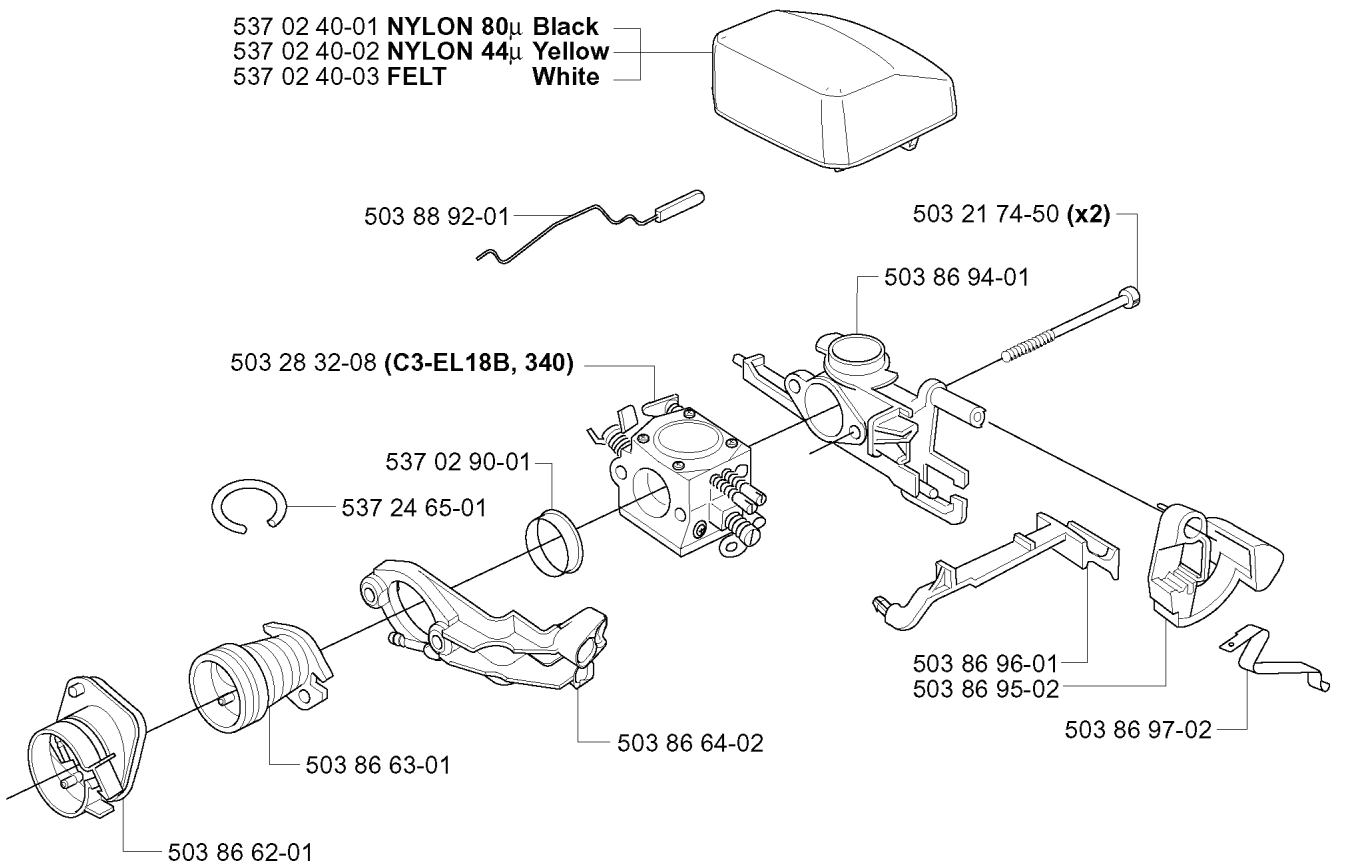
F 340e, 345e, 350



REF.	PART NO.	DESCRIPTION	REMARK	QTY.	KIT
537 02 40-01	537024001	AIR FILTER	NYLON BLACK	1	
537 02 40-02	537024002	AIR FILTER	NYLON YELLOW	1	
537 02 40-03	537024003	AIR FILTER	FELT WHITE	1	
503 88 92-01	503889201	THROTTLE ROD		1	
503 28 32-10	503283210	CARBURETTOR	C3-EL32, 340E, 345E, 350	1	
537 02 90-01	537029001	SUPPORT RING		1	
537 24 65-01	537246501	IMPULSE HOSE		1	
503 86 63-01	503866301	BELLOWS		1	
503 86 62-01	503866201	INSULATION WALL		1	
537 42 21-01	537422101	FLANGE		1	
503 86 97-02	503869702	SPRING		1	
503 86 95-02	503869502	STOP SWITCH		1	
503 86 96-01	503869601	CHOKE CONTROL		1	
503 86 94-01	503869401	INLET BEND		1	
503 21 74-50	503217450	SCREW IH SCT		2	

F 340

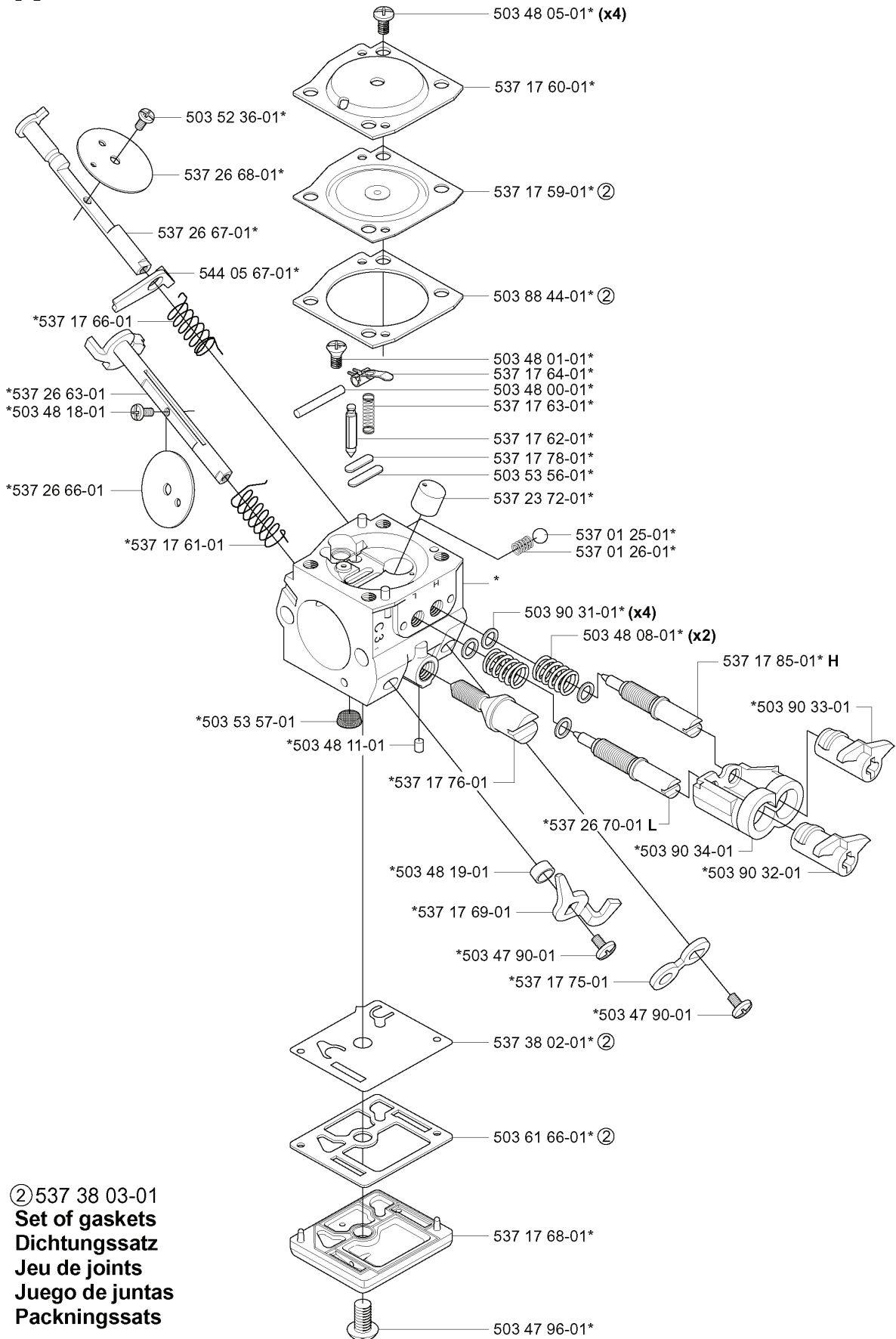
537 02 40-01 **NYLON 80 μ Black**
537 02 40-02 **NYLON 44 μ Yellow**
537 02 40-03 **FELT White**



REF.	PART NO.	DESCRIPTION	REMARK	QTY.	KIT
537 02 40-01	537024001	AIR FILTER	NYLON BLACK	1	
537 02 40-02	537024002	AIR FILTER	NYLON YELLOW	1	
537 02 40-03	537024003	AIR FILTER	FELT WHITE	1	
503 88 92-01	503889201	THROTTLE ROD		1	
503 28 32-08	503283208	CARBURETTOR	C3-EL18B, 340	1	
537 02 90-01	537029001	SUPPORT RING		1	
537 24 65-01	537246501	IMPULSE HOSE		1	
503 86 63-01	503866301	BELLOWS		1	
503 86 62-01	503866201	INSULATION WALL		1	
503 86 64-02	503866402	FLANGE		1	
503 86 97-02	503869702	SPRING		1	
503 86 95-02	503869502	STOP SWITCH		1	
503 86 96-01	503869601	CHOKE CONTROL		1	
503 86 94-01	503869401	INLET BEND		1	
503 21 74-50	503217450	SCREW IH SCT		2	

N *compl 503 28 32-08 ZAMA C3-EL18B (340)

ZAMA C3-EL18B



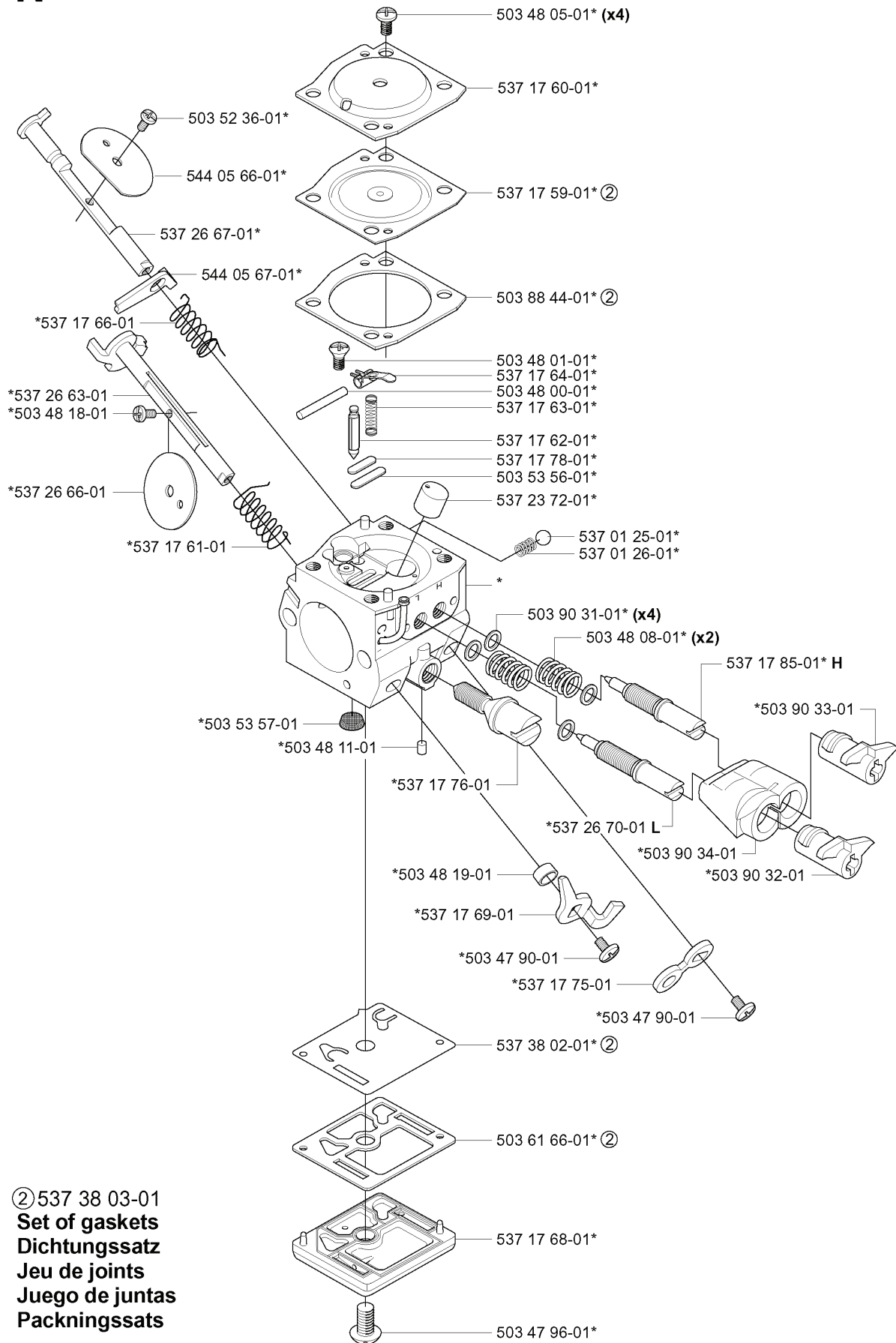
② 537 38 03-01
Set of gaskets
Dichtungssatz
Jeu de joints
Juego de juntas
Packingsatz

REF.	PART NO.	DESCRIPTION	REMARK	QTY.	KIT
503 28 32-08	503283208	CARBURETTOR	ZAMA C3-EL18B (340)	1	
503 52 36-01	503523601	SCREW		1	
537 26 68-01	537266801	VALVE		1	
537 26 67-01	537266701	SHAFT ASSY		1	
544 05 67-01	544056701	LEVER		1	
537 17 66-01	537176601	SPRING		1	
537 26 63-01	537266301	SHAFT ASSY		1	
503 48 18-01	503481801	SCREW		1	
537 26 66-01	537266601	VALVE		1	
537 17 61-01	537176101	SPRING		1	
503 53 57-01	503535701	STRAINER		1	
503 48 11-01	503481101	PIECE		1	
537 17 76-01	537177601	SCREW		1	
503 48 19-01	503481901	COLLAR		1	
537 17 69-01	537176901	LEVER		1	
537 17 75-01	537177501	LEVER		1	
503 47 90-01	503479001	SCREW		1	
537 38 02-01	537380201	DIAPHRAGM	537 38 03-01 SET OF GASKETS	1	
503 61 66-01	503616601	GASKET	537 38 03-01 SET OF GASKETS	1	
537 17 68-01	537176801	COVER		1	
503 47 96-01	503479601	SCREW		1	
503 90 32-01	503903201	LIMITER CAP		1	
503 90 34-01	503903401	RETAINER		1	
537 26 70-01	537267001	SCREW	L	1	
503 90 33-01	503903301	LIMITER CAP		1	
537 17 85-01	537178501	SCREW	H	1	
503 48 08-01	503480801	SPRING		2	
503 90 31-01	503903101	WASHER		4	
537 01 26-01	537012601	SPRING		1	
537 01 25-01	537012501	BALL		1	
537 23 72-01	537237201	NOZZLE ASSY		1	
503 53 56-01	503535601	PLUG WELCH		1	
537 17 78-01	537177801	PLUG		1	
537 17 62-01	537176201	VALVE		1	
537 17 63-01	537176301	SPRING		1	
503 48 00-01	503480001	PIN RETAINING SCREW		1	
537 17 64-01	537176401	LEVER		1	
503 48 01-01	503480101	SCREW		1	
503 88 44-01	503884401	GASKET	537 38 03-01 SET OF GASKETS	1	
537 17 59-01	537175901	DIAPHRAGM	537 38 03-01 SET OF GASKETS	1	
537 17 60-01	537176001	COVER		1	

REF.	PART NO.	DESCRIPTION	REMARK	QTY.	KIT
503 48 05- 01	503480501	SCREW		4	

N *compl 503 28 32-08 ZAMA C3-EL32 (340e, 345e, 350)
Correction: 503 28 32-10

ZAMA C3-EL32

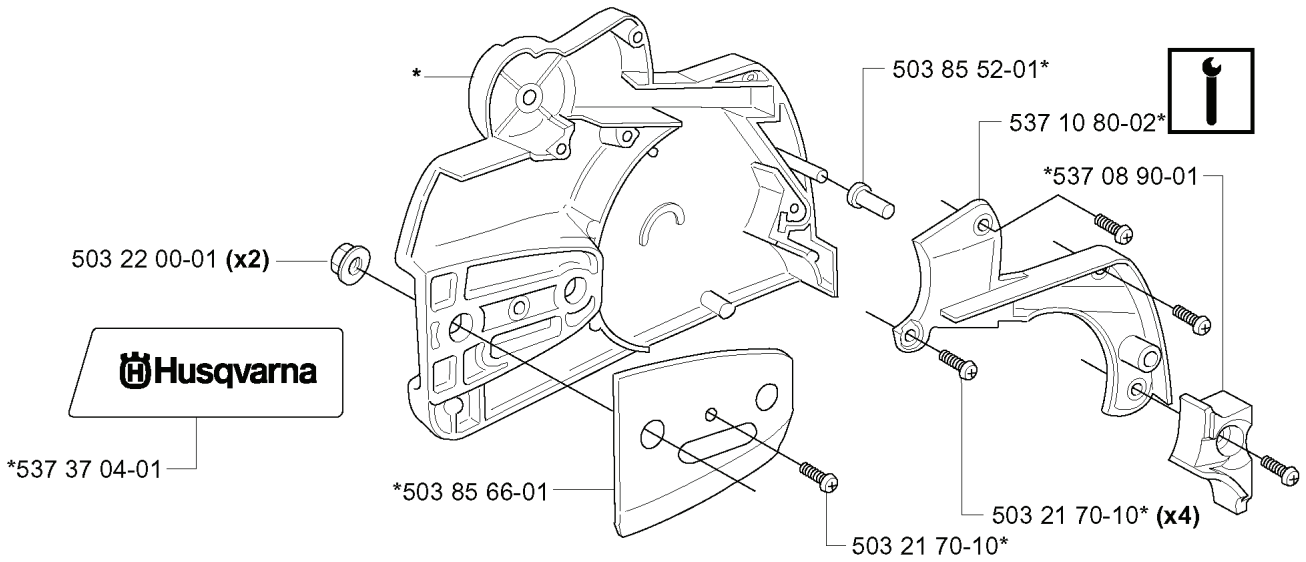
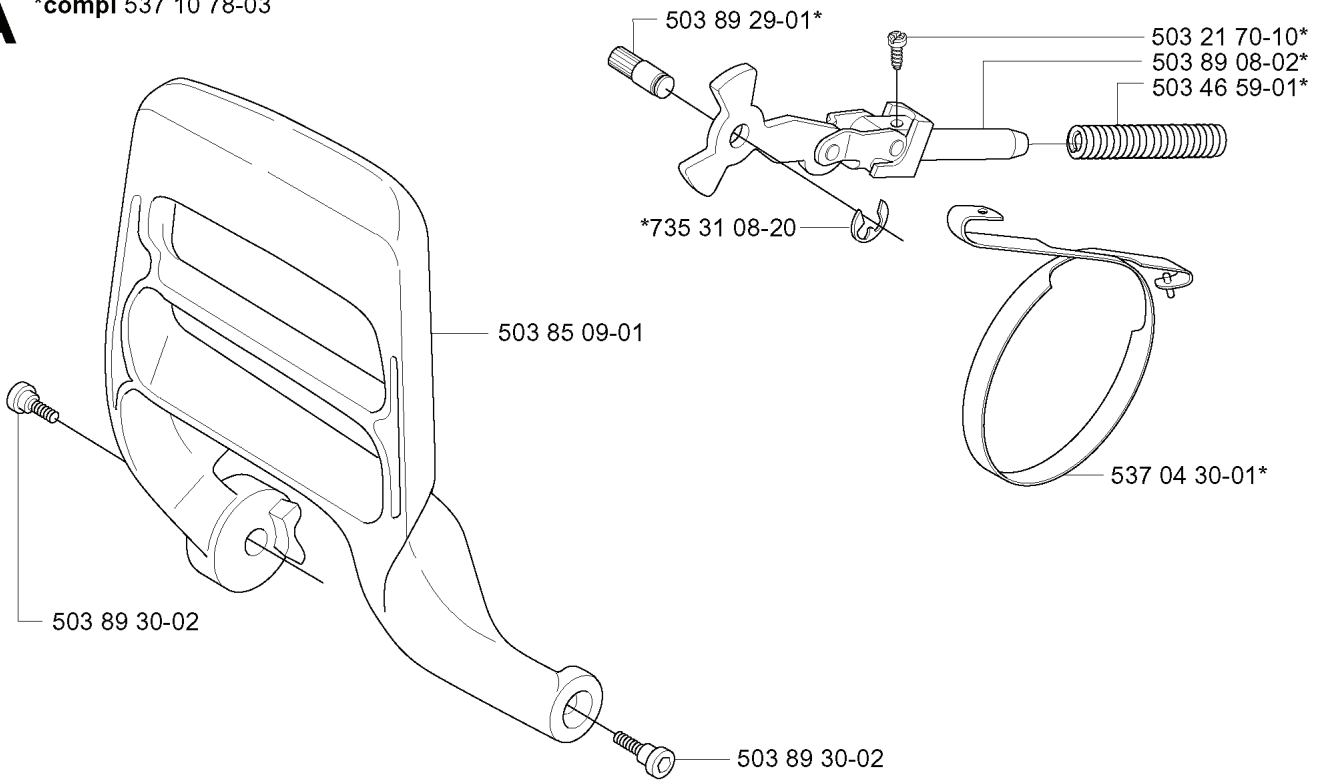


② 537 38 03-01
Set of gaskets
Dichtungssatz
Jeu de joints
Juego de juntas
Packningssats

REF.	PART NO.	DESCRIPTION	REMARK	QTY.	KIT
503 28 32-10	503283210	CARBURETTOR	CORRECTION:	1	
503 52 36-01	503523601	SCREW		1	
544 05 66-01	544056601	CHOKE VALVE		1	
537 26 67-01	537266701	SHAFT ASSY		1	
544 05 67-01	544056701	LEVER		1	
537 17 66-01	537176601	SPRING		1	
537 26 63-01	537266301	SHAFT ASSY		1	
503 48 18-01	503481801	SCREW		1	
537 26 66-01	537266601	VALVE		1	
537 17 61-01	537176101	SPRING		1	
503 53 57-01	503535701	STRAINER		1	
503 48 11-01	503481101	PIECE		1	
537 17 76-01	537177601	SCREW		1	
503 48 19-01	503481901	COLLAR		1	
537 17 69-01	537176901	LEVER		1	
537 17 75-01	537177501	LEVER		1	
503 47 90-01	503479001	SCREW		1	
537 38 02-01	537380201	DIAPHRAGM	537 38 03-01 SET OF GASKETS	1	
503 61 66-01	503616601	GASKET	537 38 03-01 SET OF GASKETS	1	
537 17 68-01	537176801	COVER		1	
503 47 96-01	503479601	SCREW		1	
503 90 32-01	503903201	LIMITER CAP		1	
503 90 34-01	503903401	RETAINER		1	
537 26 70-01	537267001	SCREW	L	1	
503 90 33-01	503903301	LIMITER CAP		1	
537 17 85-01	537178501	SCREW	H	1	
503 48 08-01	503480801	SPRING		2	
503 90 31-01	503903101	WASHER		4	
537 01 26-01	537012601	SPRING		1	
537 01 25-01	537012501	BALL		1	
537 23 72-01	537237201	NOZZLE ASSY		1	
503 53 56-01	503535601	PLUG WELCH		1	
537 17 78-01	537177801	PLUG		1	
537 17 62-01	537176201	VALVE		1	
537 17 63-01	537176301	SPRING		1	
503 48 00-01	503480001	PIN RETAINING SCREW		1	
537 17 64-01	537176401	LEVER		1	
503 48 01-01	503480101	SCREW		1	
503 88 44-01	503884401	GASKET	537 38 03-01 SET OF GASKETS	1	
537 17 59-01	537175901	DIAPHRAGM	537 38 03-01 SET OF GASKETS	1	
537 17 60-01	537176001	COVER		1	

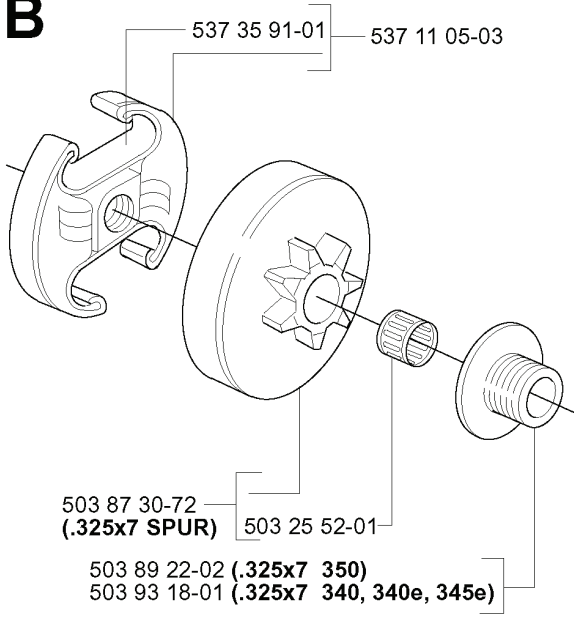
REF.	PART NO.	DESCRIPTION	REMARK	QTY.	KIT
503 48 05- 01	503480501	SCREW		4	

A *compl 537 10 78-03

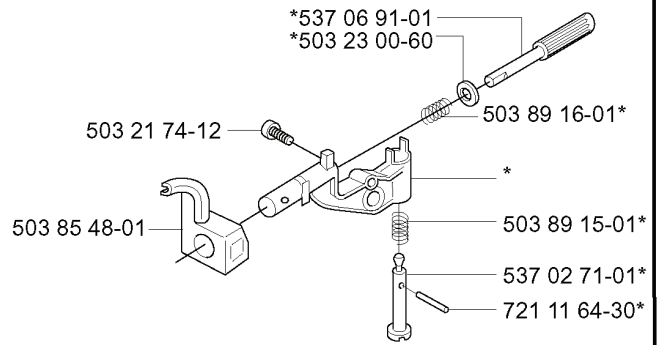


REF.	PART NO.	DESCRIPTION	REMARK	QTY.	KIT
537 10 78-03	537107803	CHAIN BRAKE		1	
503 89 29-01	503892901	PIN		1	
735 31 08-20	735310820	E-CLIP		1	
503 85 09-01	503850901	HAND GUARD		1	
503 22 00-01	503220001	HEXAGON NUT		2	
537 37 04-01	537370401	LABEL		1	
503 85 66-01	503856601	COVER PLATE		1	
503 89 30-02	503893002	SCREW		1	
503 85 52-01	503855201	GUIDE BUSHING		1	
503 21 70-10	503217010	SCREW CCRPANT		4	
537 08 90-01	537089001	WEAR PROTECTION		1	
537 10 80-02	537108002	HUB CAP		1	
537 04 30-01	537043001	BRAKE BAND ASSY		1	
503 46 59-01	503465901	BRAKE SPRING		1	
503 89 08-02	503890802	KNEE JOINT ASSY		1	

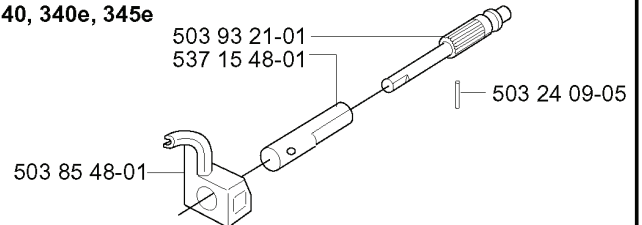
B



***compl 537 10 55-01 (350)**



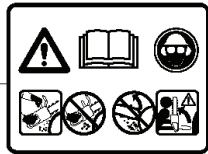
340, 340e, 345e



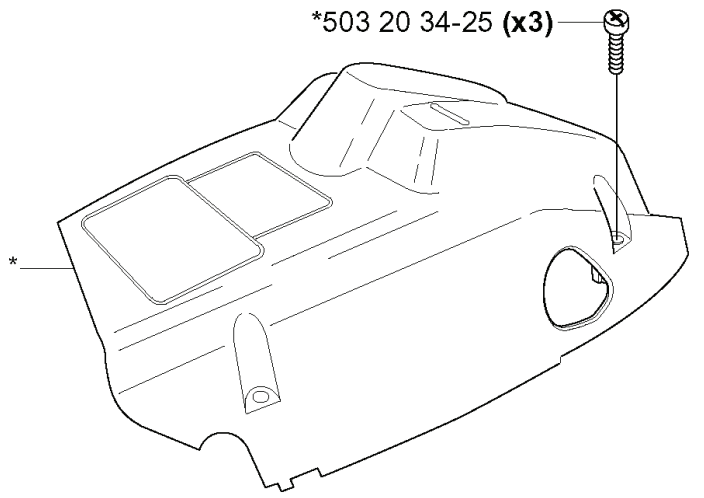
REF.	PART NO.	DESCRIPTION	REMARK	QTY.	KIT
537 35 91-01	537359101	CLUTCH SPRING		1	
537 11 05-03	537110503	CLUTCH ASSY		1	
503 87 30-72	503873072	CLUTCH DRUM ASSY	.325X7 SPUR	1	
503 89 22-02	503892202	PUMP PINION	.325X7 350	1	
503 93 18-01	503931801	PUMP PINION	.325X7 340, 340E, 345E	1	
503 25 52-01	503255201	NEEDLE BEARING		1	
503 21 74-12	503217412	SCREW IHST		1	
503 85 48-01	503854801	SEALING		1	
537 15 48-01	537154801	PUMP CYLINDER		1	
503 93 21-01	503932101	PUMP PISTON		1	
503 24 09-05	503240905	NEEDLE ROLLER		1	
721 11 64-30	721116430	GROOVED PIN		1	
537 02 71-01	537027101	ADJUSTER		1	
503 89 15-01	503891501	SPRING		1	
503 89 16-01	503891601	SPRING		1	
503 23 00-60	503230060	WASHER		1	
537 06 91-01	537069101	PUMP PISTON		1	
537 10 55-01	537105501	OIL PUMP	350	1	

C *compl 537 42 19-01 (350)

*503 98 74-01



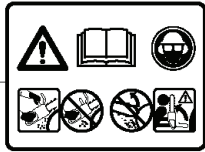
*503 20 34-25 (x3)



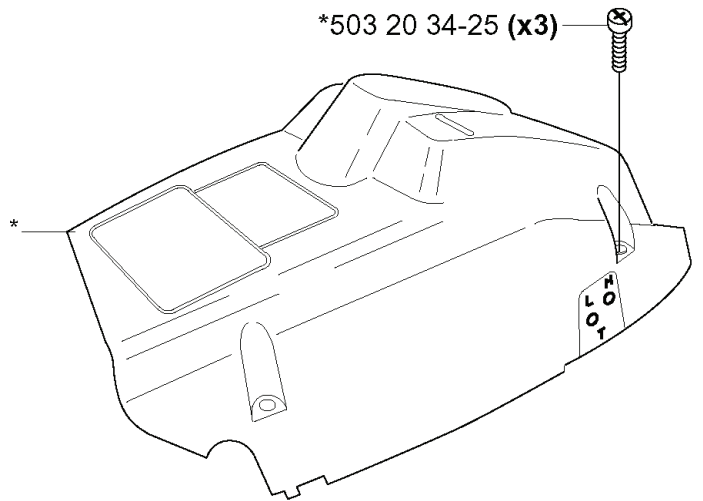
REF.	PART NO.	DESCRIPTION	REMARK	QTY.	KIT
537 42 19-01	537421901	CYLINDER COVER	350	1	
503 98 74-01	503987401	LABEL		1	
503 20 34-25	503203425	SCREW CCRPANMO		3	

C *compl 503 91 05-01 (340)

*503 98 74-01



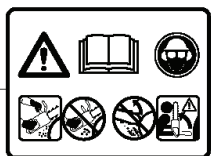
*503 20 34-25 (x3)



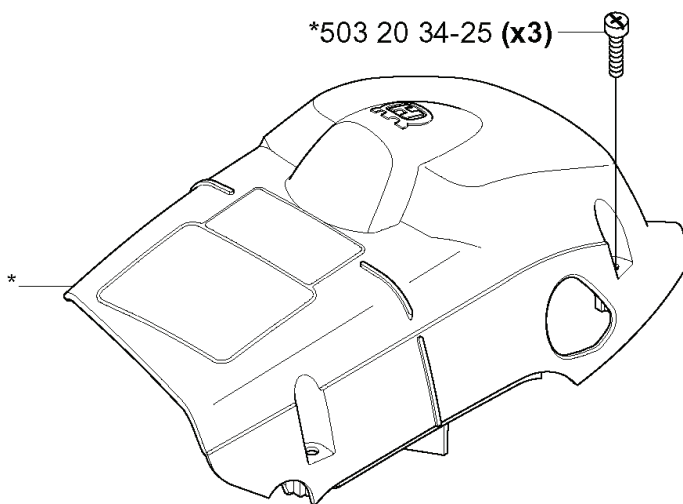
REF.	PART NO.	DESCRIPTION	REMARK	QTY.	KIT
5039105-01	503910501	CYLINDER COVER ASSY	340	1	
5039874-01	503987401	LABEL		1	
5032034-25	503203425	SCREW CCRPANMO		3	

C *compl 537 42 20-01 (340e, 345e)

*503 98 74-01



*503 20 34-25 (x3)

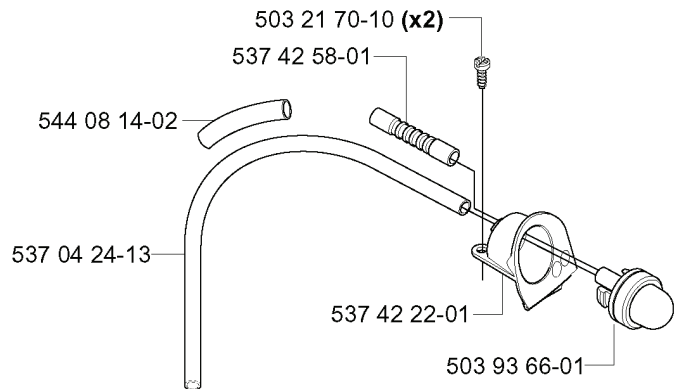
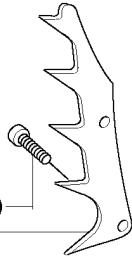


REF.	PART NO.	DESCRIPTION	REMARK	QTY.	KIT
537 42 20-01	537422001	CYLINDER COVER	340E, 345E	1	
503 98 74-01	503987401	LABEL		1	
503 20 34-25	503203425	SCREW CCRPANMO		3	

J

***compl 537 17 20-03**

503 21 75-20 (x2)
503 90 59-01



503 21 70-10 (x2)

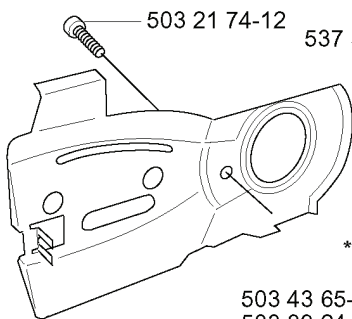
537 42 58-01

544 08 14-02

537 04 24-13

537 42 22-01

503 93 66-01



503 21 74-12

537 32 40-01 (350)

503 87 57-01

*503 86 92-01

*503 21 51-01

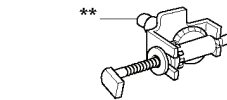
503 43 65-01
503 89 24-01

*503 87 54-01 (x2)

*537 04 03-01

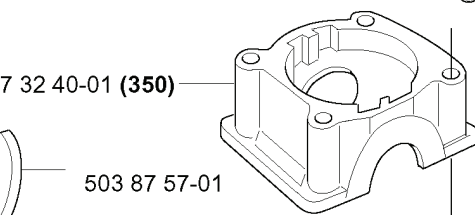
****compl 537 07 12-01
(345e, 350)**

**



501 54 63-01
501 45 41-01
503 87 94-01

(340, 340e)



537 14 65-01

503 86 93-01 (x2)

503 22 69-02 (x3)

503 88 86-01

503 21 74-12

503 86 92-01*
503 21 51-01*

503 87 59-01

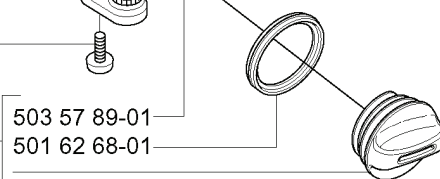
503 20 05-27 (350 x4)

503 87 55-01*

503 21 70-10*

compl 537 28 15-02

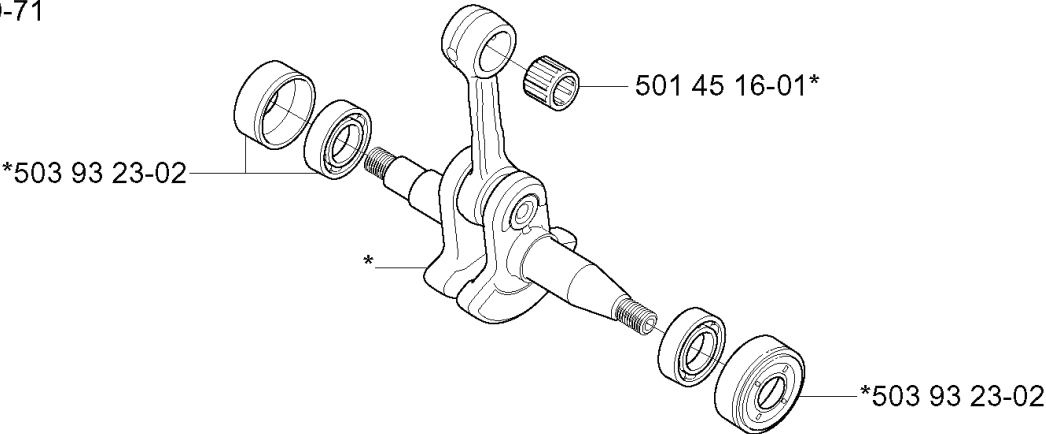
503 57 89-01
501 62 68-01



REF.	PART NO.	DESCRIPTION	REMARK	QTY.	KIT
537 17 20-03	537172003	CRANKCASE ASSY		1	
503 21 75-20	503217520	SCREW IHSCFT		2	
503 90 59-01	503905901	SPIKE		1	
503 21 74-12	503217412	SCREW IHSCFT		1	
537 32 40-01	537324001	BEARING COVER	350	1	
503 87 57-01	503875701	CHAIN GUIDE PLATE		1	
503 21 51-01	503215101	SCREW IHSCFT		1	
503 43 65-01	503436501	POSITION SPRING		1	
503 89 24-01	503892401	LOCK		1	
503 87 54-01	503875401	BAR BOLT		2	
537 04 03-01	537040301	VALVE		1	
537 07 12-01	537071201	CHAIN TENSIONER	345E, 350	1	
501 54 63-01	501546301	SCREW	340, 340E	1	
501 45 41-01	501454101	NUT	340, 340E	1	
503 87 94-01	503879401	RETAINER	340, 340E	1	
537 28 15-02	537281502	TANK CAP ASSY		1	
501 62 68-01	501626801	GASKET		1	
503 57 89-01	503578901	HOLDER		1	
503 21 70-10	503217010	SCREW CCRPANT		1	
503 87 55-01	503875501	OIL SCREEN		1	
503 20 05-27	503200527	SCREW IHSCM	350 X4	1	
503 87 59-01	503875901	GROUND PLATE		1	
503 86 92-01	503869201	BUSHING		1	
503 88 86-01	503888601	AIR NOZZLE		1	
503 22 69-02	503226902	NUT		3	
503 86 93-01	503869301	SUPPORT		2	
537 14 65-01	537146501	BELLOWS		1	
503 93 66-01	503936601	PURGE		1	
537 42 22-01	537422201	BRACKET		1	
537 04 24-13	537042413	FUEL HOSE		1	
544 08 14-02	544081402	PROTECTIVE HOSE		1	
537 42 58-01	537425801	SUCTION HOSE		1	

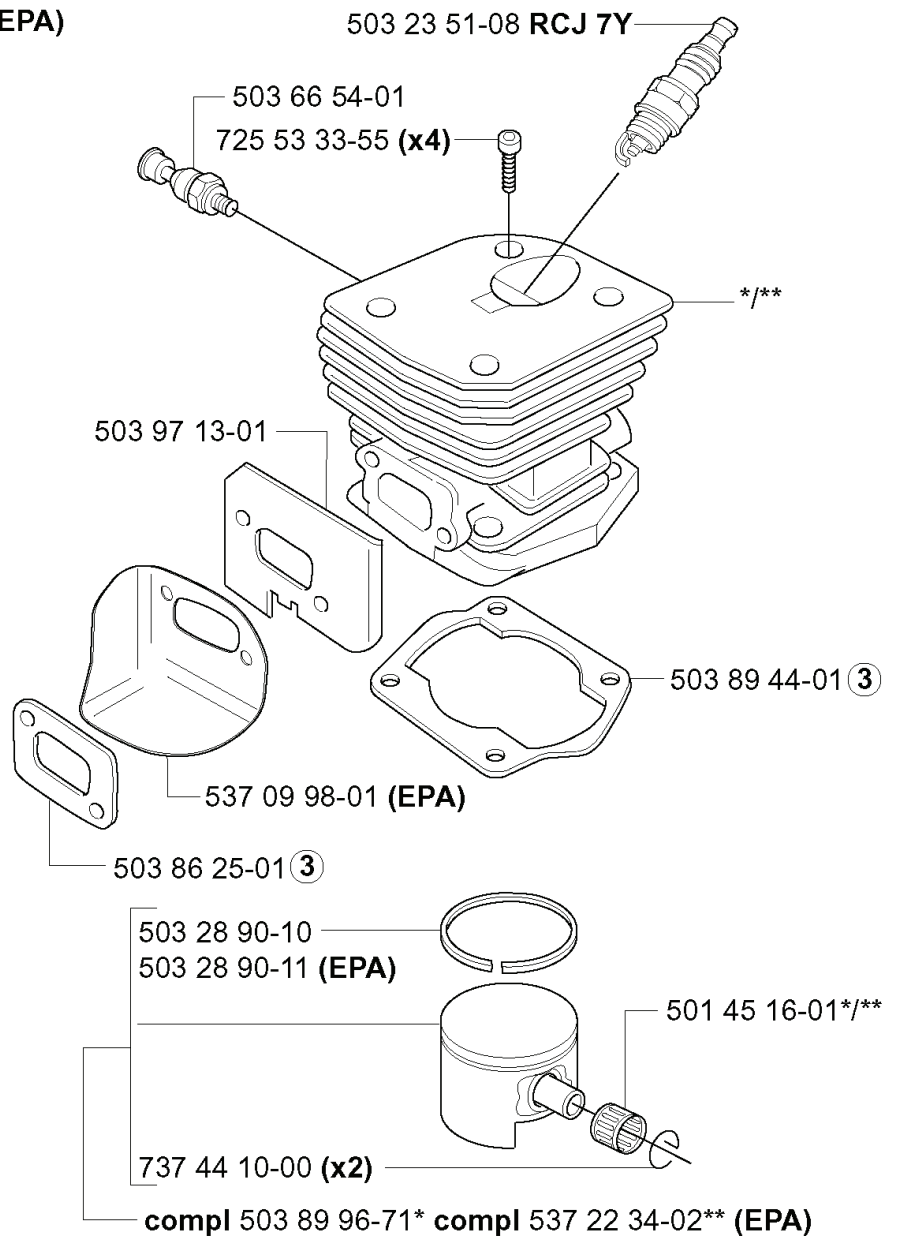
H

*compl 503 85 80-71



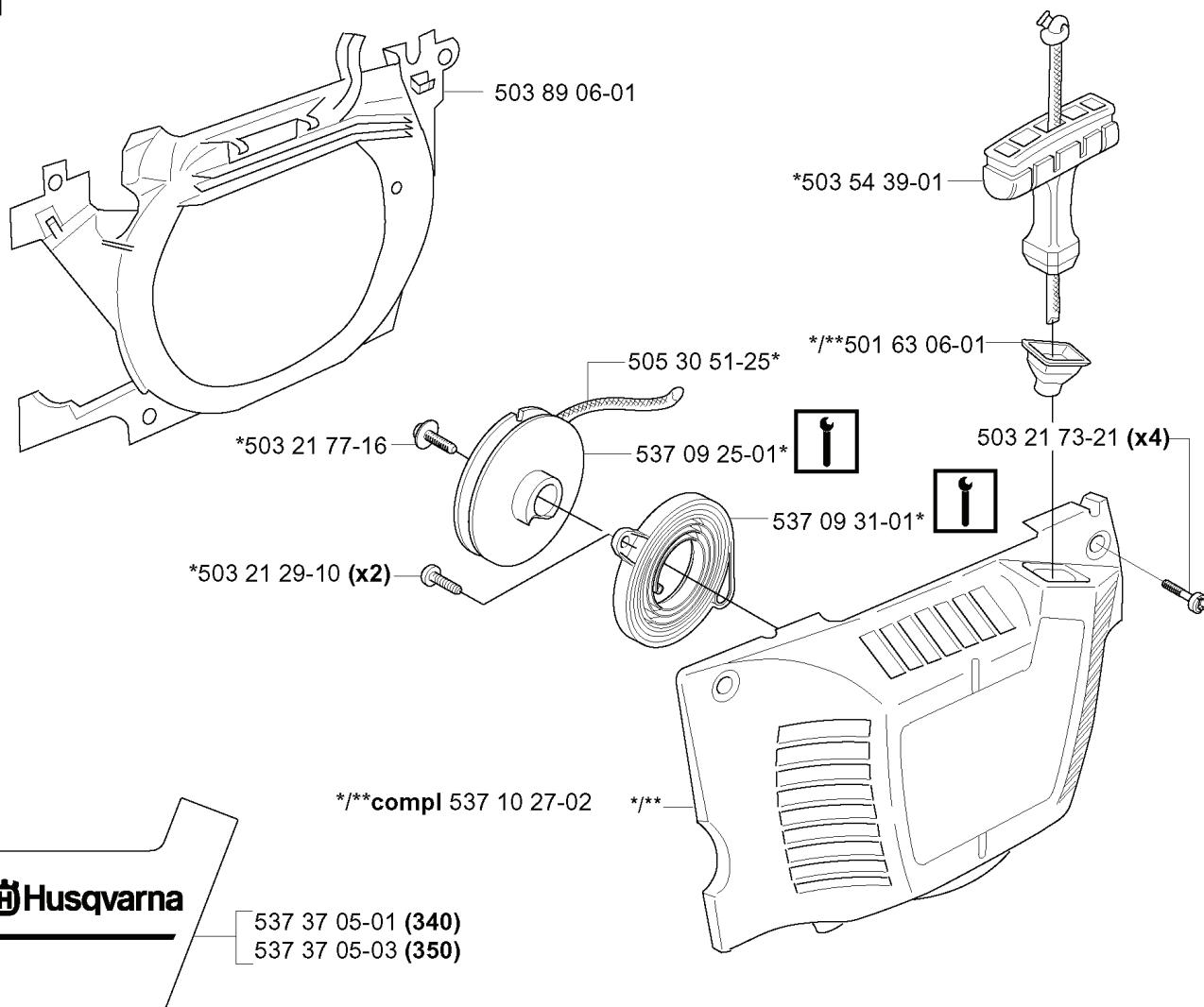
REF.	PART NO.	DESCRIPTION	REMARK	QTY.	KIT
503 85 80-71	503858071	CRANKSHAFT		1	
503 93 23-02	503932302	BEARING CAGE		1	
501 45 16-01	501451601	NEEDLE BEARING		1	

G ****compl 537 25 30-02 (350EPA)**
***compl 503 86 99-71 (350)**



REF.	PART NO.	DESCRIPTION	REMARK	QTY.	KIT
537 25 30-02	537253002	CYLINDER ASSY	350EPA	1	
503 86 99-71	503869971	CYLINDER ASSY	350	1	
503 23 51-08	503235108	SPARK PLUG	RCJ 7Y	1	
503 66 54-01	503665401	DECOMPRESSION VALVE		1	
725 53 33-55	725533355	SCREW IHSCM		4	
503 97 13-01	503971301	HEAT DEFLECTOR		1	
537 09 98-01	537099801	HEAT DEFLECTOR	EPA	1	
503 86 25-01	503862501	GASKET		1	
503 28 90-10	503289010	PISTON RING		1	
503 28 90-11	503289011	PISTON RING	EPA	1	
737 44 10-00	737441000	SNAP RING		2	
503 89 96-71	503899671	PISTON ASSY		1	
537 22 34-02	537223402	PISTON ASSY	EPA	1	
501 45 16-01	501451601	NEEDLE BEARING		1	
503 89 44-01	503894401	GASKET		1	

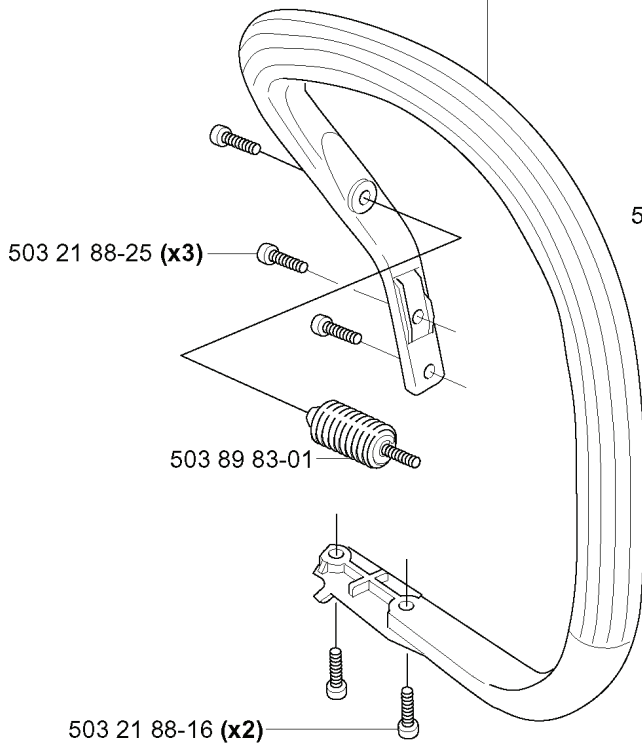
M *compl 537 10 47-02



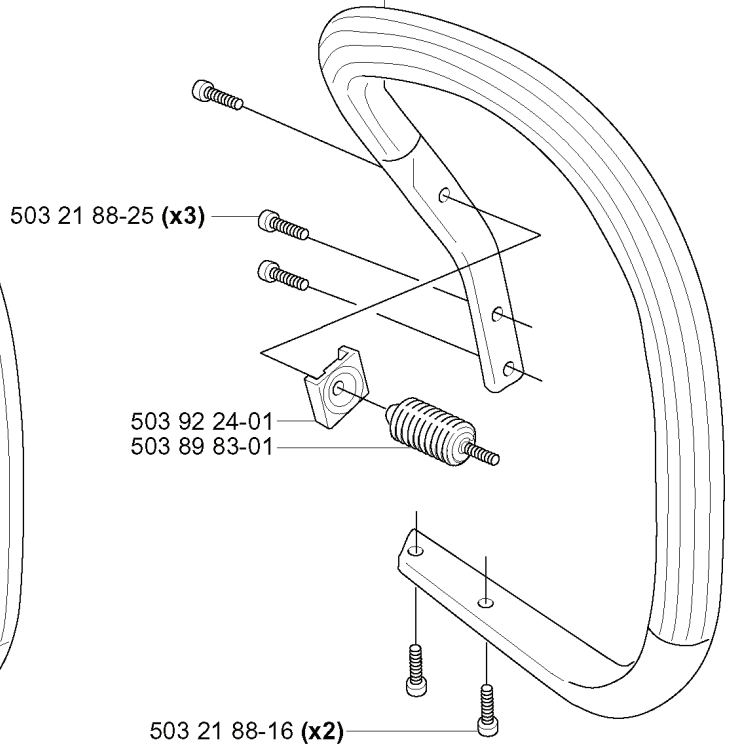
REF.	PART NO.	DESCRIPTION	REMARK	QTY.	KIT
537 10 47-02	537104702	STARTER ASSY		1	
503 21 77-16	503217716	SCREW IHSCT		1	
503 21 29-10	503212910	SCREW CCRPANT		2	
537 10 27-02	537102702	STARTER HOUSING		1	
537 37 05-01	537370501	LABEL	340	1	
537 37 05-03	537370503	LABEL	350	1	
537 09 31-01	537093101	SPRING CASSETTE ASSY		1	
537 09 25-01	537092501	STARTER PULLEY		1	
505 30 51-25	505305125	STARTER ROPE		1	
503 89 06-01	503890601	AIR CONDUCTOR		1	
503 54 39-01	503543901	STARTER HANDLE		1	
501 63 06-01	501630601	SLEEVE		1	
503 21 73-21	503217321	SCREW		4	

L

503 85 37-01 (340, 340e, 345e)

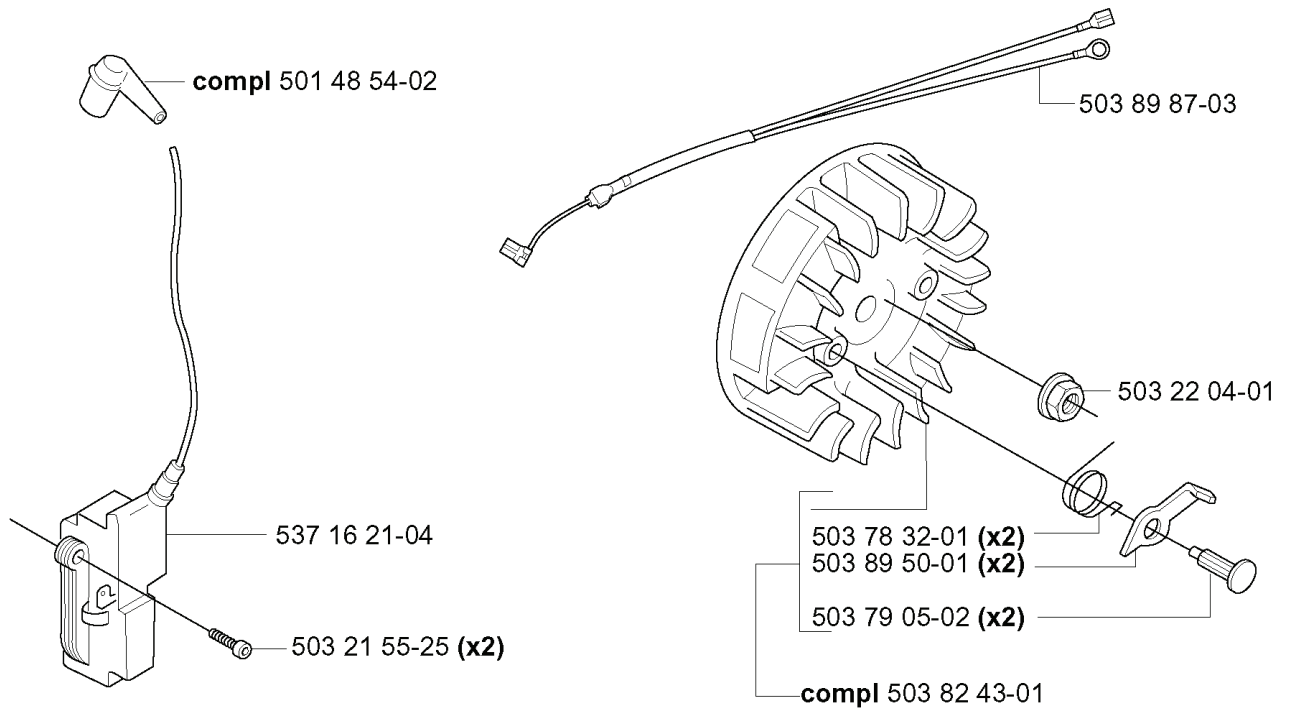


537 30 17-01 (350)



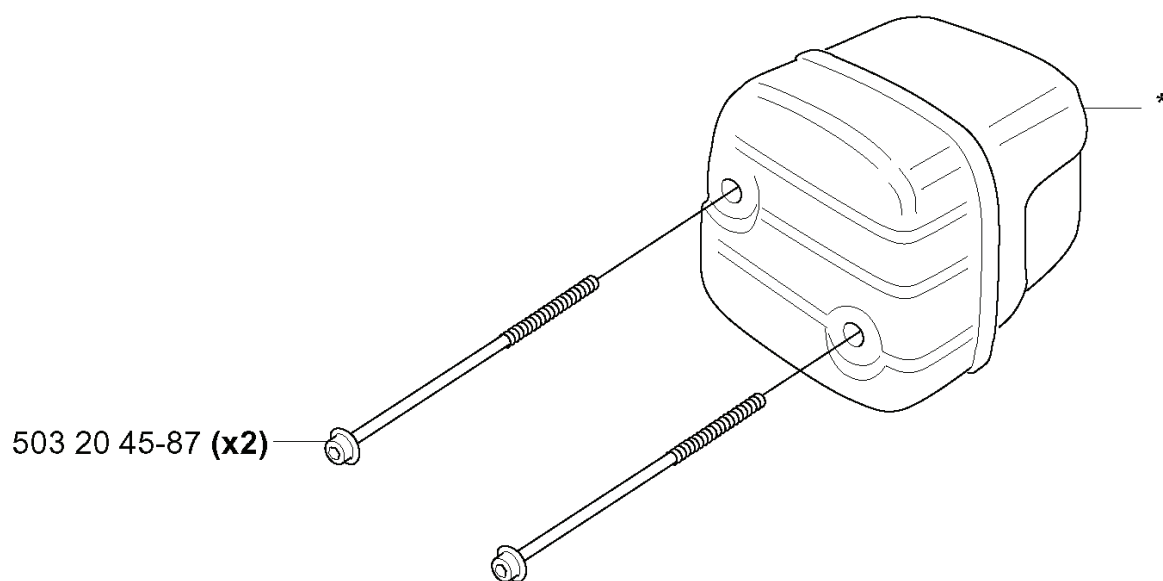
REF.	PART NO.	DESCRIPTION	REMARK	QTY.	KIT
503 85 37-01	503853701	FRONT HANDLE	340, 340E, 345E	1	
503 21 88-25	503218825	SCREW IHSCFT		3	
503 21 88-16	503218816	SCREW IHSCFT		2	
503 89 83-01	503898301	ANTIVIBRATION ELEMENT		1	
503 92 24-01	503922401	SPACER		1	
537 30 17-01	537301701	HANDLE	350	1	

D



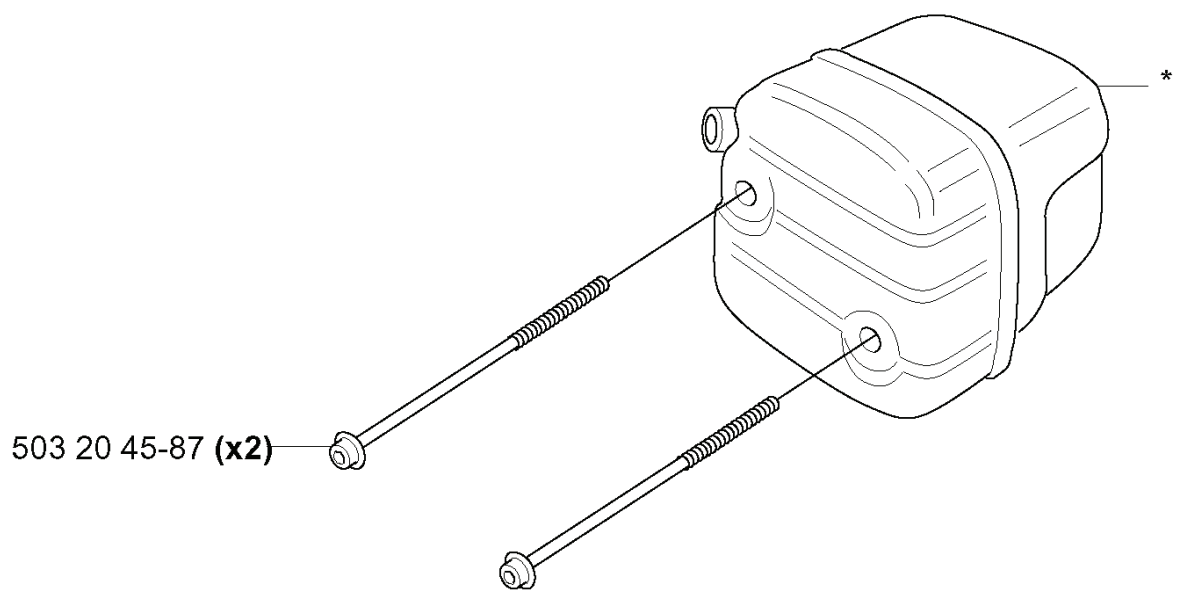
REF.	PART NO.	DESCRIPTION	REMARK	QTY.	KIT
501 48 54-02	501485402	SPARK PLUG CAP		1	
537 16 21-04	537162104	IGNITION SYSTEM		1	
503 21 55-25	503215525	SCREW IHSCT		2	
503 82 43-01	503824301	FLYWHEEL		1	
503 79 05-02	503790502	RIVET		2	
503 89 50-01	503895001	STARTER PAWL		2	
503 78 32-01	503783201	SPRING		2	
503 22 04-01	503220401	NUT		1	
503 89 87-03	503898703	WIRING ASSY		1	

E *compl 503 87 96-02 (FG) 340, 340e, 345



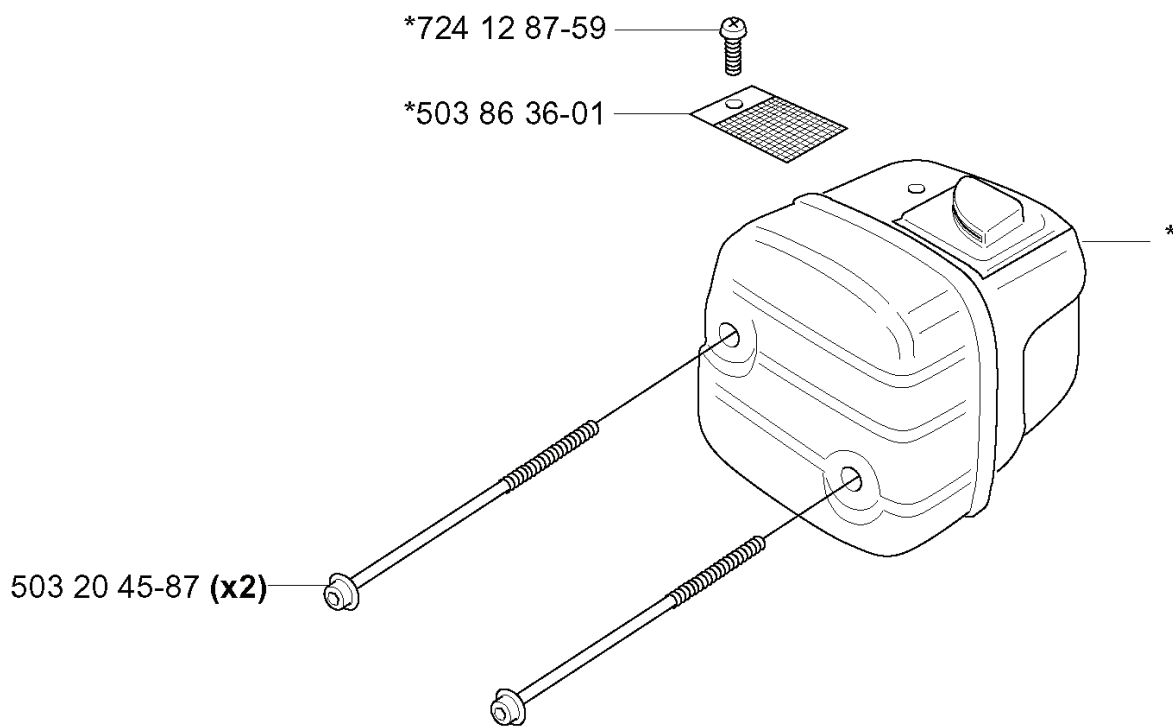
REF.	PART NO.	DESCRIPTION	REMARK	QTY.	KIT
503 87 96-02	503879602	MUFFLER ASSY	(FG) 340. 340E. 345	1	
503 20 45-87	503204587	SCREW IHSCFM		2	

E *compl 503 86 27-03 (EU) 350



REF.	PART NO.	DESCRIPTION	REMARK	QTY.	KIT
503 86 27-03	503862703	MUFFLER ASSY	(EU) 350	1	
503 20 45-87	503204587	SCREW IHSCFM		2	

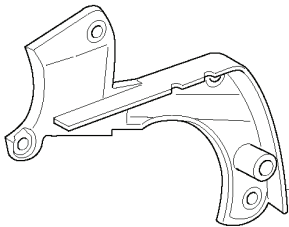
E *compl 503 86 28-03 (DF) 340, 340e, 345, 350



REF.	PART NO.	DESCRIPTION	REMARK	QTY.	KIT
503 86 28-03	503862803	MUFFLER ASSY	(DF) 340, 340E, 345, 350	1	
724 12 87-59	724128759	SCREW CRPANM		1	
503 86 36-01	503863601	SPARK ARRESTER SCREEN		1	
503 20 45-87	503204587	SCREW IHSCFM		2	

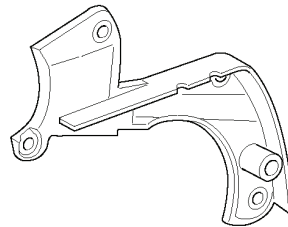
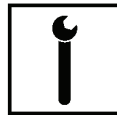
Q

Up to 991499999



503 89 07-02

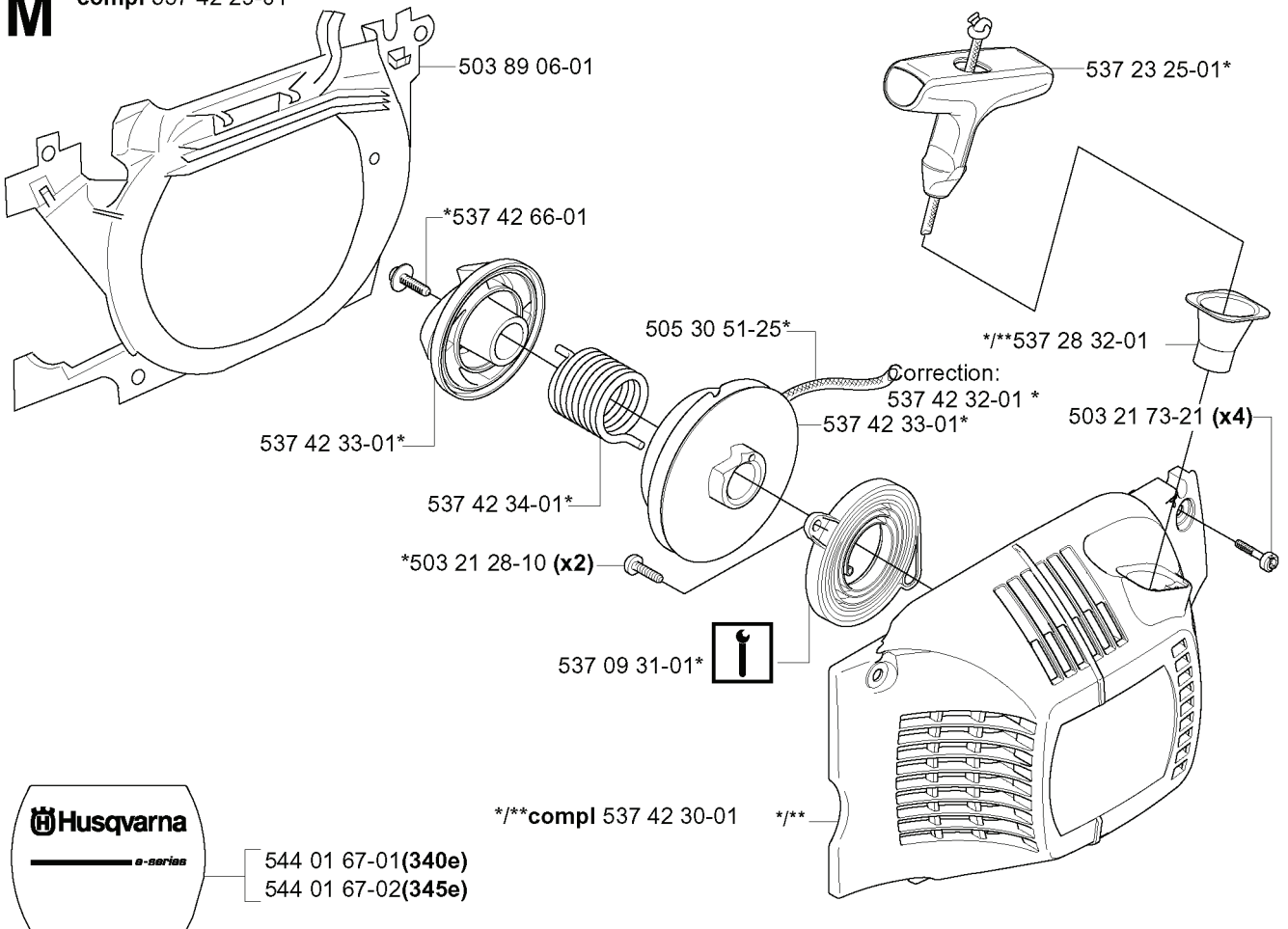
**From 991500001
to 001400001**



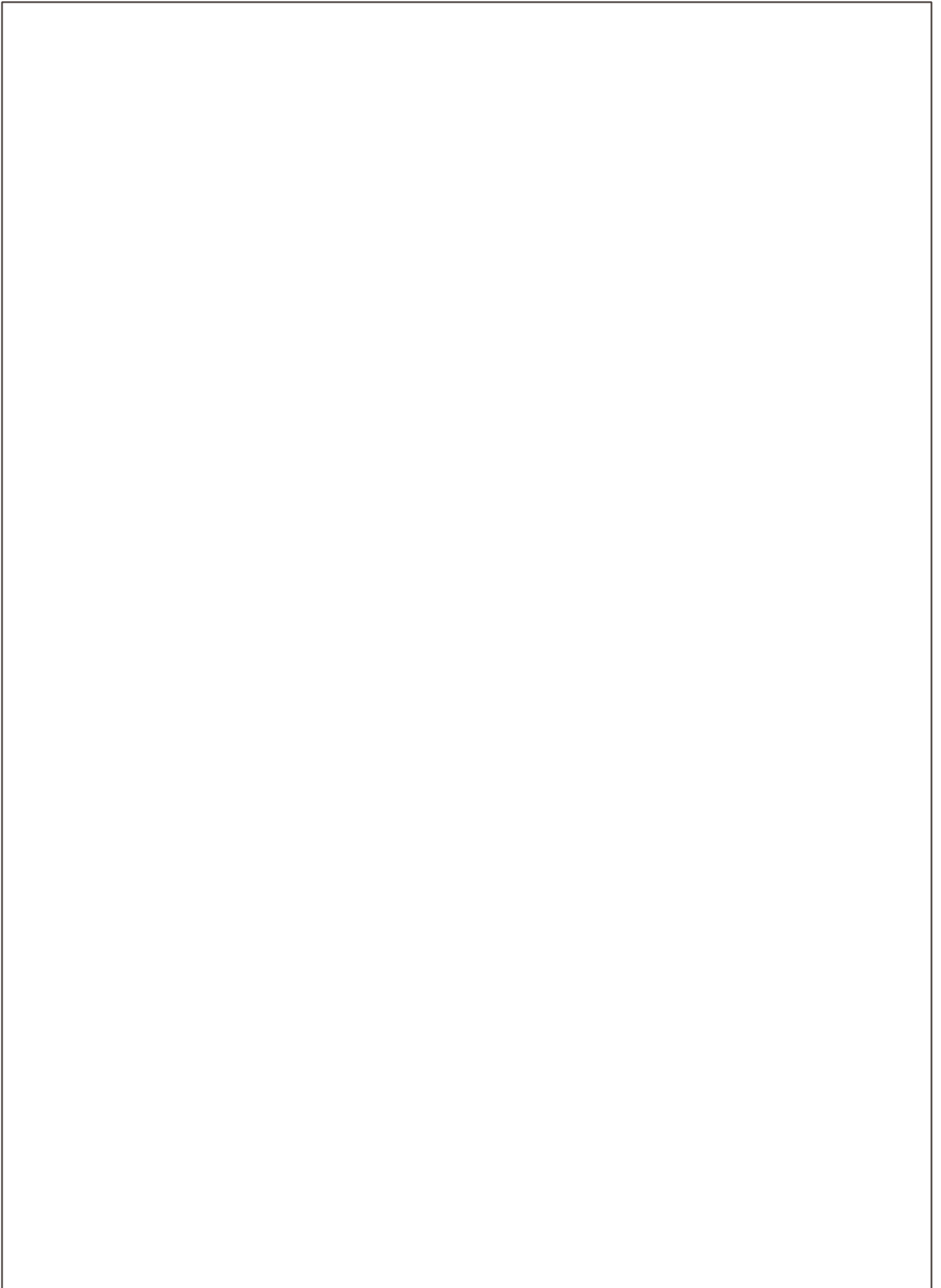
537 10 80-01

REF.	PART NO.	DESCRIPTION	REMARK	QTY.	KIT
503 89 07-02	503890702	HUB CAP		1	
537 10 80-01	537108001	HUB CAP		1	
503 89 99-71	503899971	CYLINDER ASSY	350	1	
503 85 99-01	503859901	RECOIL SPRING		1	
503 86 99-71	503869971	CYLINDER ASSY		1	
503 28 90-10	503289010	PISTON RING		1	
737 44 10-00	737441000	SNAP RING		2	
503 87 63-01	503876301	STARTER PULLEY		1	
503 89 96-71	503899671	PISTON ASSY		1	
537 32 40-01	537324001	BEARING COVER	350	1	
503 92 60-01	503926001	COVER PLATE		1	
501 45 16-01	501451601	NEEDLE BEARING		1	
537 37 05-02	537370502	LABEL		1	

M *compl 537 42 29-01

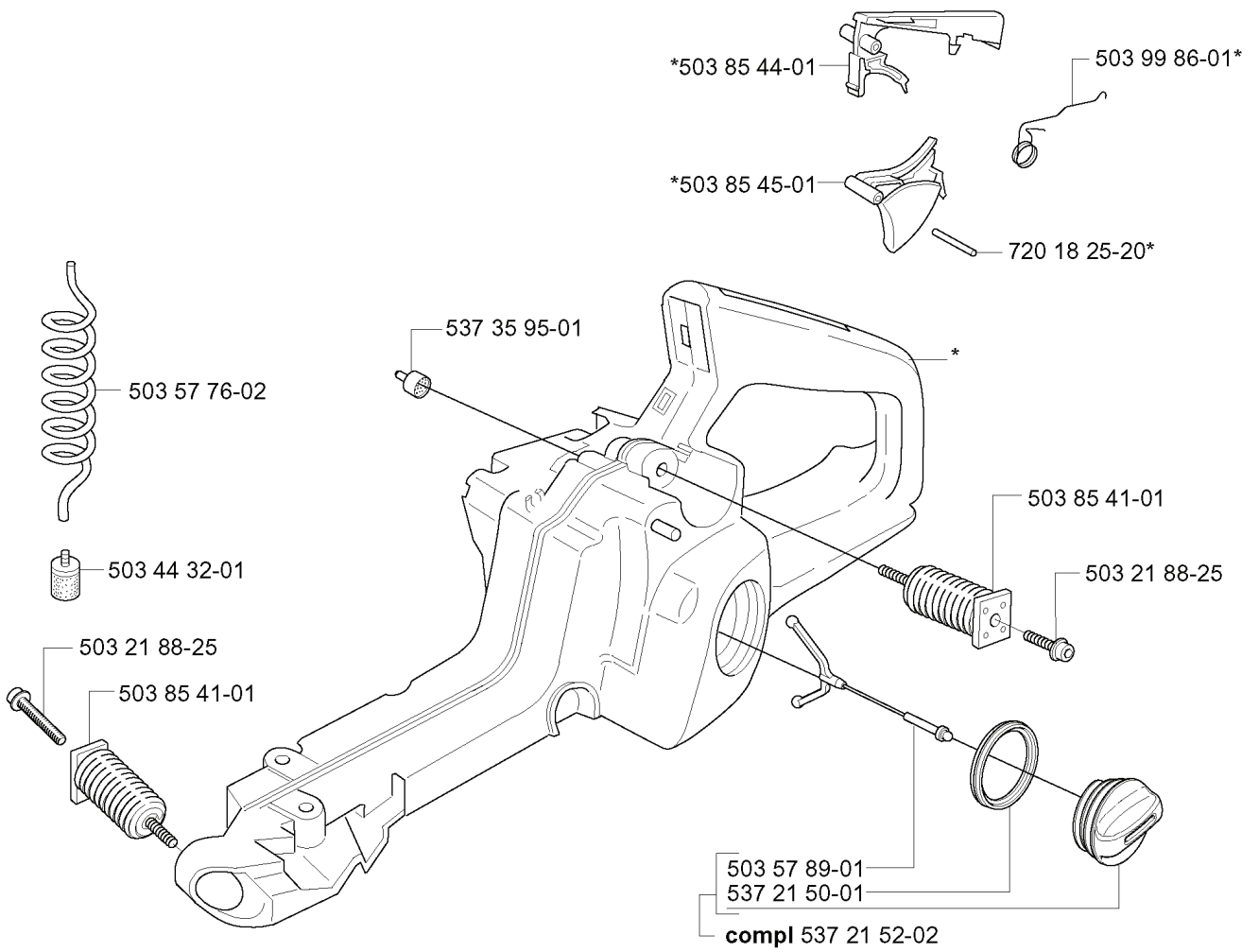


REF.	PART NO.	DESCRIPTION	REMARK	QTY.	KIT
537 42 29-01	537422901	STARTER ASSY		1	
544 01 67-01	544016701	LABEL	340E	1	
544 01 67-02	544016702	LABEL	345E	1	
537 42 30-01	537423001	STARTER HOUSING		1	
537 09 31-01	537093101	SPRING CASSETTE ASSY		1	
503 21 28-10	503212810	SCREW CCRPANT		2	
537 42 34-01	537423401	SPRING		1	
537 42 66-01	537426601	SCREW		1	
503 89 06-01	503890601	AIR CONDUCTOR		1	
505 30 51-25	505305125	STARTER ROPE		1	
537 42 32-01	537423201	STARTER PULLEY	CORRECTION:	1	
537 42 33-01	537423301	DRIVER		1	
503 21 73-21	503217321	SCREW		4	
537 28 32-01	537283201	SLEEVE		1	
537 23 25-01	537232501	STARTER HANDLE		1	



REF.	PART NO.	DESCRIPTION	REMARK	QTY.	KIT
503 87 00-76	503870076	CYLINDER ASSY	340, 340E	1	
503 87 02-76	503870276	CYLINDER ASSY	345E	1	
503 23 51-08	503235108	SPARK PLUG	RCJ 7Y	1	
503 66 54-01	503665401	DECOMPRESSION VALVE	345E	1	
503 55 22-01	503552201	PLUG	345E	1	
503 97 13-01	503971301	HEAT DEFLECTOR		1	
503 86 25-01	503862501	GASKET		1	
503 28 90-03	503289003	PISTON RING	340, 340E	1	
503 28 90-05	503289005	PISTON RING	345E	1	
737 44 10-00	737441000	SNAP RING		2	
503 87 01-71	503870171	PISTON ASSY	340, 340E	1	
503 90 73-71	503907371	PISTON ASSY	345E	1	
503 20 05-32	503200532	SCREW IHSCM		4	
501 45 16-01	501451601	NEEDLE BEARING		1	
503 92 60-02	503926002	COVER PLATE		2	

K *compl 503 86 37-03



REF.	PART NO.	DESCRIPTION	REMARK	QTY.	KIT
503 86 37-03	503863703	FUEL TANK		1	
503 85 44-01	503854401	THROTTLE LOCKOUT		1	
503 85 45-01	503854501	TRIGGER		1	
537 35 95-01	537359501	TANK VENT ASSY		1	
503 57 76-02	503577602	FUEL HOSE		1	
503 44 32-01	503443201	FUEL FILTER		1	
503 21 88-25	503218825	SCREW IHSCFT		1	
503 85 41-01	503854101	ANTIVIBRATION ELEMENT		1	
537 21 52-02	537215202	TANK CAP ASSY		1	
537 21 50-01	537215001	SEALING		1	
503 57 89-01	503578901	HOLDER		1	
720 18 25-20	720182520	PARALLEL PIN		1	
503 99 86-01	503998601	RECOIL SPRING		1	