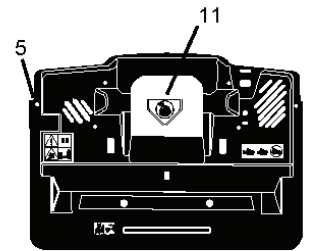
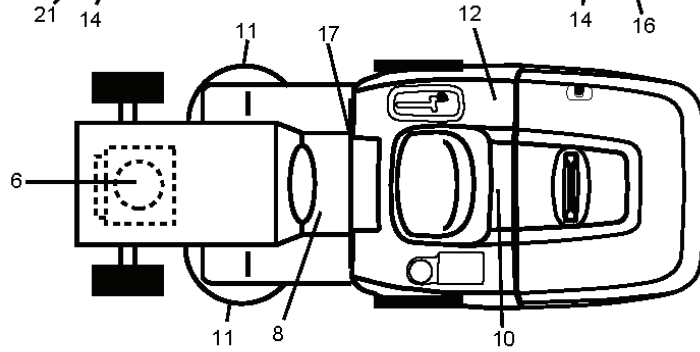
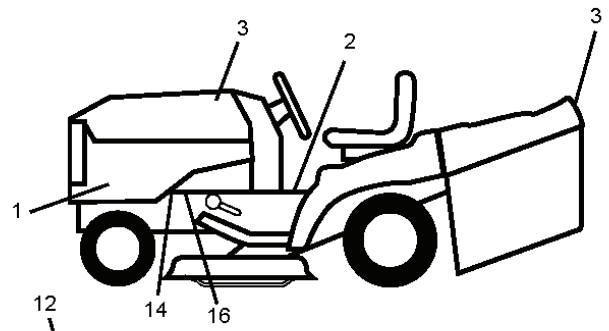
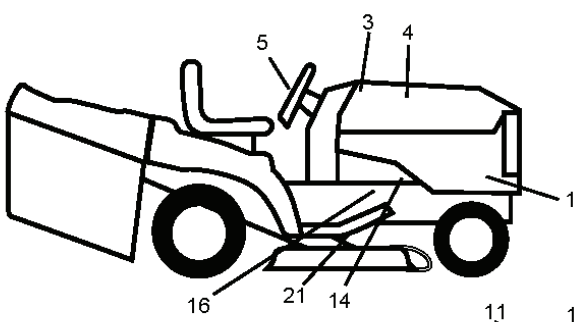


CT151, 96061018008, 2009-02

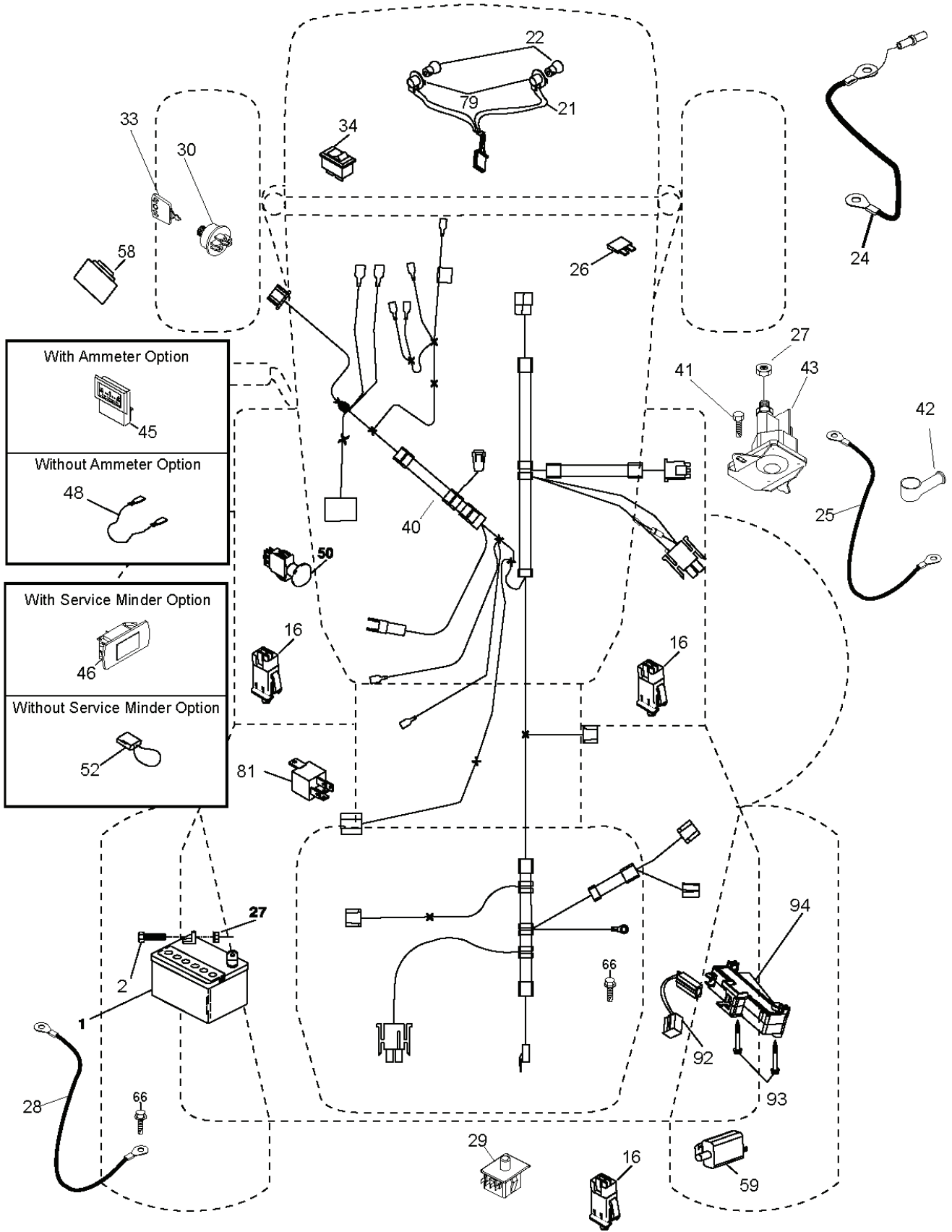
SPARE PARTS LIST

| REF. | PART NO. | DESCRIPTION | REMARK | QTY. | KIT |
|------|-----------|---------------|--------|------|-----|
| 1 | 532174620 | CHASSIS | | 1 | |
| 2 | 532180384 | DRAWBAR | | 1 | |
| 3 | 817060612 | SCREW | | 1 | |
| 5 | 532407590 | DAMPING PIECE | | 1 | |
| 6 | 532184419 | PLATE | | 1 | |
| 8 | 532126471 | CLIP | | 1 | |
| 9 | 532409467 | PANEL | | 1 | |
| 10 | 872140608 | BOLT | | 1 | |
| 11 | 532174996 | DASHBOARD | | 1 | |
| 13 | 532172106 | DASH | | 1 | |
| 15 | 874180512 | SCREW | | 1 | |
| 16 | 873510500 | NUT | | 1 | |
| 17 | 532411073 | HOOD | | 1 | |
| 18 | 532404742 | DAMPING PIECE | | 1 | |
| 24 | 874780616 | BOLT | | 1 | |
| 25 | 819131312 | WASHER | | 1 | |
| 26 | 873800600 | NUT | | 1 | |
| 28 | 532406667 | FRONT COVER | | 1 | |
| 30 | 532197376 | GUARD | | 1 | |
| 31 | 532165156 | BRACKET | | 1 | |
| 33 | 532181057 | FOOTREST | | 1 | |
| 34 | 532181058 | FOOTREST | | 1 | |
| 35 | 872110606 | BOLT | | 1 | |
| 37 | 817490508 | SCREW | | 1 | |
| 38 | 532181748 | BRACKET | | 1 | |
| 39 | 532407807 | BRACKET | | 1 | |
| 58 | 532407537 | AIR CONDUCTOR | | 1 | |
| 64 | 532408127 | PANEL | | 1 | |
| 69 | 532142432 | SCREW | | 1 | |
| 89 | 532197407 | CONSOLE | | 1 | |
| 141 | 873900600 | NUT | | 1 | |
| 145 | 532409167 | ROD | | 1 | |
| 154 | 532408122 | BRACKET | | 1 | |
| 155 | 532408123 | BRACKET | | 1 | |
| 162 | 532180382 | BRACKET | | 1 | |
| 163 | 532180383 | BRACKET | | 1 | |
| 164 | 532165605 | SUPPORT | | 1 | |
| 165 | 532181100 | COVER | | 1 | |
| 170 | 532199488 | COVER | | 1 | |
| 171 | 872140620 | BOLT | | 1 | |
| 172 | 819132016 | WASHER | | 1 | |
| 173 | 873510600 | NUT | | 1 | |
| 175 | 532188203 | DOOR TRAP | | 1 | |
| 179 | 532188202 | ROD PIVOT FBI | | 1 | |
| 184 | 532174662 | BRACKET | | 1 | |
| 185 | 532181101 | KNOB | | 1 | |
| 186 | 532160793 | LATCH | | 1 | |
| 187 | 532125004 | NUT | | 1 | |
| 188 | 819061216 | WASHER | | 1 | |
| 189 | 810071000 | WASHER | | 1 | |
| 190 | 871081010 | SCREW | | 1 | |
| 198 | 532168937 | WASHER | | 1 | |
| 205 | 817490608 | SCREW | | 1 | |
| 207 | 817670508 | SCREW | | 1 | |
| 208 | 817670608 | SCREW | | 1 | |
| 209 | 817000612 | SCREW | | 1 | |
| 213 | 532411077 | FENDER | | 1 | |
| 214 | 532411076 | FENDER | | 1 | |
| 216 | 817670412 | SCREW | | 1 | |
| 256 | 532181361 | COVER | | 1 | |
| 258 | 532411078 | LENS | | 1 | |
| 259 | 532411079 | LENS | | 1 | |
| 265 | 532185704 | SEALING | | 1 | |
| 266 | 532185703 | SEALING | | 1 | |
| 272 | 532411075 | AIR CONDUCTOR | | 1 | |
| 273 | 532411074 | AIR CONDUCTOR | | 1 | |
| 278 | 532416358 | SCREW | | 1 | |
| 295 | 532411116 | AIR CONDUCTOR | | 1 | |
| 296 | 532411119 | FRONT COVER | | 1 | |
| 297 | 532199145 | CLIP | | 1 | |
| 298 | 532110452 | NUT | | 1 | |
| 299 | 532405012 | LOGOTYPE | | 1 | |
| 305 | 532406665 | INSERT | | 1 | |
| 306 | 532416500 | INSERT | | 1 | |
| 307 | 532420919 | SHIELD | | 1 | |
| -- | 532411115 | PLUG | | 1 | |

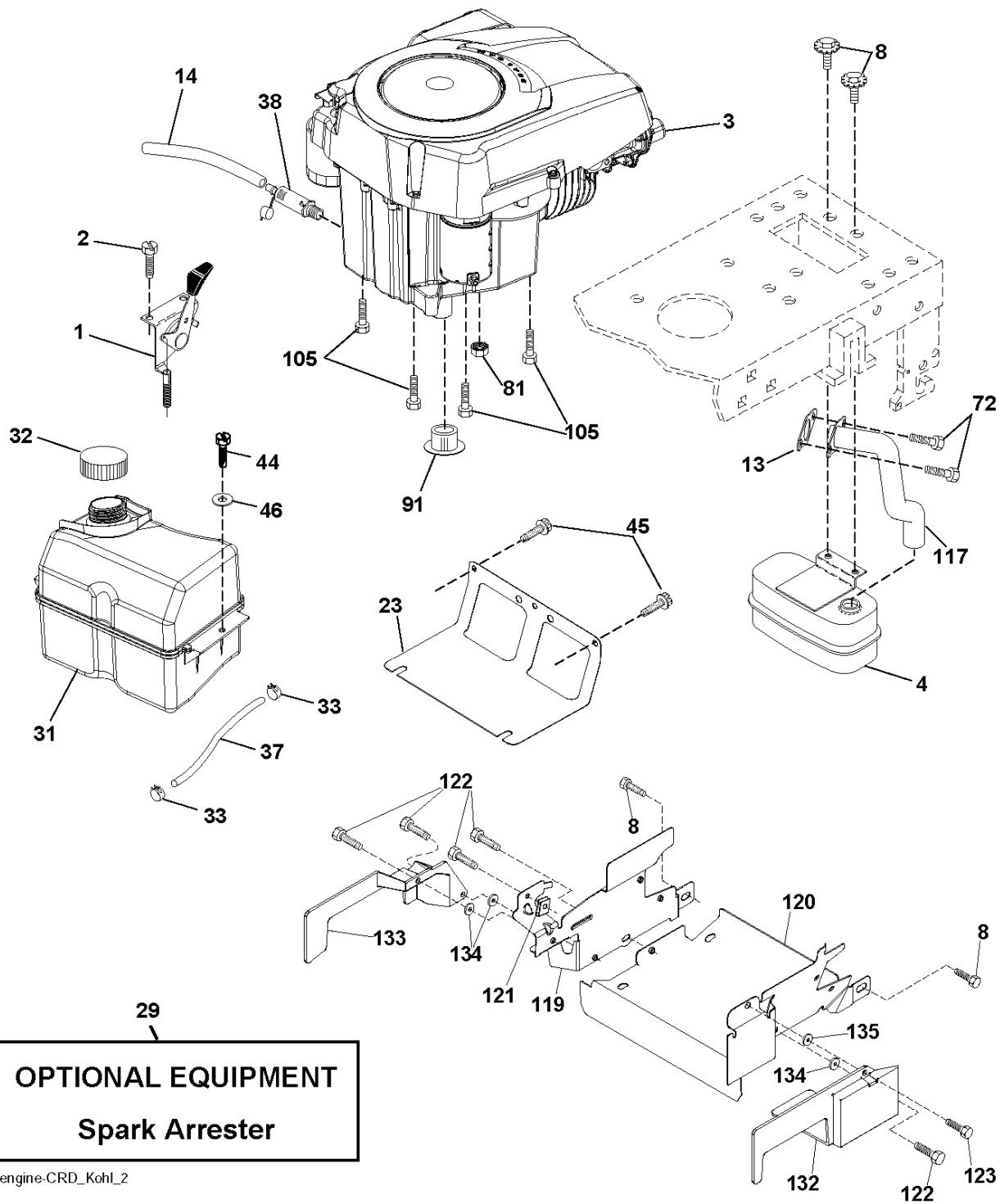


| REF. | PART NO. | DESCRIPTION | REMARK | QTY. | KIT |
|------|-----------|------------------------------|--------|------|-----|
| 1 | 532412241 | DECAL | | 1 | |
| 2 | 532400389 | LABEL | | 1 | |
| 3 | 532422012 | DECAL | | 1 | |
| 4 | 532413385 | DECAL | | 1 | |
| 5 | 532180435 | DECAL | | 1 | |
| 6 | 532196841 | DECAL | | 1 | |
| 8 | 532159737 | DECAL | | 1 | |
| 10 | 532145005 | DECAL | | 1 | |
| 11 | 532182166 | DECAL | | 1 | |
| 12 | 532180432 | DECAL | | 1 | |
| 14 | 532159736 | DECAL | | 1 | |
| 16 | 532401146 | DECAL | | 1 | |
| 17 | 532140837 | DECAL | | 1 | |
| 21 | 532166286 | DECAL | | 1 | |
| -- | 532138311 | DECAL | | 1 | |
| -- | 532181916 | PROTEGE*RPL.PAR 532179768418 | | 1 | |
| -- | 532181917 | PROTEGE*RPL.PAR 532179769418 | | 1 | |
| -- | 532411943 | OPERATOR'S MANUAL | | 1 | |

C03

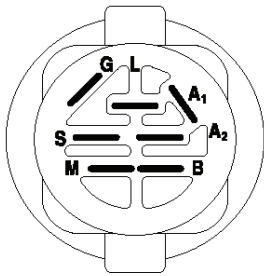
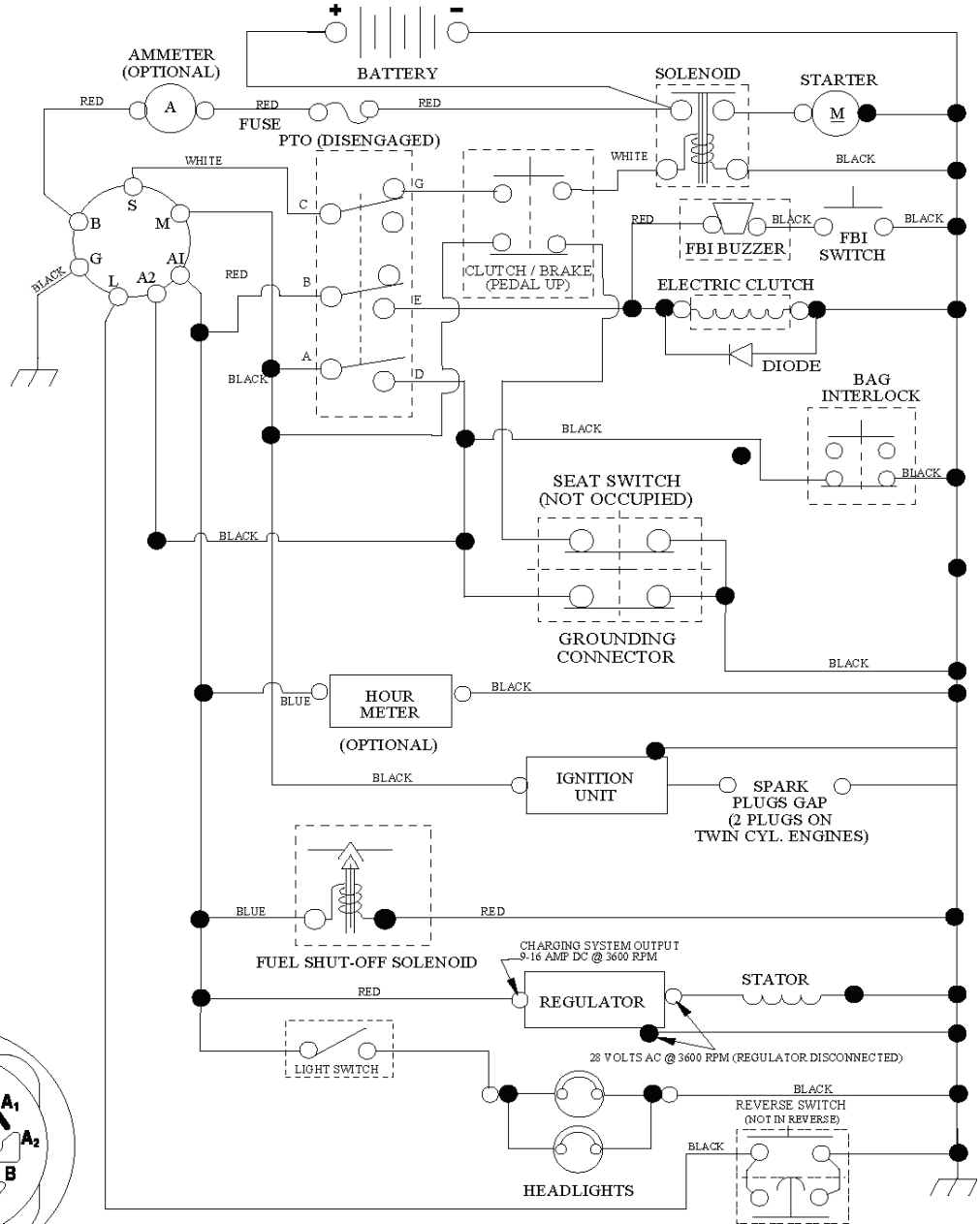


| REF. | PART NO. | DESCRIPTION | REMARK | QTY. | KIT |
|------|-----------|------------------------|--------|------|-----|
| 1 | 532163465 | BATTERY | | 1 | |
| 2 | 874760412 | BOLT | | 1 | |
| 16 | 532176138 | MICRO SWITCH | | 1 | |
| 21 | 532400252 | HARNESS | | 1 | |
| 22 | 532004152 | BULB | | 1 | |
| 24 | 532421299 | CABLE | | 1 | |
| 25 | 532165987 | CABLE | | 1 | |
| 26 | 532175158 | FUSE | | 1 | |
| 27 | 873510400 | NUT | | 1 | |
| 28 | 532127725 | CABLE | | 1 | |
| 29 | 532192749 | SWITCH.SEAT.DP W/RAMPS | | 1 | |
| 30 | 532193350 | IGNITION MODULE | | 1 | |
| 33 | 532411935 | KEY | | 1 | |
| 34 | 532110712 | SWITCH | | 1 | |
| 40 | 532197434 | CABLE ASSY | | 1 | |
| 41 | 871110408 | BOLT | | 1 | |
| 42 | 532131563 | COVER | | 1 | |
| 43 | 532192507 | SOLENOID | | 1 | |
| 48 | 532140844 | ADAPTER | | 1 | |
| 50 | 532174651 | SWITCH | | 1 | |
| 52 | 532141940 | WIRE | | 1 | |
| 58 | 532169419 | BUZZER | | 1 | |
| 59 | 532180379 | SWITCH FBI | | 1 | |
| 66 | 817490608 | SCREW | | 1 | |
| 79 | 532175242 | HOLDER | | 1 | |
| 81 | 532109748 | RELAY | | 1 | |
| 92 | 532196615 | CABLE ASSY | | 1 | |
| 93 | 532192540 | SCREW | | 1 | |
| 94 | 532191834 | MODULE.REVERSE.ROS | | 1 | |



engine-CRD_Kohl_2

| REF. | PART NO. | DESCRIPTION | REMARK | QTY. | KIT |
|------|-----------|--------------------|--------|------|-----|
| 1 | 532183897 | CONTROL | | 1 | |
| 2 | 532416358 | SCREW | | 1 | |
| 3 | | | | 1 | |
| 4 | 532188655 | MUFFLER | | 1 | |
| 8 | 532171877 | BOLT | | 1 | |
| 13 | 532185909 | GASKET | | 1 | |
| 14 | 532148456 | TUBE | | 1 | |
| 23 | 532169837 | HEAT SHIELD | | 1 | |
| 29 | 532137180 | SPARK ARRESTER KIT | | 1 | |
| 31 | 532407545 | FUEL TANK | | 1 | |
| 32 | 532197725 | PLUG | | 1 | |
| 33 | 532123487 | HOSE CLAMP | | 1 | |
| 37 | 532137040 | HOSE | | 1 | |
| 38 | 532181654 | PLUG | | 1 | |
| 44 | 817670412 | SCREW | | 1 | |
| 45 | 817000612 | SCREW | | 1 | |
| 46 | 819091416 | WASHER | | 1 | |
| 72 | 532192334 | SCREW | | 1 | |
| 81 | 873510400 | NUT | | 1 | |
| 91 | 532187495 | BUSHING | | 1 | |
| 105 | 817120616 | SCREW | | 1 | |
| 117 | 532188654 | TUBE EXHAUST | | 1 | |
| 119 | 532199768 | * LENKRAD | | 1 | |
| 120 | 532199767 | GUARD | | 1 | |
| 121 | 532196688 | NUT | | 1 | |
| 122 | 532137729 | SCREW | | 1 | |
| 123 | 817670508 | SCREW | | 1 | |
| 132 | 532420757 | SHIELD | | 1 | |
| 133 | 532420756 | SHIELD | | 1 | |
| 134 | 532423062 | NUT | | 1 | |
| 135 | 532423063 | WASHER | | 1 | |



IGNITION SWITCH

| POSITION | CIRCUIT | "MAKE" |
|--------------|---------|--------|
| OFF | M+G+A1 | |
| RUN/OVERRIDE | B+A1 | |
| RUN | B+A1 | L+A2 |
| START | B+S+A1 | |

WIRING INSULATED CLIPS
 NOTE: IF WIRING INSULATED CLIPS WERE REMOVED FOR SERVICING OF UNIT, THEY SHOULD BE RE-INSTALLED TO PROPERLY SECURE YOUR WIRING.

03048

| POSITION | CIRCUIT |
|----------|---------------------|
| OFF | C + G, B + H |
| ON | C + F, B + E, A + D |

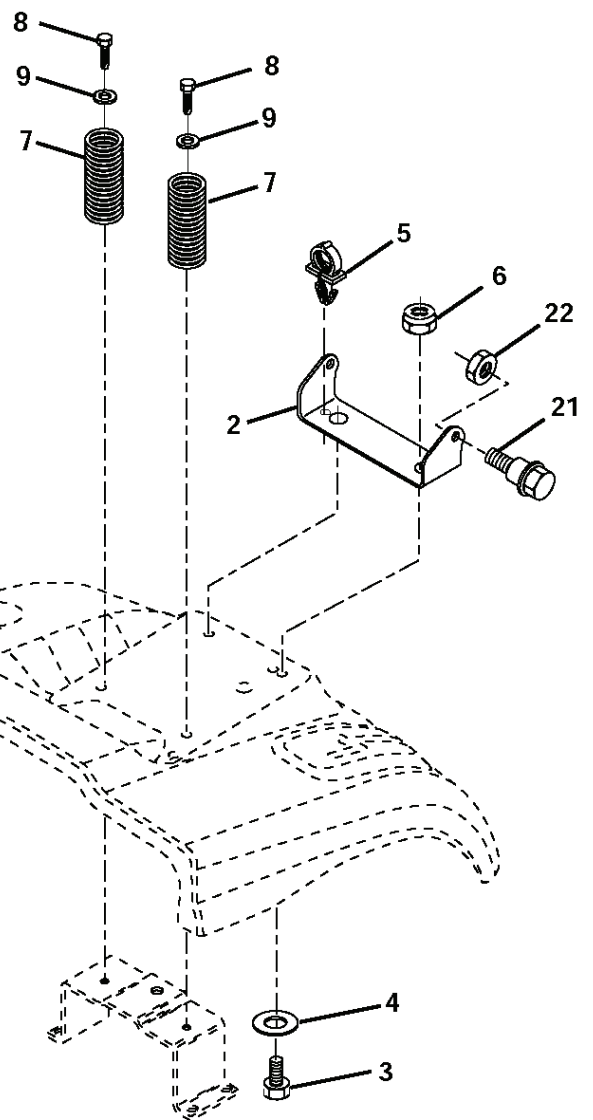
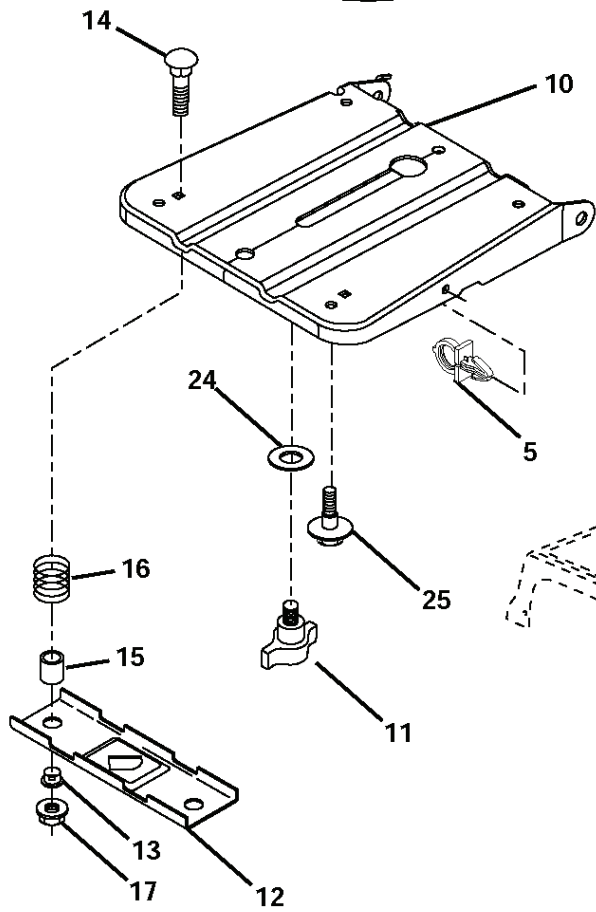
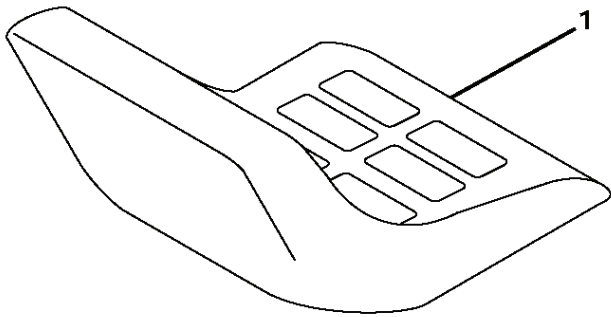


RELAY



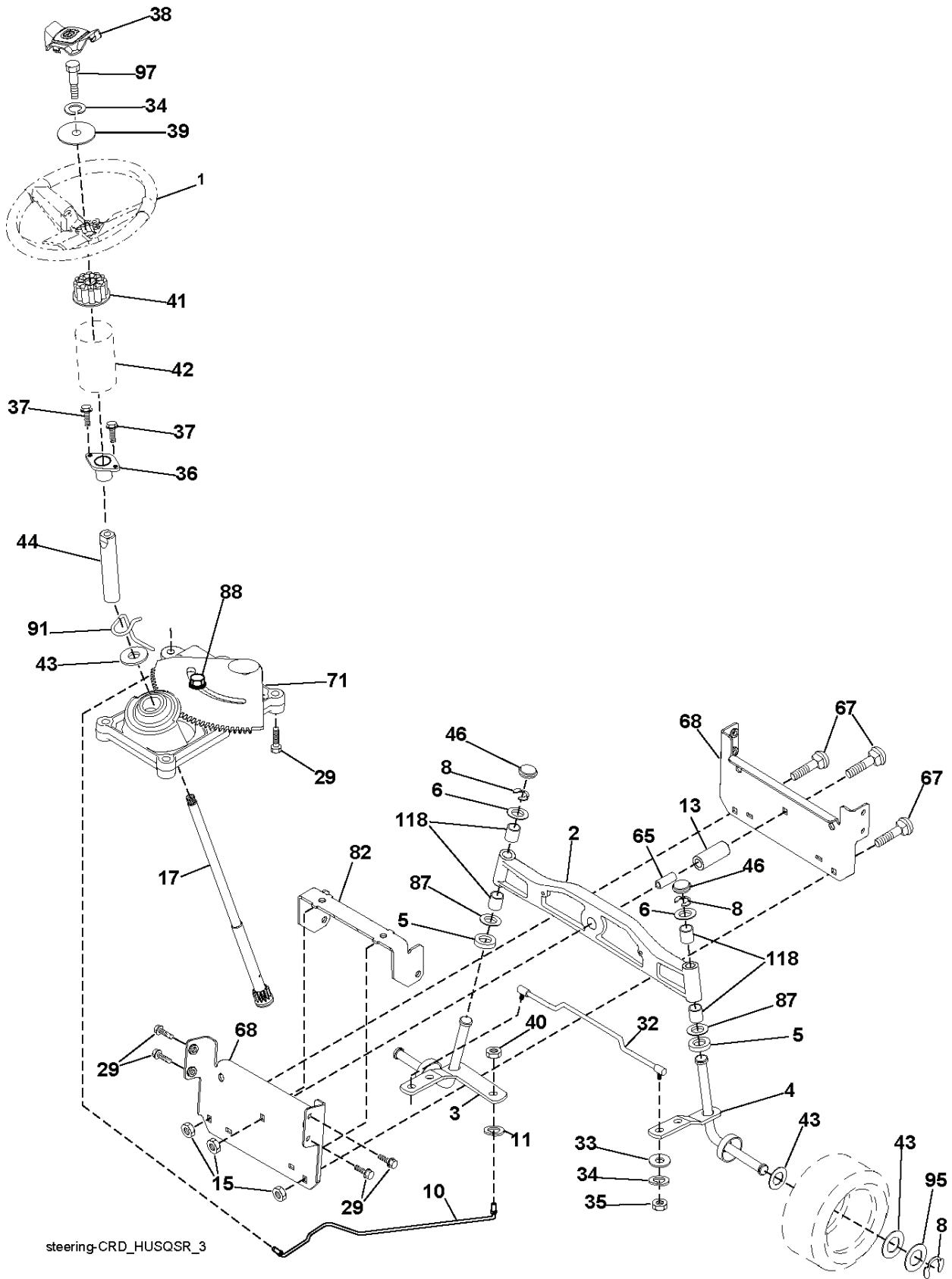
NON-REMOVABLE CONNECTIONS

REMOVABLE CONNECTIONS



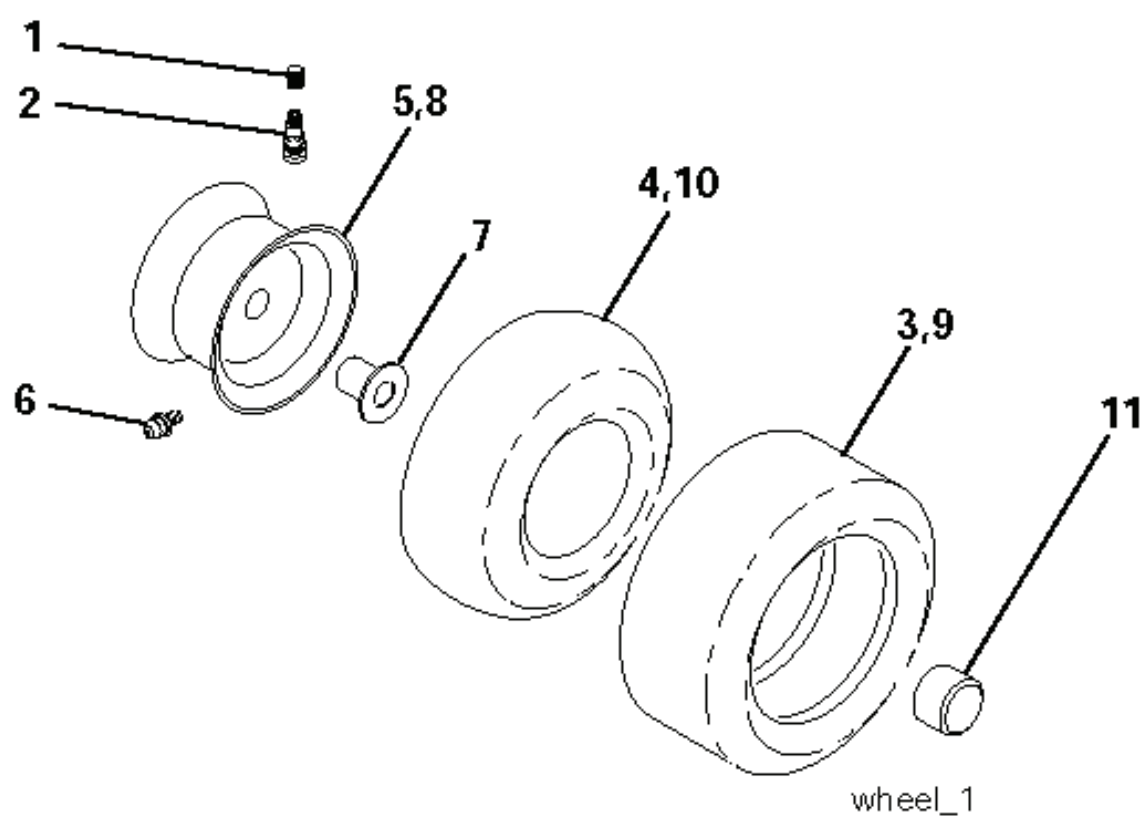
seat_lt.knob_7(CRD)

| REF. | PART NO. | DESCRIPTION | REMARK | QTY. | KIT |
|------|-----------|-----------------------------|--------|------|-----|
| 1 | 532190120 | SIEGE CONDUCTEUR | | 1 | |
| 2 | 532140551 | BRACKET | | 1 | |
| 3 | 871110616 | SCREW | | 1 | |
| 4 | 819131610 | WASHER | | 1 | |
| 5 | 532145006 | CLIP | | 1 | |
| 6 | 873800600 | NUT | | 1 | |
| 7 | 532124181 | SPRING | | 1 | |
| 8 | 817000616 | SCREW | | 1 | |
| 9 | 819131614 | WASHER | | 1 | |
| 10 | 532195530 | BERCEAU DE SIEGE CONDUCTEUR | | 1 | |
| 11 | 532166369 | WING NUT | | 1 | |
| 12 | 532174648 | BRACKET | | 1 | |
| 13 | 532121248 | BUSHING | | 1 | |
| 14 | 872050412 | BOLT | | 1 | |
| 15 | 532134300 | SPACER | | 1 | |
| 16 | 532121250 | SPRING | | 1 | |
| 17 | 532123976 | LOCKNUT | | 1 | |
| 21 | 532171852 | BOLT | | 1 | |
| 22 | 873800500 | LOCK NUT | | 1 | |
| 24 | 819171912 | WASHER | | 1 | |
| 25 | 532127018 | BOLT | | 1 | |

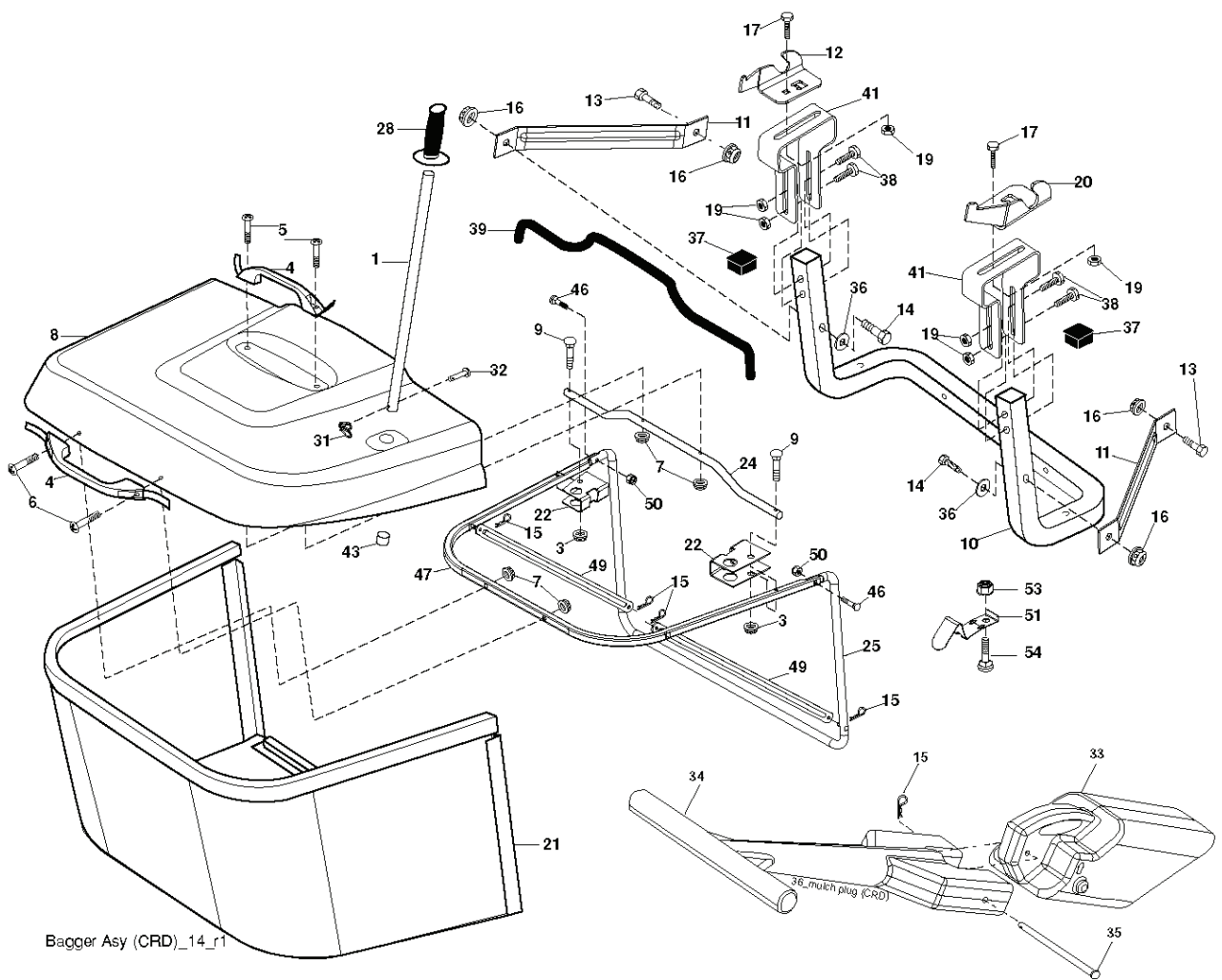


steering-CRD_HUSQSR_3

| REF. | PART NO. | DESCRIPTION | REMARK | QTY. | KIT |
|------|-----------|----------------------|--------|------|-----|
| 1 | 532416480 | STEERING WHEEL | | 1 | |
| 2 | 532193542 | AXLE | | 1 | |
| 3 | 532169840 | SPINDLE | | 1 | |
| 4 | 532169839 | SPINDLE | | 1 | |
| 5 | 532124931 | WASHER | | 1 | |
| 6 | 532121748 | WASHER | | 1 | |
| 8 | 812000029 | RETAINER RING | | 1 | |
| 10 | 532175121 | ROD | | 1 | |
| 11 | 810040600 | WASHER | | 1 | |
| 13 | 532136518 | PIPE | | 1 | |
| 15 | 532145212 | NUT | | 1 | |
| 17 | 532190753 | ROD | | 1 | |
| 29 | 817000612 | SCREW | | 1 | |
| 32 | 532171888 | ROD | | 1 | |
| 33 | 819111216 | WASHER | | 1 | |
| 34 | 810040500 | WASHER | | 1 | |
| 35 | 873540500 | NUT | | 1 | |
| 36 | 532155099 | BUSHING | | 1 | |
| 37 | 532152927 | SCREW | | 1 | |
| 38 | 532415987 | KNOB | | 1 | |
| 39 | 819113812 | WASHER | | 1 | |
| 40 | 873540600 | NUT | | 1 | |
| 41 | 532186737 | ADAPTER | | 1 | |
| 42 | 532411139 | STEERING COLUMN TUBE | | 1 | |
| 43 | 532121749 | WASHER | | 1 | |
| 44 | 532190752 | SHAFT | | 1 | |
| 46 | 532121232 | HUB CAP | | 1 | |
| 65 | 532414736 | SPACER | | 1 | |
| 67 | 872110618 | BOLT | | 1 | |
| 68 | 532169827 | SHAFT | | 1 | |
| 71 | 532175146 | STEERING GEAR | | 1 | |
| 82 | 532199978 | SUPPORT ESSIEU AVANT | | 1 | |
| 87 | 532173966 | WASHER | | 1 | |
| 88 | 532175118 | BOLT | | 1 | |
| 91 | 532175553 | SPRING | | 1 | |
| 95 | 532188967 | WASHER | | 1 | |
| 97 | 874780564 | BOLT | | 1 | |
| 118 | 532406013 | BEARING | | 1 | |

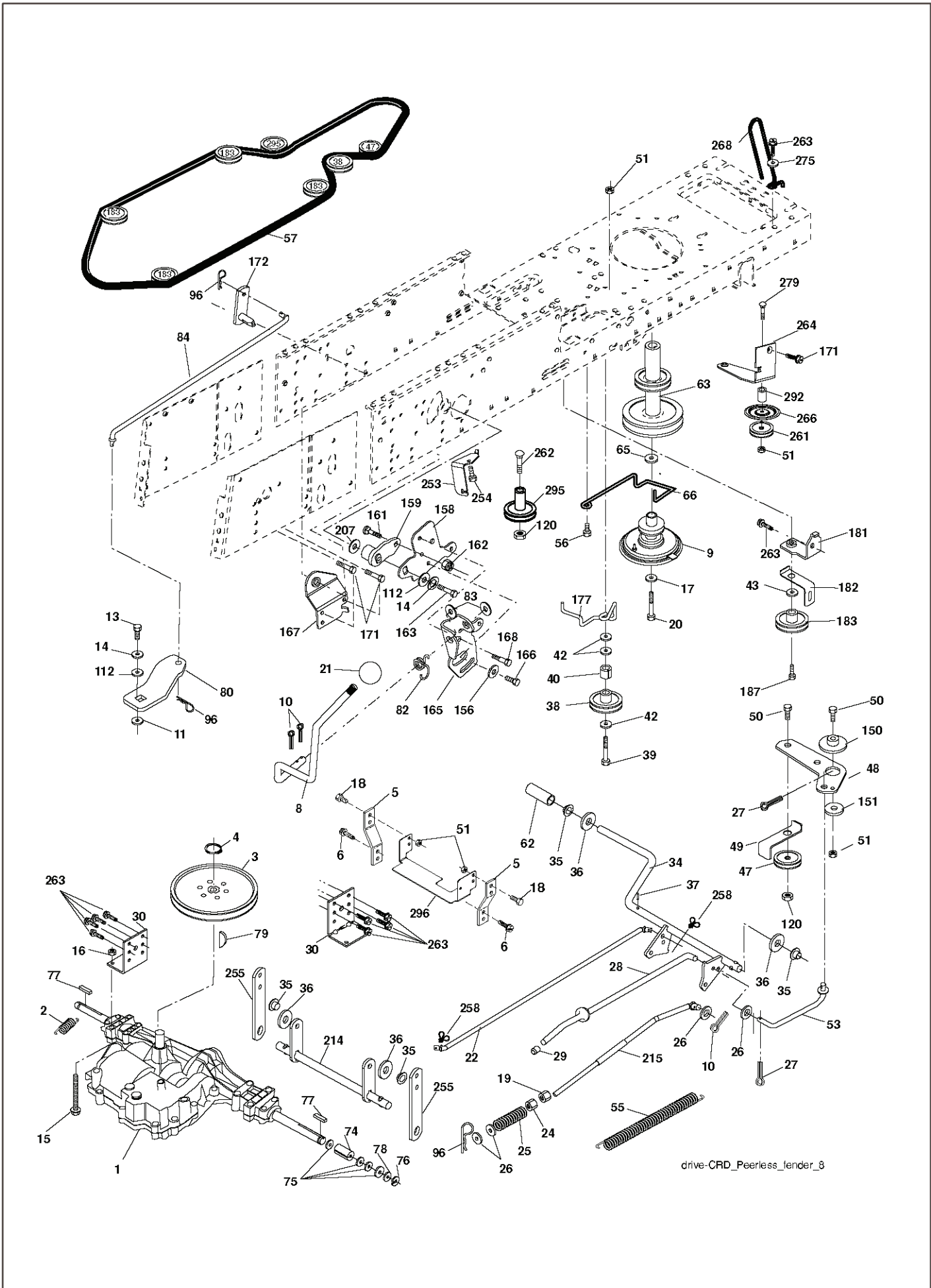


| REF. | PART NO. | DESCRIPTION | REMARK | QTY. | KIT |
|------|-----------|--------------|--------|------|-----|
| 1 | 532059192 | CAP VALVE | | 1 | |
| 2 | 532065139 | NIPPLE | | 1 | |
| 3 | 532106222 | TIRE | | 1 | |
| 4 | 532059904 | HOSE | | 1 | |
| 5 | 532138336 | RIM | | 1 | |
| 6 | 532124957 | FITTING | | 1 | |
| 7 | 532124959 | BEARING | | 1 | |
| 8 | 532138337 | RIM SPROCKET | | 1 | |
| 9 | 532420531 | TIRE | | 1 | |
| 10 | 532124926 | HOSE | | 1 | |
| 11 | 532175039 | HUB CAP | | 1 | |
| -- | 532144334 | SEALING FOAM | | 1 | |



Bagger Asy (CRD)_14_r1

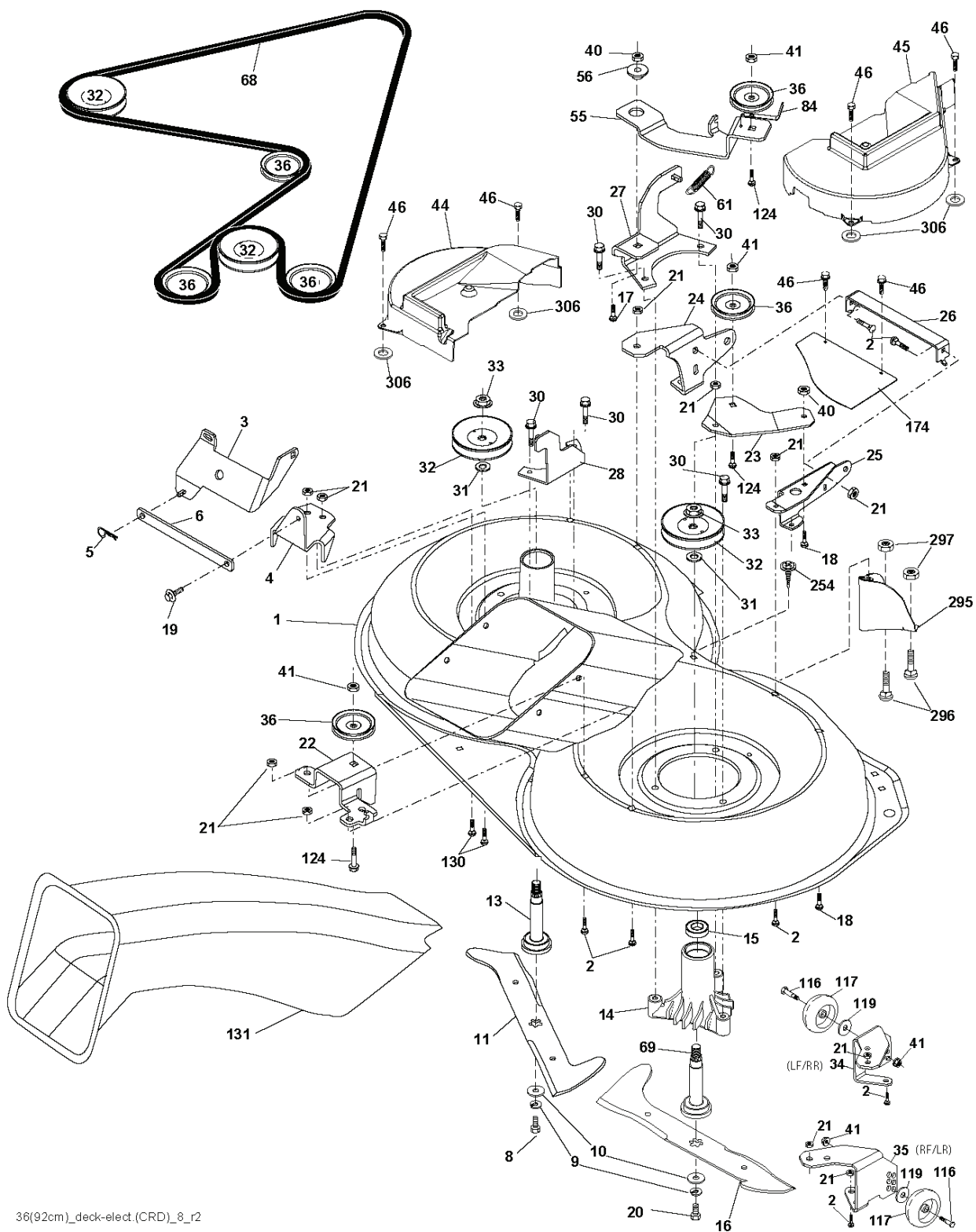
| REF. | PART NO. | DESCRIPTION | REMARK | QTY. | KIT |
|------|-----------|---------------------|--------|------|-----|
| 1 | 532165249 | ROD | | 1 | |
| 3 | 532123976 | LOCKNUT | | 1 | |
| 4 | 532169916 | HANDLE | | 1 | |
| 5 | 874981024 | SCREW | | 1 | |
| 6 | 874981032 | SCREW | | 1 | |
| 7 | 873401000 | NUT | | 1 | |
| 8 | 532181095 | COVER | | 1 | |
| 9 | 872140418 | BOLT | | 1 | |
| 10 | 532181282 | TUBE | | 1 | |
| 11 | 532165719 | ROD | | 1 | |
| 12 | 532188848 | BRACKET | | 1 | |
| 13 | 874760612 | BOLT | | 1 | |
| 14 | 874520636 | BOLT | | 1 | |
| 16 | 873900600 | NUT | | 1 | |
| 15 | 532124670 | RETAINER RING | | 1 | |
| 17 | 872140506 | BOLT | | 1 | |
| 19 | 873900500 | NUT | | 1 | |
| 20 | 532188847 | BRACKET | | 1 | |
| 21 | 532406180 | COLLECTION BAG | | 1 | |
| 22 | 532165781 | CLAMP | | 1 | |
| 24 | 532165783 | FRAME | | 1 | |
| 25 | 532193705 | PIPE | | 1 | |
| 28 | 532165787 | HANDLE | | 1 | |
| 31 | 532169484 | PIN | | 1 | |
| 32 | 532126875 | RIVET | | 1 | |
| 33 | 532165571 | PLUG | | 1 | |
| 34 | 532165570 | HANDLE | | 1 | |
| 35 | 532165572 | PIN RETAINING SCREW | | 1 | |
| 36 | 819132012 | WASHER | | 1 | |
| 37 | 532175401 | PLUG | | 1 | |
| 38 | 872010520 | BOLT | | 1 | |
| 39 | 532416257 | SEALING | | 1 | |
| 41 | 532169683 | BRACKET | | 1 | |
| 43 | 532174083 | PLUG | | 1 | |
| 46 | 872110510 | BOLT | | 1 | |
| 47 | 532193704 | PIPE | | 1 | |
| 49 | 532193305 | ROD | | 1 | |
| 50 | 873800500 | LOCK NUT | | 1 | |
| 51 | 532199903 | LATCH | | 1 | |
| 53 | 873510400 | NUT | | 1 | |
| 54 | 872140406 | BOLT | | 1 | |



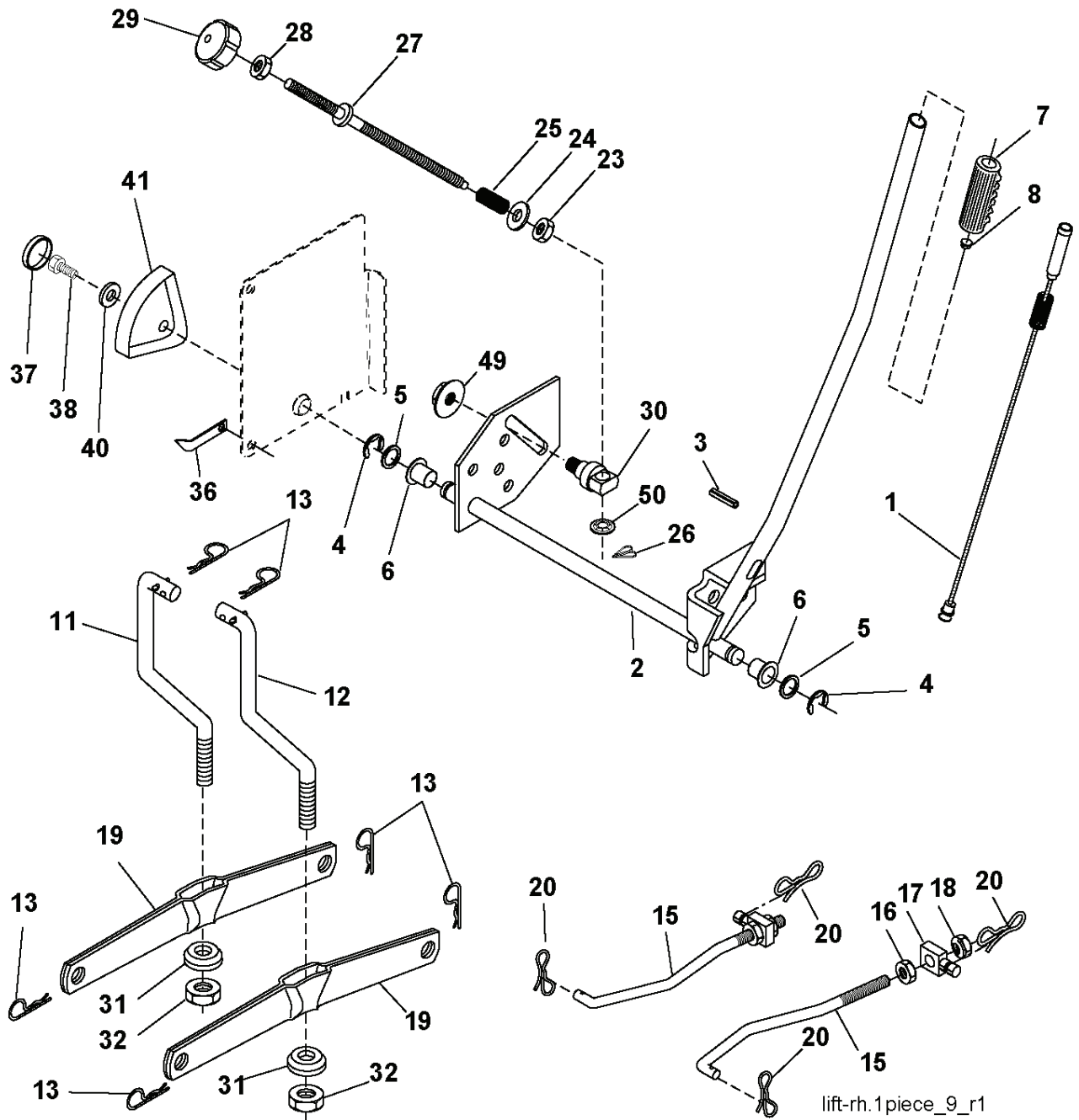
drive-CRD_Peerless_fender_8

| REF. | PART NO. | DESCRIPTION | REMARK | QTY. | KIT |
|------|-----------|------------------------|--------|------|-----|
| 1 | | | | 1 | |
| 2 | 532146682 | SPRING | | 1 | |
| 3 | 532165999 | PULLEY | | 1 | |
| 4 | 812000028 | CLIP | | 1 | |
| 5 | 532121520 | BRACKET | | 1 | |
| 6 | 817060512 | SCREW | | 1 | |
| 8 | 532192706 | LEVER | | 1 | |
| 9 | 532198143 | CLUTCH | | 1 | |
| 10 | 876020416 | SPLIT PIN | | 1 | |
| 11 | 532105701 | WASHER | | 1 | |
| 13 | 874550412 | BOLT | | 1 | |
| 14 | 810040400 | WASHER | | 1 | |
| 15 | 874490544 | SCREW | | 1 | |
| 16 | 873800500 | LOCK NUT | | 1 | |
| 17 | 532126197 | WASHER | | 1 | |
| 18 | 874780616 | BOLT | | 1 | |
| 19 | 873800600 | NUT | | 1 | |
| 20 | 532173937 | BOLT | | 1 | |
| 21 | 532121274 | KNOB | | 1 | |
| 22 | 532175607 | ROD | | 1 | |
| 24 | 873350600 | NUT | | 1 | |
| 25 | 532106888 | SPRING | | 1 | |
| 26 | 819131316 | WASHER | | 1 | |
| 27 | 876020412 | SPLIT PIN | | 1 | |
| 28 | 532175765 | SHAFT | | 1 | |
| 29 | 532124236 | PLUNGER | | 1 | |
| 30 | 532174973 | BRACKET | | 1 | |
| 34 | 532175578 | SHAFT | | 1 | |
| 35 | 532120183 | BEARING | | 1 | |
| 36 | 819211616 | WASHER | | 1 | |
| 37 | 532124963 | PIN RETAINING SCREW | | 1 | |
| 38 | 532165936 | PULLEY | | 1 | |
| 39 | 874760644 | BOLT | | 1 | |
| 40 | 532124965 | SPACER | | 1 | |
| 42 | 819131312 | WASHER | | 1 | |
| 43 | 819111012 | WASHER | | 1 | |
| 47 | 532127783 | PULLEY | | 1 | |
| 48 | 532154407 | GUIDE | | 1 | |
| 49 | 532123205 | BELT GUIDE | | 1 | |
| 50 | 872110612 | BOLT | | 1 | |
| 51 | 873680600 | NUT | | 1 | |
| 53 | 532199652 | TIGE DE TENSION POULIE | | 1 | |
| 55 | 532105709 | SPRING | | 1 | |
| 56 | 817060620 | SCREW | | 1 | |
| 57 | 532165631 | BELT | | 1 | |
| 62 | 532124872 | PEDAL RUBBER | | 1 | |
| 63 | 532180397 | PULLEY | | 1 | |
| 65 | 810040700 | WASHER | | 1 | |
| 66 | 532154778 | TENSIONER | | 1 | |
| 74 | 532137057 | SPACER | | 1 | |
| 75 | 532121749 | WASHER | | 1 | |
| 76 | 812000001 | RETAINER RING | | 1 | |
| 77 | 532123583 | KEY | | 1 | |
| 78 | 532121748 | WASHER | | 1 | |
| 79 | 532125096 | WOODRUFF KEY | | 1 | |
| 80 | 532145090 | LEVER | | 1 | |
| 82 | 532165711 | SPRING | | 1 | |
| 83 | 819171216 | WASHER | | 1 | |
| 84 | 532165621 | LINK | | 1 | |
| 96 | 532124788 | RETAINER RING | | 1 | |
| 112 | 819091210 | WASHER | | 1 | |
| 120 | 873900600 | NUT | | 1 | |
| 150 | 532165850 | BUSHING | | 1 | |
| 151 | 819133210 | WASHER | | 1 | |
| 156 | 532166002 | WASHER | | 1 | |
| 158 | 532165589 | BRACKET | | 1 | |
| 159 | 532183900 | LEVER | | 1 | |
| 161 | 872140406 | BOLT | | 1 | |
| 162 | 873680400 | NUT | | 1 | |
| 163 | 874780416 | BOLT | | 1 | |
| 165 | 532165623 | BRACKET | | 1 | |
| 166 | 817490510 | SCREW | | 1 | |
| 167 | 532165588 | BRACKET | | 1 | |
| 168 | 532165492 | BOLT | | 1 | |
| 171 | 817490608 | SCREW | | 1 | |
| 172 | 532165635 | SHAFT | | 1 | |
| 177 | 532165932 | HOLDER | | 1 | |
| 181 | 532180211 | BRACKET | | 1 | |

| REF. | PART NO. | DESCRIPTION | REMARK | QTY. | KIT |
|------|-----------|-------------|--------|------|-----|
| 182 | 532182682 | BELT GUIDE | | 1 | |
| 183 | 532199532 | PULLEY | | 1 | |
| 187 | 817580520 | BOLT | | 1 | |
| 207 | 532169845 | WASHER | | 1 | |
| 214 | 532175609 | LEVER | | 1 | |
| 215 | 532410142 | ROD | | 1 | |
| 253 | 532190736 | BRACKET | | 1 | |
| 254 | 817000616 | SCREW | | 1 | |
| 255 | 532175608 | SHAFT | | 1 | |
| 258 | 532178062 | CLIP | | 1 | |
| 261 | 532131494 | PULLEY | | 1 | |
| 262 | 872110622 | BOLT | | 1 | |
| 263 | 817000612 | SCREW | | 1 | |
| 264 | 532197607 | BRACKET | | 1 | |
| 266 | 532182061 | PROTECTOR | | 1 | |
| 268 | 532182402 | PROTECTOR | | 1 | |
| 275 | 819131614 | WASHER | | 1 | |
| 279 | 872110616 | BOLT | | 1 | |
| 292 | 532400271 | SPACER | | 1 | |
| 295 | 532179114 | PULLEY | | 1 | |
| 296 | 532420920 | SHIELD | | 1 | |



| REF. | PART NO. | DESCRIPTION | REMARK | QTY. | KIT |
|------|-----------|-----------------|---|------|-----|
| 1 | 532400108 | HOUSING | | 1 | |
| 2 | 872140506 | BOLT | | 1 | |
| 3 | 532165569 | BRACKET | | 1 | |
| 4 | 532165558 | BRACKET | | 1 | |
| 5 | 532124670 | RETAINER RING | | 1 | |
| 6 | 532165557 | ROD | | 1 | |
| 8 | 532181712 | BOLT | | 1 | |
| 9 | 810030600 | WASHER | | 1 | |
| 10 | 532140296 | WASHER | | 1 | |
| 11 | 532186385 | BLADE | | 1 | |
| 13 | 532137645 | SHAFT | | 1 | |
| 14 | 532128774 | BEARING HOUSING | | 1 | |
| 15 | 532110485 | BEARING | | 1 | |
| 16 | 532186386 | BLADE | | 1 | |
| 17 | 872140610 | BOLT | | 1 | |
| 18 | 872110606 | BOLT | | 1 | |
| 19 | 532132827 | SPEC. BOLT | | 1 | |
| 20 | 532181713 | BOLT | | 1 | |
| 21 | 873680500 | NUT | | 1 | |
| 22 | 532199590 | BRACKET | | 1 | |
| 23 | 532165446 | PLATE | | 1 | |
| 24 | 532165242 | BRACKET | | 1 | |
| 25 | 532165244 | BRACKET | | 1 | |
| 26 | 532400110 | SUPPORT | | 1 | |
| 27 | 532165568 | BRACKET | | 1 | |
| 28 | 532165567 | BRACKET | | 1 | |
| 30 | 532173984 | SCREW | | 1 | |
| 31 | 532187690 | WASHER | | 1 | |
| 32 | 532153532 | PULLEY | | 1 | |
| 33 | 532400234 | NUT | | 1 | |
| 34 | 532400107 | BRACKET | | 1 | |
| 35 | 532400106 | BRACKET | | 1 | |
| 36 | 532146763 | PULLEY | | 1 | |
| 40 | 873680600 | NUT | | 1 | |
| 41 | 873900600 | NUT | | 1 | |
| 44 | 532420752 | COVER | | 1 | |
| 45 | 532420753 | COVER | | 1 | |
| 46 | 532137729 | SCREW | | 1 | |
| 55 | 532199498 | ARM | | 1 | |
| 56 | 532165723 | SPACER | | 1 | |
| 61 | 532199486 | SPRING | | 1 | |
| 68 | 532402008 | BELT | | 1 | |
| 69 | 532165482 | SHAFT | | 1 | |
| 84 | 532156085 | BELT GUIDE | | 1 | |
| 116 | 532193406 | BOLT | | 1 | |
| 117 | 532174873 | WHEEL | | 1 | |
| 119 | 819132012 | WASHER | | 1 | |
| 124 | 872110612 | BOLT | | 1 | |
| 130 | 872110506 | BOLT | | 1 | |
| 131 | 532165661 | PIPE | | 1 | |
| 174 | 532400241 | PROTECTOR | | 1 | |
| 254 | 817000616 | SCREW | | 1 | |
| 295 | 532412171 | PLATE | | 1 | |
| 296 | 872140406 | BOLT | | 1 | |
| 297 | 873930400 | NUT | | 1 | |
| 306 | 532423062 | NUT | | 1 | |
| --- | 532181857 | BEARING HOUSING | Mandrel Assembly (Includes housing, shaft assembly, and bearing only - pulley/nut/washer and blade bolt/washers not included) | 1 | |
| --- | 532181858 | BEARING HOUSING | | 1 | |
| --- | 532422785 | CUTTING DECK | | 1 | |



| REF. | PART NO. | DESCRIPTION | REMARK | QTY. | KIT |
|------|-----------|---------------------|--------|------|-----|
| 1 | 532404981 | PLUNGE | | 1 | |
| 2 | 532159471 | LEVER | | 1 | |
| 3 | 532105767 | PIN RETAINING SCREW | | 1 | |
| 4 | 812000002 | RETAINER RING | | 1 | |
| 5 | 819211621 | WASHER | | 1 | |
| 6 | 532120183 | BEARING | | 1 | |
| 7 | 532125631 | HANDLE | | 1 | |
| 8 | 532122365 | PLUG | | 1 | |
| 11 | 532165829 | ROD | | 1 | |
| 12 | 532165831 | ROD | | 1 | |
| 13 | 532124670 | RETAINER RING | | 1 | |
| 15 | 532173288 | LINK | | 1 | |
| 16 | 873350800 | NUT | | 1 | |
| 17 | 532175689 | BRACKET | | 1 | |
| 18 | 873800800 | NUT | | 1 | |
| 19 | 532139868 | LEVER | | 1 | |
| 20 | 532194209 | SPRING | | 1 | |
| 23 | 532110807 | NUT | | 1 | |
| 24 | 819131016 | WASHER | | 1 | |
| 25 | 532164024 | SPRING | | 1 | |
| 26 | 532169484 | PIN | | 1 | |
| 27 | 532164543 | ROD | | 1 | |
| 28 | 873350600 | NUT | | 1 | |
| 29 | 532138057 | KNOB | | 1 | |
| 30 | 532150233 | TRUNNION | | 1 | |
| 31 | 532169865 | BEARING | | 1 | |
| 32 | 873540600 | NUT | | 1 | |
| 36 | 532155097 | INDICATOR | | 1 | |
| 37 | 532123935 | PLUG | | 1 | |
| 38 | 817060516 | SCREW | | 1 | |
| 40 | 819112410 | WASHER | | 1 | |
| 41 | 532123934 | INDICATOR | | 1 | |
| 49 | 532145212 | NUT | | 1 | |
| 50 | 532110452 | NUT | | 1 | |
| | PART NO. | | REMARK | | KIT |