

PR17, 965192201, 2010-07

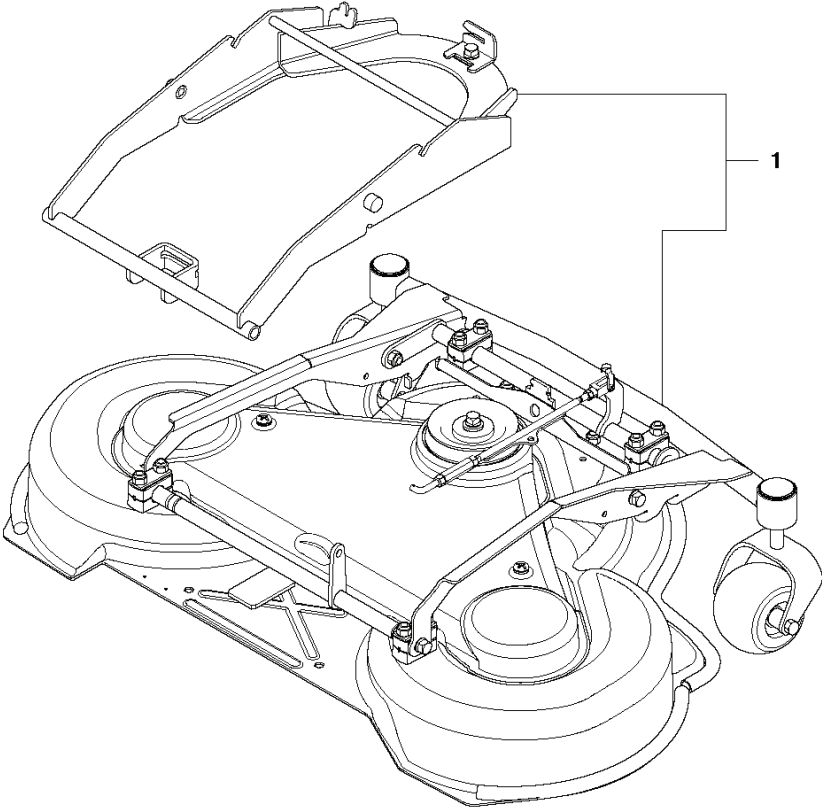
---

# **SPARE PARTS LIST**



REF.	PART NO.	DESCRIPTION	REMARK	QTY.	KIT
1	504569801	DECK SHELL ASSY		1	
2	506916201	NUT		3	
3	544449201	PLUG		1	
4	506570104	SCREW EHHFM		3	
5	535503501	MANDREL		1	
6	544067801	BEARING HOUSING		1	5
7	535428701	SHAFT		1	5
8	535428801	SPACER		1	5
9	738220519	BALL BEARING		2	5
10	535503502	MANDREL		2	
11	544067801	BEARING HOUSING		1	10
12	535428702	SHAFT		1	10
13	535428801	SPACER		1	10
14	738220519	BALL BEARING		2	10
15	535423801	SCREW RSQM		12	
16	734116401	WASHER		12	
17	732211801	LOCK NUT		12	
18	535429001	PULLEY		4	
19	506533501	PARALLEL KEY		7	
20	535428801	SPACER		1	
21	535429201	WASHER		3	
22	725254251	SCREW EHHM		3	
23	535504201	ADAPTER		3	
24	504190410	BLADE		3	
25	506792302	KNIFE PLATE		3	
26	725254251	SCREW EHHM		3	
27	506540701	BELT TENSIONER ASSY		1	
28	506519501	SPÄNNARM KPL.		1	27
29	506532701	PULLEY		1	27
30	734116441	WASHER		1	27
31	506558302	SCREW EHHFT		1	27
32	506918702	WASHER		1	
33	725245171	SCREW EHHM		1	
34	732211801	LOCK NUT		1	
35	506533101	SPRING		1	
36	589534401	BELT		1	
37	544096101	BELT COVER		1	
38	506982601	SCREW		2	
39	506559701	WASHER		2	
40	502642102	BRACKET		1	
41	725245171	SCREW EHHM		4	
42	732211801	LOCK NUT		4	
43	502641802	CROSS BAR		1	
44	502641902	CROSS BAR		1	
45	506869601	BEARING		8	
46	506813801	REINFORCING PLATE		4	
47	725246151	SCREW EHHM		8	
48	732211801	LOCK NUT		8	
49	504812701	PARALLEL ROD ASSY		1	
50	502642301	PARALLEL ROD		1	
51	506839803	BOLT		1	
52	721618301	SPLIT PIN		1	
53	502642002	DECK FRAME		1	
54	738210404	BALL BEARING		4	
55	535505901	PIVOTHJUL		2	
56	535504601	FORK		1	55
57	506963001	WHEEL ASSY		1	55
58	506810802	TUBE		1	55
59	506874102	SPACER		2	55
60	725251951	SCREW EHHM		1	55
61	732212051	NUT		1	55
62	506504805	WASHER		2	
63	506570104	SCREW EHHFM		2	
64	734116441	WASHER		2	
65	544017001	HUB CAP		2	
66	506597401	SCREW EHHFM		4	
67	732211801	LOCK NUT		2	
68	502639501	DECK ATTACHMENT		1	
69	502642401	LOCK		1	
70	725245171	SCREW EHHM		1	
71	732211801	LOCK NUT		1	
72	506789701	LABEL		1	
73	544238111	LABEL		1	
74	506929001	LABEL		1	

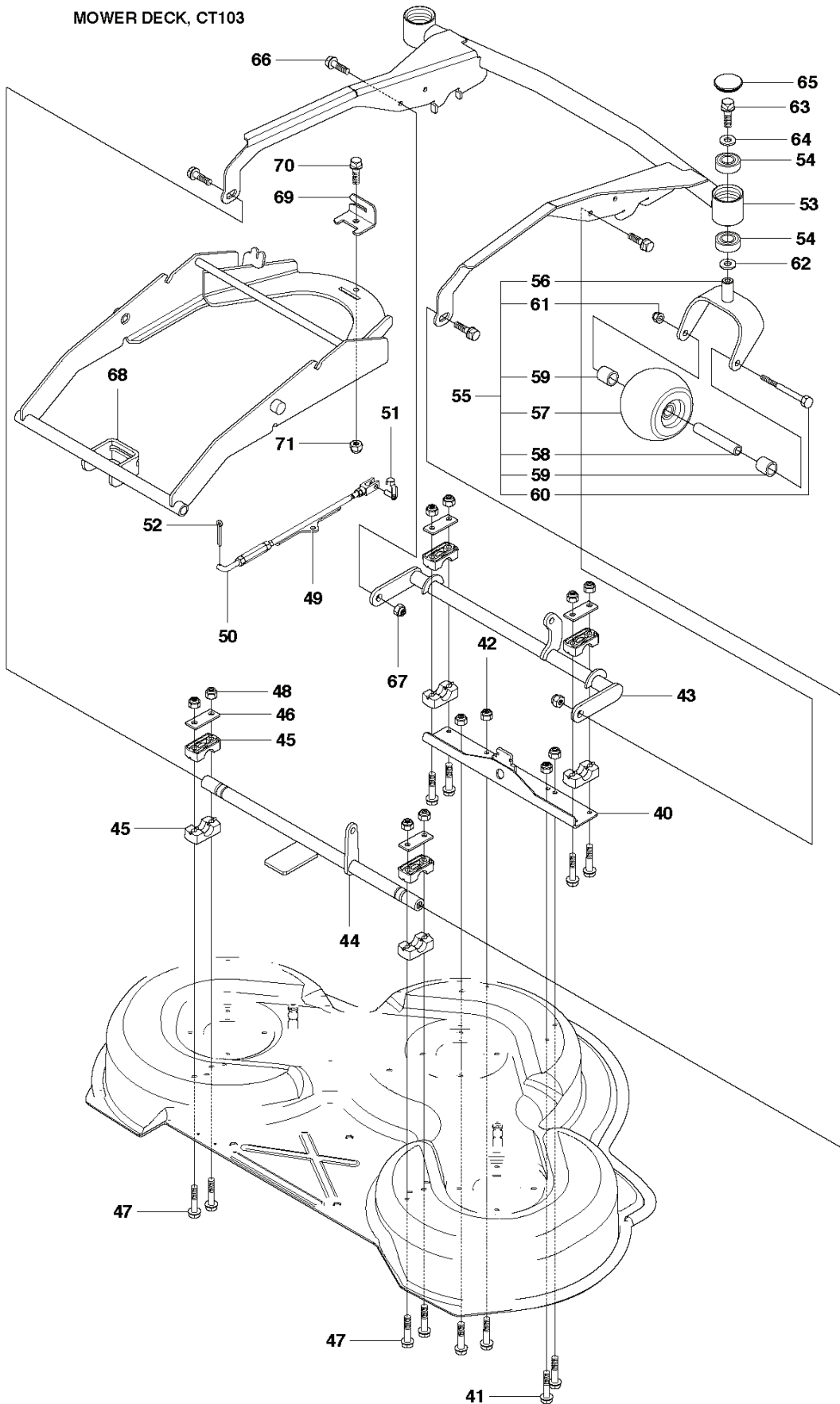
MOWER DECK, CT103



---

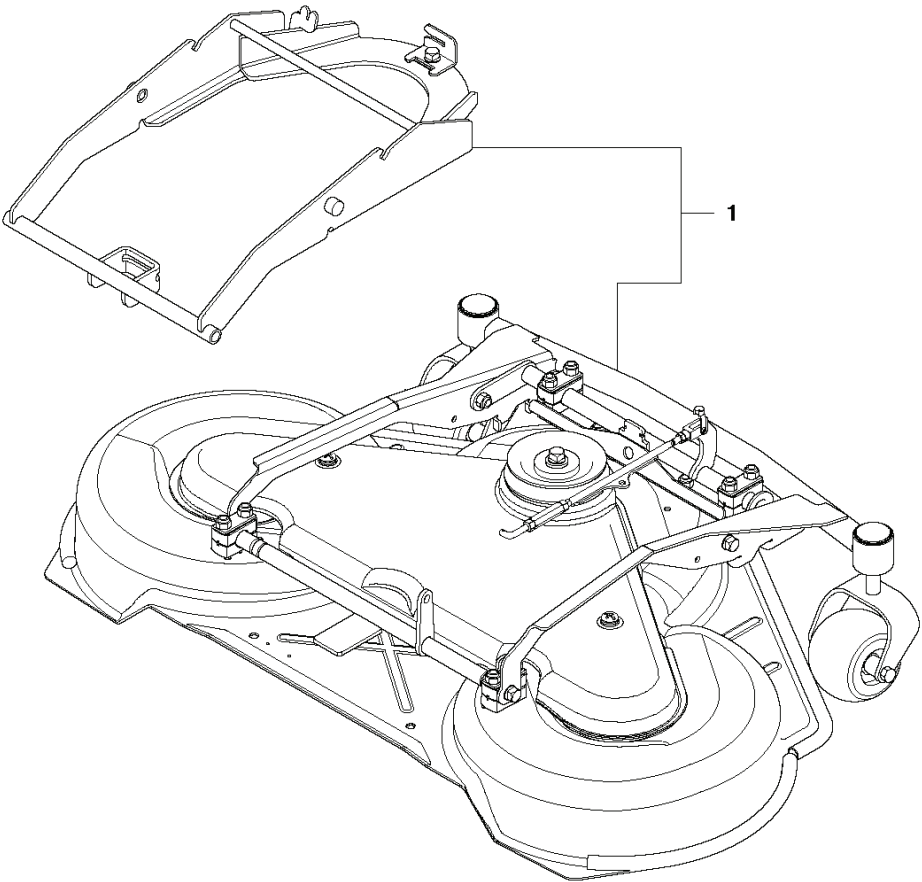
REF.	PART NO.	DESCRIPTION	REMARK	QTY.	KIT
1	965197201	CUTTING DECK		1	

MOWER DECK, CT103



REF.	PART NO.	DESCRIPTION	REMARK	QTY.	KIT
40	502642102	BRACKET		1	
41	725245171	SCREW EHHM		4	
42	732211801	LOCK NUT		4	
43	502641802	CROSS BAR		1	
44	502641902	CROSS BAR		1	
45	506869601	BEARING		8	
46	506813801	REINFORCING PLATE		4	
47	725246151	SCREW EHHM		8	
48	732211801	LOCK NUT		8	
49	504812701	PARALLEL ROD ASSY		1	
50	502642301	PARALLEL ROD		1	
51	506839803	BOLT		1	
52	721618301	SPLIT PIN		1	
53	502642002	DECK FRAME		1	
54	738210404	BALL BEARING		4	
55	535505901	PIVOTHJUL		2	
56	535504601	FORK		1	55
57	506963001	WHEEL ASSY		1	55
58	506810802	TUBE		1	55
59	506874102	SPACER		2	55
60	725251951	SCREW EHHM		1	55
61	732212051	NUT		1	55
62	506504805	WASHER		2	
63	506570104	SCREW EHHFM		2	
64	734116441	WASHER		2	
65	544017001	HUB CAP		2	
66	506597401	SCREW EHHFM		4	
67	732211801	LOCK NUT		2	
68	502639501	DECK ATTACHMENT		1	
69	502642401	LOCK		1	
70	725245171	SCREW EHHM		1	
71	732211801	LOCK NUT		1	

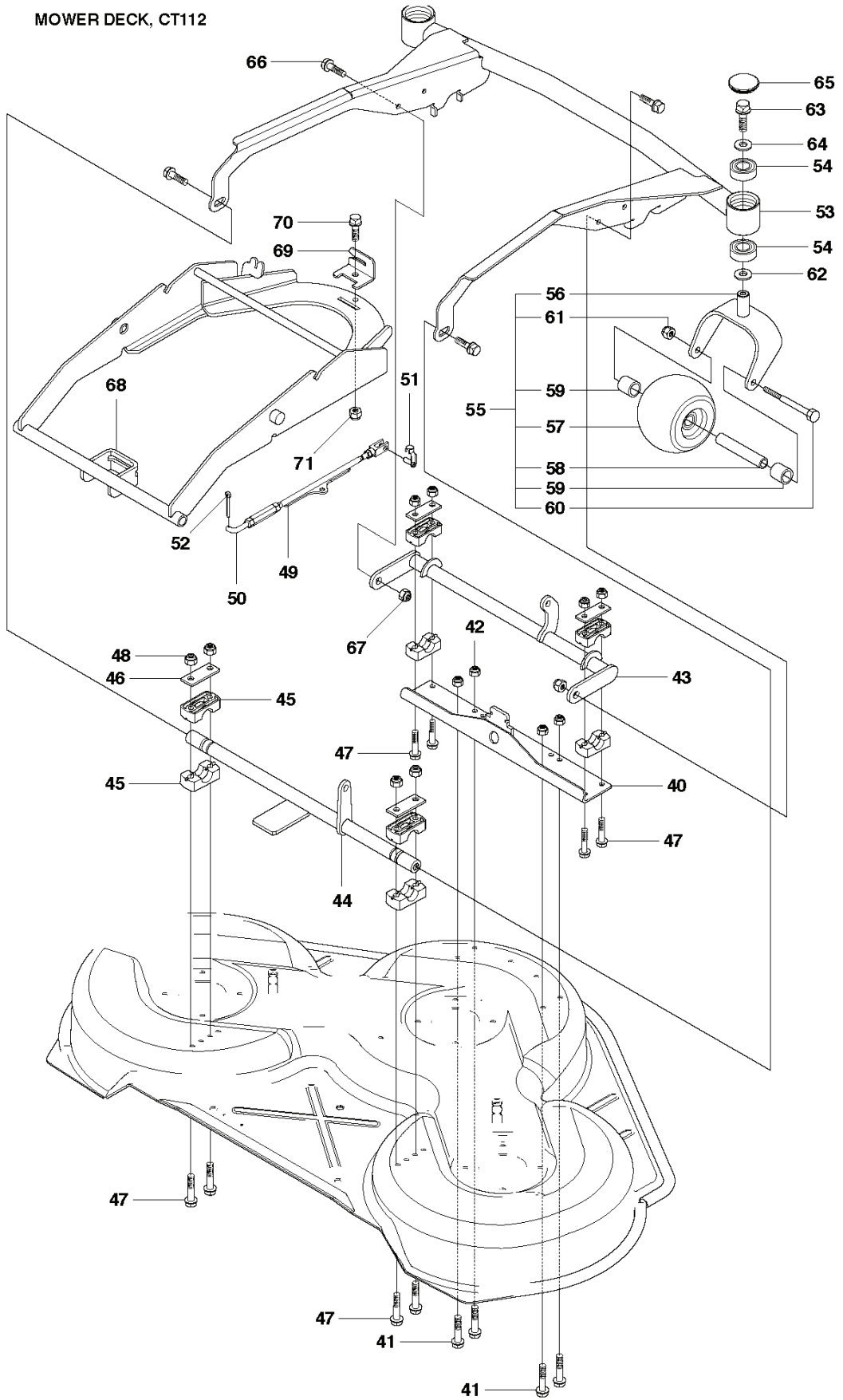
MOWER DECK, CT112



---

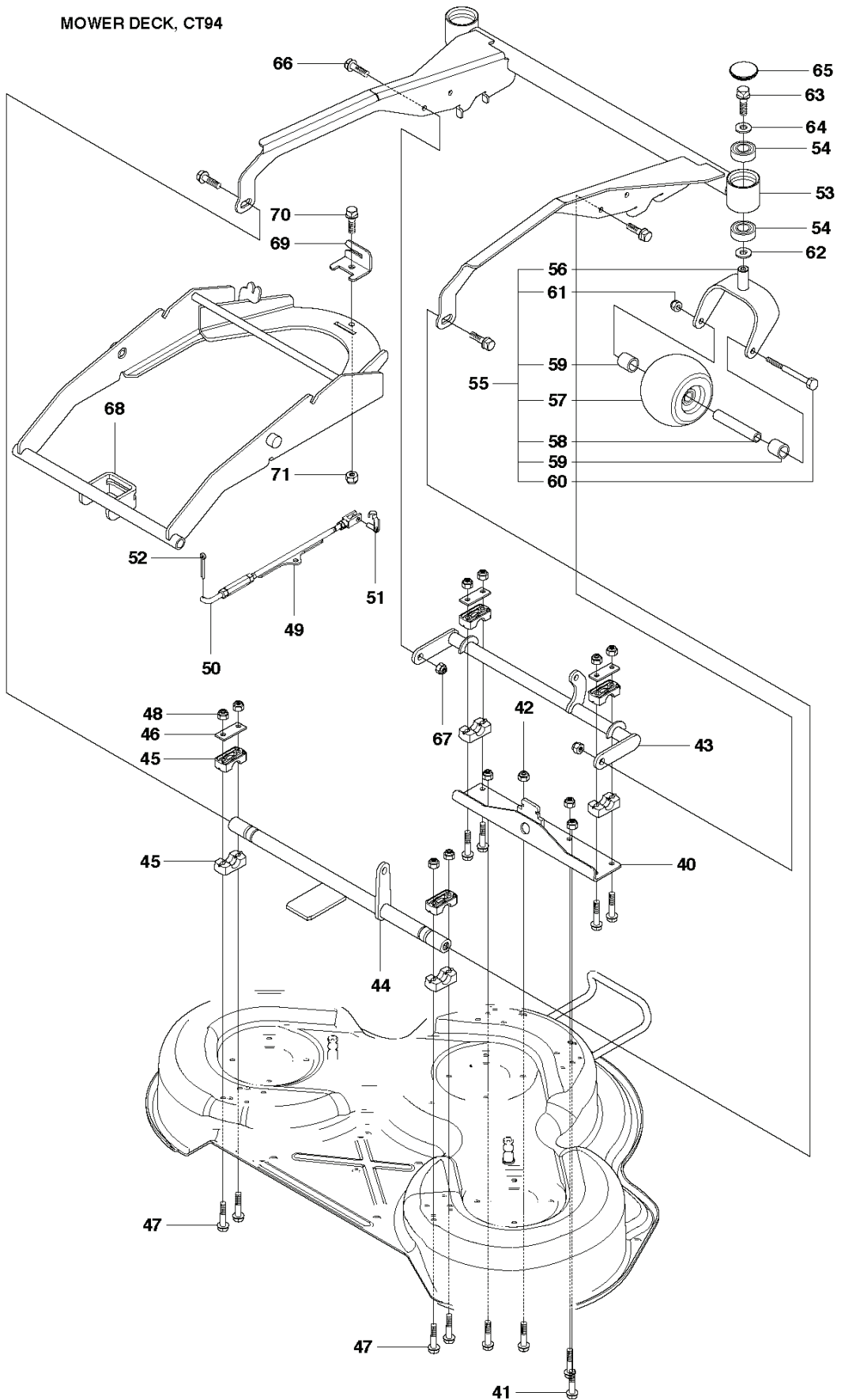
REF.	PART NO.	DESCRIPTION	REMARK	QTY.	KIT
1	965197301	CUTTING DECK		1	

MOWER DECK, CT112



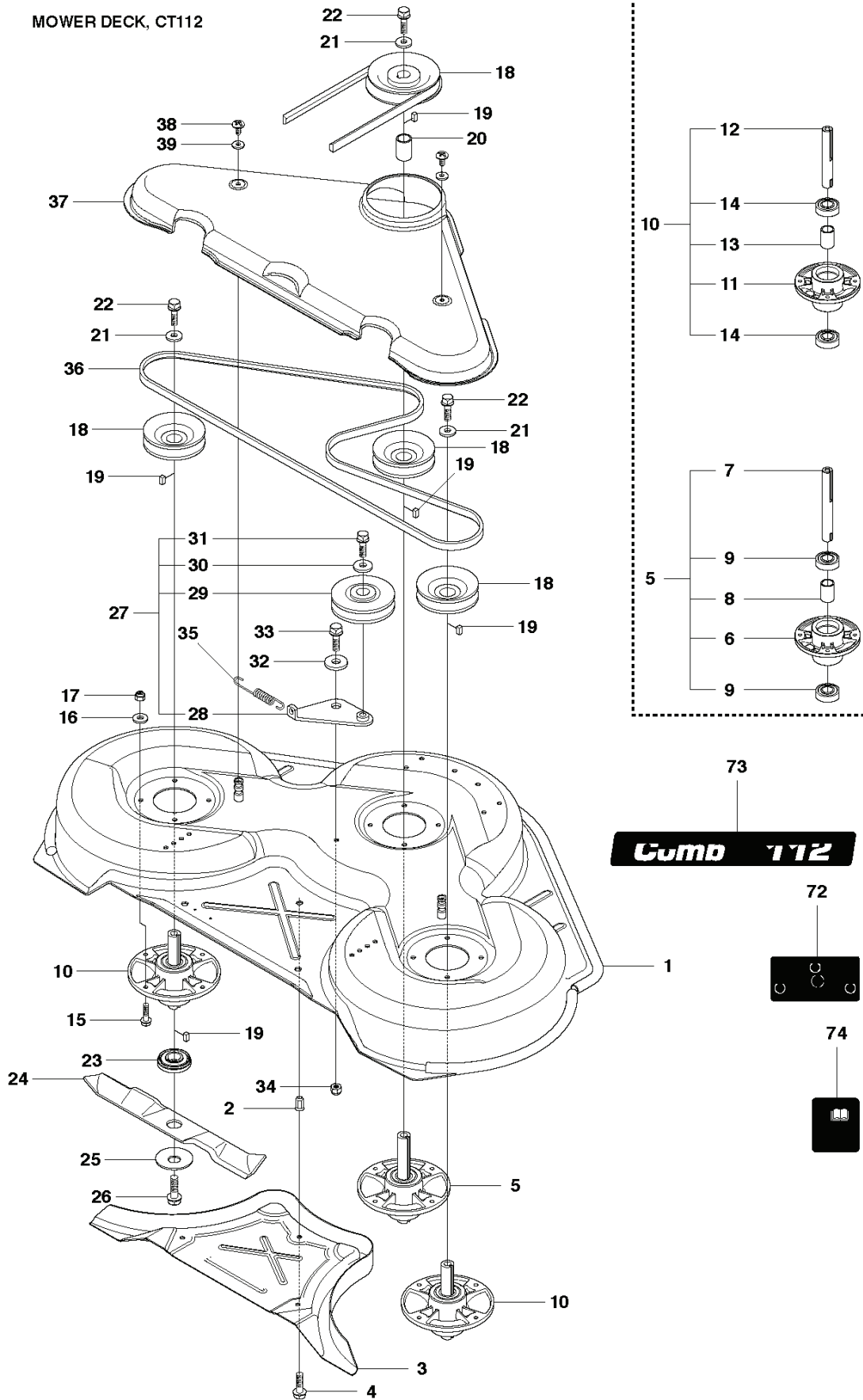
REF.	PART NO.	DESCRIPTION	REMARK	QTY.	KIT
40	502642102	BRACKET		1	
41	725245171	SCREW EHHM		4	
42	732211801	LOCK NUT		4	
43	502641802	CROSS BAR		1	
44	502641902	CROSS BAR		1	
45	506869601	BEARING		8	
46	506813801	REINFORCING PLATE		4	
47	725246151	SCREW EHHM		8	
48	732211801	LOCK NUT		8	
49	504812701	PARALLEL ROD ASSY		1	
50	502642301	PARALLEL ROD		1	
51	506839803	BOLT		1	
52	721618301	SPLIT PIN		1	
53	502642002	DECK FRAME		1	
54	738210404	BALL BEARING		4	
55	535505901	PIVOTHJUL		2	
56	535504601	FORK		1	55
57	506963001	WHEEL ASSY		1	55
58	506810802	TUBE		1	55
59	506874102	SPACER		2	55
60	725251951	SCREW EHHM		1	55
61	732212051	NUT		1	55
62	506504805	WASHER		2	
63	506570104	SCREW EHHFM		2	
64	734116441	WASHER		2	
65	544017001	HUB CAP		2	
66	506597401	SCREW EHHFM		4	
67	732211801	LOCK NUT		2	
68	502639501	DECK ATTACHMENT		1	
69	502642401	LOCK		1	
70	725245171	SCREW EHHM		1	
71	732211801	LOCK NUT		1	

MOWER DECK, CT94



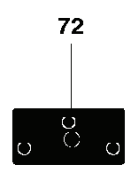
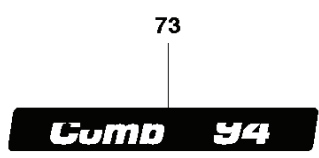
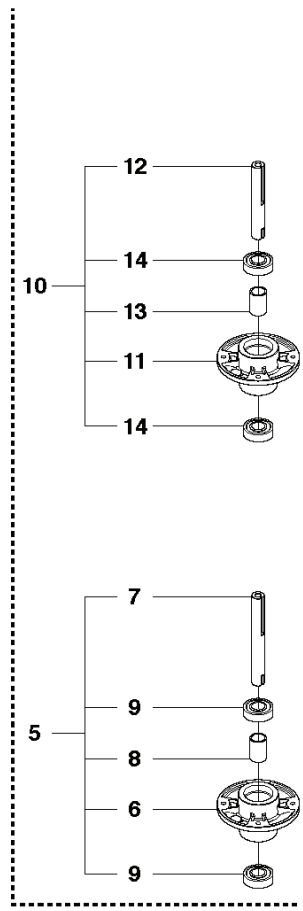
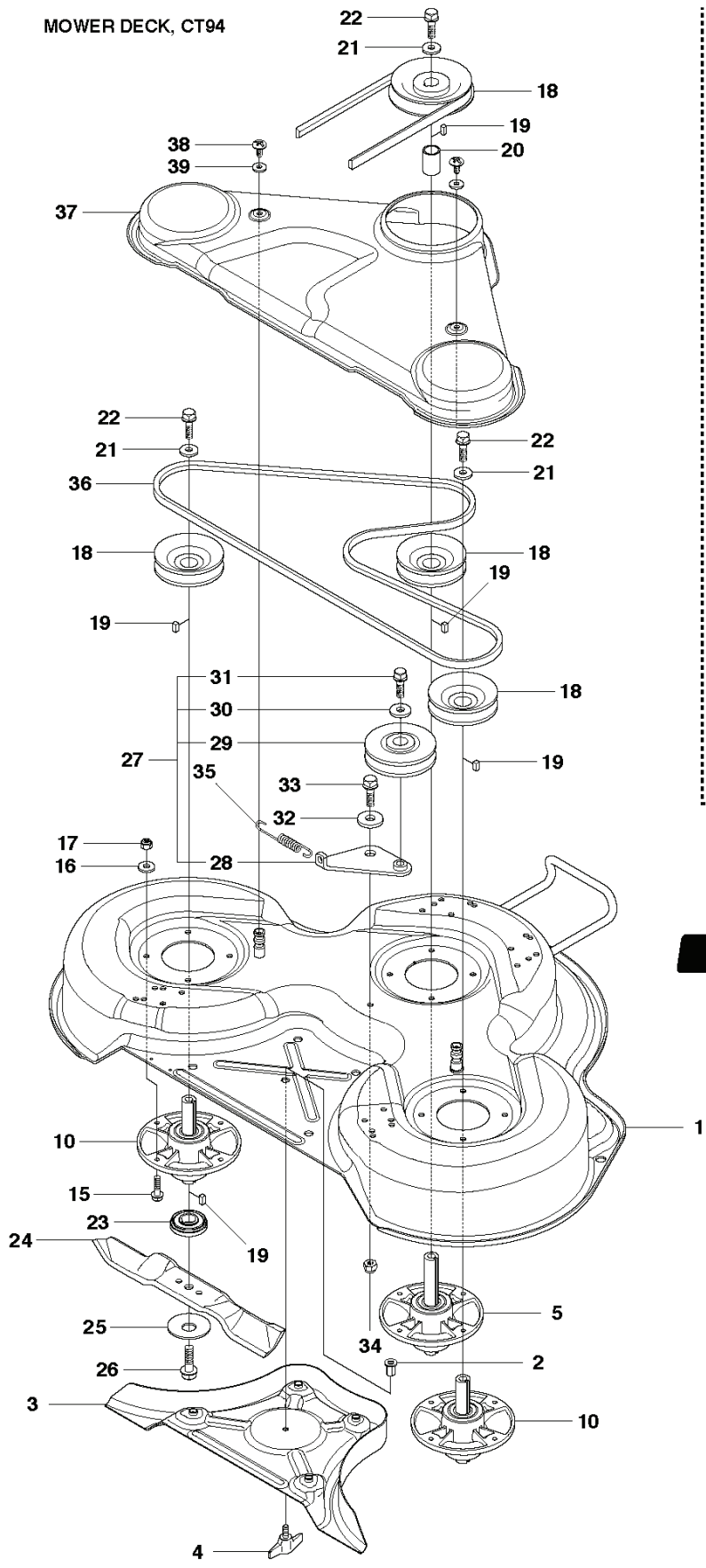
REF.	PART NO.	DESCRIPTION	REMARK	QTY.	KIT
40	502642101	BRACKET		1	
41	725245171	SCREW EHHM		4	
42	732211801	LOCK NUT		4	
43	502641801	CROSS BAR		1	
44	502641901	CROSS BAR		1	
45	506869601	BEARING		8	
46	506813801	REINFORCING PLATE		4	
47	725246151	SCREW EHHM		8	
48	732211801	LOCK NUT		8	
49	504812701	PARALLEL ROD ASSY		1	
50	502642301	PARALLEL ROD		1	
51	506839803	BOLT		1	
52	721618301	SPLIT PIN		1	
53	502642001	DECK FRAME		1	
54	738210404	BALL BEARING		4	
55	535505901	PIVOTHJUL		2	
56	535504601	FORK		1	55
57	506963001	WHEEL ASSY		1	55
58	506810802	TUBE		1	55
59	506874102	SPACER		2	55
60	725251951	SCREW EHHM		1	55
61	732212051	NUT		1	55
62	506504805	WASHER		2	
63	506570104	SCREW EHHFM		2	
64	734116441	WASHER		2	
65	544017001	HUB CAP		2	
66	506597401	SCREW EHHFM		4	
67	732211801	LOCK NUT		2	
68	502639501	DECK ATTACHMENT		1	
69	502642401	LOCK		1	
70	725245171	SCREW EHHM		1	
71	732211801	LOCK NUT		1	

MOWER DECK, CT112



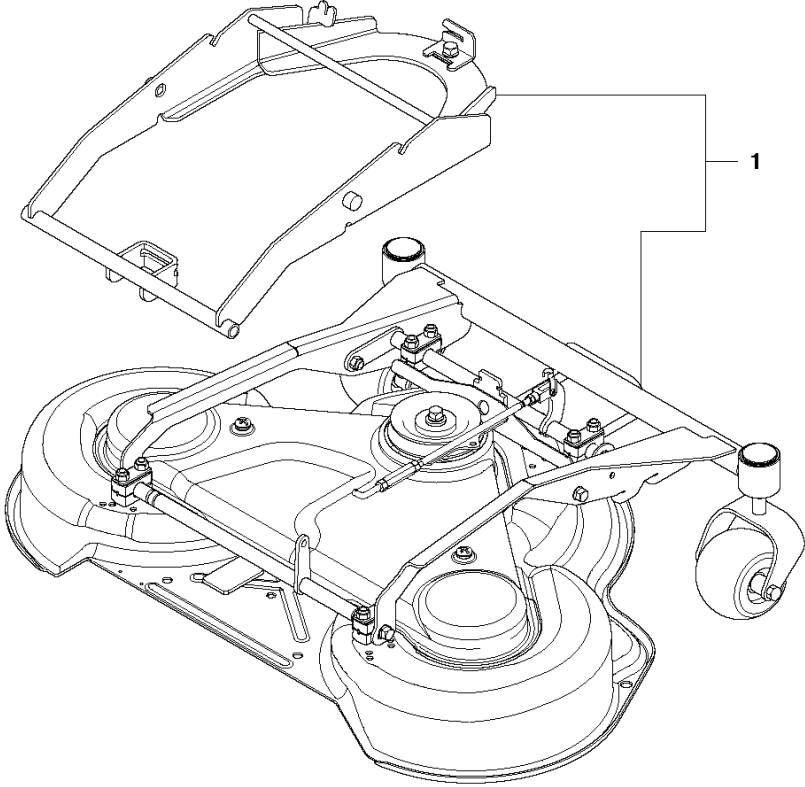
REF.	PART NO.	DESCRIPTION	REMARK	QTY.	KIT
1	504569901	DECK SHELL ASSY		1	
2	506916201	NUT		1	
3	544449301	PLUG		1	
4	506570104	SCREW EHHFM		1	
5	535503501	MANDREL		1	
6	544067801	BEARING HOUSING		1	5
7	535428701	SHAFT		1	5
8	535428801	SPACER		1	5
9	738220519	BALL BEARING		2	5
10	535503502	MANDREL		2	
11	544067801	BEARING HOUSING		1	10
12	535428702	SHAFT		1	10
13	535428801	SPACER		1	10
14	738220519	BALL BEARING		2	10
15	535423801	SCREW RSQM		12	
16	734116401	WASHER		12	
17	732211801	LOCK NUT		12	
18	535429001	PULLEY		4	
19	506533501	PARALLEL KEY		7	
20	535428801	SPACER		1	
21	535429201	WASHER		3	
22	725254251	SCREW EHHM		3	
23	535504201	ADAPTER		3	
24	504187810	BLADE		3	
25	506792302	KNIFE PLATE		3	
26	725254251	SCREW EHHM		3	
27	506540701	BELT TENSIONER ASSY		1	
28	506519501	SPÄNNARM KPL.		1	27
29	506532701	PULLEY		1	27
30	734116441	WASHER		1	27
31	506558302	SCREW EHHFT		1	27
32	506918702	WASHER		1	
33	725245171	SCREW EHHM		1	
34	732211801	LOCK NUT		1	
35	506533101	SPRING		1	
36	589531901	BELT		1	
37	544096201	BELT COVER		1	
38	506982601	SCREW		2	
39	506559701	WASHER		2	
72	506789701	LABEL		1	
73	544238112	LABEL		1	
74	506929001	LABEL		1	

MOWER DECK, CT94



REF.	PART NO.	DESCRIPTION	REMARK	QTY.	KIT
1	544065509	DECK SHELL ASSY		1	
2	506916201	NUT		1	
3	544065801	PLUG		1	
4	544066101	KNOB		1	
5	535503501	MANDREL		1	
6	544067801	BEARING HOUSING		1	5
7	535428701	SHAFT		1	5
8	535428801	SPACER		1	5
9	738220519	BALL BEARING		2	5
10	535503502	MANDREL		2	
11	544067801	BEARING HOUSING		1	10
12	535428702	SHAFT		1	10
13	535428801	SPACER		1	10
14	738220519	BALL BEARING		2	10
15	535423801	SCREW RSQM		12	
16	734116401	WASHER		12	
17	732211801	LOCK NUT		12	
18	535429001	PULLEY		4	
19	506533501	PARALLEL KEY		7	
20	535428801	SPACER		1	
21	535429201	WASHER		3	
22	725254251	SCREW EHHM		3	
23	535504201	ADAPTER		3	
24	579652610	BLADE		3	
25	506792302	KNIFE PLATE		3	
26	725254251	SCREW EHHM		3	
27	506540701	BELT TENSIONER ASSY		1	27
28	506519501	SPÄNNARM KPL.		1	27
29	506532701	PULLEY		1	27
30	734116441	WASHER		1	27
31	506558302	SCREW EHHFT		1	
32	506918702	WASHER		1	
33	725245171	SCREW EHHM		1	
34	732211801	LOCK NUT		1	
35	506533101	SPRING		1	
36	589538501	BELT		1	
37	544066301	BELT COVER		1	
38	506982601	SCREW		2	
39	506559701	WASHER		2	
72	506789701	LABEL		1	
73	544238110	LABEL		1	
74	506929001	LABEL		1	

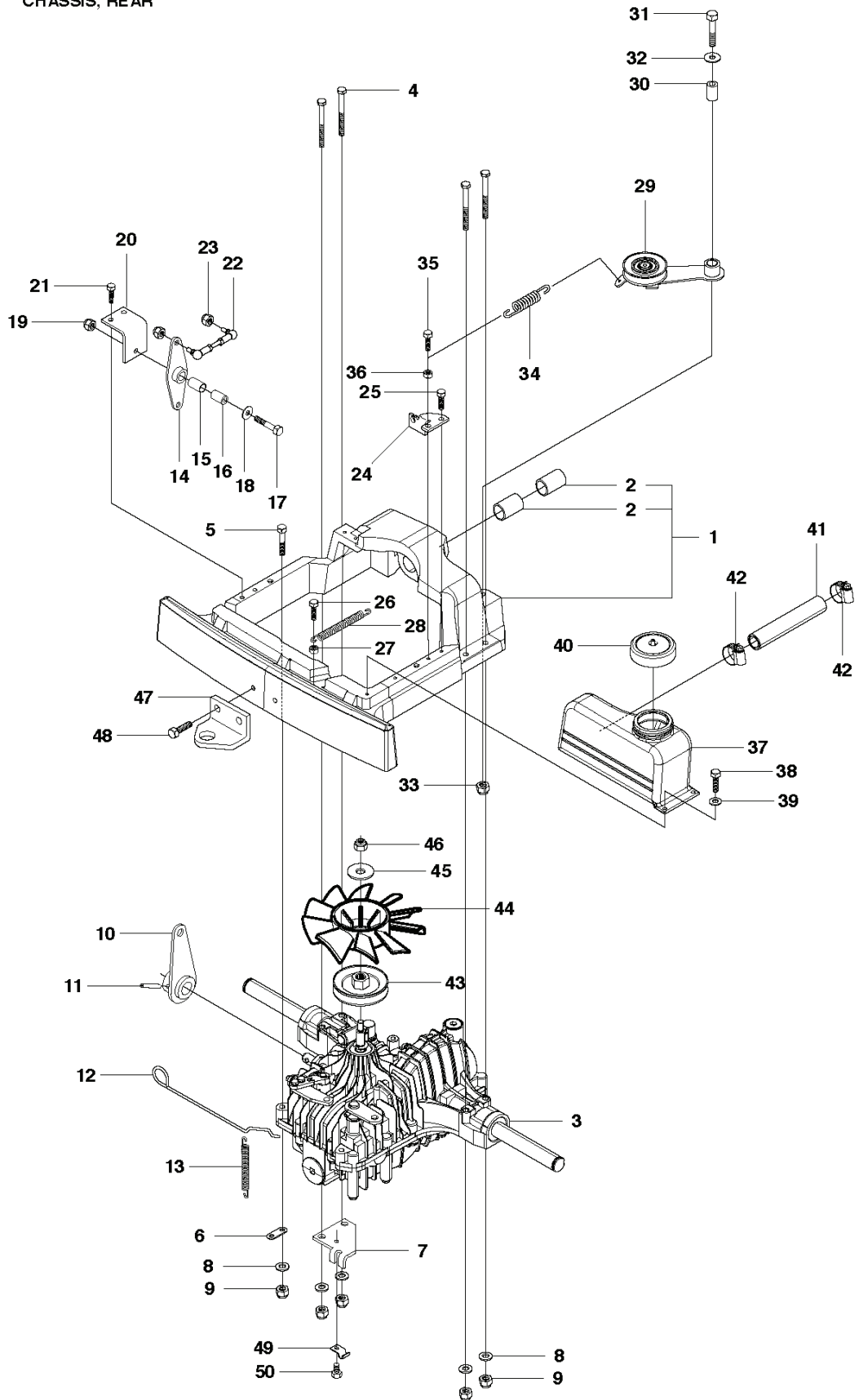
MOWER DECK, CT94



---

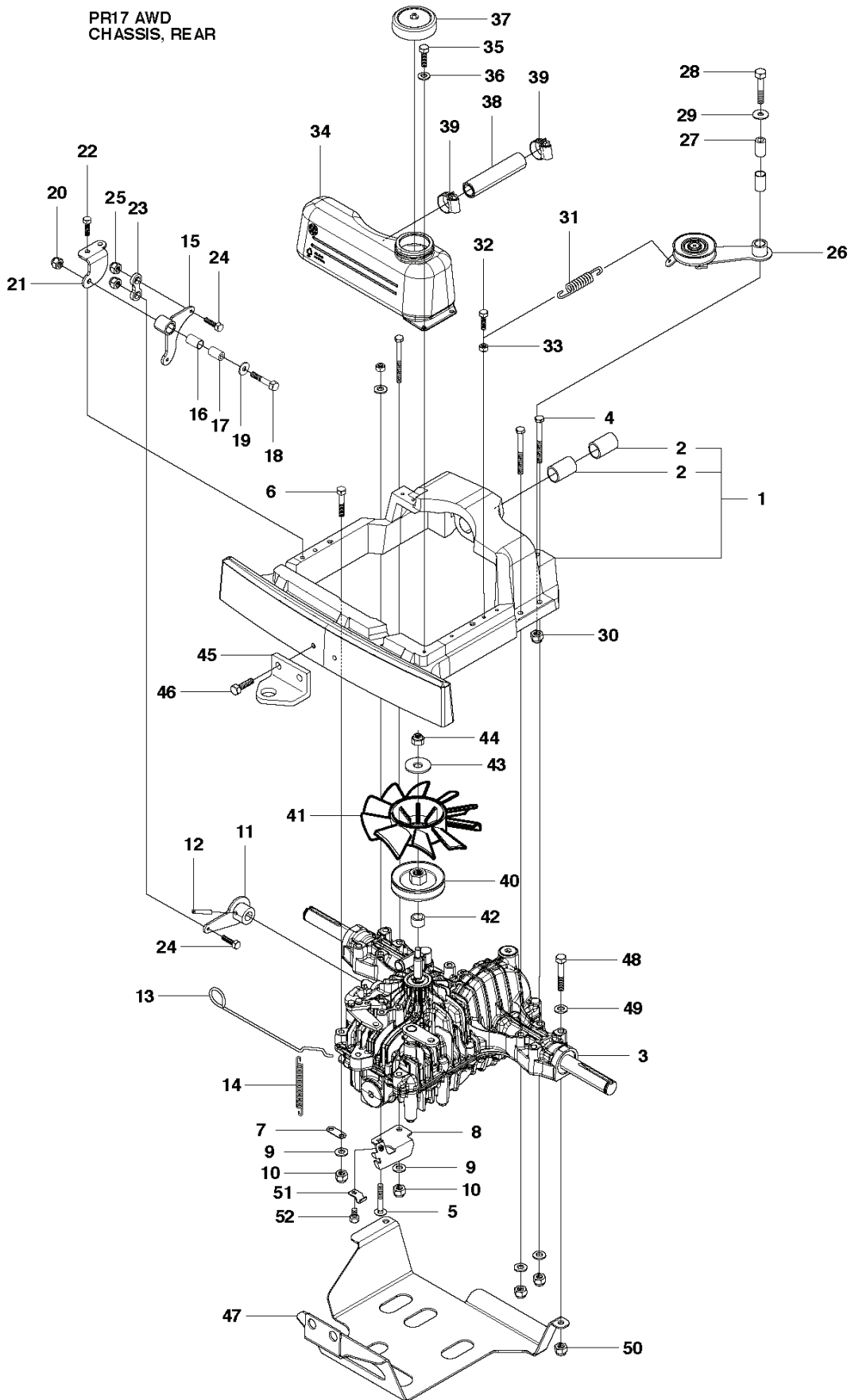
REF.	PART NO.	DESCRIPTION	REMARK	QTY.	KIT
1	965197101	CUTTING DECK		1	

PR17  
CHASSIS, REAR



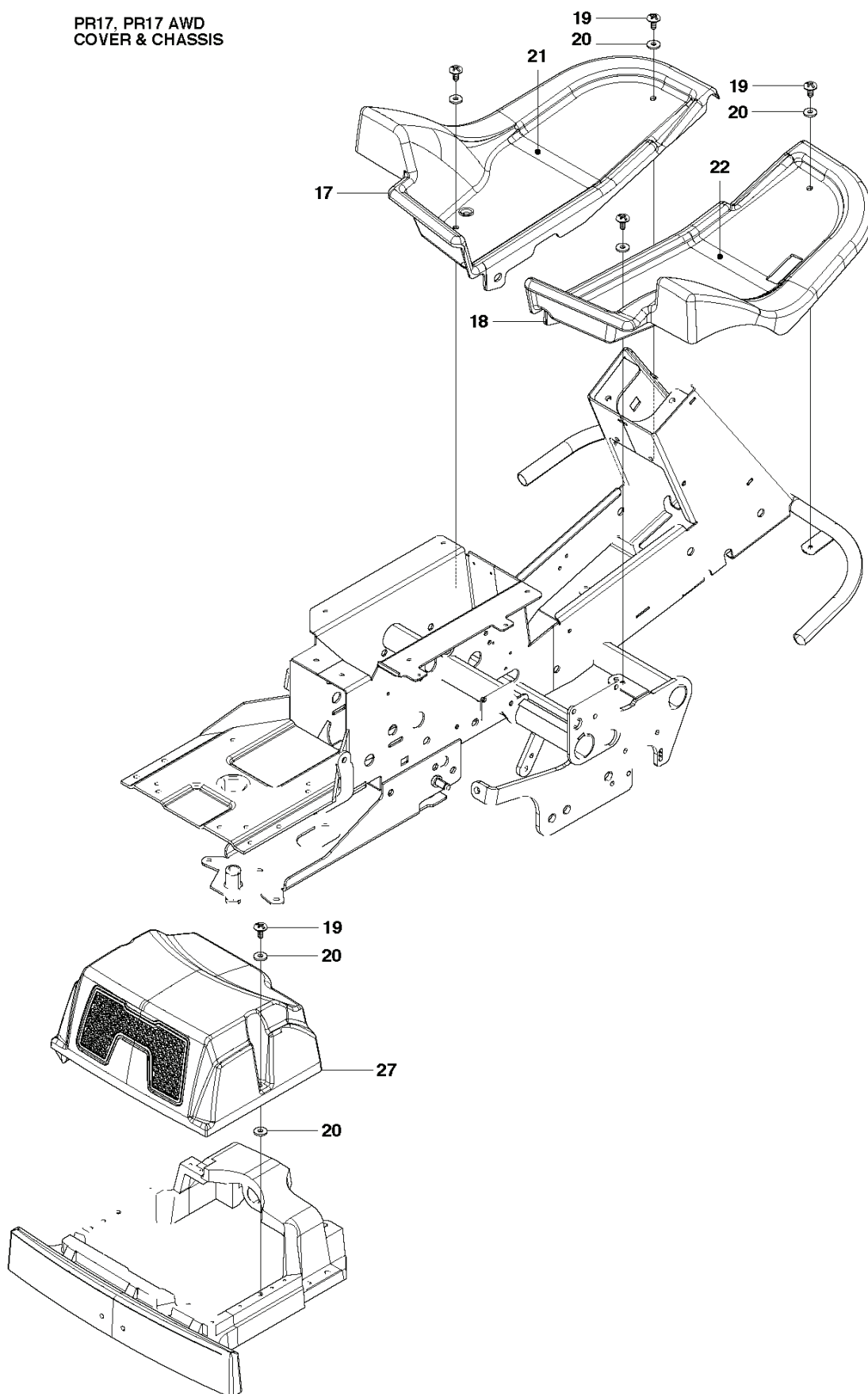
REF.	PART NO.	DESCRIPTION	REMARK	QTY.	KIT
1	535406101	BRACKET		1	
2	506986102	GLIDLAGER		2	1
3	574425101	TRANSMISSION		1	
4	504628201	SCREW EHHM		4	
5	725246651	SCREW		1	
6	506599301	LINK		1	
7	506991501	BRACKET		1	
8	734116401	WASHER		5	
9	732211801	LOCK NUT		5	
10	506992401	LEVER		1	
11	721434701	SPRING PIN		1	
12	505490101	ARM		1	
13	506834301	SPRING		1	
14	506991601	LEVER		1	
15	506986103	BUSHING		1	
16	506992001	PIPE		1	
17	725246051	SCREW EHHM		1	
18	734116441	WASHER		1	
19	732211801	LOCK NUT		1	
20	506992101	LEVER		1	
21	725244971	SCREW EHHM		2	
22	506992201	ADJUSTMENT ROD		1	
23	732211601	LOCK NUT		2	
24	506992801	BRACKET		1	
25	725236871	SCREW EHHM		1	
26	725237271	SCREW EHHM		1	
27	731231601	HEXAGON NUT		1	
28	506535603	DRAW SPRING		1	
29	506993001	BELT TENSIONER ASSY		1	
30	506992001	PIPE		1	
31	725246251	SCREW EHHM		1	
32	734116441	WASHER		1	
33	732211801	LOCK NUT		1	
34	506542502	SPRING		1	
35	725237271	SCREW EHHM		1	
36	731231601	HEXAGON NUT		1	
37	535458101	EXPANSION TANK		1	
38	725236871	SCREW EHHM		2	
39	734115441	WASHER		2	
40	506673301	TANK CAP ASSY		1	
41	535458301	HOSE		1	
42	505443601	HOSE CLAMP		2	
43	506991401	PULLEY		1	
44	506948101	FAN		1	
45	734117441	WASHER		1	
46	732212001	LOCK NUT		1	
47	506889901	HITCH		1	
48	725249371	SCREW EHHM		2	
49	506566501	CLIP		1	
50	725236671	SCREW EHHM		1	

PR17 AWD  
CHASSIS, REAR



REF.	PART NO.	DESCRIPTION	REMARK	QTY.	KIT
1	535406101	BRACKET		1	
2	506986102	GLIDLAGER		2	1
3	574425001	TRANSMISSION		1	
4	504628201	SCREW EHHM		3	
5	535423808	SCREW RSQM		1	
6	725246651	SCREW		1	
7	506599301	LINK		1	
8	544388101	BRACKET		1	
9	734116401	WASHER		5	
10	732211801	LOCK NUT		5	
11	544387301	CONTROL LEVER		1	
12	721434701	SPRING PIN		1	
13	505490101	ARM		1	
14	506834301	SPRING		1	
15	544388201	LEVER		1	
16	506986103	BUSHING		1	
17	506992001	PIPE		1	
18	725246051	SCREW EHHM		1	
19	734116441	WASHER		1	
20	732211801	LOCK NUT		1	
21	544388501	BRACKET		1	
22	725244971	SCREW EHHM		2	
23	544888401	LINK RODS		1	
24	535475316	SCREW EHHFM		2	
25	732211401	LOCK NUT		2	
26	506993001	BELT TENSIONER ASSY		1	
27	506992001	PIPE		1	
28	725246251	SCREW EHHM		1	
29	734116441	WASHER		1	
30	732211801	LOCK NUT		1	
31	506542502	SPRING		1	
32	725237271	SCREW EHHM		1	
33	731231601	HEXAGON NUT		1	
34	544388601	EXPANSION TANK		1	
35	725236871	SCREW EHHM		2	
36	734115441	WASHER		2	
37	506673301	TANK CAP ASSY		1	
38	535458302	HOSE		1	
39	505443601	HOSE CLAMP		2	
40	506991401	PULLEY		1	
41	506948101	FAN		1	
42	502433801	SLEEVE		1	
43	734117441	WASHER		1	
44	732212001	LOCK NUT		1	
45	506889901	HITCH		1	
46	725249371	SCREW EHHM		2	
47	504555101	SKID PLATE		1	
48	725246451	SCREW EHHM		2	
49	734116401	WASHER		2	
50	732211801	LOCK NUT		2	
51	506566501	CLIP		1	
52	725236671	SCREW EHHM		1	

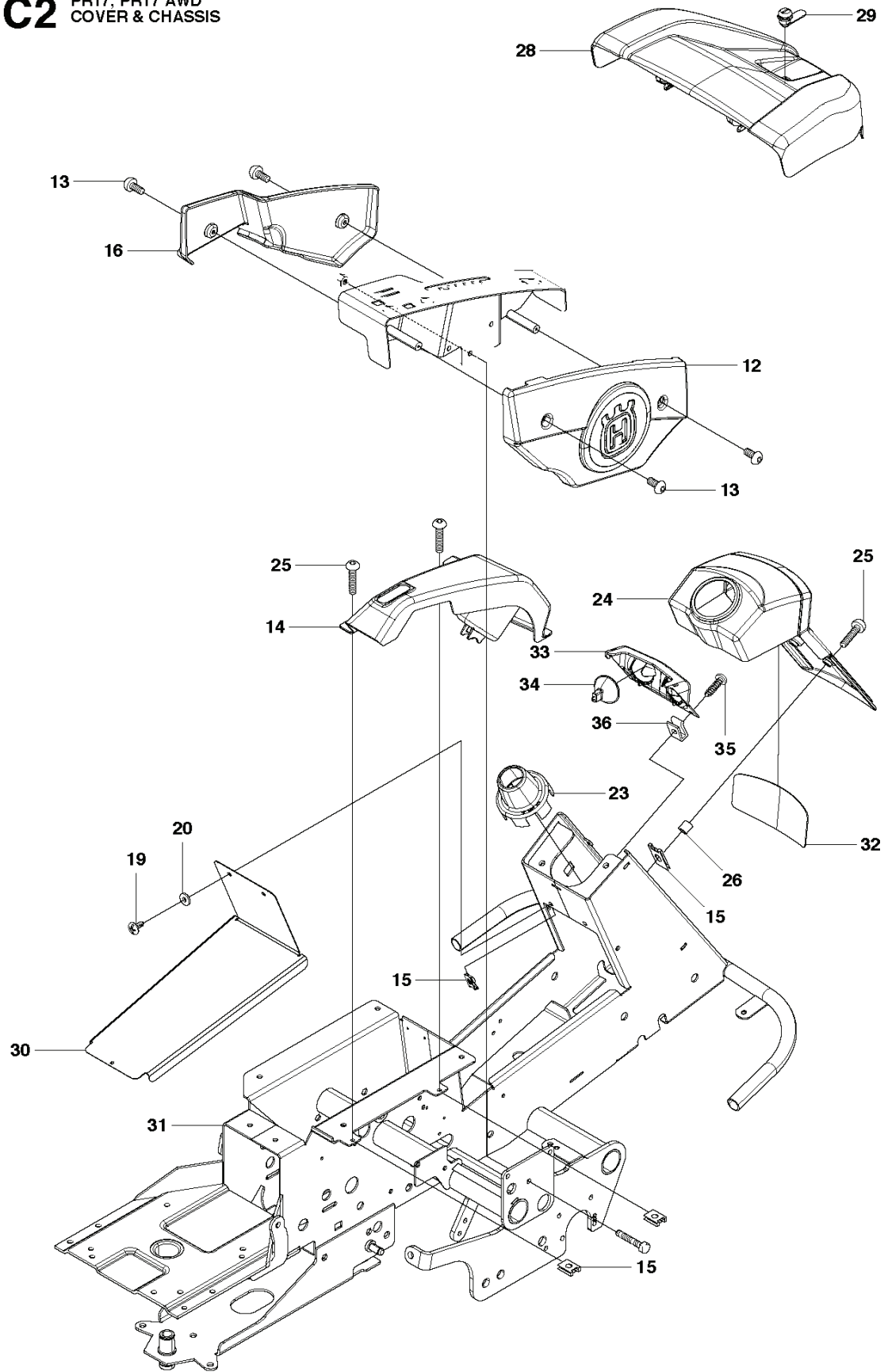
PR17, PR17 AWD  
COVER & CHASSIS



---

REF.	PART NO.	DESCRIPTION	REMARK	QTY.	KIT
17	535445702	FLYGEL VÄNSTER		1	
18	535445802	FLYGEL HÖGER		1	
19	506982601	SCREW		6	
20	506559701	WASHER		8	
21	535445901	PEDISTAL MAT		1	
22	535445902	PEDISTAL MAT		1	
27	574886101	COVER		1	

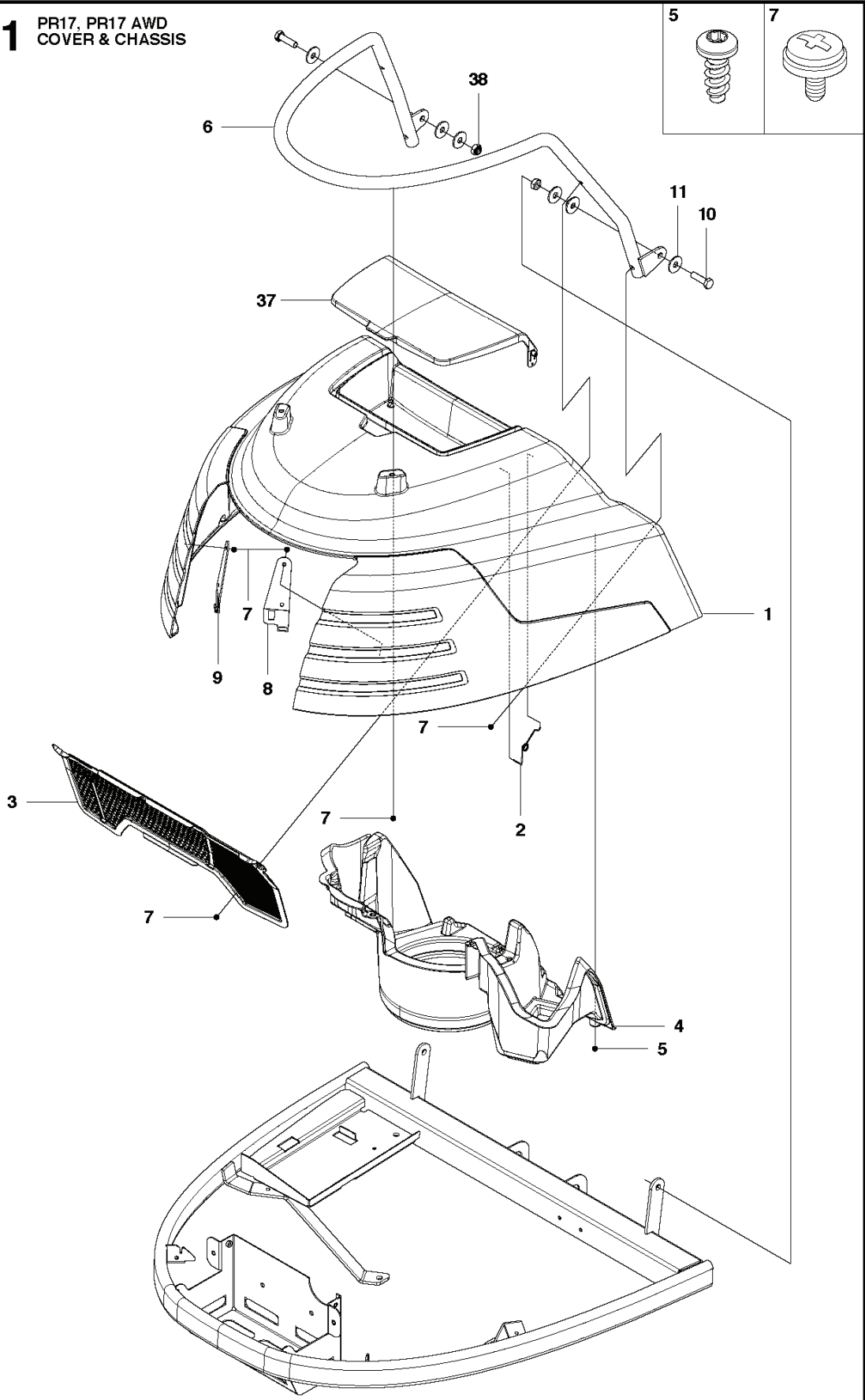
**C2** PR17, PR17 AWD  
COVER & CHASSIS



---

REF.	PART NO.	DESCRIPTION	REMARK	QTY.	KIT
12	502637401	CONTROL COVER		1	
13	535425801	SCREW IH PANM		4	
14	502637601	CONTROL COVER		1	
15	535429101	SPRING NUT		6	
16	535446401	CONTROL CAP INNER		1	
19	506982601	SCREW		6	
20	506559701	WASHER		8	
23	535460501	SEALING		1	
24	535459701	COVER		1	
25	535425802	SCREW IH PANM		4	
26	535462901	SPACER		2	
28	504702401	UNIT COVER		1	
29	525390501	LOCK		1	
30	535421501	LOCK GOLVTUNNEL		1	
31	502298301	CHASSIS		1	
32	535447101	LAMP CHIMNEY		1	
33	535446701	HOUSING		1	
34	535446801	LAMP		2	
35	535415619	SCREW		2	
36	506892001	SPEED NUT		2	

**C1** PR17, PR17 AWD  
COVER & CHASSIS



---

REF.	PART NO.	DESCRIPTION	REMARK	QTY.	KIT
1	502625501	ENGINE HOOD ASSY		1	
2	504124101	SPRING		2	
3	502482201	GRID		1	
4	504101901	AIR CONDUCTOR		1	
5	504610901	SCREW ITPANT		5	
6	502494601	LOAD CARRIER		1	
7	544400501	SCREW		10	
8	504613901	GUIDE PLATE		1	
9	504613902	GUIDE PLATE		1	
10	725249751	SCREW		2	
11	734117460	WASHER		2	
37	504101401	LID		1	
38	732212051	NUT		1	

PR17, PR17 AWD  
LABEL, ASSY

3



1



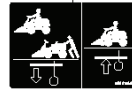
4



2



5



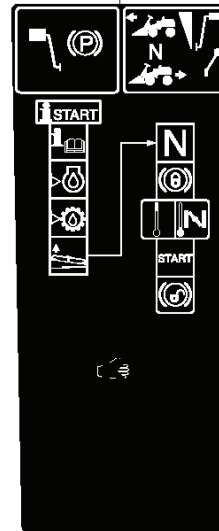
6



7



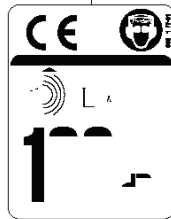
8



9



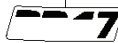
10



11



12



13



14



15



16

-

17

-

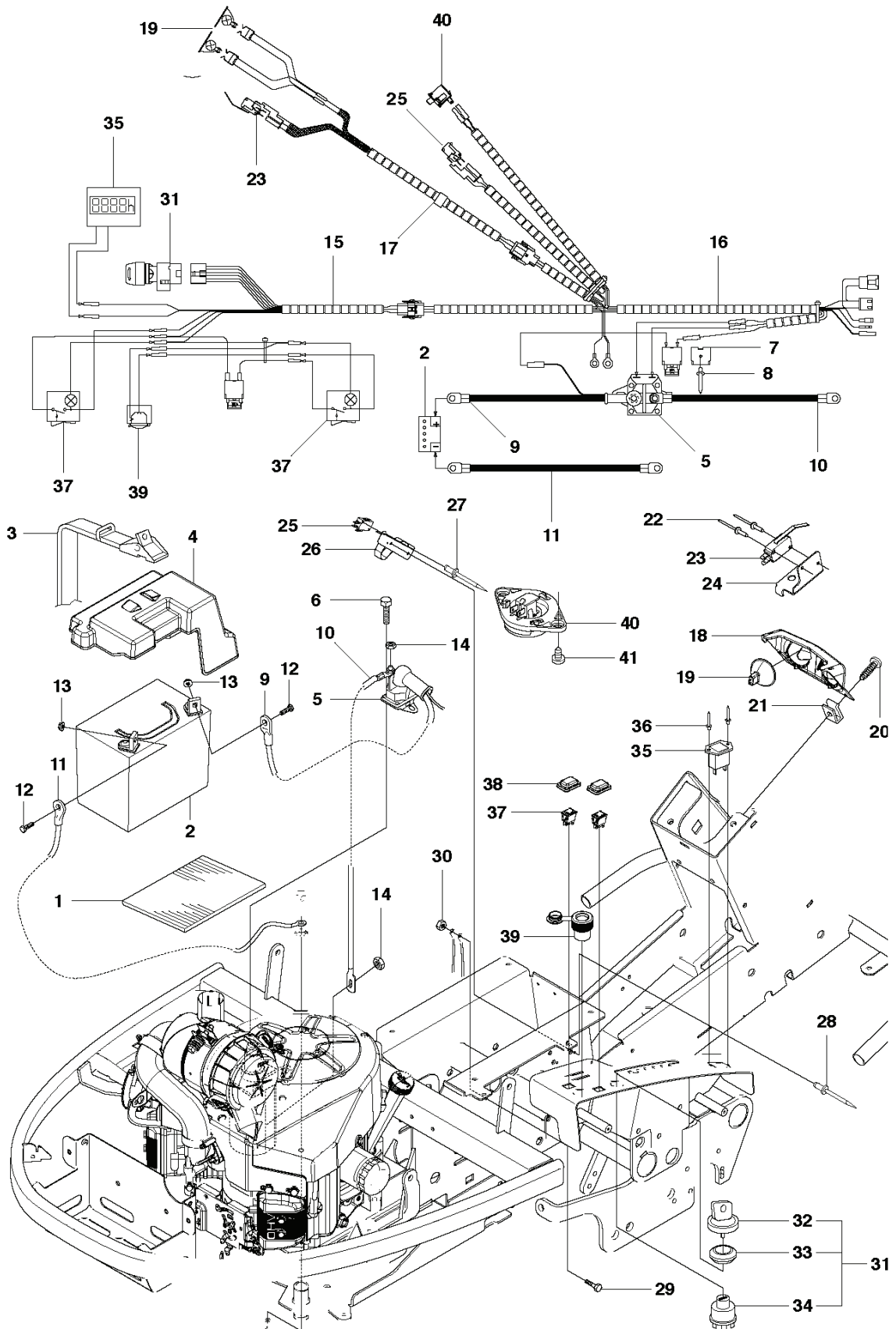
18



---

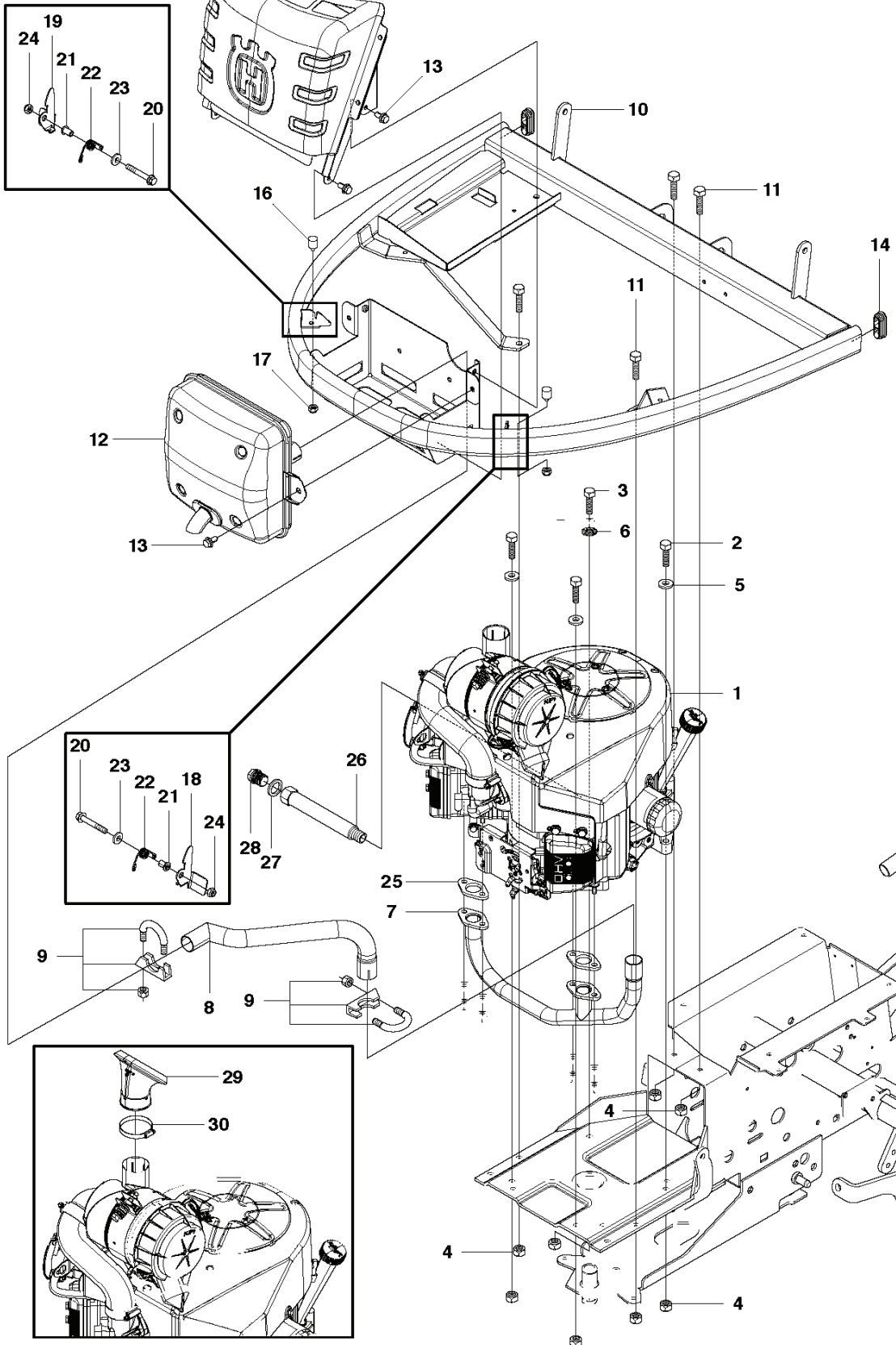
REF.	PART NO.	DESCRIPTION	REMARK	QTY.	KIT
1	535476701	CONTROL LABEL		1	
2	506893301	DECAL		1	
3	506893401	DECAL		1	
4	506893501	DECAL		1	
5	544211401	LABEL		2	
6	544833501	LABEL		2	
7	506968301	DECAL		1	
8	506944801	LABEL		1	
9	535413101	LABEL		1	
10	505217701	LABEL		1	
11	506584501	LABEL		1	
12	505514501	LABEL		1	
13	505514401	LABEL		1	
14	505516601	LABEL		1	
15	505516701	LABEL		2	
16	544391102	LABEL		1	
17	544391101	LABEL		2	
18	535458702	LABEL		1	

PR17, PR17 AWD  
ELECTRIC SYSTEM



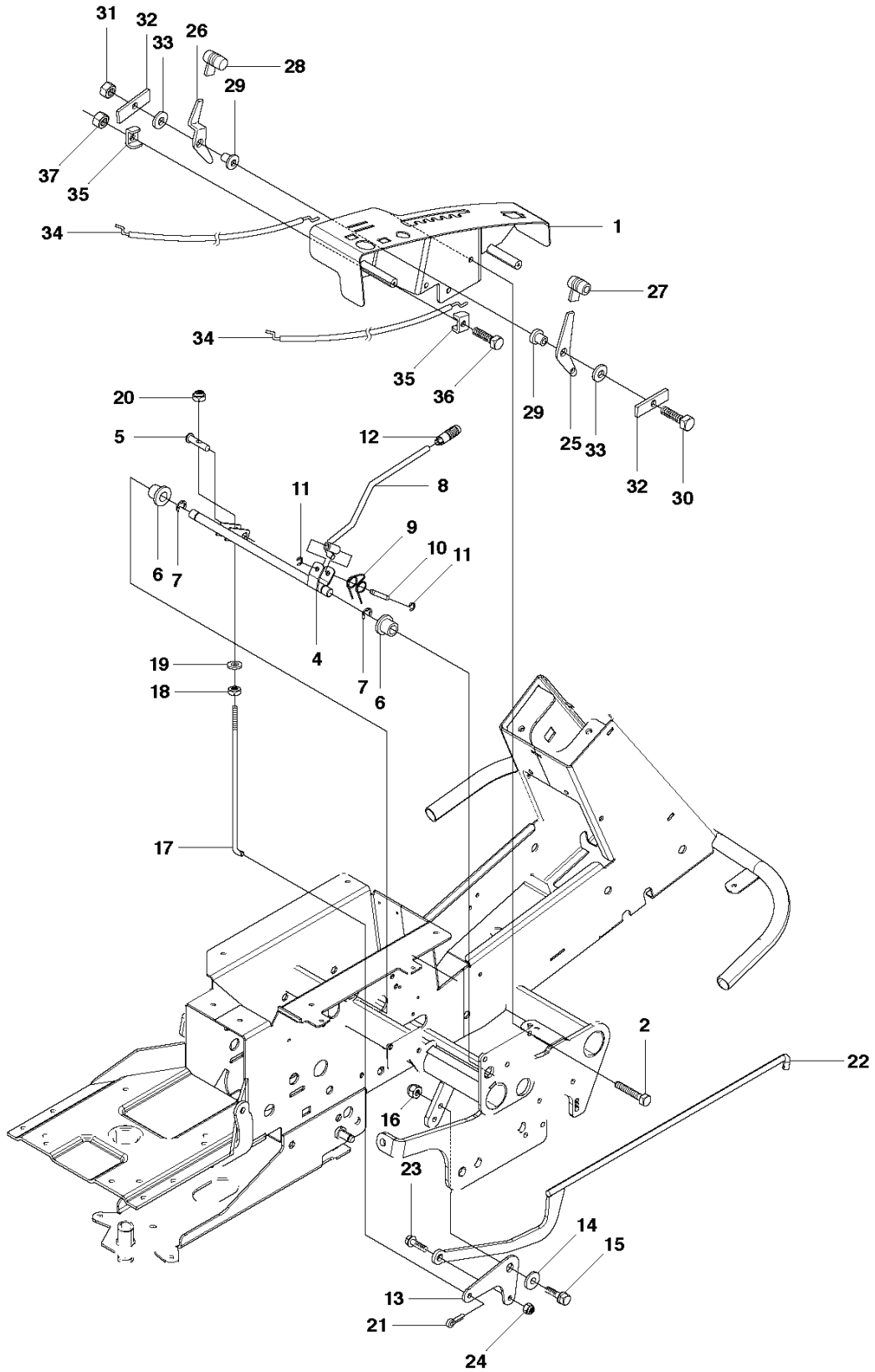
REF.	PART NO.	DESCRIPTION	REMARK	QTY.	KIT
1	535441101	BATTERY MAT		1	
2	510138501	BATTERY		1	
3	506836802	BELT		1	
4	504639201	COVER		1	
5	544439801	RELAY		1	
6	725236461	SCREW EHHFT		1	
7	501007501	CLIP		1	
8	722782209	BLIND RIVET		1	
9	576184001	CABLE		1	
10	576183901	CABLE		1	
11	576183802	CABLE		1	
12	522622101	SCREW EHHM		2	
13	522624301	NUT		2	
14	506899801	NUT		3	
15	501002501	WIRING		1	
16	501002401	WIRING		1	
17	544849801	WIRING		1	
18	535446701	HOUSING		1	
19	535446801	LAMP		2	
20	535415619	SCREW		2	
21	506892001	SPEED NUT		2	
22	544440701	RIVET		2	
23	544415501	SWITCH		1	
24	544415701	BRACKET		1	
25	535469101	SWITCH		1	
26	535457001	PLATE SPRING		1	
27	544440701	RIVET		2	
28	722783902	BLIND RIVET		2	
29	725232551	SCREW		1	
30	731231401	HEXAGON NUT		1	
31	535474901	KEY SWITCH		1	
32	535476001	IGNITION KEY		1	31
33	535475001	WASHER		1	31
34	504851701	KEY SWITCH		1	31
35	535409201	HOUR METER		1	
36	722782502	RIVET		2	
37	535462301	SWITCH		2	
38	535462401	SHIELDING MEDIUM		2	
39	535474801	POWER SOCKET		1	
40	506565601	SÄTESBRYTARE KPL		1	
41	503218816	SCREW IHSCT		2	

PR17, PR17 AWD  
ENGINE UNIT



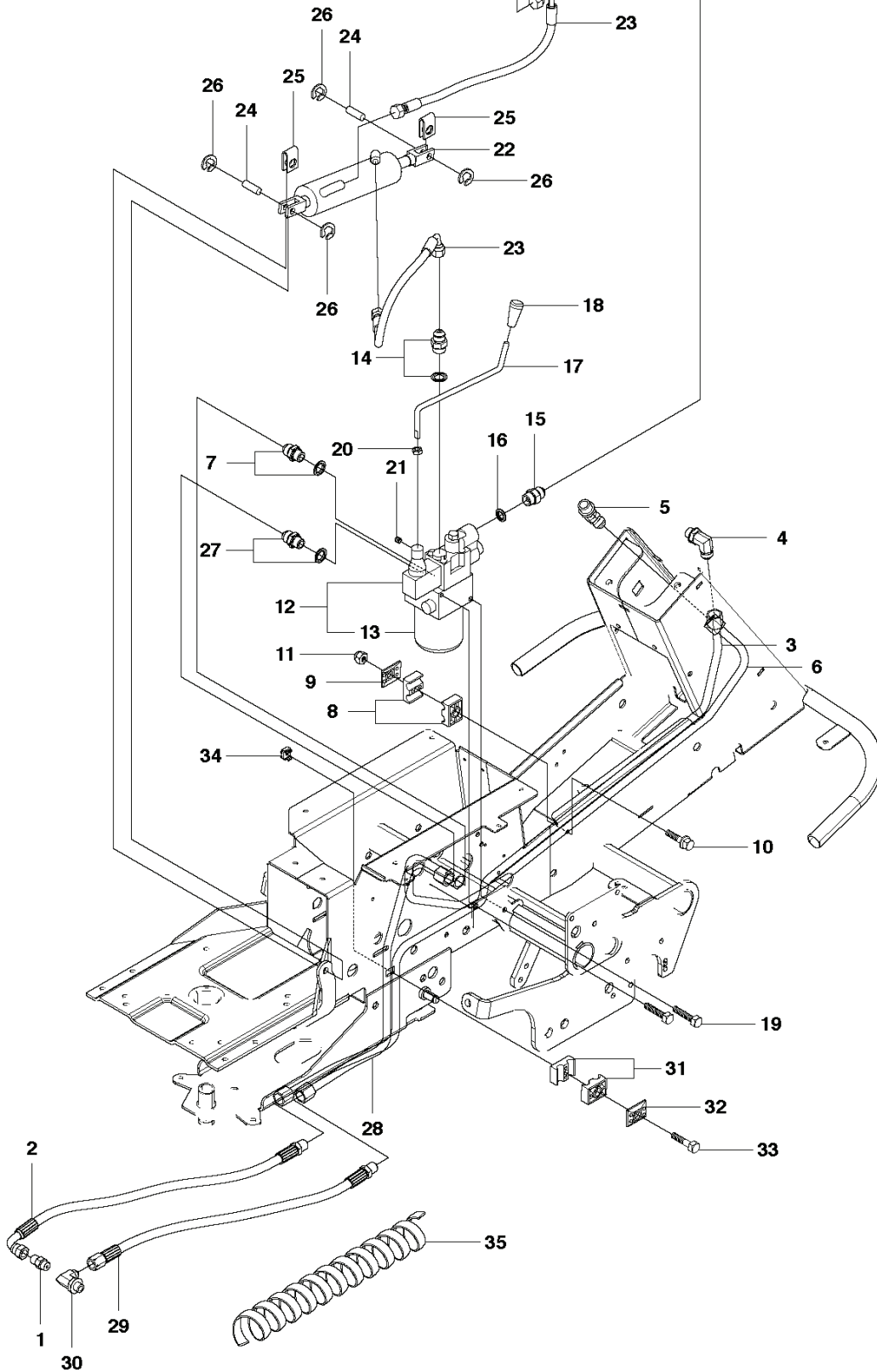
REF.	PART NO.	DESCRIPTION	REMARK	QTY.	KIT
1	502636501	ENGINE		1	
2	725245751	SCREW		3	
3	725245951	SCREW EHHM		1	
4	732211801	LOCK NUT		8	
5	734116401	WASHER		3	
6	735216400	LOCKWASHER		1	
7	502636701	EXHAUST PIPE		1	
8	502637001	EXHAUST EXTENDER		1	
9	506668401	CLAMP ASSY		2	
10	502530401	ENGINE FRAME		1	
11	725245171	SCREW EHHM		4	
12	544392701	MUFFLER ASSY		1	
13	535475212	SCREW EHHFM		6	
14	504643601	PLUG		2	
15	505395501	HEAT PROTECTOR		1	
16	504638801	DAMPER		2	
17	732211401	LOCK NUT		2	
18	504613401	LATCH		1	
19	504613402	LATCH		1	
20	725237451	SCREW EHHM		2	
21	504638401	BUSHING		2	
22	504639001	SPRING		2	
23	734115441	WASHER		2	
24	732211601	LOCK NUT		2	
25	535414236	GASKET		2	1
26	535414416	JOINT		1	1
27	531001190	O-RING		1	1
28	535414460	PLUG		1	1
29	504547001	BELLOWS		1	
30	544202703	HOSE CLAMP		1	

PR17, PR17 AWD  
HEIGHT ADJUSTER & CONTROL UNIT



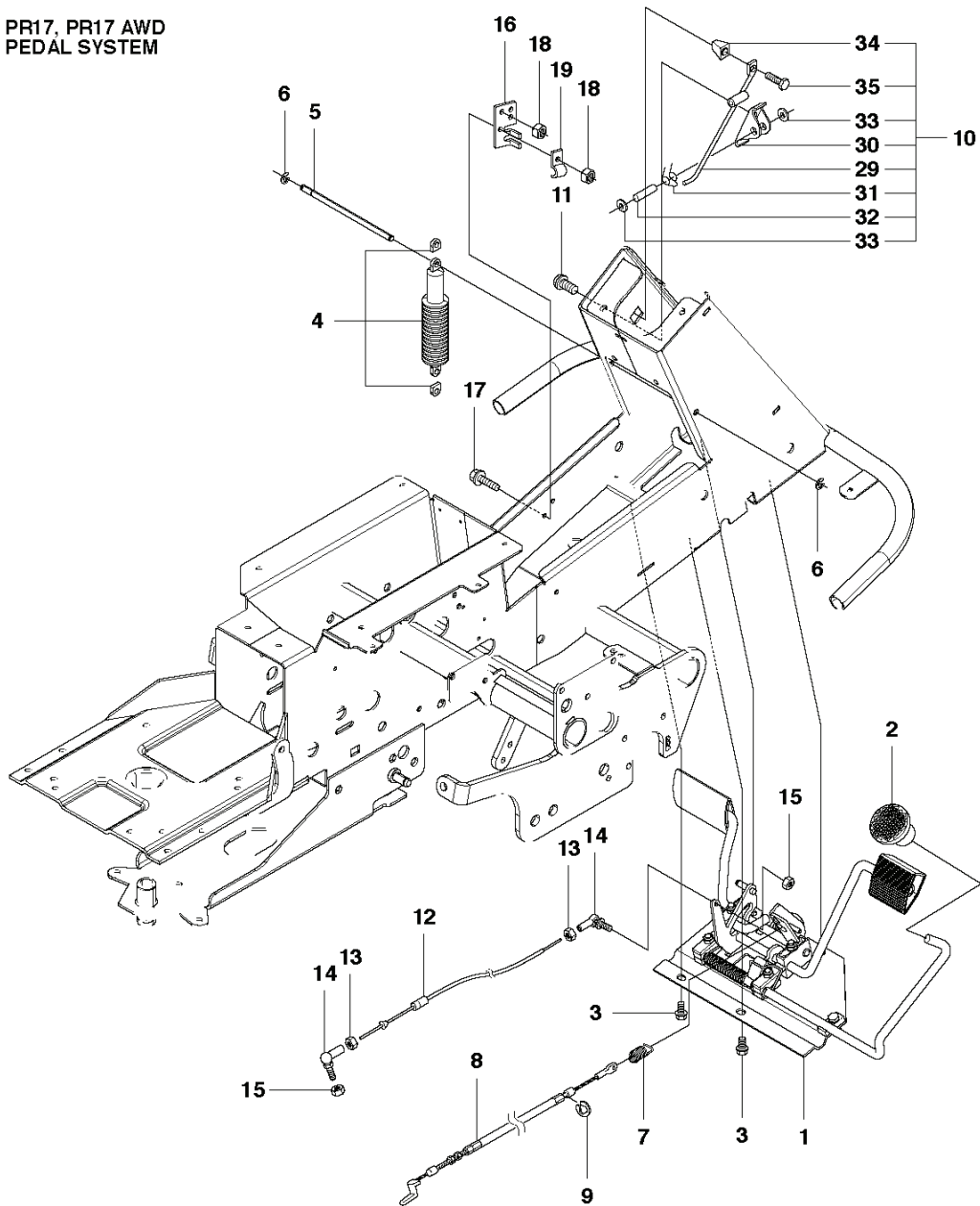
REF.	PART NO.	DESCRIPTION	REMARK	QTY.	KIT
1	535475601	CONTROL PLATE		1	
2	725245171	SCREW EHHM		3	
4	506784502	CONTROL LEVER		1	
5	506784601	PEN		1	
6	506554301	BEARING		2	
7	735312220	E-CLIP		2	
8	506784701	REGLERSPAK KPL.		1	
9	506531401	SPRING		1	
10	506531501	SHAFT		1	
11	735310920	E-CLIP		2	
12	506542001	HANDLE		1	
13	502636301	LINK		1	
14	506918702	WASHER		1	
15	725245371	SCREW EHHM		1	
16	732211601	LOCK NUT		1	
17	506854501	HEIGHT ROD		1	
18	731231801	HEXAGON NUT		1	
19	734117201	WASHER		1	
20	732211801	LOCK NUT		1	
21	721618301	SPLIT PIN		1	
22	502636401	CONNECTOR		1	
23	506597401	SCREW EHHFM		1	
24	731231801	HEXAGON NUT		1	
25	506865903	CONTROL		1	
26	506865904	CONTROL		1	
27	506889101	KNOB		1	
28	506889102	KNOB		1	
29	506888901	BUSHING		2	
30	725237471	SCREW EHHM		1	
31	732211601	LOCK NUT		1	
32	506928502	LOCKWASHER		2	
33	506839401	SPRING WASHER		2	
34	506863906	GASWIRE KPL.		2	
35	506508201	CLIP		2	
36	725233551	SCREW EHHM		1	
37	732211401	LOCK NUT		1	

PR17  
HYDRAULICS



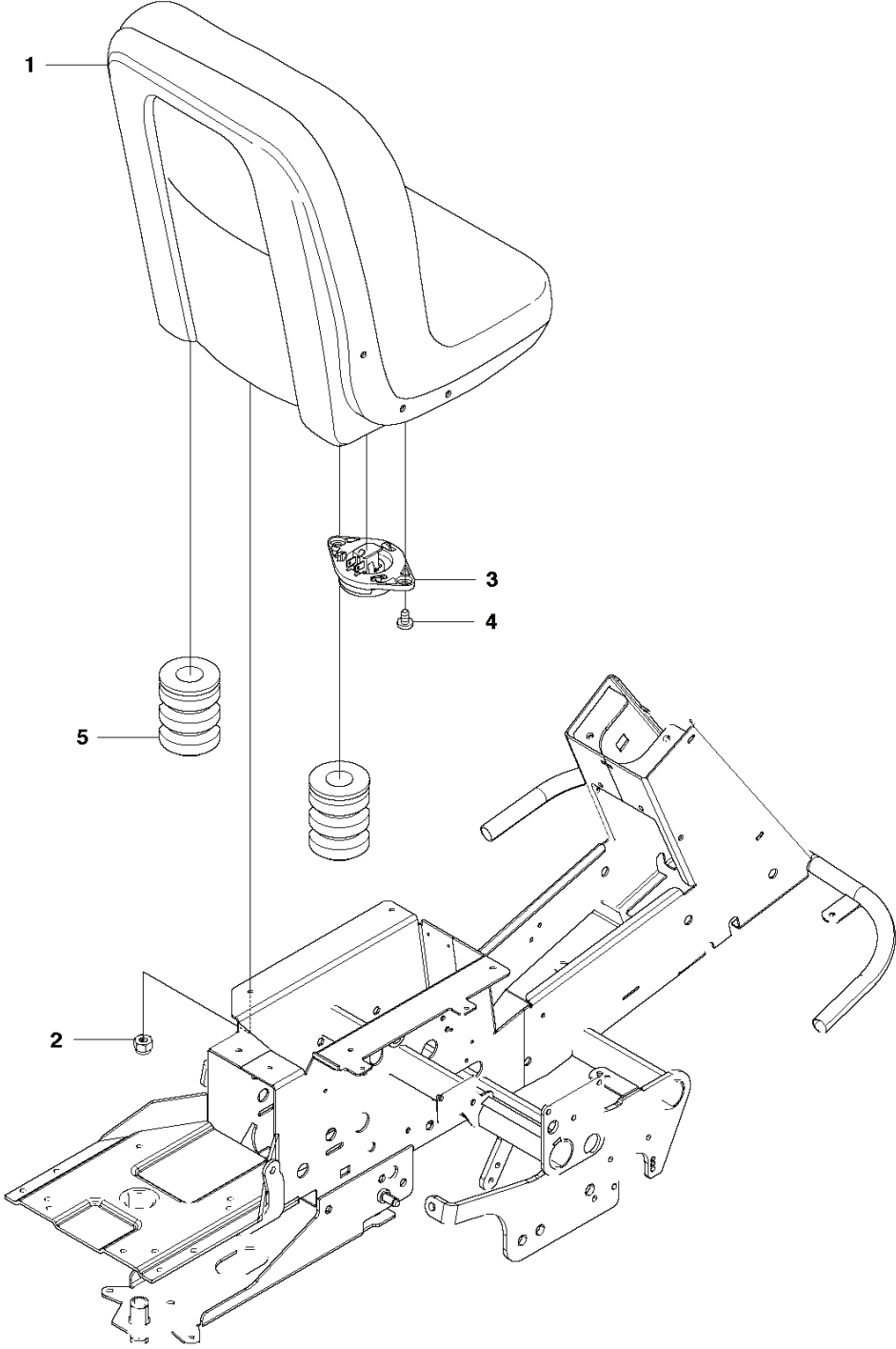
REF.	PART NO.	DESCRIPTION	REMARK	QTY.	KIT
1	535426501	PIPE FITTING		1	
2	535450301	HYDRAULIC HOSE		1	
3	504210301	HYDRAULIC PIPE		1	
4	535437301	PIPE FITTING		1	
5	535426901	PIPE FITTING		1	
6	504209901	HYDRAULIC PIPE		1	
7	535426801	PIPE FITTING		1	
8	544373303	PIPE CLAMP		1	
9	535438501	COVER WASHER		1	
10	535475245	SCREW EHHFM		1	
11	732211601	LOCK NUT		1	
12	522535601	FILTER UNIT		1	
13	535427502	FILTER		1	12
14	535437001	PIPE FITTING		1	
15	535437101	PIPE FITTING		1	
16	535437201	WASHER		1	
17	505440001	LIFTING LEVER		1	
18	535438201	KNOB		1	
19	725244971	SCREW EHHM		2	
20	731231801	HEXAGON NUT		1	
21	728844305	SCREW IHSETM		1	
22	535427201	CYLINDER ASSY		1	
23	535427103	HYDRAULIC HOSE		2	
24	535437601	LOCKING PIN		2	
25	535456601	U-PLÁT		2	
26	735311200	CIRCLIP		4	
27	535426801	PIPE FITTING		1	
28	504210401	HYDRAULIC PIPE		1	
29	535450402	HYDRAULIC HOSE		1	
30	535426601	PIPE FITTING		1	
31	544373303	PIPE CLAMP		1	
32	535438501	COVER WASHER		1	
33	535475245	SCREW EHHFM		1	
34	544811702	CAGE NUT		1	
35	544026601	HOSE GUARD		1	

PR17, PR17 AWD  
PEDAL SYSTEM



REF.	PART NO.	DESCRIPTION	REMARK	QTY.	KIT
1	544126001	PEDAL PLATE ASSY		1	
2	535473701	KNOB		1	
3	506570104	SCREW EHHFM		4	
4	506938301	DAMPING PIECE		1	
5	506938402	SHAFT		1	
6	735310920	E-CLIP		2	
7	506946301	BRAKE SPRING		1	
8	506992701	BRAKE WIRE	PR17	1	
8	576712101	BRAKE WIRE	PR17 AWD	1	
9	735310920	E-CLIP		1	
10	506538404	BROMSSPÄRR KPL. GEM.		1	
11	725236461	SCREW EHHFT		2	
12	574411201	CONTROL CABLE		1	
13	731231401	HEXAGON NUT		2	
14	506557301	VINKELLAS8 DIN71802		2	
15	732211401	LOCK NUT		2	
16	506800001	BRACKET		1	
17	535475316	SCREW EHHFM		2	
18	732211401	LOCK NUT		2	
19	506566501	CLIP		1	
29	506538501	LOCKING ARM		1	10
30	506538601	BRACKET		1	10
31	506538901	SPRING		1	10
32	506538801	SHAFT		1	10
33	735583501	WASHER		2	10
34	506538704	CONTROL BUTTON		1	10
35	729532971	SCREW CRPANT		1	10

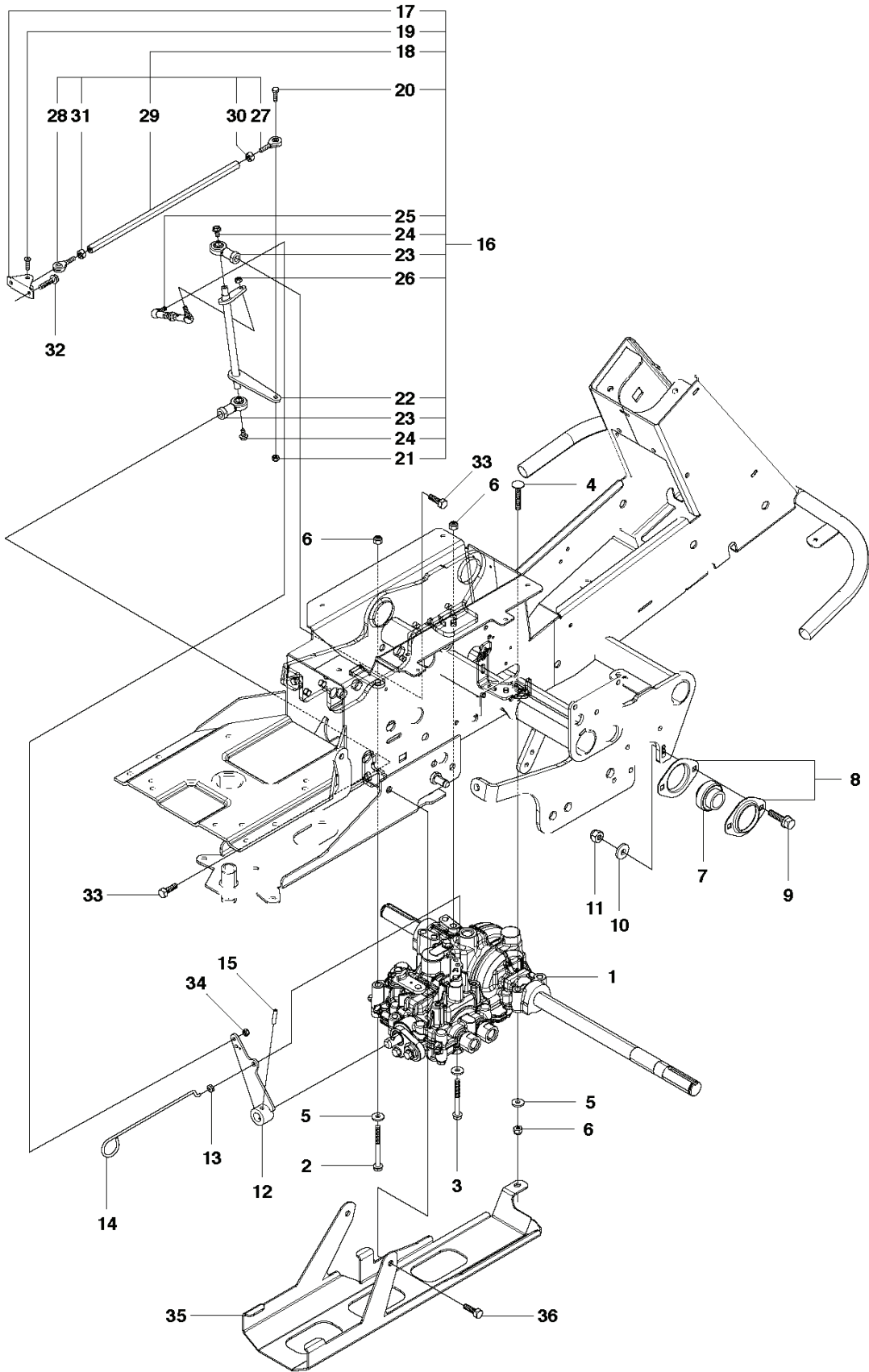
PR17, PR17 AWD  
SEAT



---

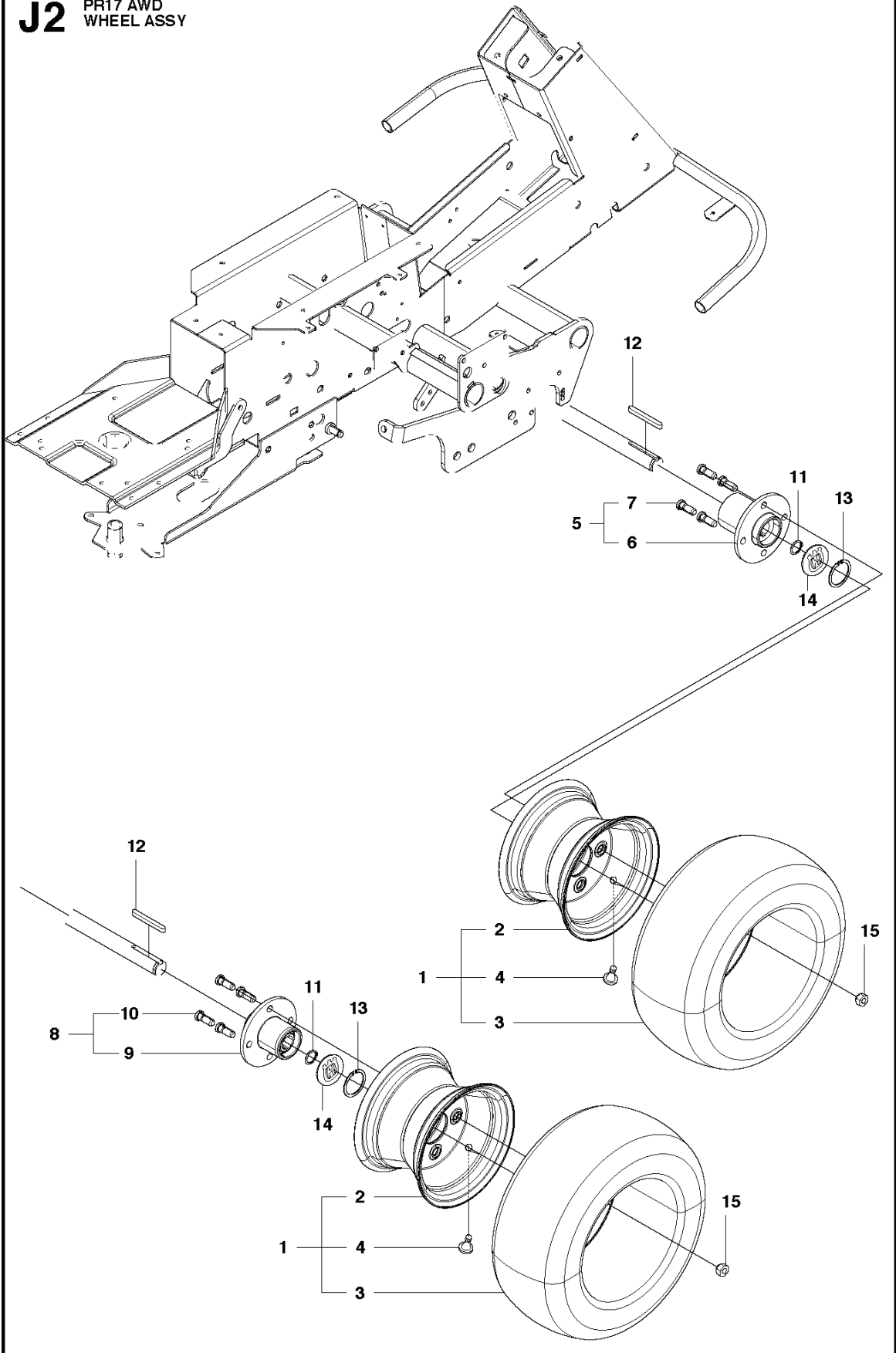
REF.	PART NO.	DESCRIPTION	REMARK	QTY.	KIT
1	535458501	SEAT ASSY		1	
2	732211801	LOCK NUT		4	
3	506565601	SÅTESBRYTARE KPL		1	
4	503218816	SCREW IHST		2	
5	529292401	DAMPING PIECE		2	

**N** PR17 AWD  
TRANSMISSION, FRONT



REF.	PART NO.	DESCRIPTION	REMARK	QTY.	KIT
1	574425301	TRANSMISSION		1	
2	725246751	SCREW EHHM		1	
3	725246451	SCREW EHHM		1	
4	535423803	SCREW RSQM		1	
5	734116401	WASHER		3	
6	732211801	LOCK NUT		3	
7	544008902	BEARING		1	
8	544009002	BEARING HOUSING		1	
9	506570105	SCREW EHHFM		2	
10	734116401	WASHER		2	
11	732211801	LOCK NUT		2	
12	544435201	LEVER		1	
13	503735801	BUSHING		1	
14	535499701	ARM		1	
15	721434701	SPRING PIN		1	
16	544841503	LINK ASSY		1	
17	535492802	BRACKET		1	16
18	544456703	ROD		1	16
19	544841701	SCREW		1	16
20	725237071	SCREW EHHM		1	16
21	732251601	HEXAGON LOCKING NUT		1	16
22	535497401	LEVER		1	16
23	506951701	ROD END		2	16
24	535475212	SCREW EHHFM		2	16
25	544441901	ADJUSTMENT ROD		1	16
26	732251601	HEXAGON LOCKING NUT		1	16
27	535486601	ROD END		1	18
28	535486602	ROD END		1	18
29	535486503	ROD		1	18
30	731231601	HEXAGON NUT		1	18
31	503221018	HEXAGON NUT		1	18
32	725236651	HEXAGONAL SCREW M6X12		2	
33	725249371	SCREW EHHM		2	
34	732211601	LOCK NUT		1	
35	544845601	SKID PLATE		1	
36	506570104	SCREW EHHFM		3	

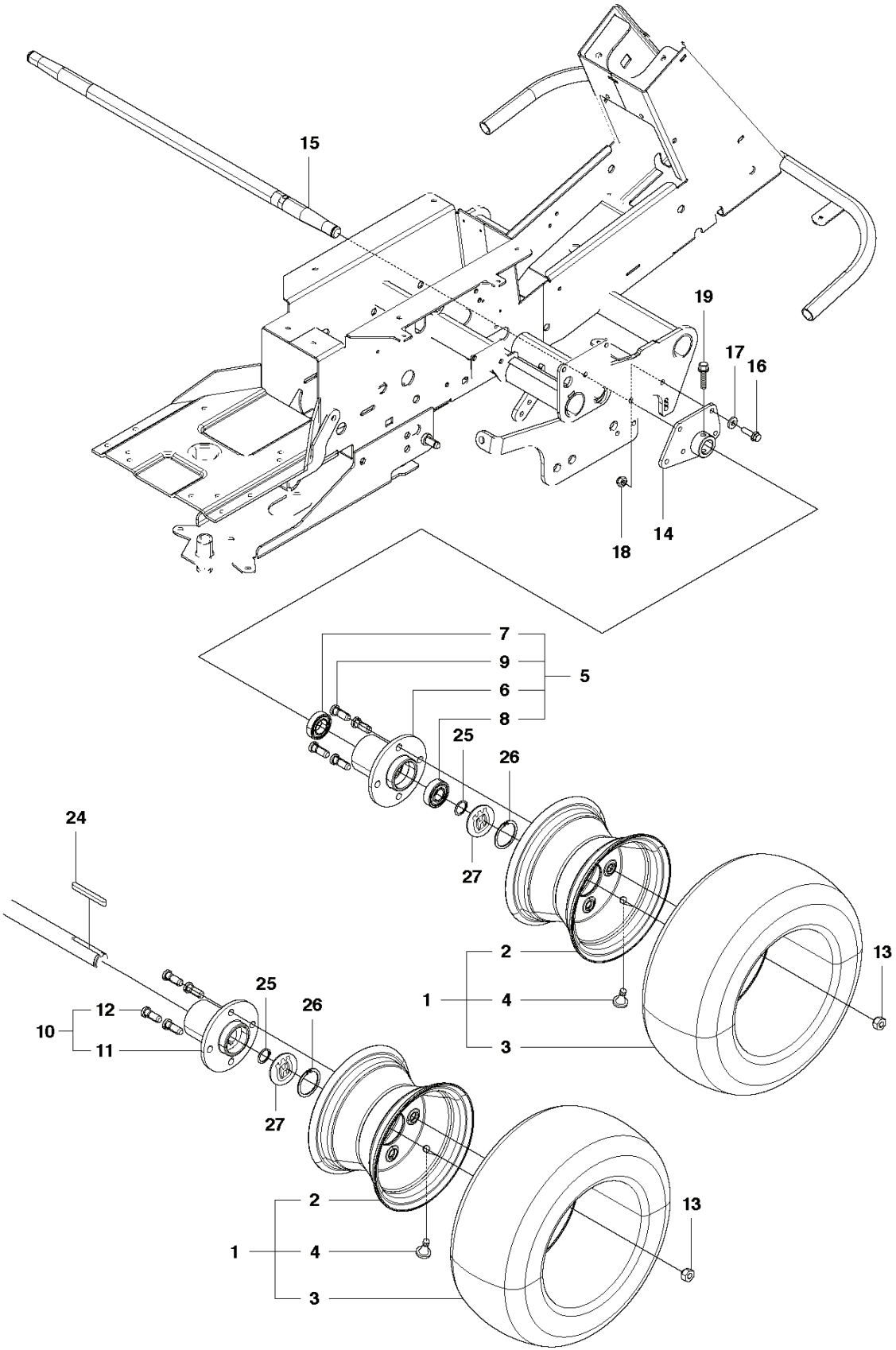
**J2** PR17 AWD  
WHEEL ASSY



---

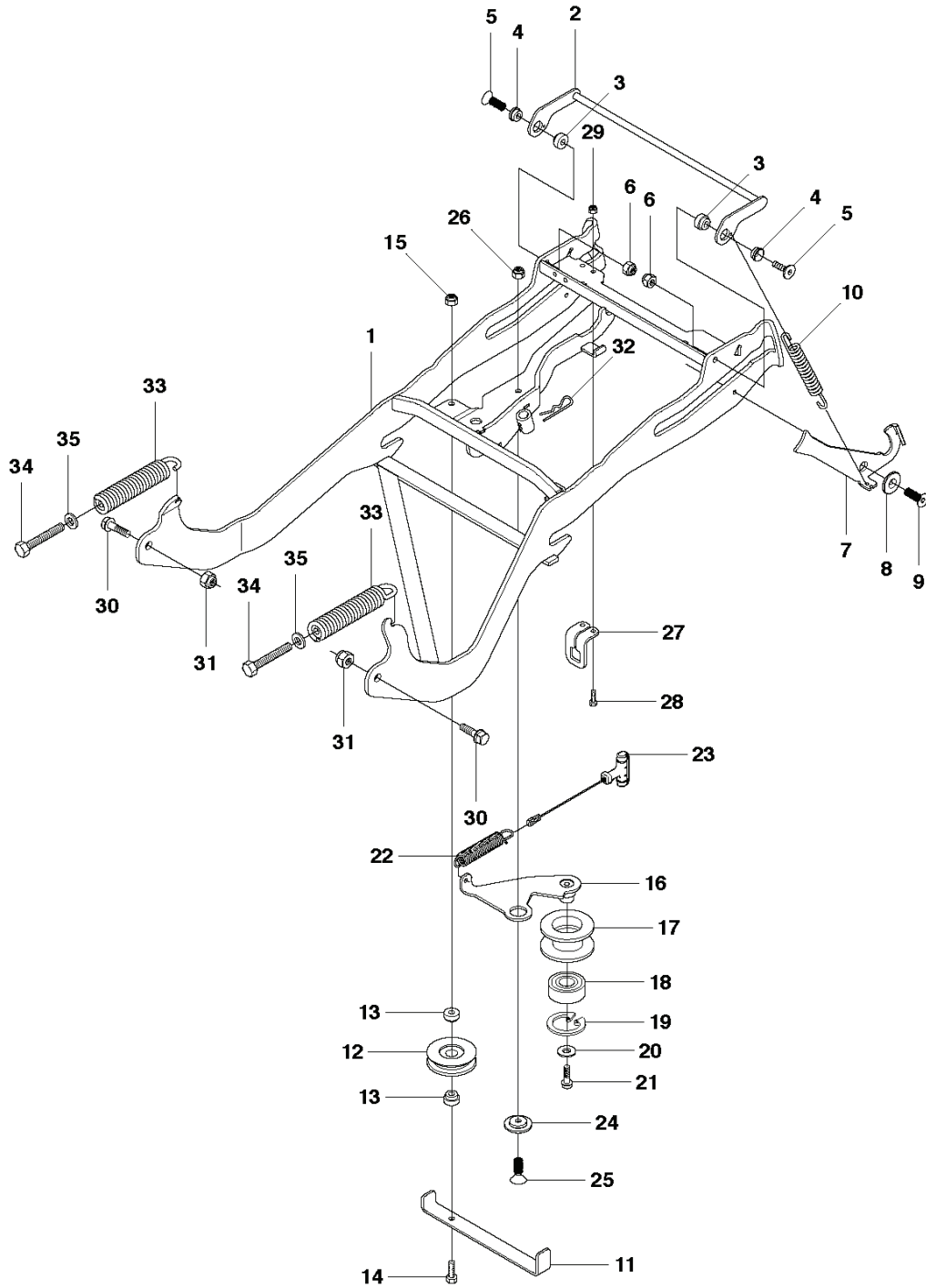
REF.	PART NO.	DESCRIPTION	REMARK	QTY.	KIT
1	504630001	WHEEL ASSY		4	
2	506867801	RIM		1	1
3	535460001	TYRE		1	1
4	523034701	VALVE		1	1
5	577573001	HUB ASSY		2	
6	506890001	HUB		1	5
7	506890201	BOLT		4	5
8	504638001	HUB ASSY		2	
9	504736201	SLEEVE		1	8
10	506890201	BOLT		4	8
11	574458801	CIRCLIP		4	
12	506555901	WEDGE		4	
13	735314110	CIRCLIP		4	
14	577591501	COVER WASHER		4	
15	506865001	WHEEL NUT		16	

**J1** PR17 WHEEL ASSY



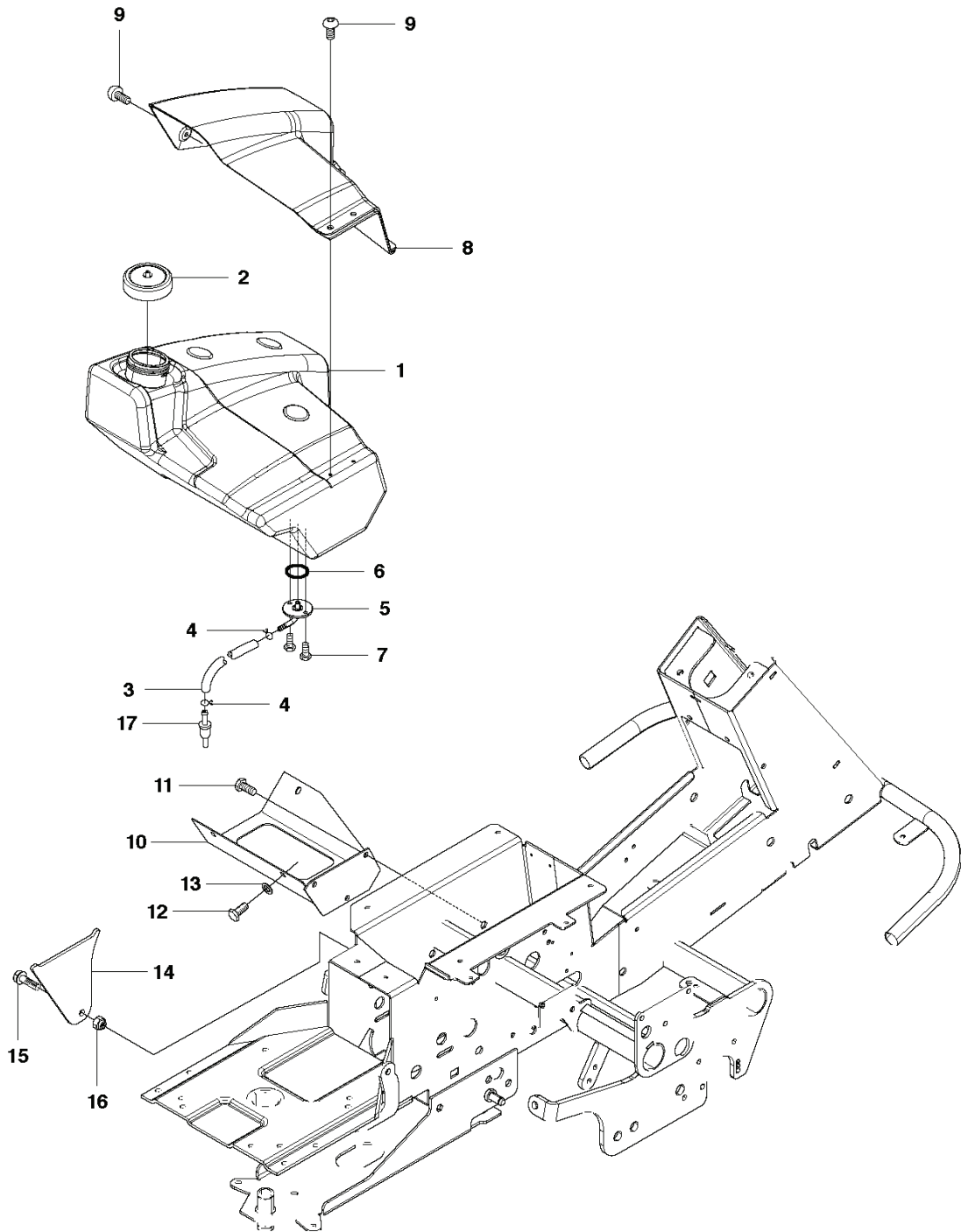
REF.	PART NO.	DESCRIPTION	REMARK	QTY.	KIT
1	504630001	WHEEL ASSY		4	
2	506867801	RIM		1	1
3	535460001	TYRE		1	1
4	523034701	VALVE		1	1
5	506864701	HUB ASSY		2	
6	506890101	HUB		1	5
7	738210504	BALL BEARING		1	5
8	738220419	BALL BEARING		1	5
9	506890201	BOLT		4	5
10	504638001	HUB ASSY		2	
11	504736201	SLEEVE		1	10
12	506890201	BOLT		4	10
13	506865001	WHEEL NUT		16	
14	504619801	BRACKET		2	
15	505453001	FRONT AXLE		1	
16	506570105	SCREW EHHFM		6	
17	734116401	WASHER		6	
18	732211801	LOCK NUT		6	
19	725245961	SCREW EHHFT		1	
24	506555901	WEDGE		2	
25	735312200	CIRCLIP		2	
26	735314110	CIRCLIP		4	
27	577591501	COVER WASHER		4	

PR17, PR17 AWD  
EQUIPMENT FRAME ASSY



REF.	PART NO.	DESCRIPTION	REMARK	QTY.	KIT
1	502637801	EQUIPMENT FRAME		1	
2	504557801	HOOK		1	
3	544003401	BUSHING		2	
4	506993302	SLEEVE		2	
5	725645901	SCREW IHCSFM		2	
6	732211801	LOCK NUT		2	
7	504558002	LEVER		1	
8	506918701	WASHER		1	
9	725644801	SCREW IHCSFM		1	
10	506535603	DRAW SPRING		1	
11	504621601	BELT GUIDE		1	
12	544004601	PULLEY ASSY		1	
13	544003401	BUSHING		2	
14	725246051	SCREW EHHM		1	
15	732211801	LOCK NUT		1	
16	504621901	BELT TENSIONER		1	
17	506928901	PULLEY		1	
18	738210404	BALL BEARING		1	
19	735313810	CIRCLIP		1	
20	734116441	WASHER		1	
21	506558302	SCREW EHHFT		1	
22	504622401	SPRING		1	
23	504622101	HANDLE ASSY		1	
24	505451701	WASHER		1	
25	725645301	SCREW IHCSFM		1	
26	732211801	LOCK NUT		1	
27	504621701	GUIDE		1	
28	725236871	SCREW EHHM		2	
29	732211601	LOCK NUT		2	
30	506895801	COLLAR SCREW		2	
31	732252201	HEXAGON LOCKING NUT		2	
32	506966601	HAIR PIN COTTER		1	
33	505418701	SPRING		2	
34	725251571	SCREW EHHM		2	
35	734117201	WASHER		2	

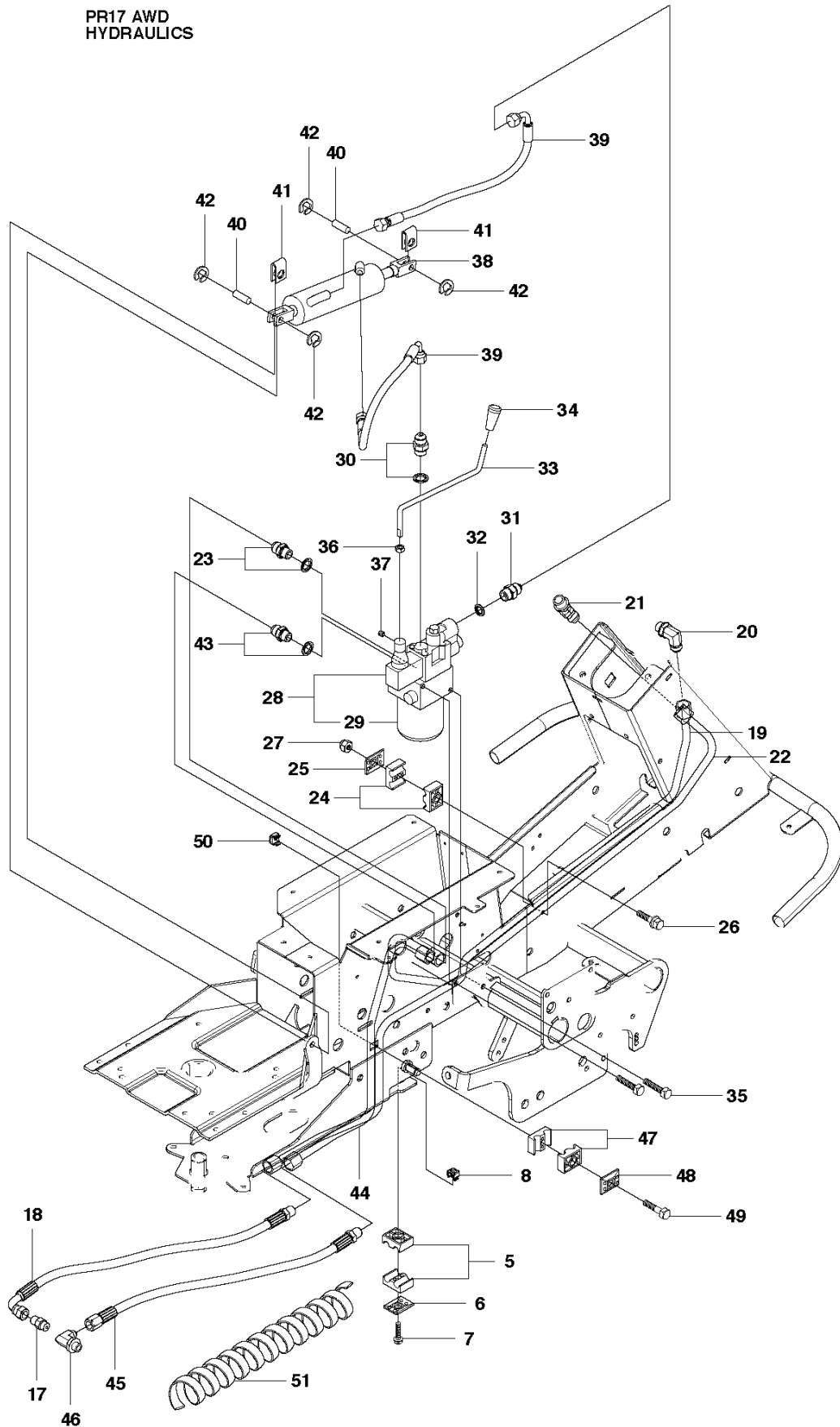
**B** PR17, PR17 AWD  
FUEL SYSTEM



---

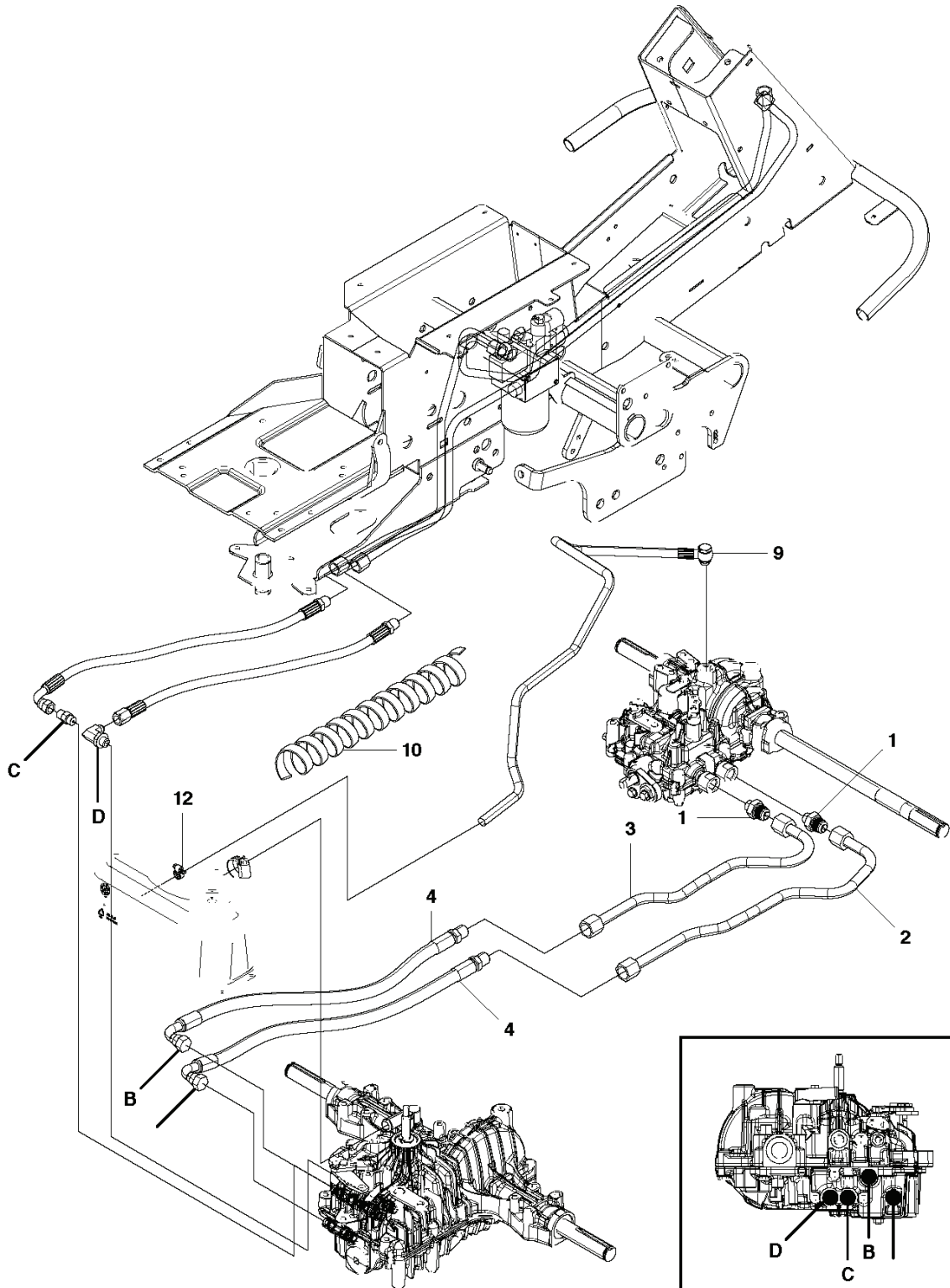
REF.	PART NO.	DESCRIPTION	REMARK	QTY.	KIT
1	535446101	FUEL TANK		1	
2	506673301	TANK CAP ASSY		1	
3	506946709	FUEL HOSE		1	
4	535469701	HOSE BRACE		2	
5	506891801	CONNECTION		1	
6	740481202	O-RING		1	
7	535415619	SCREW		2	
8	535446201	DESIGN COVER TANK		1	
9	535425801	SCREW IHANM		4	
10	535438601	BRACKET		1	
11	725245171	SCREW EHHM		3	
12	725236651	HEXAGONAL SCREW M6X12		3	
13	734115601	WASHER		3	
14	535438801	TANK SUPPORT		1	
15	725249571	SCREW EHHM		1	
16	732212001	LOCK NUT		1	
17	506791001	FUEL FILTER		1	

PR17 AWD  
HYDRAULICS



REF.	PART NO.	DESCRIPTION	REMARK	QTY.	KIT
5	544373302	PIPE CLAMP		1	
6	544373802	COVER PLATE		1	
7	506570107	SCREW EHHFM		1	
8	544811701	CAGE NUT		1	
17	535426501	PIPE FITTING		1	
18	535450301	HYDRAULIC HOSE		1	
19	504210301	HYDRAULIC PIPE		1	
20	535437301	PIPE FITTING		1	
21	535426901	PIPE FITTING		1	
22	504209901	HYDRAULIC PIPE		1	
23	535426801	PIPE FITTING		1	
24	544373303	PIPE CLAMP		1	
25	535438501	COVER WASHER		1	
26	535475245	SCREW EHHFM		1	
27	732211601	LOCK NUT		1	
28	522535601	FILTER UNIT		1	
29	535427502	FILTER		1	
30	535437001	PIPE FITTING		1	
31	535437101	PIPE FITTING		1	
32	535437201	WASHER		1	
33	505440001	LIFTING LEVER		1	
34	535438201	KNOB		1	
35	725244971	SCREW EHHM		2	
36	731231801	HEXAGON NUT		1	
37	728844305	SCREW IHSETM		1	
38	535427201	CYLINDER ASSY		1	
39	535427103	HYDRAULIC HOSE		2	
40	535437601	LOCKING PIN		2	
41	535456601	U-PLÁT		2	
42	735311200	CIRCLIP		4	
43	535426801	PIPE FITTING		1	
44	504210401	HYDRAULIC PIPE		1	
45	535450402	HYDRAULIC HOSE		1	
46	535426601	PIPE FITTING		1	
47	544373303	PIPE CLAMP		1	
48	535438501	COVER WASHER		1	
49	535475245	SCREW EHHFM		1	
50	544811702	CAGE NUT		1	
51	544026603	HOSE GUARD		1	

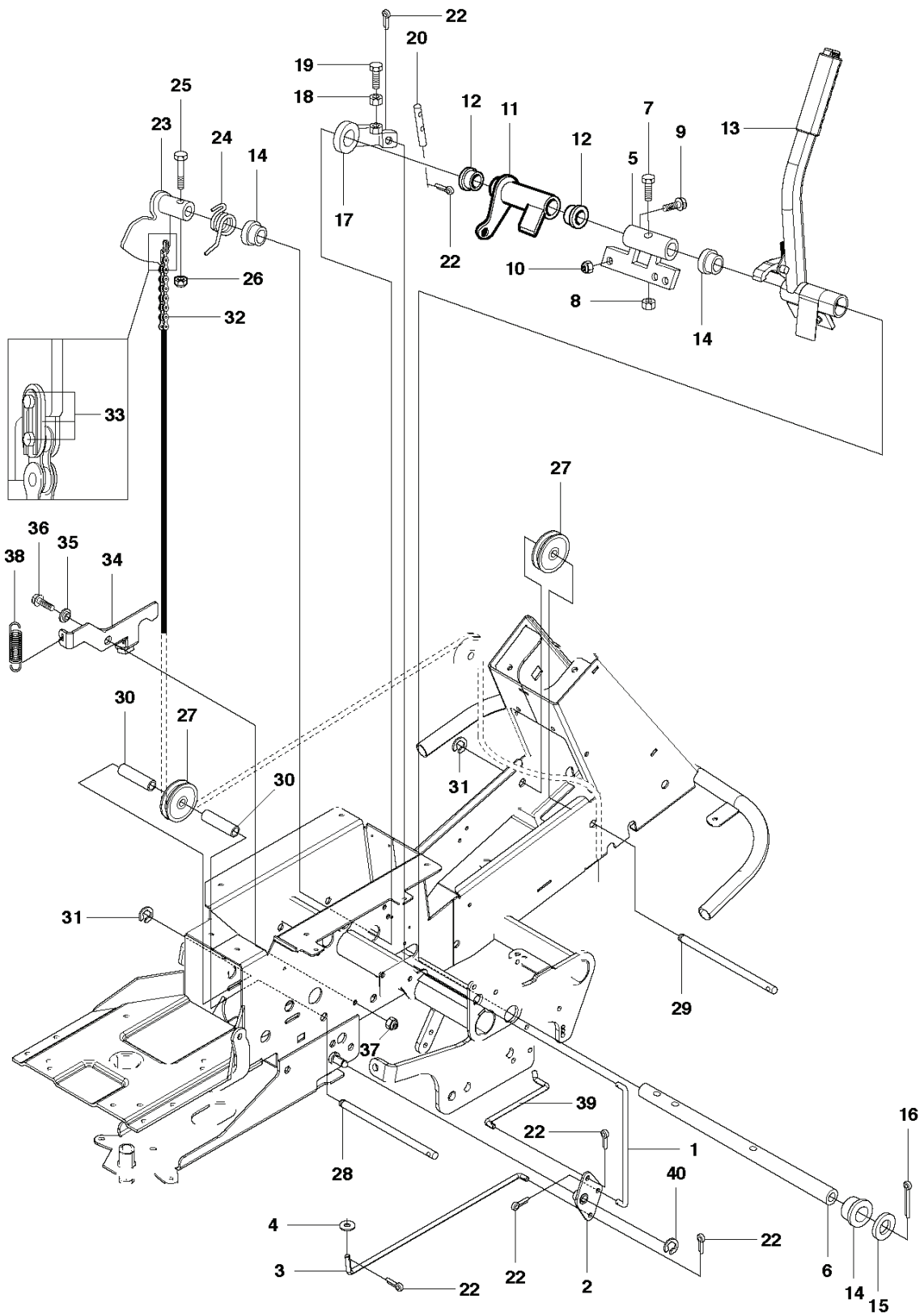
PR17 AWD  
HYDRAULICS



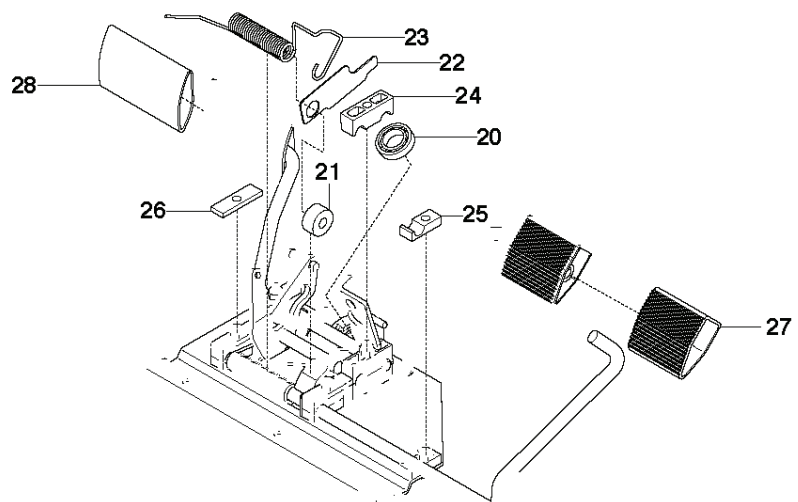
---

REF.	PART NO.	DESCRIPTION	REMARK	QTY.	KIT
1	535426507	PIPE FITTING		2	
2	544833301	HYDRAULIC PIPE		1	
3	544833401	HYDRAULIC PIPE		1	
4	544456401	HYDRAULIC HOSE		2	
9	574531102	HYDRAULIC HOSE		1	
10	544026607	HOSE GUARD		1	
12	505131101	HOSE CLAMP		1	

PR17, PR17 AWD  
LIFTING SYSTEM



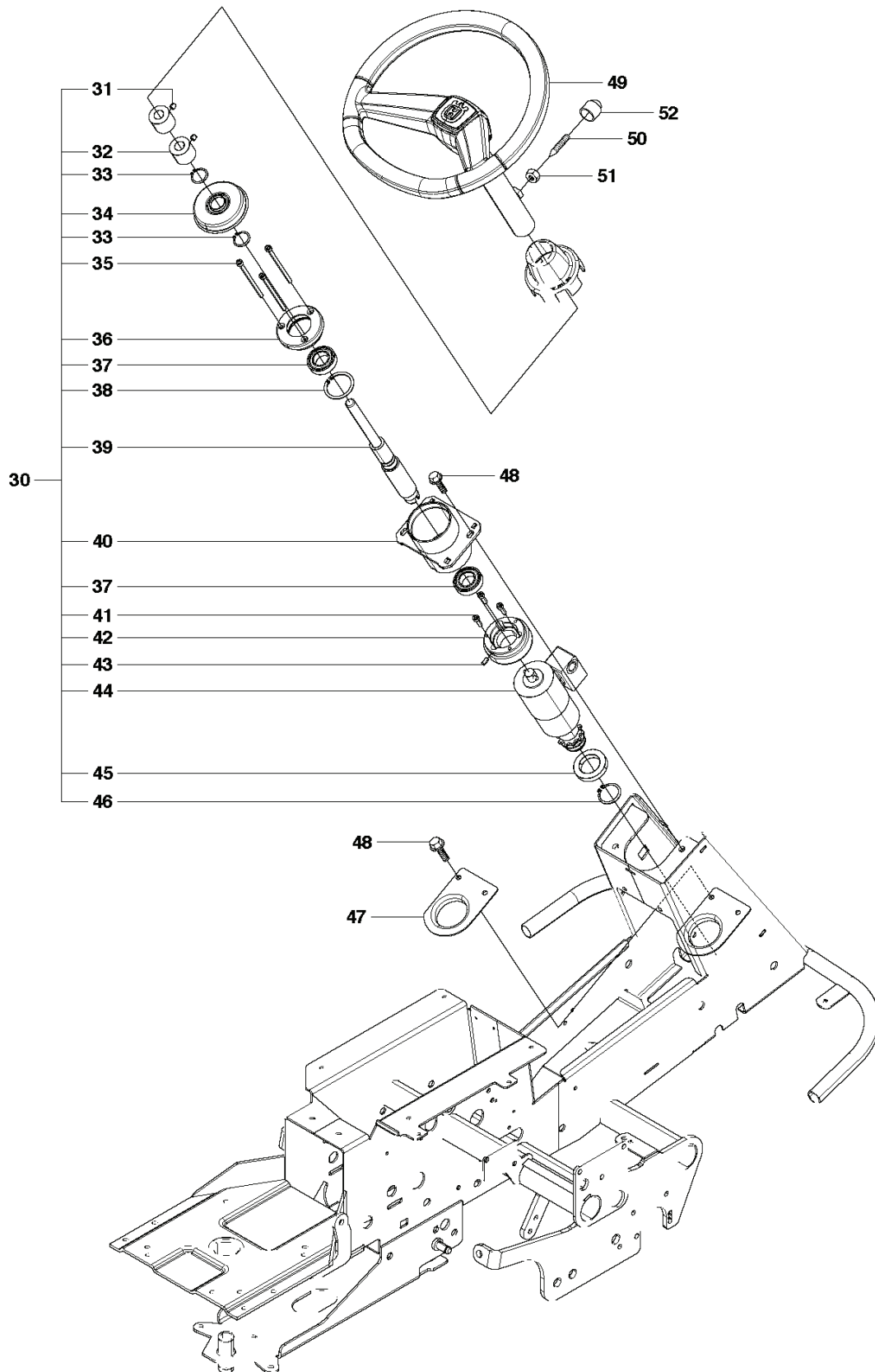
REF.	PART NO.	DESCRIPTION	REMARK	QTY.	KIT
1	506665901	CLUTCH ROD FRONT		1	
2	504636701	LINK		1	
3	535444703	CLUTCH ROD REAR		1	
4	734116441	WASHER		1	
5	506951101	DRIVER ASSY		1	
6	506968001	SHAFT		1	
7	725254451	SCREW EHHM		1	
8	732252201	HEXAGON LOCKING NUT		1	
9	725245351	SCREW EHHM		2	
10	731231801	HEXAGON NUT		2	
11	506951401	ACTUATOR		1	
12	506556501	BEARING		2	
13	504907901	LIFTING LEVER ASSY		1	
14	506556501	BEARING		3	
15	506515701	WASHER		1	
16	721620101	SPLIT PIN		1	
17	506784301	LINK ASSY		1	
18	731232051	HEXAGON NUT		1	
19	725249751	SCREW		1	
20	525406601	PEN		1	
22	721618301	SPLIT PIN		6	
23	506940501	LIFTING ARM		1	
24	506817001	SPRING		1	
25	725254471	SCREW EHHM		1	
26	732252201	HEXAGON LOCKING NUT		1	
27	506905601	OFFSET PULLEY		2	
28	506905701	SHAFT		1	
29	506905702	SHAFT		1	
30	506905801	TUBE SLEEVE		2	
31	735311820	E-CLIP		2	
32	506554608	CHAIN		1	
33	506554701	LINKAGE		1	
34	504628702	BRAKE LEVER		1	
35	506918702	WASHER		1	
36	506570105	SCREW EHHFM		1	
37	732211801	LOCK NUT		1	
38	506542501	SPRING		1	
39	504636801	ROD		1	
40	735311420	E-CLIP		1	



---

REF.	PART NO.	DESCRIPTION	REMARK	QTY.	KIT
20	738210204	BALL BEARING		1	1
21	535480201	ROLLER		1	1
22	535480601	PROTECTIVE PLATE		1	1
23	535480701	SPRING		1	1
24	535480801	BEARING SUPPORT		4	1
25	535480901	BEARING SUPPORT		5	1
26	535481001	REINFORCEMENT PLATE		3	1
27	535478801	PEDAL		1	1
28	535478802	PEDAL		1	1

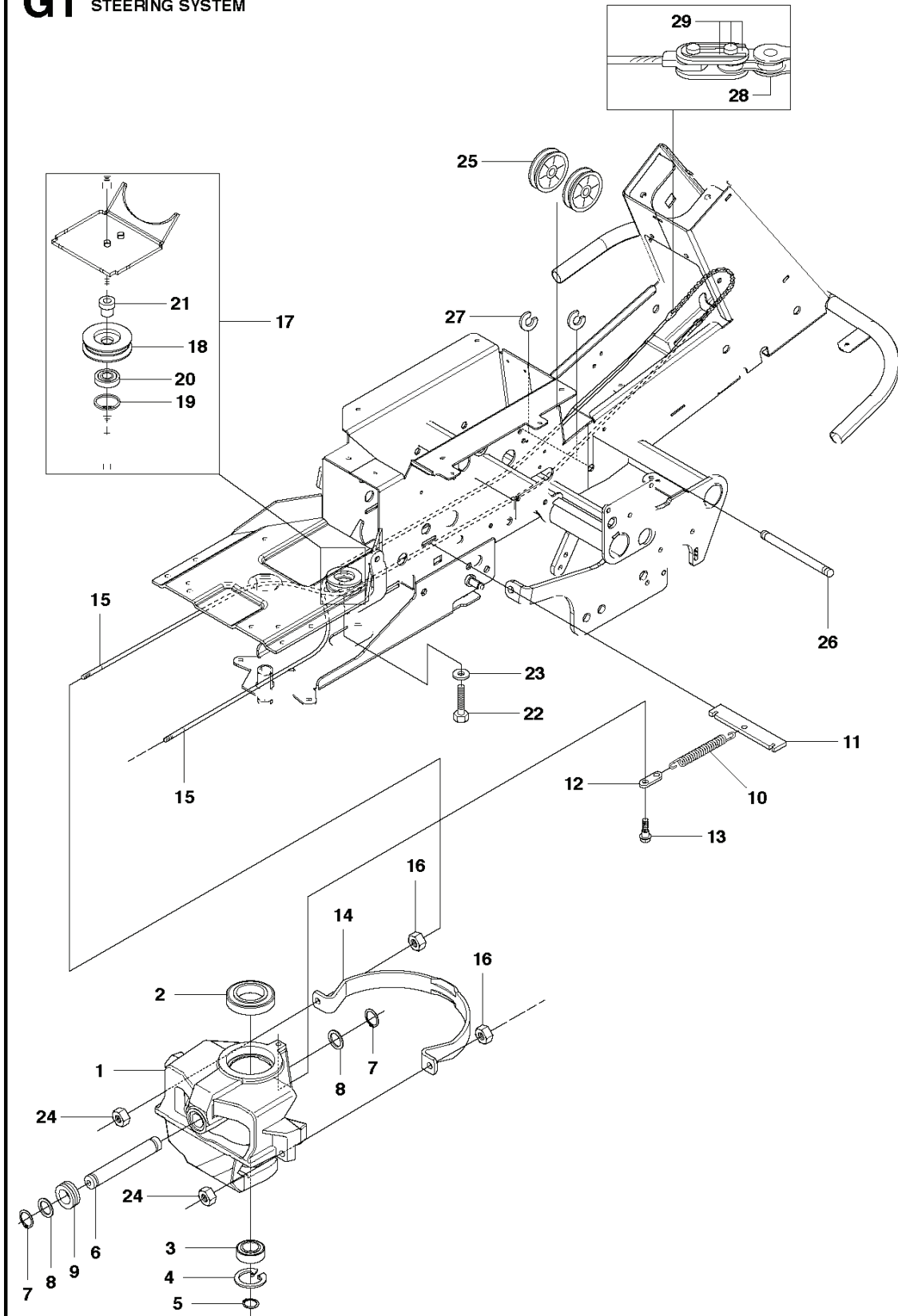
PR17, PR17 AWD  
STEERING SYSTEM



---

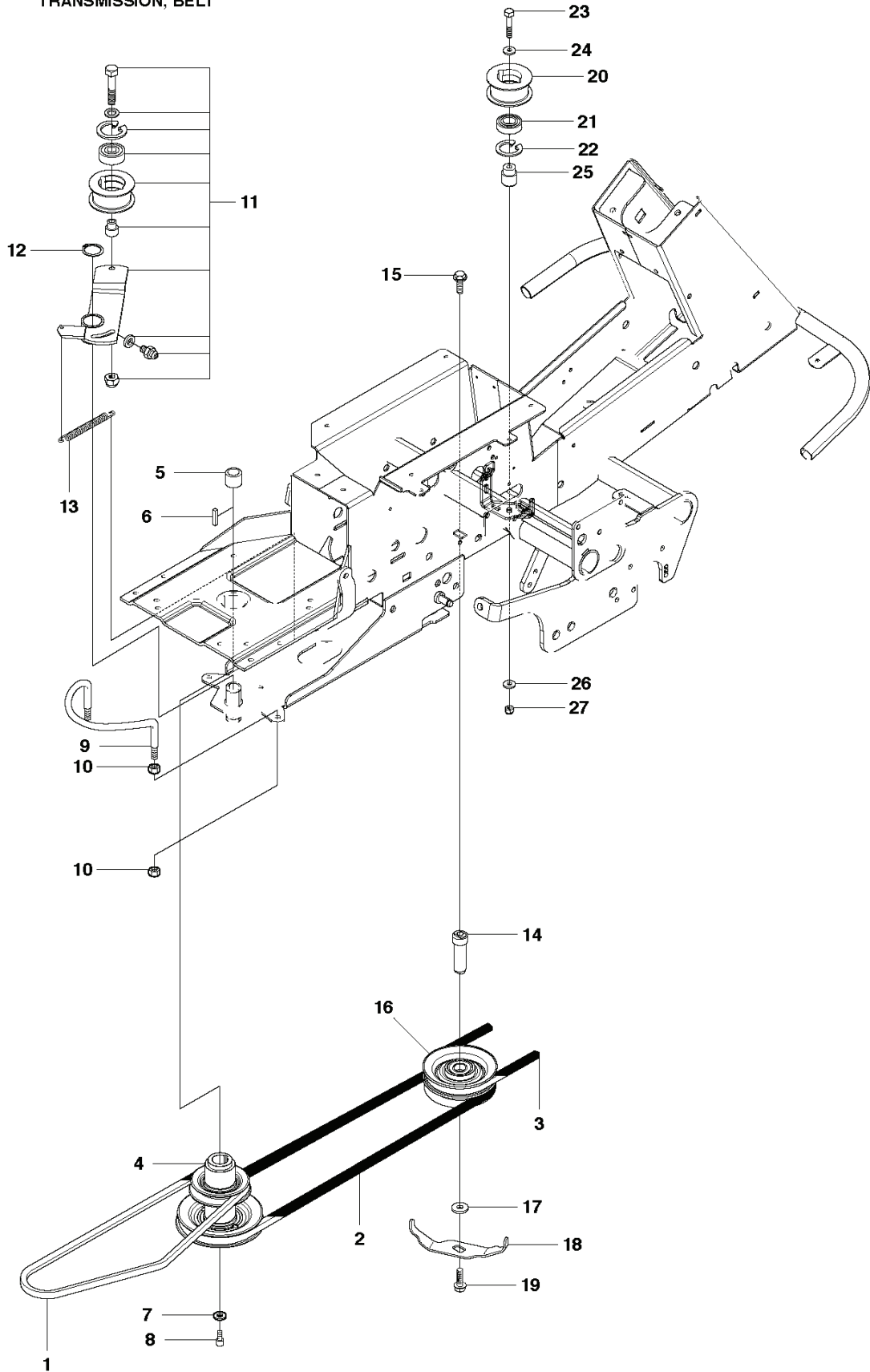
REF.	PART NO.	DESCRIPTION	REMARK	QTY.	KIT
30	502636001	COMFORT STEERING		1	
31	728844305	SCREW IHSETM		2	30
32	506863401	DRIVER		2	30
33	735312600	CIRCLIP		2	30
34	535423701	BELLOWS		1	30
35	535432801	SCREW IHSCM		3	30
36	535423601	BEARING HOUSING		1	30
37	738210504	BALL BEARING		2	30
38	735314010	CIRCLIP		1	30
39	535421901	STEERING ROD		1	30
40	502296201	REINFORCING TUBE		1	30
41	725537001	SCREW IHSCM		3	30
42	535423501	BEARING HOUSING		1	30
43	721433501	SPRING PIN		1	30
44	535457102	COMFORT STEERING		1	30
45	535427801	BALL BEARING		1	30
46	735313300	CIRCLIP		1	30
47	504538201	BEARING CAGE		1	
48	506570104	SCREW EHHFM		4	
49	544375201	STEERING WHEEL		1	
50	728745505	SCREW IHSETM		1	
51	731231801	HEXAGON NUT		1	
52	544433201	PROTECTIVE COVER		1	

# G1 PR17, PR17 AWD STEERING SYSTEM



REF.	PART NO.	DESCRIPTION	REMARK	QTY.	KIT
1	506934702	SPINDLE		1	
2	738211004	BALL BEARING		1	
3	738210504	BALL BEARING		1	
4	735314010	CIRCLIP		1	
5	735312600	CIRCLIP		1	
6	535463001	SWING AXLE		1	
7	735312600	CIRCLIP		2	
8	506773401	WASHER		2	
9	740681421	V-RING		1	
10	506671901	SPRING		1	
11	506576301	SPRING RETAINER		1	
12	506670801	LINK		1	
13	506597401	SCREW EHHFM		1	
14	544427301	WIRE GUIDE		1	
15	506589104	WIRE ASSY		2	
16	731232051	HEXAGON NUT		2	
17	506500903	BARRING WHEEL		1	
18	535424101	BARRING WHEEL		1	17
19	735314010	CIRCLIP		1	17
20	738220419	BALL BEARING		1	17
21	506500802	BUSHING		1	17
22	725250051	SCREW EHHM		1	
23	734117441	WASHER		1	
24	732212051	NUT		2	
25	506522401	STARTER PULLEY		2	
26	506539403	SHAFT		1	
27	735311420	E-CLIP		2	
28	506554601	CHAIN		1	
29	506554701	LINKAGE		2	

PR17, PR17 AWD  
TRANSMISSION, BELT



REF.	PART NO.	DESCRIPTION	REMARK	QTY.	KIT
1	506991901	DRIVE BELT		1	
2	589533501	BELT		1	
3	589531901	BELT		1	
4	535482401	PULLEY		1	
5	506509201	SPACING SLEEVE		1	
6	506555901	WEDGE		1	
7	506597501	WASHER		1	
8	506556002	SCREW UNC		1	
9	506664501	BELT GUIDE		1	
10	731232051	HEXAGON NUT		4	
11	535484402	BELT TENSIONER ASSY		1	
12	735312600	CIRCLIP		1	
13	506665601	SPRING		1	
14	544426102	SHAFT		1	
15	506675402	SCREW EHHFM		1	
16	535482201	PULLEY		1	
17	506775701	WASHER		1	
18	544405301	BELT GUIDE		1	
19	506570105	SCREW EHHFM		1	
20	506928901	PULLEY		1	
21	738210404	BALL BEARING		1	
22	735313810	CIRCLIP		1	
23	725246151	SCREW EHHM		1	
24	734116441	WASHER		1	
25	544002901	BUSHING		1	
26	734116401	WASHER		1	
27	732211801	LOCK NUT		1	