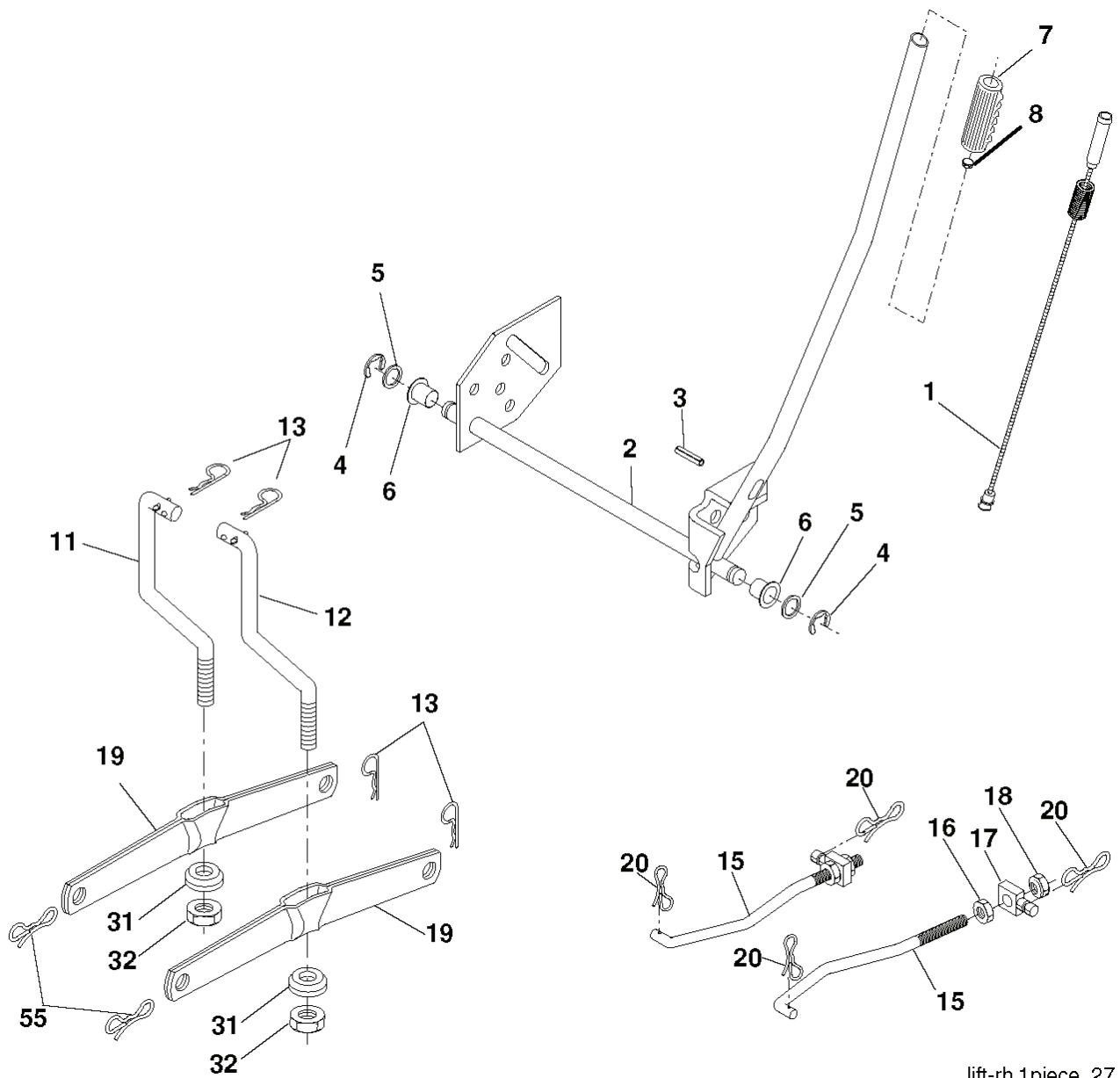


LT131, 96011026503, 2010-02

---

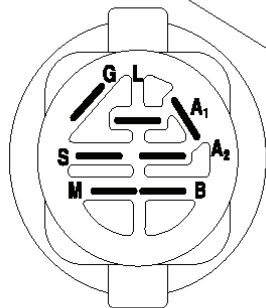
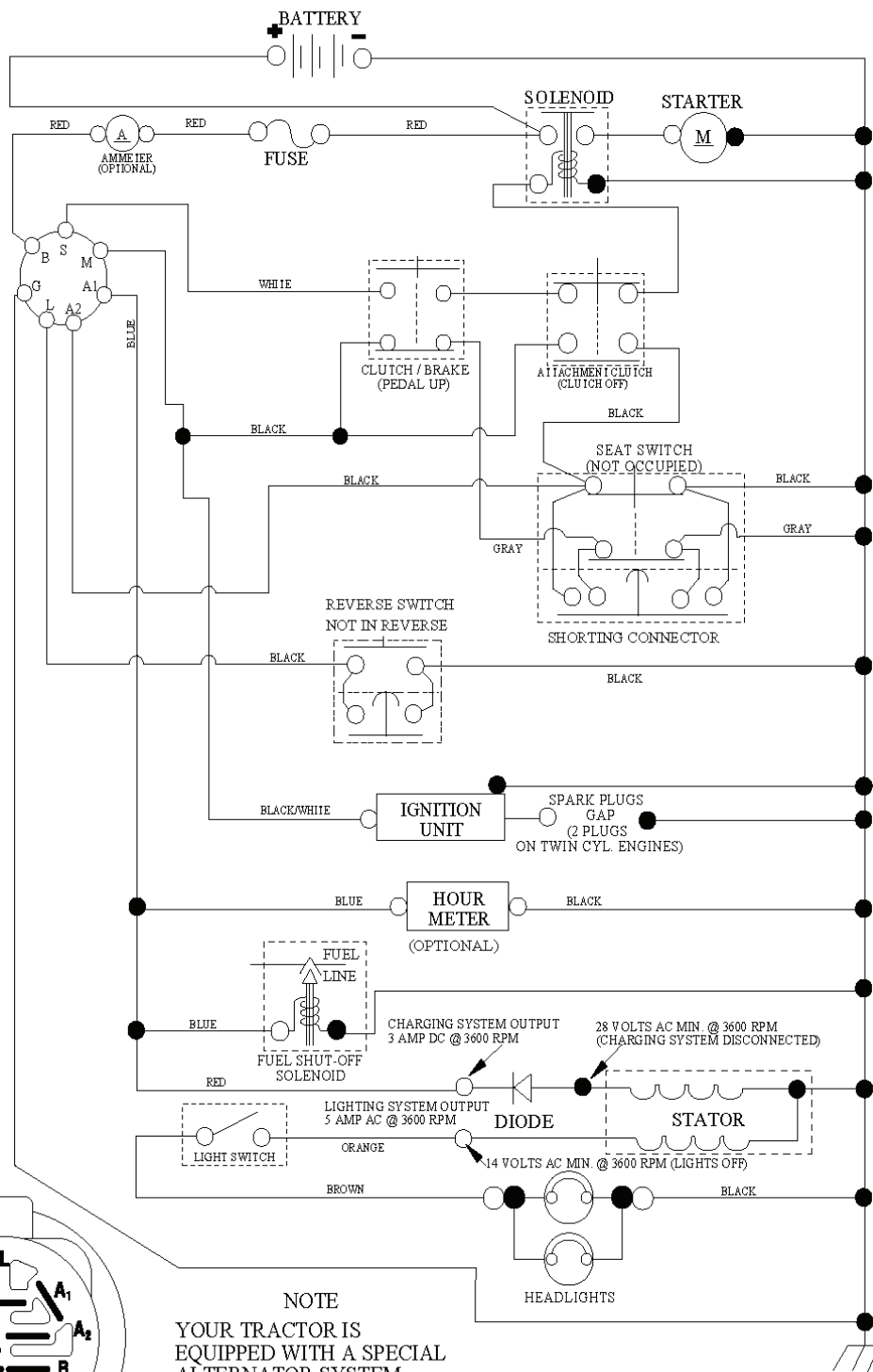
# **SPARE PARTS LIST**



lift-rh.1piece\_27

---

REF.	PART NO.	DESCRIPTION	REMARK	QTY.	KIT
1	532404981	PLUNGE		1	
2	532159471	LEVER		1	
3	532105767	PIN RETAINING SCREW		1	
4	812000002	RETAINER RING		1	
5	819211621	WASHER		1	
6	532120183	BEARING		1	
7	532109413	GRIP		1	
8	532124526	KNOB		1	
11	532139865	LINK		1	
12	532139866	LINK		1	
13	532124670	RETAINER RING		1	
15	532173288	LINK		1	
16	873350800	NUT		1	
17	532175689	BRACKET		1	
18	873800800	NUT		1	
19	532139868	LEVER		1	
20	532194209	SPRING		1	
31	532169865	BEARING		1	
32	873540600	NUT		1	
55	532194208	PIN		1	



IGNITION SWITCH

POSITION	CIRCUIT	"MAKE"
OFF	M+G+A1	
RUN/OVERRIDE	B+A1	
RUN	B+A1	L+A2
START	B + S + A1	

**NOTE**

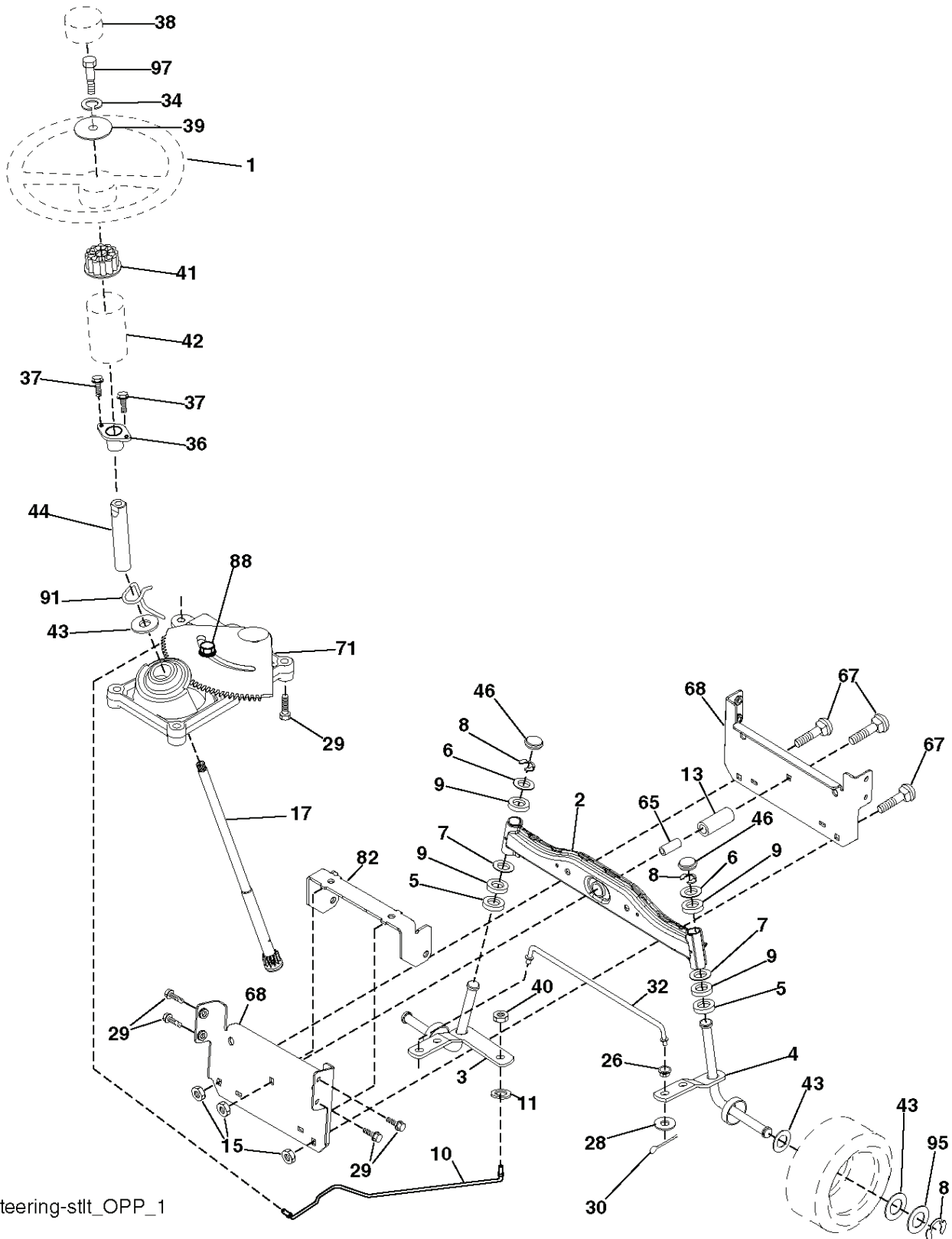
YOUR TRACTOR IS EQUIPPED WITH A SPECIAL ALTERNATOR SYSTEM. THE LIGHTS ARE NOT CONNECTED TO THE BATTERY, BUT HAVE THEIR OWN ELECTRICAL SOURCE. BECAUSE OF THIS, THE BRIGHTNESS OF THE LIGHTS WILL CHANGE WITH ENGINE SPEED. AT IDLE THE LIGHTS WILL DIM. AS THE ENGINE IS SPEEDED UP, THE LIGHTS WILL BECOME THEIR BRIGHTEST.

● NON-REMOVABLE CONNECTIONS

○ REMOVABLE CONNECTIONS

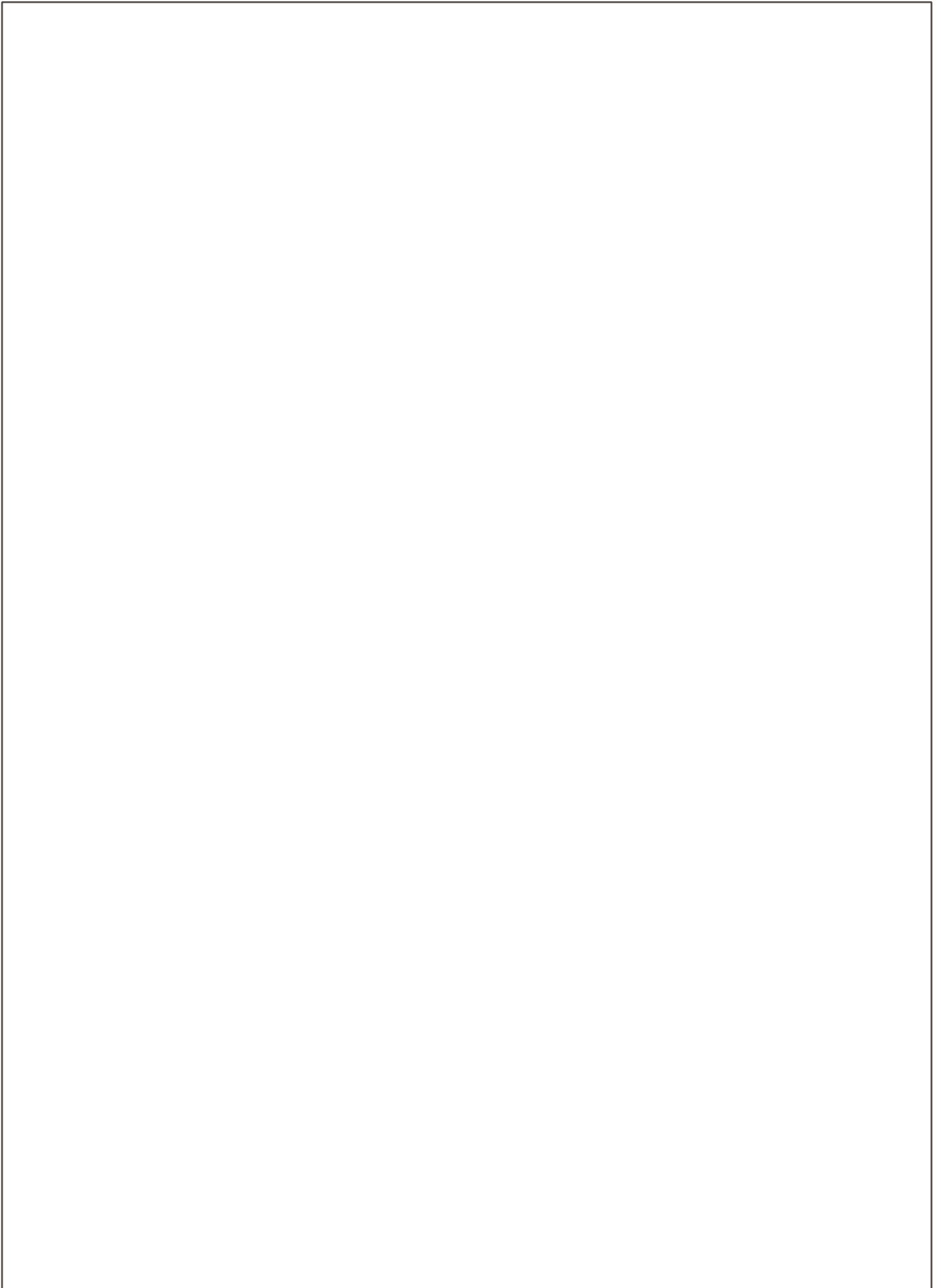
WIRING INSULATED CLIPS  
NOTE: IF WIRING INSULATED CLIPS WERE REMOVED FOR SERVICING OF UNIT, THEY SHOULD BE RE-INSTALLED TO PROPERLY SECURE YOUR WIRING.





Steering-stlt OPP\_1

REF.	PART NO.	DESCRIPTION	REMARK	QTY.	KIT
1	532186780	STEERING WHEEL		1	
2	532418168	AXLE		1	
3	532169840	SPINDLE		1	
4	532169839	SPINDLE		1	
5	532124931	WASHER		1	
6	532121748	WASHER		1	
7	819272016	WASHER		1	
8	812000029	RETAINER RING		1	
9	532124937	BEARING COL. STRG.		1	
10	532175121	ROD		1	
11	810040600	WASHER		1	
13	532136518	PIPE		1	
15	873900600	NUT		1	
17	532190753	ROD		1	
26	532126847	BUSHING		1	
28	819131416	WASHER		1	
29	817000612	SCREW		1	
30	876020412	SPLIT PIN		1	
32	532192757	TIGE D'ASSEMBLAGE		1	
34	810040500	WASHER		1	
36	532155099	BUSHING		1	
37	532152927	SCREW		1	
38	532192916	INSERT DE VOLANT		1	
39	819113812	WASHER		1	
40	873540600	NUT		1	
41	532186737	ADAPTER		1	
42	532169633	SLEEVE		1	
43	532121749	WASHER		1	
44	532190752	SHAFT		1	
46	532121232	HUB CAP		1	
65	532414736	SPACER		1	
67	872110618	BOLT		1	
68	532169827	SHAFT		1	
71	532175146	STEERING GEAR		1	
82	532199978	SUPPORT ESSIEU AVANT		1	
88	532175118	BOLT		1	
91	532175553	SPRING		1	
95	532188967	WASHER		1	
97	532428982	BOLT		1	



---

REF.	PART NO.	DESCRIPTION	REMARK	QTY.	KIT
1	532059192	CAP VALVE		1	
2	532065139	NIPPLE		1	
3	532124157	TIRE	Front 15 x 6.0-6	1	
4	532059904	HOSE	Front (Service Item Only)	1	
5	532138336	RIM	Front 6"	1	
6	532124957	FITTING	(Front Wheel Only)	1	
7	532124959	BEARING	(Front Wheel Only)	1	
8	532138337	RIM SPROCKET	Rear 8"	1	
9	532123969	TIRE	Rear 18 x 9.5-8 C	1	
10	532124926	HOSE	Rear (Service Item Only)	1	
11	532175039	HUB CAP		1	

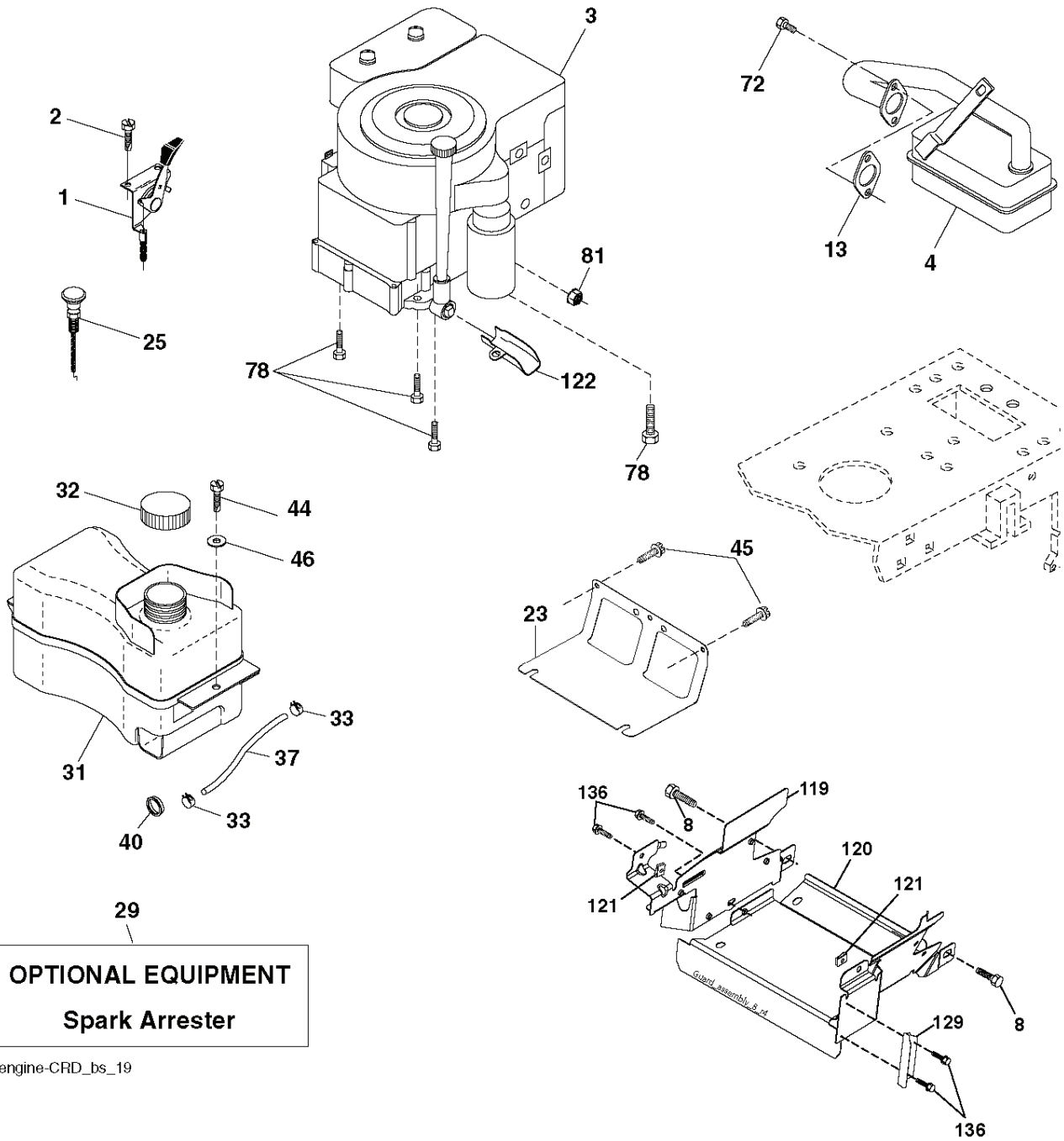


REF.	PART NO.	DESCRIPTION	REMARK	QTY.	KIT
1	532192556	DECK SHELL		1	
2	872140506	BOLT		1	
3	532138017	BRACKE		1	
4	532192568	SUPPORT CARTER ARRIERE		1	
5	532124670	RETAINER RING		1	
6	532178024	LEVER		1	
7	873800500	LOCK NUT		1	
8	532193003	SCREW		1	
11	532193957	RIDE ON BLADE		1	
13	532192872	SHAFT ASSY		1	
14	532187281	BEARING HOUSING		1	
15	532110485	BEARING		1	
18	872140505	BOLT		1	
19	532132827	SPEC. BOLT		1	
20	532400095	BAFFLE		1	
21	873680500	NUT		1	
23	532192557	HINGE		1	
24	532105304	HUB CAP		1	
25	532197026	TORSION SPRING		1	
26	532110452	NUT		1	
27	532401618	DEFLECTOR		1	
29	532131491	SHAFT		1	
30	532173984	SCREW		1	
31	532187690	WASHER		1	
32	532153532	PULLEY		1	
33	532400234	NUT		1	
36	532131494	PULLEY		1	
37	532193198	PULLEY		1	
40	873680600	NUT		1	
45	532124788	RETAINER RING		1	
55	532133840	LEVER		1	
56	532165723	SPACER		1	
67	532106932	KNOB		1	
68	532193214	BELT		1	
72	532193216	RESSORT RETOUR FREIN DE LAME		1	
89	819131311	WASHER		1	
107	532133502	SPACER		1	
108	532133503	LEVER		1	
122	532410189	ROD		1	
123	532410190	ROD		1	
144	532193414	BELT GUIDE		1	
148	532169022	SPRING		1	
149	532165898	SPRING		1	
150	819091210	WASHER		1	
152	532193235	CABLE		1	
158	817720408	SCREW		1	
185	532188234	CABLE		1	
186	817490644	SCREW		1	
187	532193412	BELT GUIDE		1	
188	532165891	BOLT		1	
189	532192559	SUPPORT BRAS DE FREIN		1	
190	532192560	ARM		1	
191	532192561	SPACER		1	
193	532193413	BELT GUIDE		1	
194	532194105	GARDE DE FREIN DE LAME		1	
195	819133210	WASHER		1	
205	817490416	SCREW		1	
206	819091416	WASHER		1	
208	817670608	SCREW		1	
214	532193782	BOLT		1	
251	532436087	ELASTIC STRAP		1	
310	532432356	COVER		1	
311	532432357	COVER		1	
312	532432359	SHIELD		1	
313	532432358	SHIELD		1	
314	532432355	SHIELD		1	
--	532192558	FREIN DE LAME CPT.	Brake Assembly (Includes Stand, Arm and Guard Components)	1	
--	532192870	SPINDLE	Mandrel Assembly (Includes housing, shaft assembly, and bearing only - pulley/nut/washer and blade bolt/washers not included)	1	
--	532431841	CUTTING DECK		1	



---

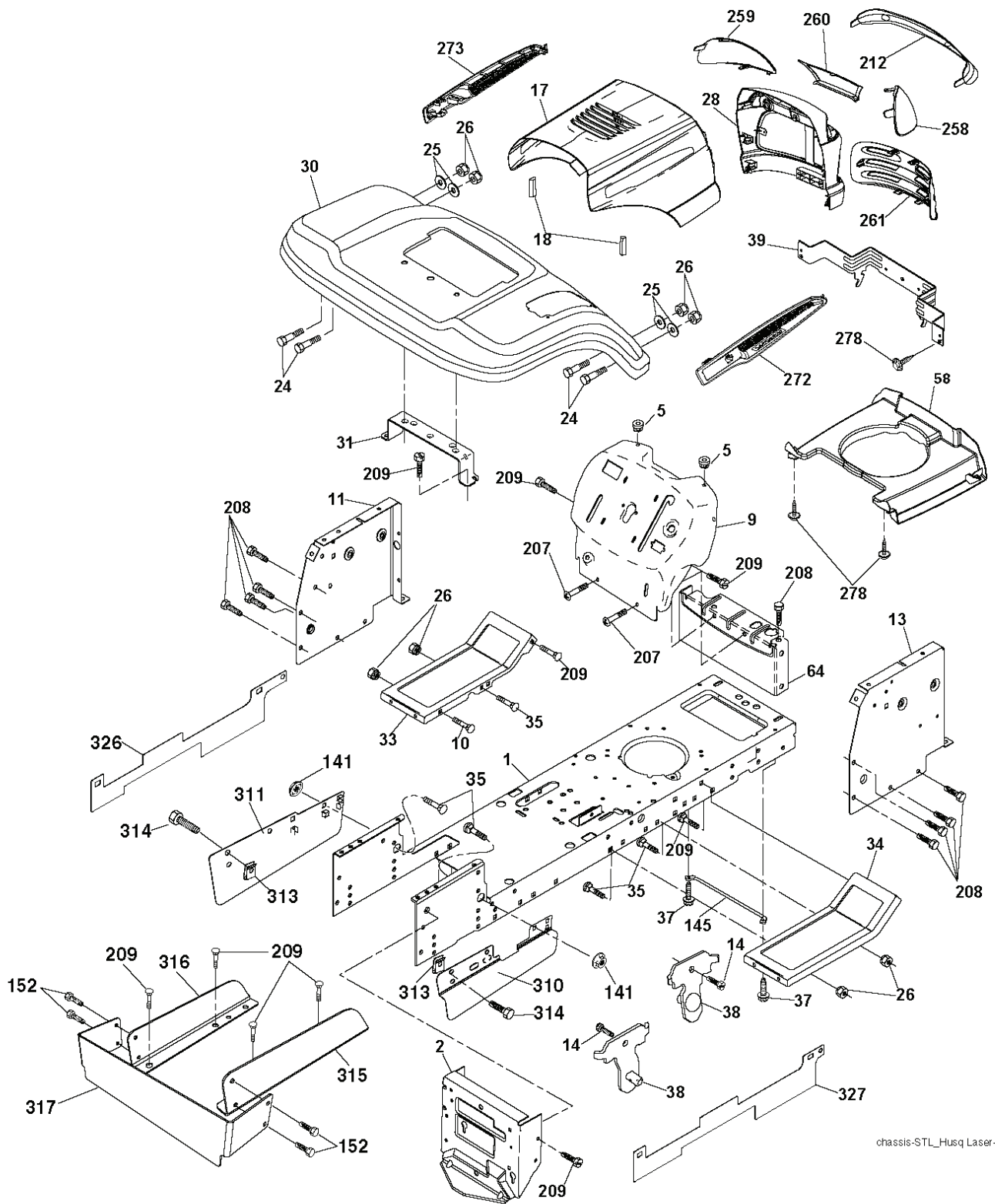
REF.	PART NO.	DESCRIPTION	REMARK	QTY.	KIT
1	532401042	SIEGE CONDUCTEUR		1	
2	532140551	BRACKET		1	
3	871110616	SCREW		1	
4	819131610	WASHER		1	
5	532145006	CLIP		1	
6	873800600	NUT		1	
7	532124181	SPRING		1	
8	817000616	SCREW		1	
9	819131614	WASHER		1	
10	532195530	BERCEAU DE SIEGE CONDUCTEUR		1	
12	532174648	BRACKET		1	
13	532121248	BUSHING		1	
14	872050412	BOLT		1	
15	532134300	SPACER		1	
16	532121250	SPRING		1	
17	532123976	LOCKNUT		1	
21	532171852	BOLT		1	
22	873800500	LOCK NUT		1	
23	871110814	BOLT		1	
24	819171912	WASHER		1	
25	532127018	BOLT		1	
26	810040800	WASHER		1	



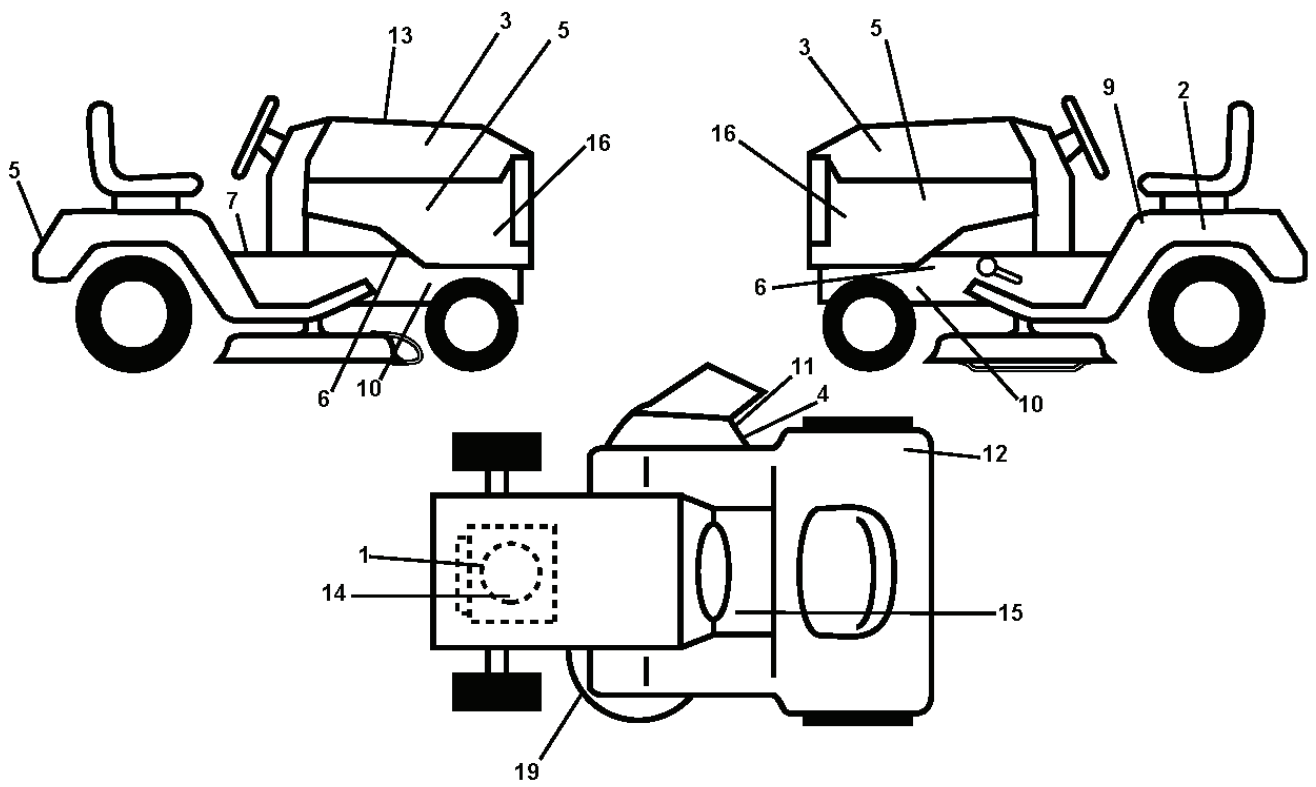
**OPTIONAL EQUIPMENT**  
**Spark Arrester**

engine-CRD\_bs\_19

REF.	PART NO.	DESCRIPTION	REMARK	QTY.	KIT
1	532170551	THROTTLE CONTROL		1	
2	817720408	SCREW		1	
3	000000000	W/O DESCRIPTION	Engine B&S Model No. 219807-1402-B1	1	
4	532179758	MUFFLER		1	
8	532171877	BOLT		1	
13	532165291	GASKET		1	
23	532169837	HEAT SHIELD		1	
25	532190695	CONTROL CHOKE		1	
29	532137180	SPARK ARRESTER KIT		1	
31	532407516	FUEL TANK		1	
32	532430220	FUEL CAP		1	
33	532123487	HOSE CLAMP		1	
37	532137040	HOSE		1	
40	532124028	BUSHING		1	
44	817670412	SCREW		1	
45	817000612	SCREW		1	
46	819091416	WASHER		1	
72	532192334	SCREW		1	
78	817060620	SCREW		1	
81	873510400	NUT		1	
119	532197949	PROTECTION POULIE MOTEUR GA.		1	
120	532197948	PROTECTION POULIE MOTEUR DR.		1	
121	532196688	NUT		1	
122	532421922	EXTENSION PIPE		1	
129	532400328	GUARD		1	
136	532137729	SCREW		1	

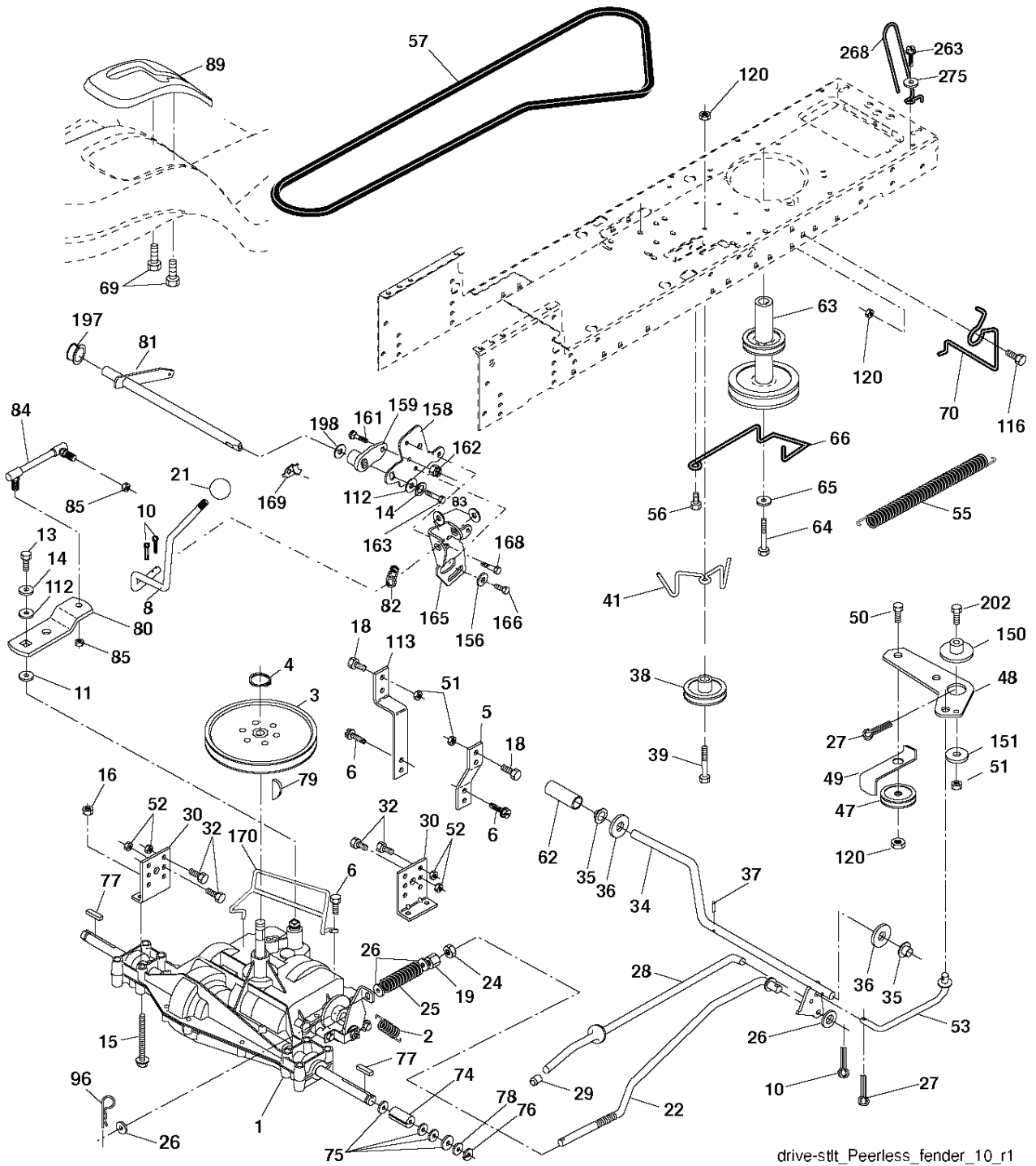


REF.	PART NO.	DESCRIPTION	REMARK	QTY.	KIT
1	532174619	FRAME		1	
2	532176554	PLATE		1	
5	532155272	DAMPER		1	
9	532415943	DASH		1	
10	872140608	BOLT		1	
11	532174996	DASHBOARD		1	
13	532181719	DASHBOARD		1	
14	817490608	SCREW		1	
17	532188893	HOOD		1	
18	532184921	BUMPER		1	
24	874780616	BOLT		1	
25	819131312	WASHER		1	
26	873800600	NUT		1	
28	532183538	GRILL		1	
30	532441286	FENDER		1	
31	532136619	ROD		1	
33	532179716	FOOTREST		1	
34	532179717	FOOTREST		1	
35	872110606	BOLT		1	
37	817490508	SCREW		1	
38	532175710	BRACKET		1	
39	532407807	BRACKET		1	
58	532184270	DUCT		1	
64	532154798	PANEL		1	
141	873900600	NUT		1	
145	532409167	ROD		1	
152	817720408	SCREW		1	
207	817670508	SCREW		1	
208	817670608	SCREW		1	
209	817000612	SCREW		1	
212	532183548	INSERT		1	
258	532185214	LENS		1	
259	532185213	LENS		1	
260	532185216	INSERT		1	
261	532185212	INSERT		1	
272	532188896	VENT HOOD RH		1	
273	532188895	VENT HOOD LH		1	
278	532416358	SCREW		1	
310	532422766	SHIELD		1	
311	532422767	SHIELD		1	
313	532196688	NUT		1	
314	532137729	SCREW		1	
315	532422866	SHIELD		1	
316	532422868	SHIELD		1	
317	532422860	SHIELD		1	
326	532430227	SHIELD		1	
327	532430225	HUB CAP		1	
--	532005479	PLUG		1	



---

REF.	PART NO.	DESCRIPTION	REMARK	QTY.	KIT
1	532196841	DECAL		1	
2	532145005	DECAL		1	
3	532415558	DECAL		1	
4	532196357	DECALC."DANGER DEFLECTEUR"		1	
5	532422012	DECAL		1	
6	532401146	DECAL		1	
7	532140837	DECAL		1	
9	532400389	LABEL		1	
10	532159736	DECAL		1	
11	532182166	DECAL		1	
12	532180432	DECAL		1	
13	532419019	DECAL		1	
14	532417926	DECAL		1	
15	532159737	DECAL		1	
16	532415550	DECAL		1	
19	532194302	DECALC.SCHEMA MONTAGE		1	
--	532162598	DECAL		1	
--	532138311	DECAL		1	



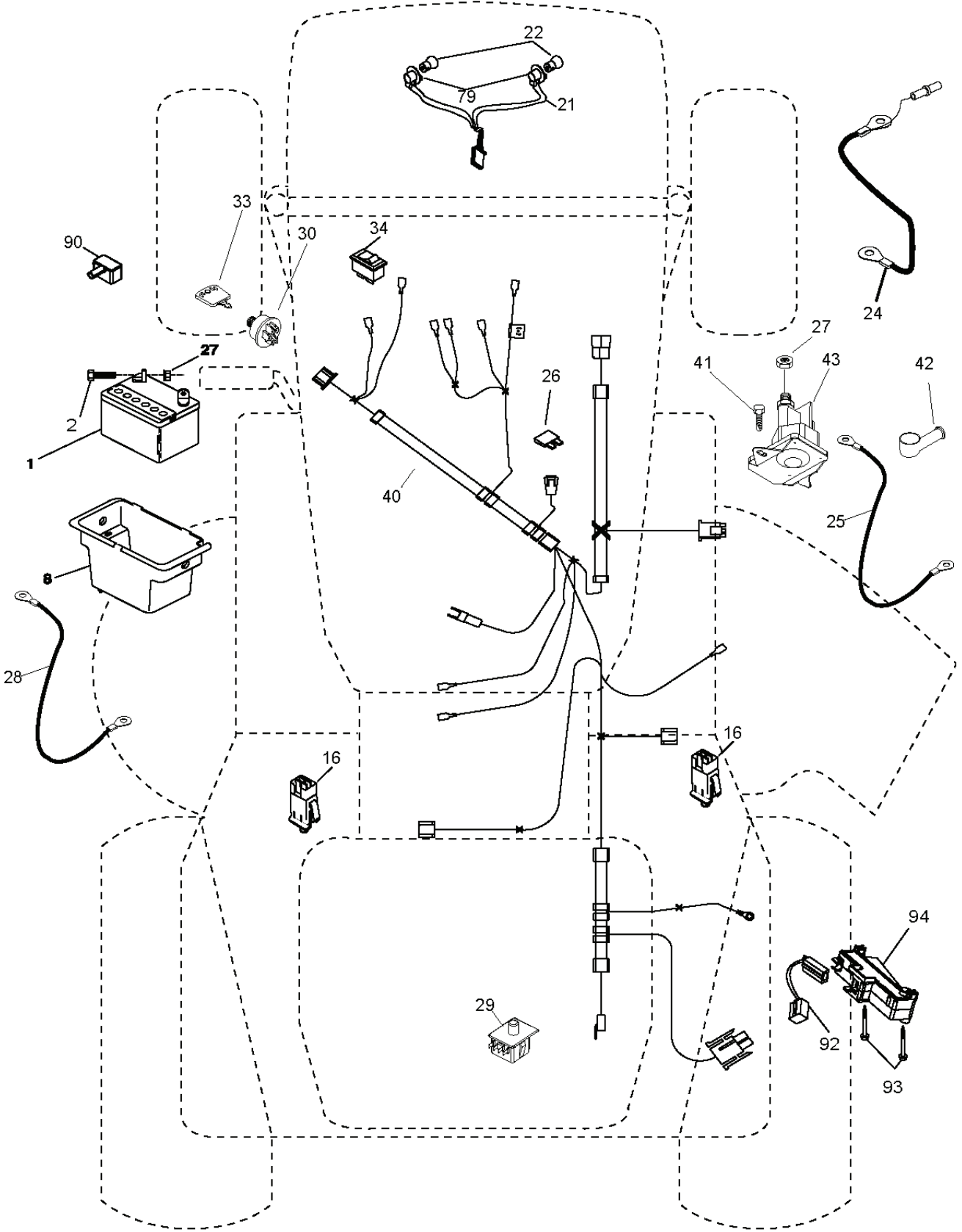
drive-stllt\_Peerless\_fender\_10\_r1

REF.	PART NO.	DESCRIPTION	REMARK	QTY.	KIT
1	000000000	W/O DESCRIPTION	TRANSAXLE PEERLESS MODEL 206-545C	1	
2	532146682	SPRING		1	
3	532123666	PULLEY		1	
4	812000028	CLIP		1	
5	532121520	BRACKET		1	
6	817060512	SCREW		1	
8	532192706	LEVER		1	
10	876020416	SPLIT PIN		1	
11	532105701	WASHER		1	
13	874550412	BOLT		1	
14	810040400	WASHER		1	
15	874490544	SCREW		1	
16	873800500	LOCK NUT		1	
18	874780616	BOLT		1	
19	873800600	NUT		1	
21	532106933	KNOB		1	
22	532130804	ROD		1	
24	873350600	NUT		1	
25	532106888	SPRING		1	
26	819131316	WASHER		1	
27	876020412	SPLIT PIN		1	
28	532175765	SHAFT		1	
29	532071673	COVER		1	
30	532174973	BRACKET		1	
32	874760512	BOLT		1	
34	532175578	SHAFT		1	
35	532120183	BEARING		1	
36	819211616	WASHER		1	
37	532124963	PIN RETAINING SCREW		1	
38	532179114	PULLEY		1	
39	872110622	BOLT		1	
41	532175556	BELT GUIDE		1	
47	532127783	PULLEY		1	
48	532154407	GUIDE		1	
49	532123205	BELT GUIDE		1	
50	872110612	BOLT		1	
51	873680600	NUT		1	
52	873680500	NUT		1	
53	532199652	TIGE DE TENSION POULIE		1	
55	532105709	SPRING		1	
56	817060620	SCREW		1	
57	532138255	BELT		1	
62	532124872	PEDAL RUBBER		1	
63	532175410	PULLEY		1	
64	532173937	BOLT		1	
65	810040700	WASHER		1	
66	532154778	TENSIONER		1	
69	532142432	SCREW		1	
70	532134683	BELT GUIDE		1	
74	532137057	SPACER		1	
75	532121749	WASHER		1	
76	812000001	RETAINER RING		1	
77	532123583	KEY		1	
78	532121748	WASHER		1	
79	532125096	WOODRUFF KEY		1	
80	532131486	ROD		1	
81	532165594	SHAFT		1	
82	532165711	SPRING		1	
83	819171216	WASHER		1	
84	532166228	LINK		1	
85	532150360	NUT		1	
89	532194971	CONSOLE SHIFT LT		1	
96	532124788	RETAINER RING		1	
112	819091210	WASHER		1	
113	532127285	BRACKET		1	
116	872140608	BOLT		1	
120	873900600	NUT		1	
150	532175456	SPACER		1	
151	819133210	WASHER		1	
156	532166002	WASHER		1	
158	532165589	BRACKET		1	
159	532183900	LEVER		1	
161	872140406	BOLT		1	
162	873680400	NUT		1	
163	874780416	BOLT		1	
165	532165623	BRACKET		1	
166	817490510	SCREW		1	

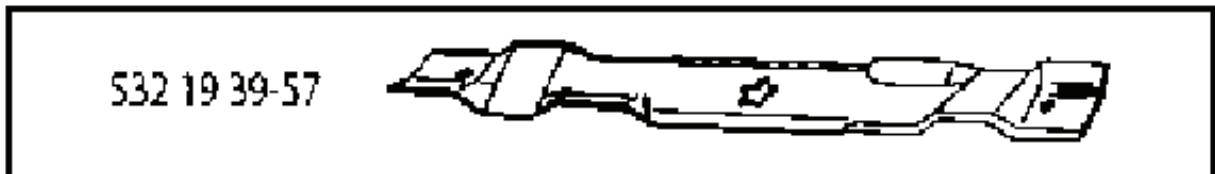
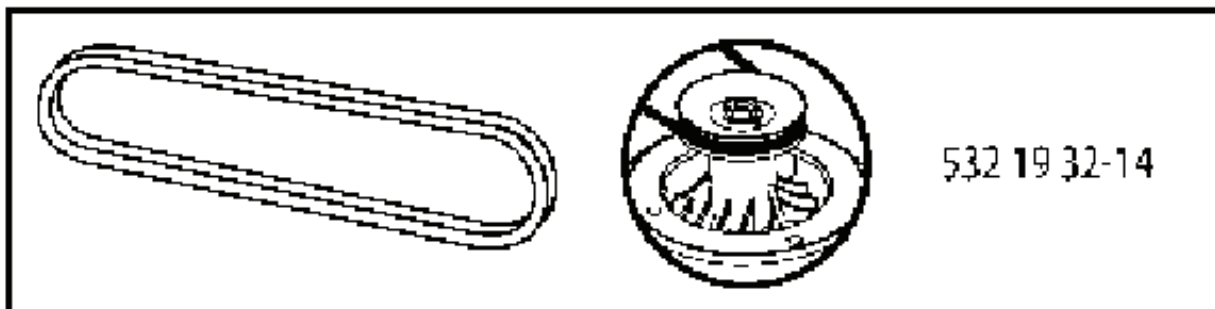
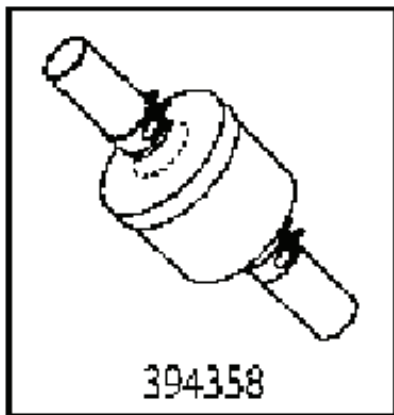
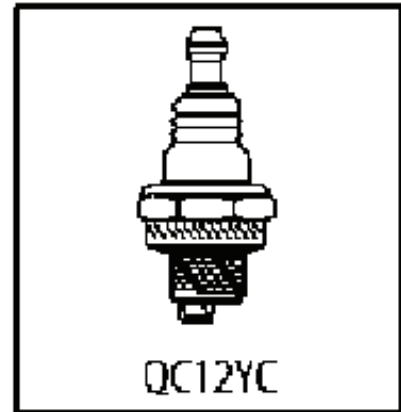
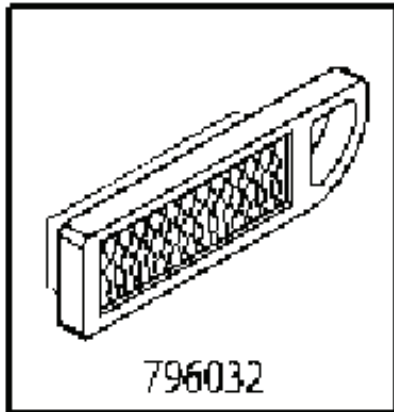
---

REF.	PART NO.	DESCRIPTION	REMARK	QTY.	KIT
168	532165492	BOLT		1	
169	532165580	RETAINER		1	
170	532187414	KEEPER		1	
197	532169613	SLEEVE		1	
198	532169593	WASHER		1	
202	872110614	BOLT		1	
263	817000612	SCREW		1	
268	532182402	PROTECTOR		1	
275	819131614	WASHER		1	

L02



REF.	PART NO.	DESCRIPTION	REMARK	QTY.	KIT
1	532163465	BATTERY		1	
2	874760412	BOLT		1	
8	532176689	BATTERY BOX		1	
16	532176138	MICRO SWITCH		1	
21	532175688	HARNESS		1	
22	532004152	BULB		1	
24	532421299	CABLE		1	
25	532421297	CABLE		1	
26	532175158	FUSE		1	
27	873510400	NUT		1	
28	532421298	CABLE		1	
29	532192749	SWITCH.SEAT.DP W/RAMPS		1	
30	532193350	IGNITION MODULE		1	
33	532411935	KEY		1	
34	532110712	SWITCH		1	
40	532197428	CABLE ASSY		1	
41	871110408	BOLT		1	
42	532131563	COVER		1	
43	532192507	SOLENOID		1	
79	532175242	HOLDER		1	
90	532180449	COVER		1	
92	532196615	CABLE ASSY		1	
93	532192540	SCREW		1	
94	532191834	MODULE.REVERSE.ROS		1	



---

REF.	PART NO.	DESCRIPTION	REMARK	QTY.	KIT
796032	586617101	AIR FILTER		0	
QC12YC	531029776	SPARK PLUG		0	
394358	582288363	FUEL FILTER		0	
532138255	532138255	BELT		0	
532193214	532193214	BELT		0	
532193957	532193957	RIDE ON BLADE		0	
	PART NO.		REMARK		KIT