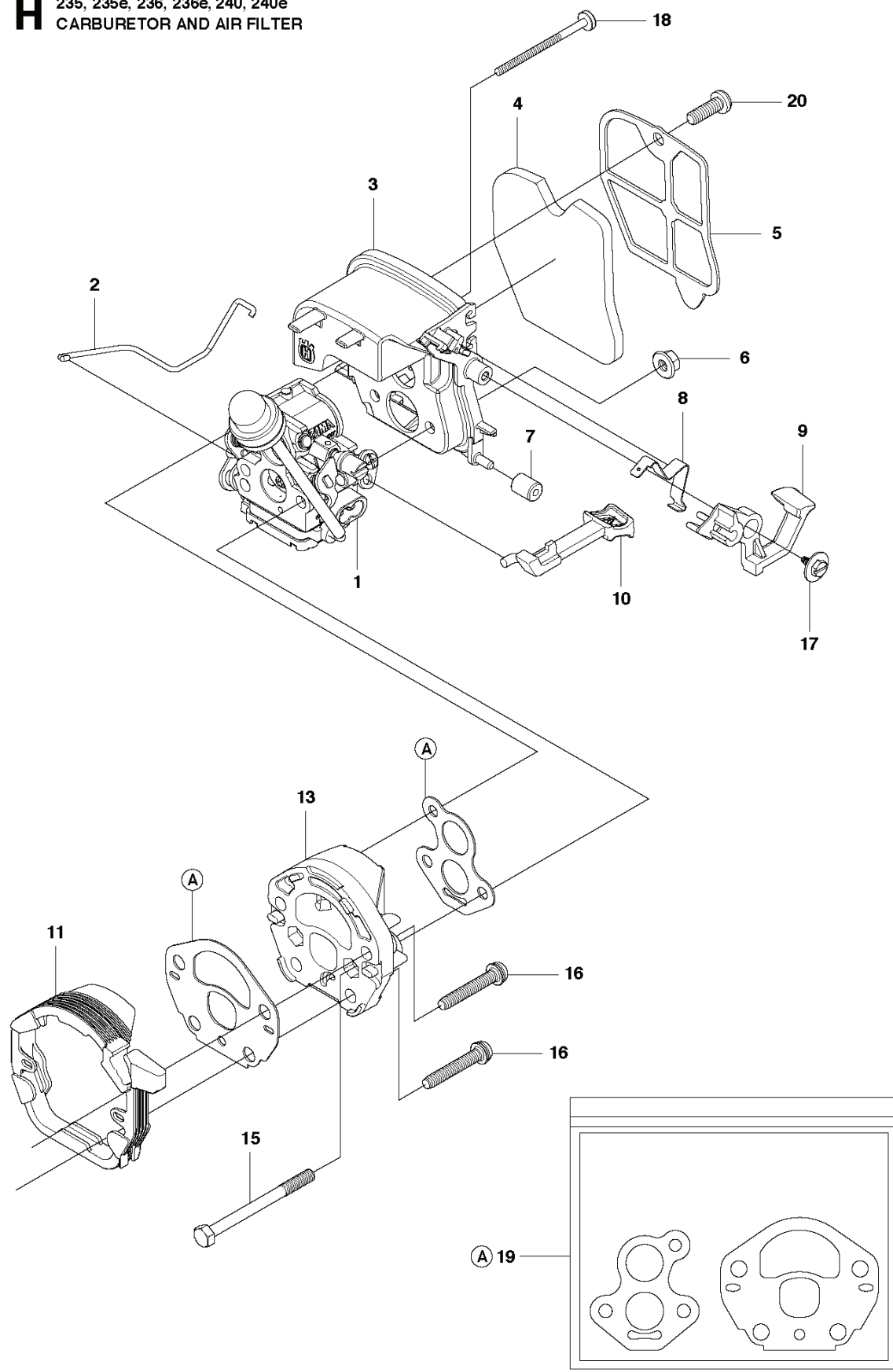


235, 20144000001-Current

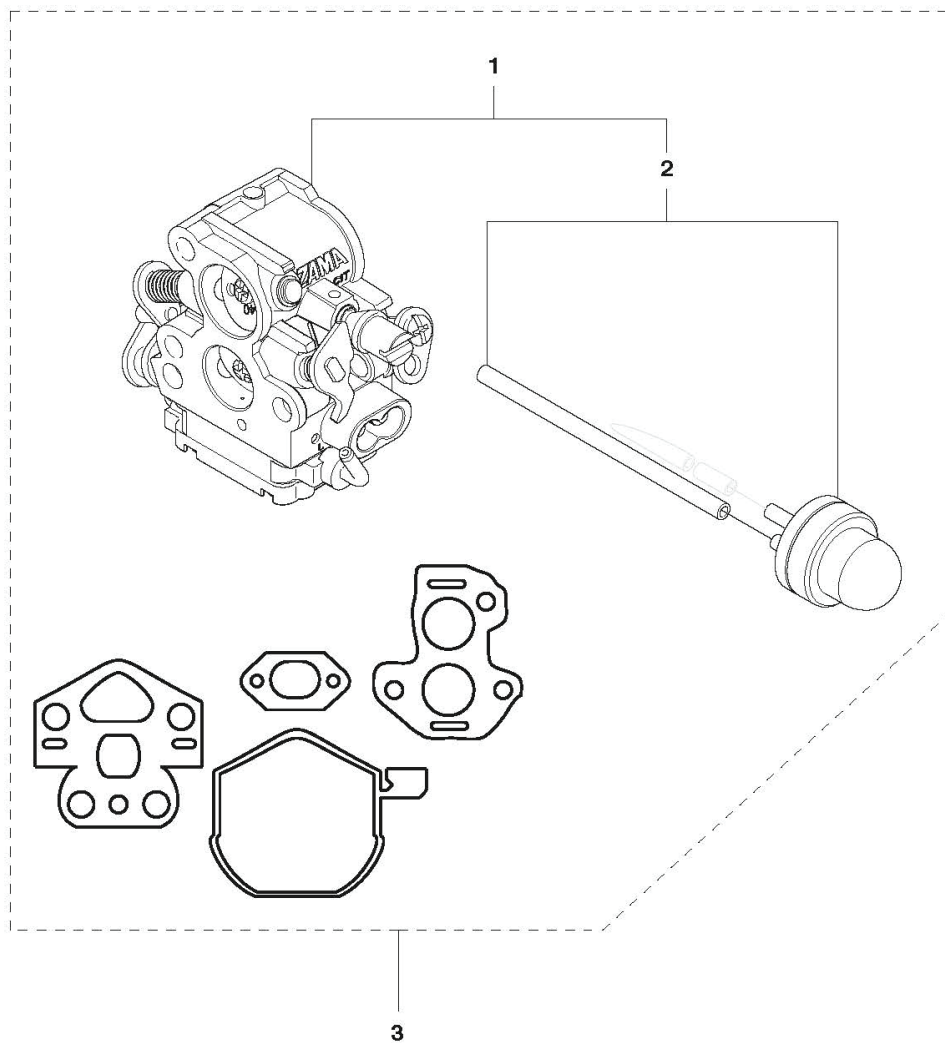
SPARE PARTS LIST

H 235, 235e, 236, 236e, 240, 240e
CARBURETOR AND AIR FILTER



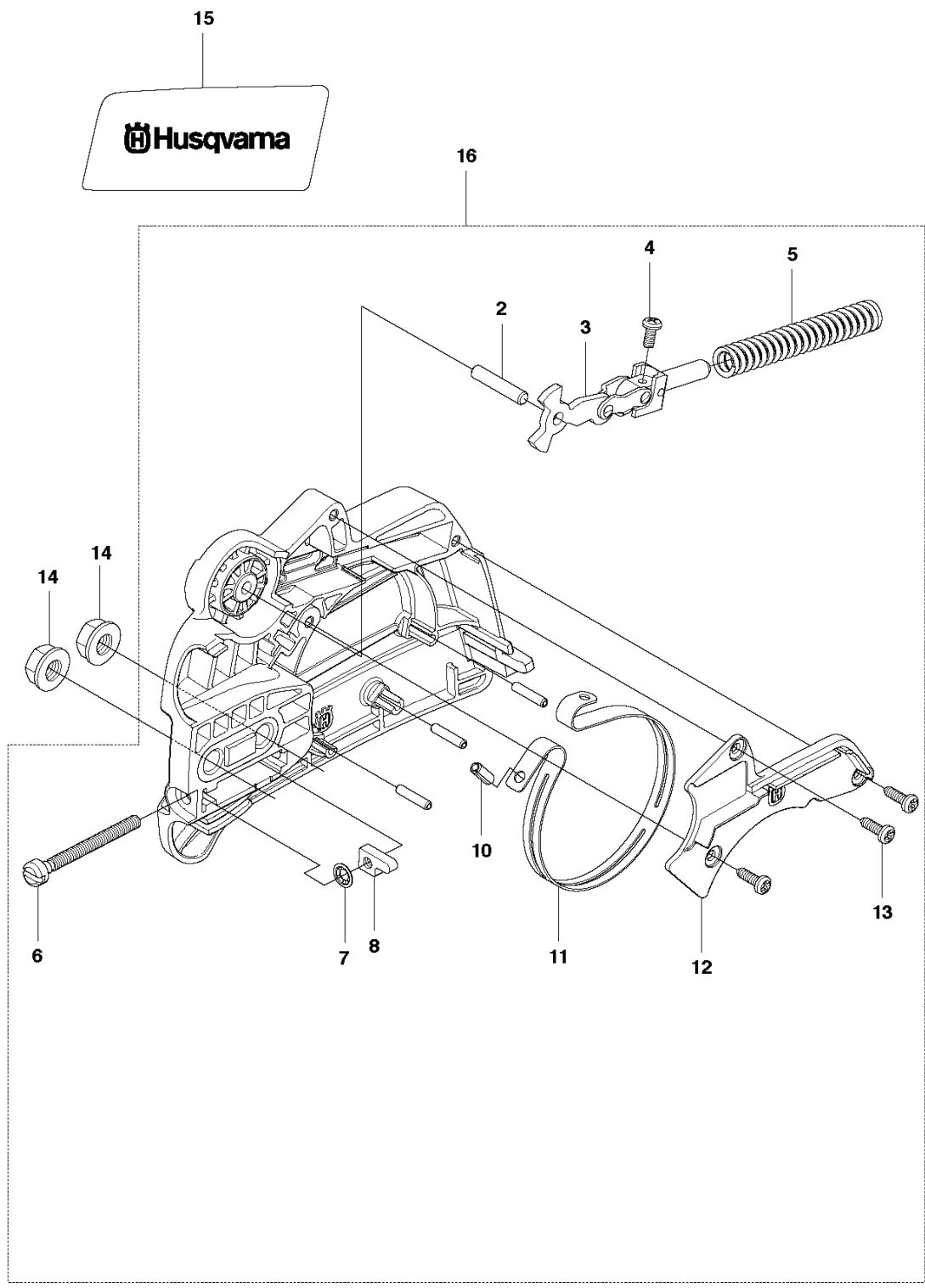
| REF. | PART NO. | DESCRIPTION | REMARK | QTY. | KIT |
|------|-----------|---------------------|--------|------|-----|
| 1 | 586936202 | CARBURETTOR | | 1 | |
| 2 | 545062801 | THROTTLE WIRE | | 1 | |
| 3 | 545062101 | FILTER HOUSING | | 1 | |
| 4 | 545061801 | AIR FILTER | | 1 | |
| 5 | 545151801 | FILTER | | 1 | |
| 6 | 530016101 | NUT | | 2 | |
| 7 | 545061901 | ISOLATOR | | 1 | |
| 8 | 545063401 | SWITCH.SPRING | | 1 | |
| 9 | 545061701 | SWITCH LEVER | | 1 | |
| 10 | 545061601 | CHOKE KNOB | | 1 | |
| 11 | 545061501 | CARB ADAPTOR SEAL | | 1 | |
| 13 | 545169801 | ADAPTER | | 1 | |
| 15 | 545033701 | STUD-CARBURETOR | | 2 | |
| 16 | 545158301 | CARB ADAPTOR SCREW | | 4 | |
| 17 | 530016080 | SCREW | | 1 | |
| 18 | 545074901 | TOP STUD-CARBURETOR | | 1 | |
| 19 | 545081892 | GASKET KIT | | 1 | |
| 20 | 530016349 | SCREW | | 1 | |

N 235, 235e, 236, 236e, 240, 240e
CARBURETOR DETAILS



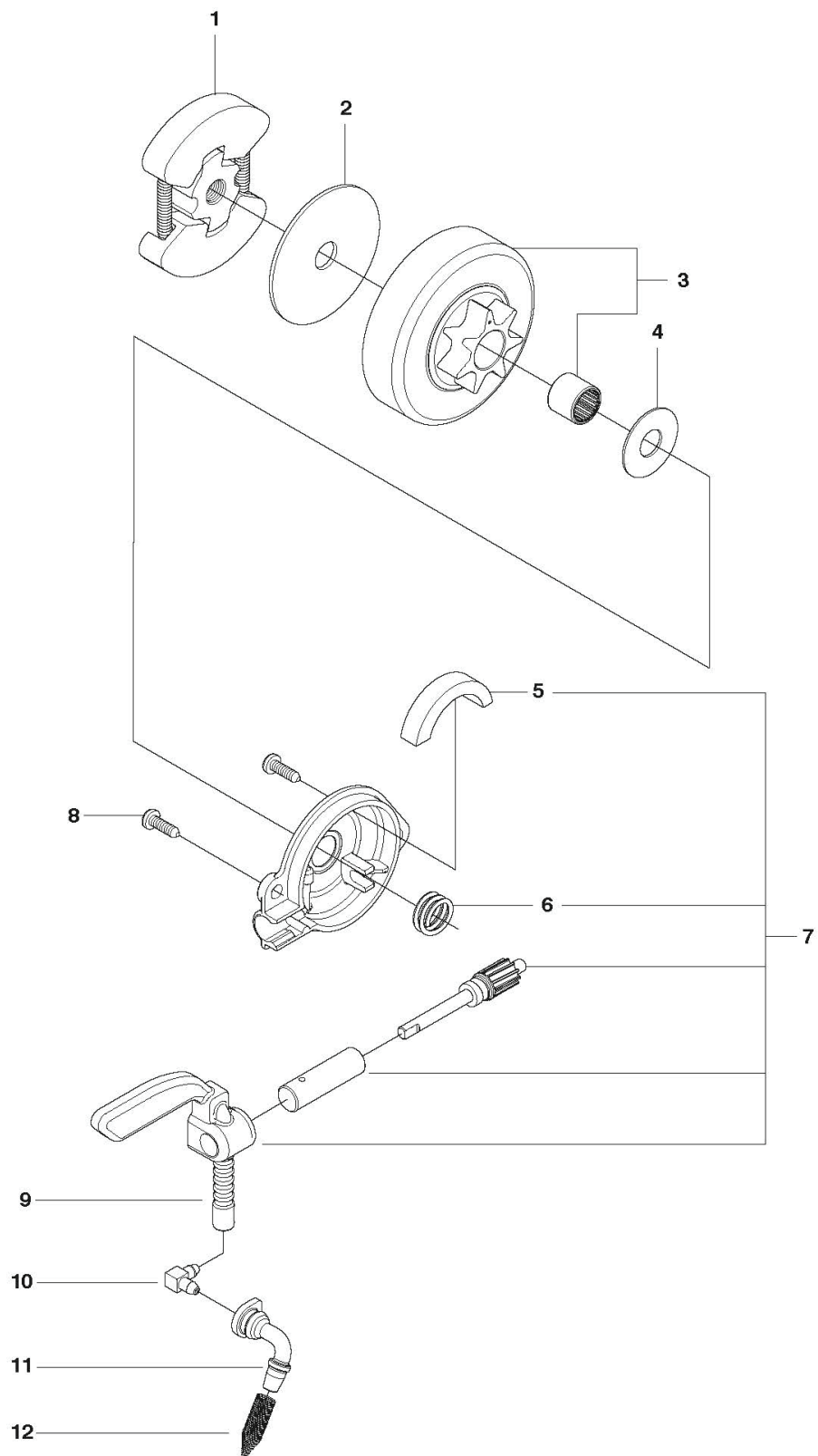
| REF. | PART NO. | DESCRIPTION | REMARK | QTY. | KIT |
|------|-----------|-------------------------|--------|------|-----|
| 1 | 586936202 | CARBURETTOR | | 1 | 3 |
| 2 | 545008030 | PURGE AND LINE ASSEMBLY | | 1 | 1,3 |
| 3 | 587609701 | KIT | | 1 | |

B 235, 236, 240
CHAIN BRAKE ASSY



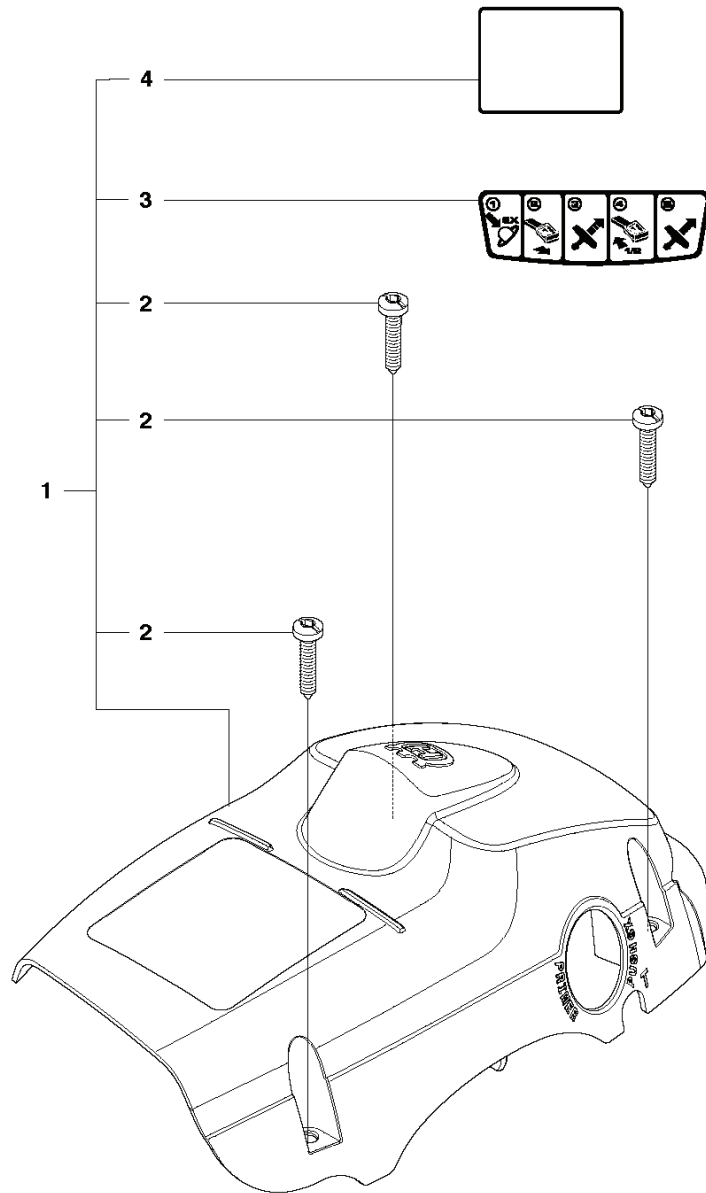
| REF. | PART NO. | DESCRIPTION | REMARK | QTY. | KIT |
|------|-----------|--------------------|--------|------|-----|
| 2 | 530057950 | PIN, DOWEL | | 1 | 16 |
| 3 | 530057940 | ASSY, FRONT LINK | | 1 | 16 |
| 4 | 574780301 | SCREW | | 1 | 16 |
| 5 | 530016415 | SPRING COMPRESSION | | 1 | 16 |
| 6 | 530016110 | SCREW | | 1 | 16 |
| 7 | 530038593 | RETAINER | | 1 | 16 |
| 8 | 530015826 | PEN | | 1 | 16 |
| 10 | 530015913 | PEN | | 1 | 16 |
| 11 | 530057923 | BRAKE BAND | | 1 | 16 |
| 12 | 525743001 | COVER | | 1 | 16 |
| 13 | 545227101 | SCREW | | 3 | 16 |
| 14 | 530015917 | NUT | | 2 | |
| 15 | 545118701 | DECAL | | 1 | |
| 16 | 525628901 | CHAIN BRAKE ASSY | | 1 | |

C 235, 235e, 236, 236e, 240, 240e
CLUTCH AND OIL PUMP



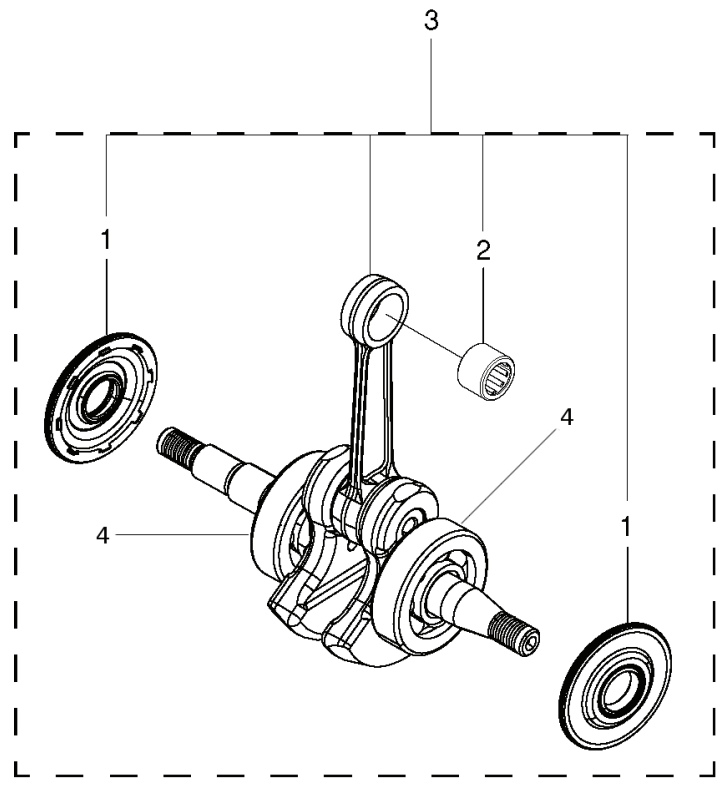
| REF. | PART NO. | DESCRIPTION | REMARK | QTY. | KIT |
|------|-----------|------------------|--------------|------|-----|
| 1 | 530014949 | CLUTCH | | 1 | |
| 2 | 530015611 | WASHER | | 1 | |
| 3 | 530047061 | CLUTCH DRUM ASSY | 3/8 6-Tooth | 1 | |
| 3 | 530048132 | CLUTCH DRUM | .325 7-tooth | 1 | |
| 4 | 579621501 | WASHER | | 1 | |
| 5 | 525318401 | DUST SEAL | | 1 | |
| 6 | 530037820 | WORM GEAR | | 1 | |
| 7 | 581063901 | OIL PUMP ASSY | | 1 | |
| 8 | 530016064 | SCREW | | 2 | |
| 9 | 545227501 | BLOCK | | 1 | |
| 10 | 530049477 | ELBOW | | 1 | |
| 11 | 545069401 | SEAL | | 1 | |
| 12 | 530056533 | SCREEN | | 1 | |

D 235, 235e, 236, 236e, 240, 240e
COVER



| REF. | PART NO. | DESCRIPTION | REMARK | QTY. | KIT |
|-----------|-----------|-------------|----------------------------------|------|-----|
| 1 | 576543201 | KIT | | 1 | |
| 2 | 574320601 | SCREW | SCREWS STRIPPED SEE SB1200019 | 3 | 1 |
| 3 | 545116502 | DECAL | | 1 | 1 |
| 4 | 545165957 | SIGN | | 1 | 1 |
| SB1200019 | 579173401 | KIT | SEE SB1200019 | 1 | |

K2 235, 235e, 236, 236e, 240, 240e
CRANKSHAFT

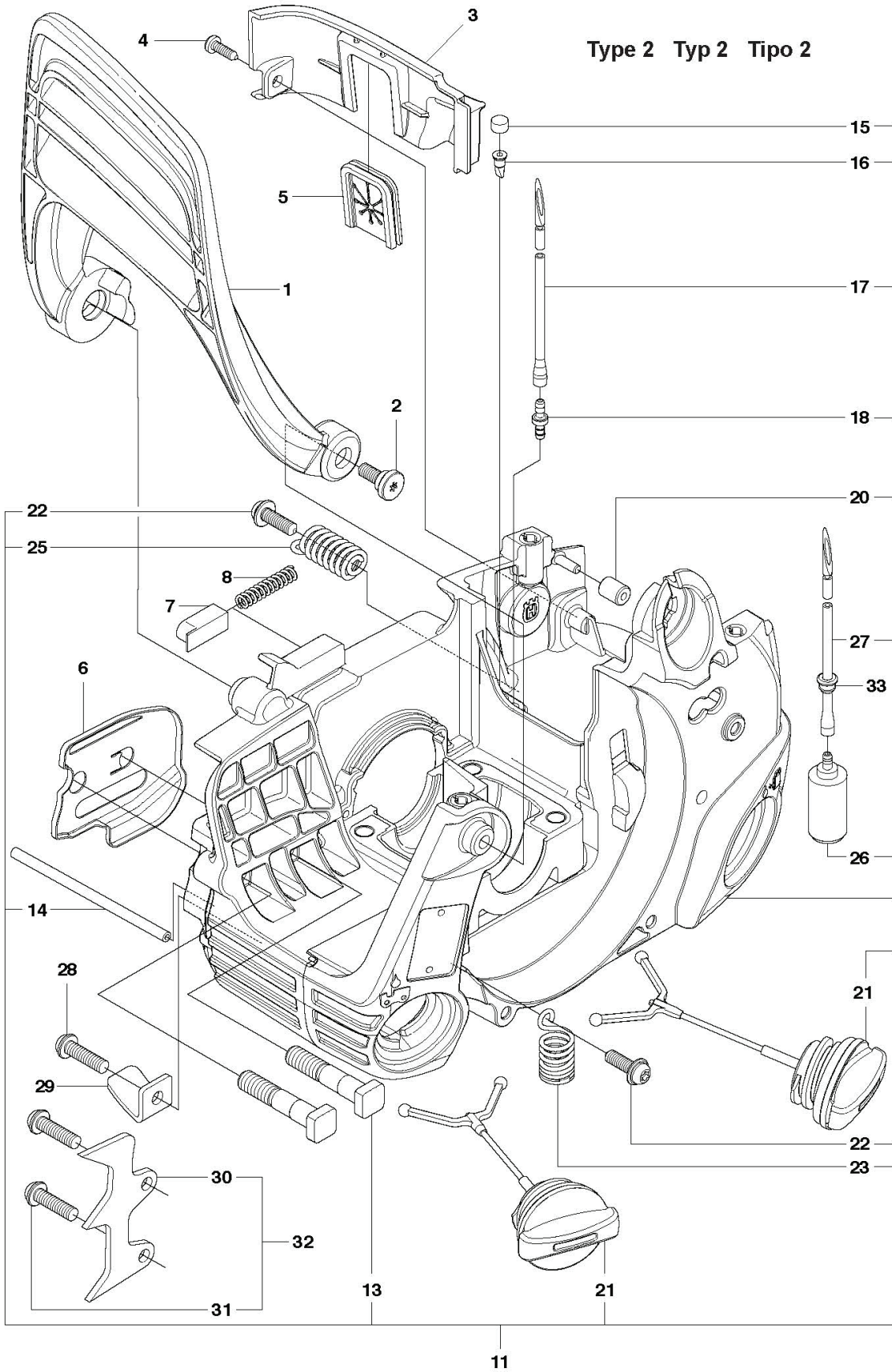


| REF. | PART NO. | DESCRIPTION | REMARK | QTY. | KIT |
|------|-----------|-------------|--------------------------------------|------|-----|
| 1 | 581608001 | SEAL | | 2 | 3 |
| 2 | 574449401 | ASSEMBLY | | 1 | 3 |
| 3 | 577830802 | KIT | CRANKSHAFT W / HARDMOUNT BEARINGS | 1 | |
| 4 | 585621401 | BEARING | | 1 | 3 |

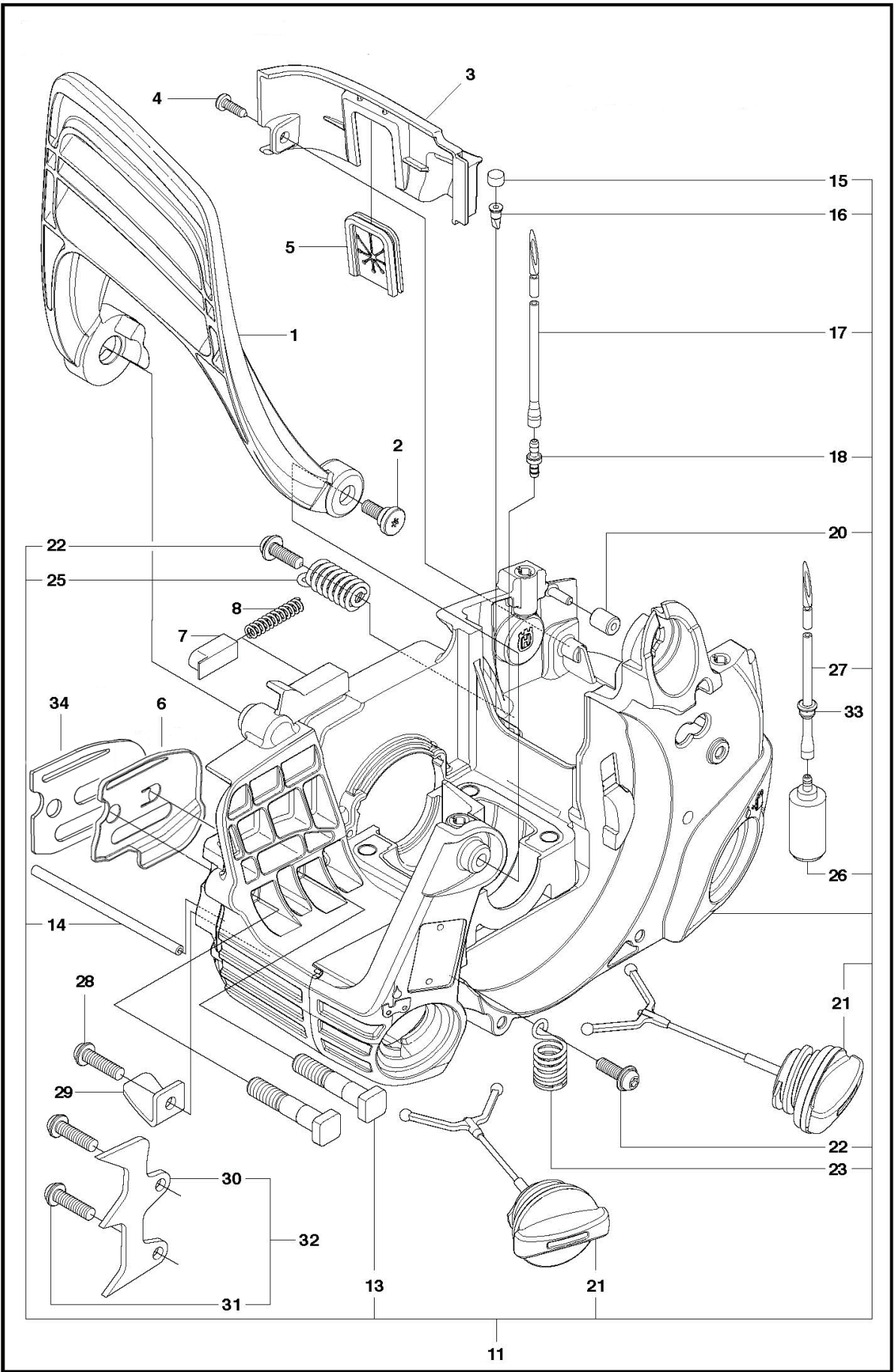
L2 235, 235e, 236, 236e, 240, 240e
CHASSIS & HAND GUARD



Type 2 Typ 2 Tipo 2

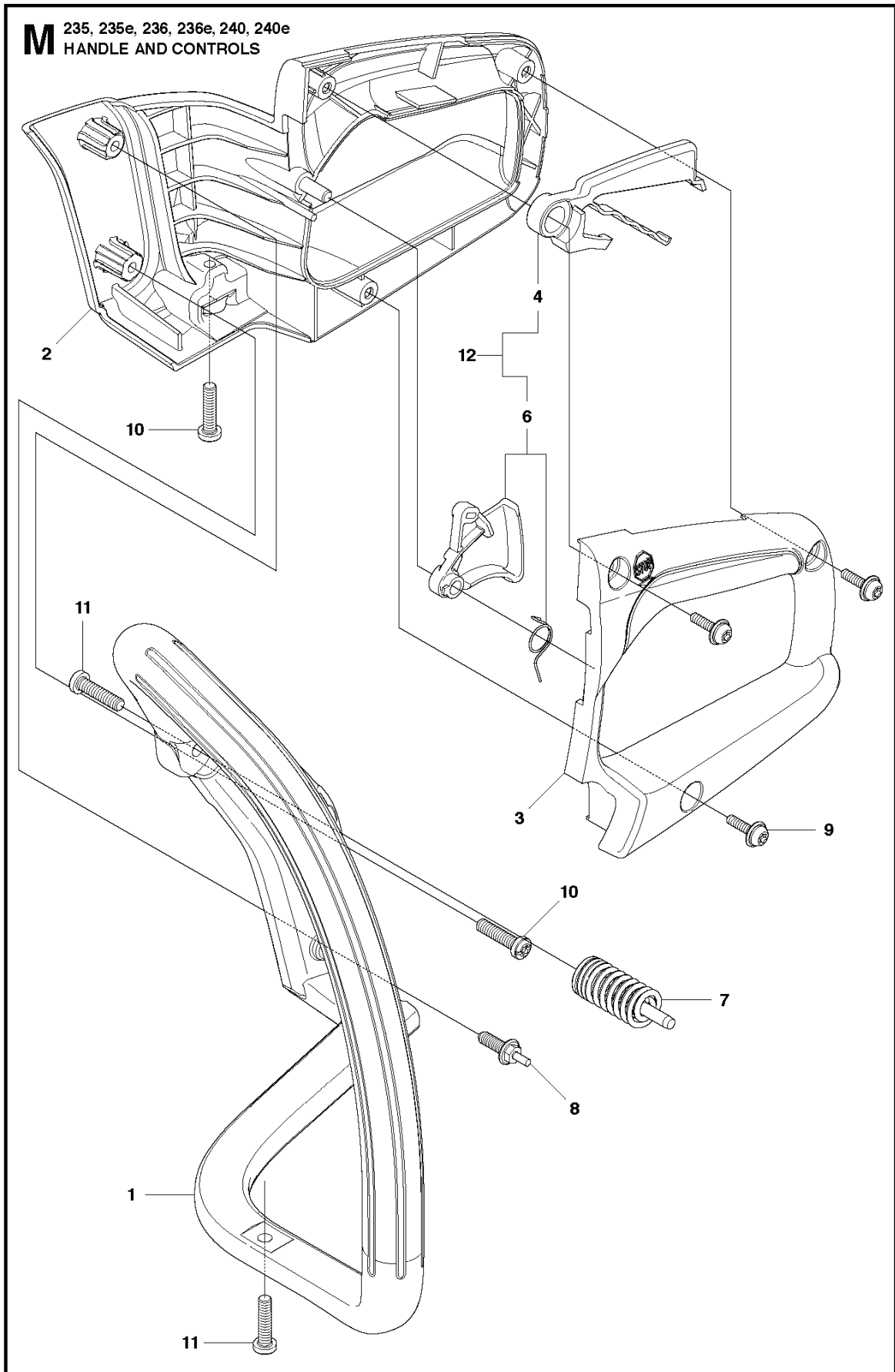


| REF. | PART NO. | DESCRIPTION | REMARK | QTY. | KIT |
|------|-----------|----------------------------|--------|------|-----|
| 1 | 577611901 | HAND GUARD | | 1 | |
| 2 | 545127301 | BOSS | | 1 | |
| 3 | 545061201 | REAR WHEEL | | 1 | |
| 4 | 545227101 | SCREW | | 1 | |
| 5 | 545075401 | GROMMET | | 1 | |
| 6 | 545071401 | BAR | | 1 | |
| 7 | 545071301 | CAP. SPRING HANDGUARD | | 1 | |
| 8 | 545071201 | SPRING. HANDGUARD POSITION | | 1 | |
| 11 | 587026801 | CHASSIS | | 1 | |
| 13 | 529310301 | BOLT | | 2 | 11 |
| 14 | 545033501 | HOSE | | 1 | |
| 15 | 530029868 | PLUG | | 1 | |
| 16 | 530026119 | CHECK VALVE | | 1 | |
| 17 | 530021025 | HOSE | | 1 | |
| 18 | 530023877 | NIPPLE | | 1 | |
| 20 | 545061901 | ISOLATOR | | 1 | |
| 21 | 544111201 | TANK CAP ASSY | | 2 | 11 |
| 22 | 530015906 | SCREW | | 2 | 11 |
| 23 | 545033801 | ISOLATOR | | 1 | |
| 25 | 545063101 | SPRING | | 1 | |
| 26 | 577167201 | FUEL FILTER | | 1 | |
| 27 | 580632317 | LINE | | 1 | |
| 28 | 530015814 | SCREW | | 1 | |
| 29 | 530029850 | CHAIN CATCHER | | 1 | |
| 30 | 530038990 | FELLING DOG | | 1 | 32 |
| 31 | 530016439 | SCREW | | 2 | 32 |
| 32 | 530014381 | FELLING DOG | | 1 | |
| 33 | 503735801 | BUSHING | | 1 | |



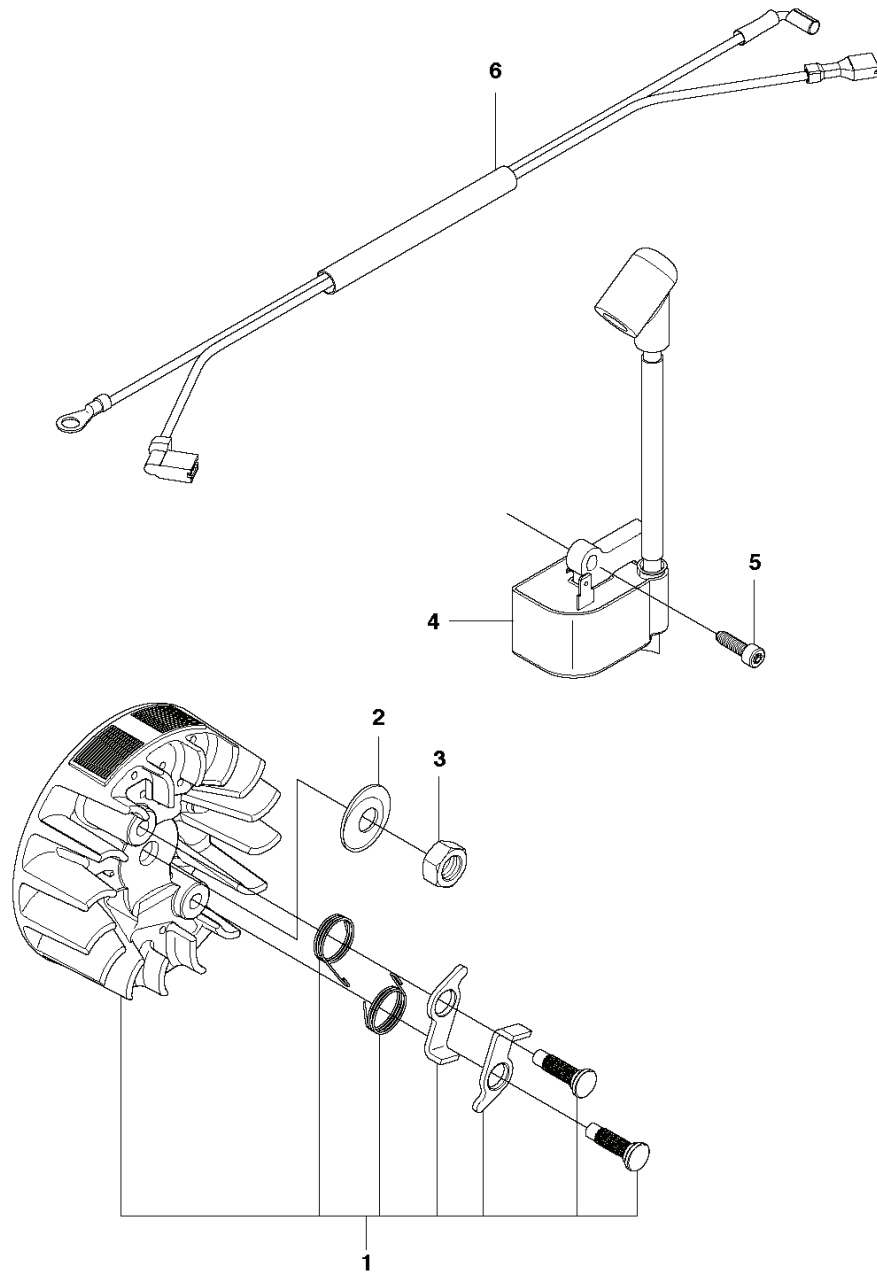
| REF. | PART NO. | DESCRIPTION | REMARK | QTY. | KIT |
|------|-----------|----------------------------|--------|------|-------|
| 1 | 577611901 | HAND GUARD | | 1 | |
| 2 | 545127301 | BOSS | | 1 | |
| 3 | 545061201 | REAR WHEEL | | 1 | |
| 4 | 545227101 | SCREW | | 1 | |
| 5 | 545075401 | GROMMET | | 1 | |
| 6 | 545071401 | BAR | | 1 | |
| 7 | 545071301 | CAP. SPRING HANDGUARD | | 1 | |
| 8 | 545071201 | SPRING. HANDGUARD POSITION | | 1 | |
| 11 | 579665203 | CHASSIS | | 1 | 13-27 |
| 13 | 529310301 | BOLT | | 2 | |
| 14 | 545033501 | HOSE | | 1 | |
| 15 | 530029868 | PLUG | | 1 | |
| 16 | 530026119 | CHECK VALVE | | 1 | |
| 17 | 580727101 | FUEL HOSE | | 1 | |
| 18 | 530023877 | NIPPLE | | 1 | |
| 20 | 545061901 | ISOLATOR | | 1 | |
| 21 | 544111201 | TANK CAP ASSY | | 2 | |
| 22 | 530015906 | SCREW | | 2 | |
| 23 | 545033801 | ISOLATOR | | 1 | |
| 25 | 577540601 | SPRING | | 1 | |
| 26 | 577167201 | FUEL FILTER | | 1 | |
| 27 | 580727101 | FUEL HOSE | | 1 | |
| 28 | 530015814 | SCREW | | 1 | |
| 29 | 530029850 | CHAIN CATCHER | | 2 | |
| 30 | 530038990 | FELLING DOG | | 1 | |
| 31 | 530016439 | SCREW | | 2 | |
| 32 | 530014381 | FELLING DOG | | 1 | |
| 33 | 503735801 | BUSHING | | 1 | |
| 34 | 592969801 | SPACER PLATE | | 1 | |

M 235, 235e, 236, 236e, 240, 240e
HANDLE AND CONTROLS



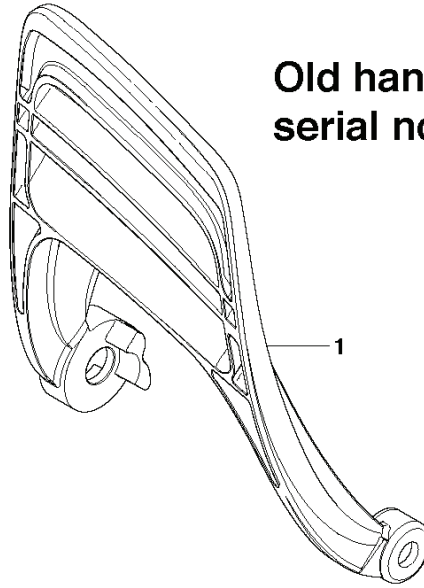
| REF. | PART NO. | DESCRIPTION | REMARK | QTY. | KIT |
|------|-----------|--------------------------------|--------|------|-----|
| 1 | 545062401 | FRONT HANDLE | | 1 | |
| 2 | 545062202 | REAR HANDLE W/OVMLD 240E | | 1 | |
| 2 | 545062201 | REAR HANDLE | | 1 | |
| 3 | 545062302 | REAR HANDLE COVER W/OVMLD 240E | | 1 | |
| 3 | 545062301 | REAR HANDLE COVER 235/235E | | 1 | |
| 4 | 545062601 | LOCKOUT- THROTTLE | | 1 | 12 |
| 6 | 578246701 | TRIGGER | | 1 | 12 |
| 7 | 545033901 | ISOLATOR | | 1 | |
| 8 | 545076301 | ISOLATION LIMITER SCREW | | 1 | |
| 9 | 530016433 | SCREW | | 3 | |
| 10 | 530016349 | SCREW | | 2 | |
| 11 | 530016432 | SCREW | | 2 | |
| 12 | 578862201 | KIT | | 1 | |

F 235, 235e, 236, 236e, 240, 240e
IGNITION SYSTEM



| REF. | PART NO. | DESCRIPTION | REMARK | QTY. | KIT |
|------|-----------|--------------------|--------|------|-----|
| 1 | 575635502 | FLYWHEEL | | 1 | |
| 2 | 530015127 | WASHER | | 1 | |
| 3 | 530016134 | NUT | | 1 | |
| 4 | 575803501 | MODULE | | 1 | |
| 5 | 545121901 | SCREW | | 2 | |
| 6 | 545079901 | ASSY- WIRE HARNESS | | 1 | |

Q 235, 235e, 236, 236e, 240, 240e
SERVICE UPDATE

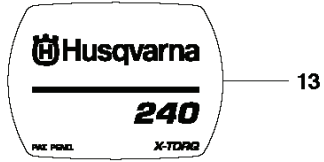
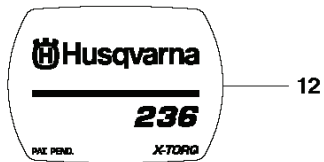
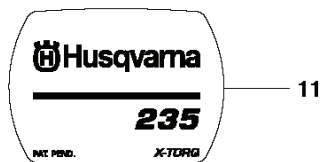
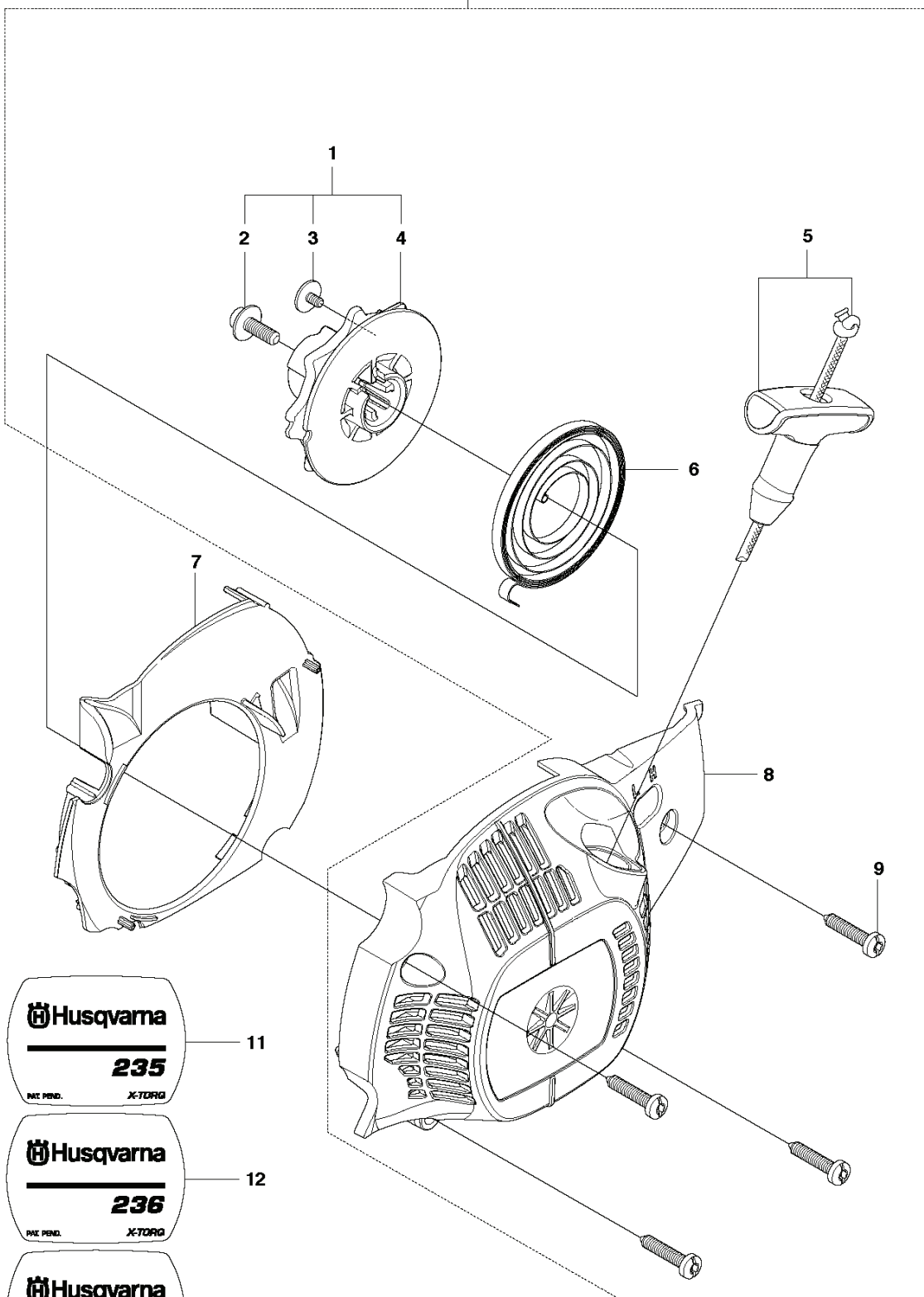


**Old hand guard up to
serial no. 2009389999**

| REF. | PART NO. | DESCRIPTION | REMARK | QTY. | KIT |
|------|-----------|-------------|--------|------|-----|
| 1 | 545066701 | HANDGUARD | | 1 | |

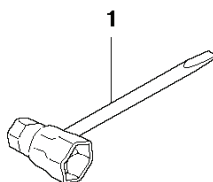
E2 235, 236, 240
STANDARD STARTER

10

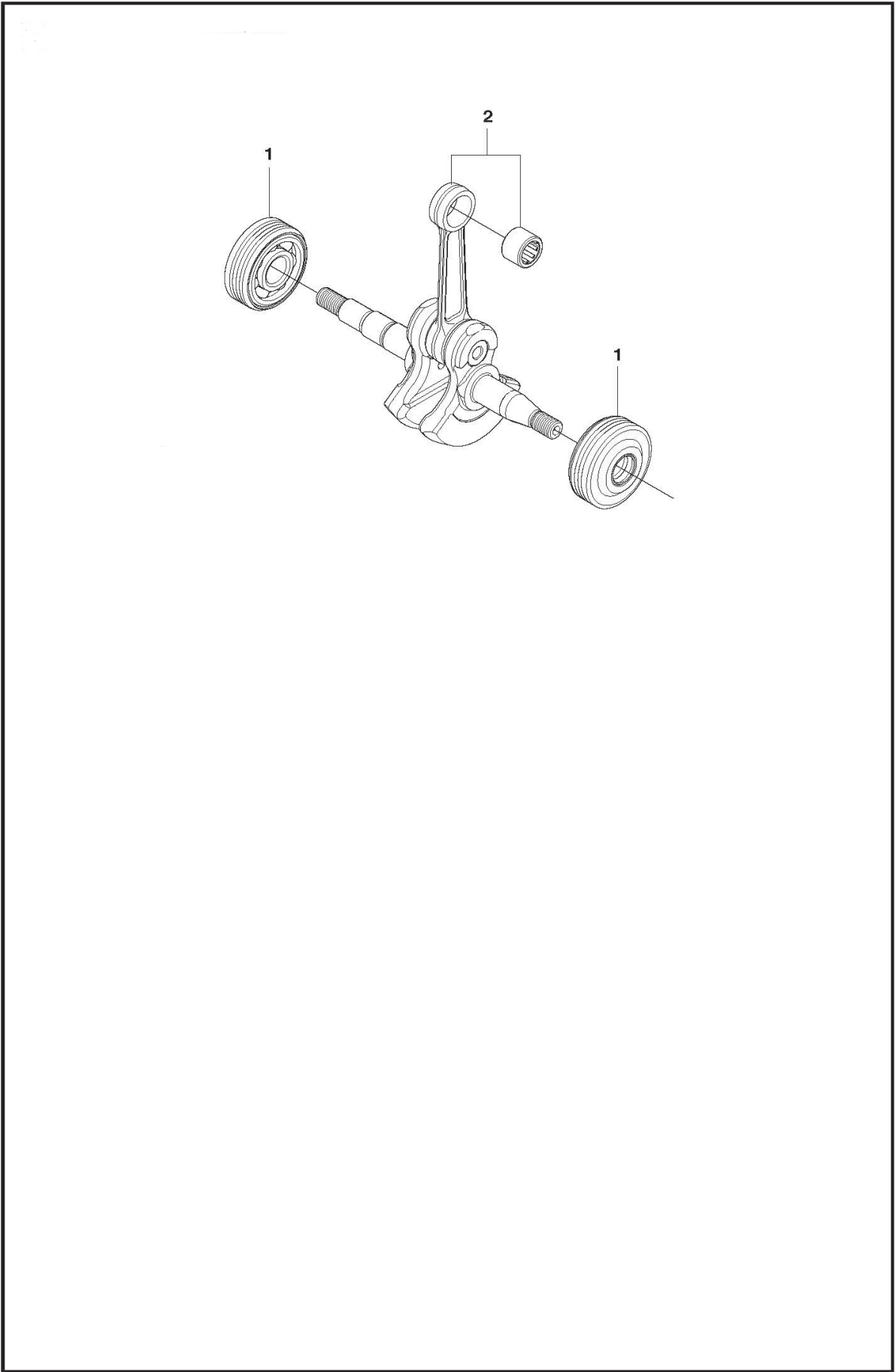


| REF. | PART NO. | DESCRIPTION | REMARK | QTY. | KIT |
|------|-----------|----------------|--------|------|-----|
| 1 | 545008028 | STARTER PULLEY | | 1 | |
| 2 | 530015920 | SCREW | | 1 | 1.1 |
| 3 | 530016080 | SCREW | | 1 | 1.1 |
| 4 | 530057890 | STARTER PULLEY | | 1 | 1.1 |
| 5 | 545010010 | HANDLE | | 1 | 10 |
| 6 | 530042095 | SPRING | | 1 | 10 |
| 7 | 545063801 | BAFFLE | | 1 | |
| 8 | 545063701 | FAN HOUSING | | 1 | 10 |
| 9 | 530016432 | SCREW | | 4 | 10 |
| 10 | 545008025 | KIT | | 1 | |
| 11 | 545118503 | DECAL | | 1 | |
| 12 | 575729701 | DECAL | | 1 | |
| 13 | 545165947 | DECAL | | 1 | |

P 235, 235e, 236, 236e, 240, 240e
ACCESSORIES



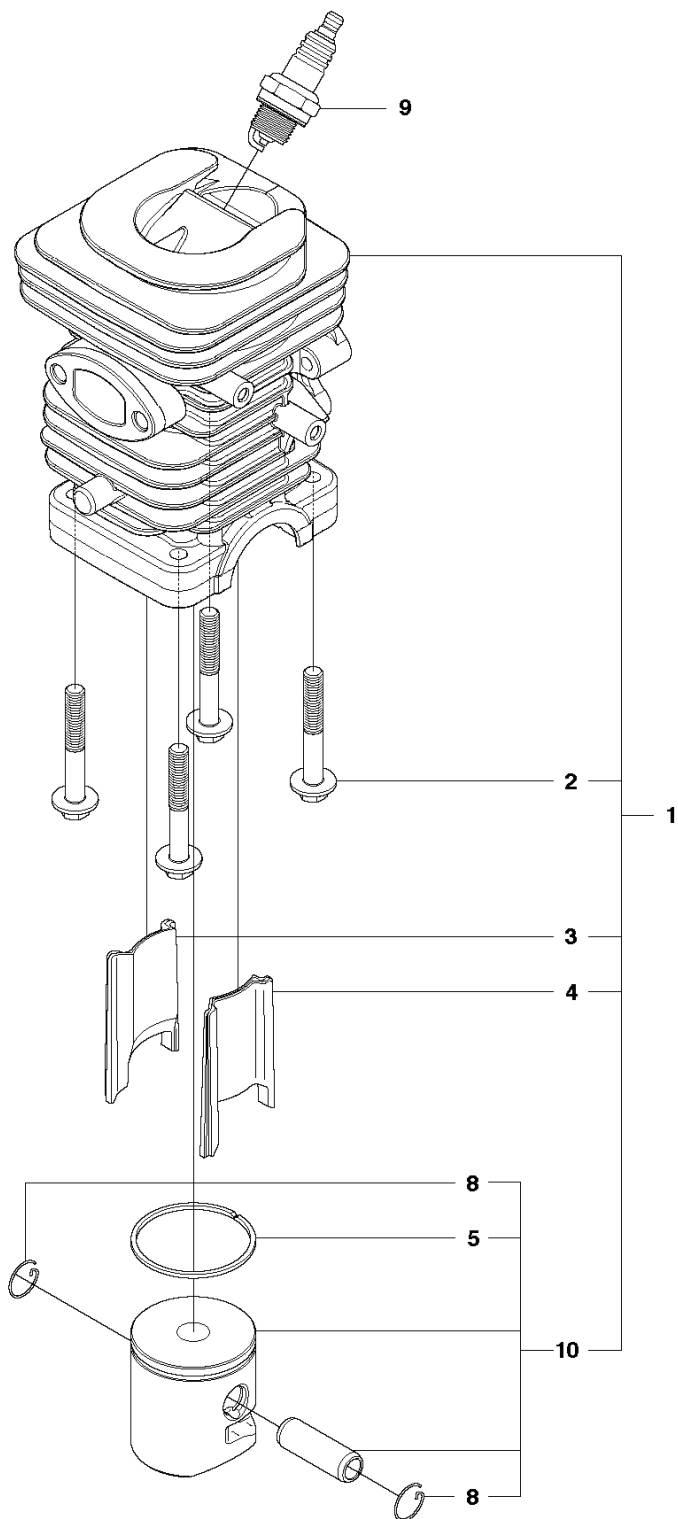
| REF. | PART NO. | DESCRIPTION | REMARK | QTY. | KIT |
|------|-----------|-------------|--------|------|-----|
| 1 | 587465401 | WRENCH | | 1 | |



| REF. | PART NO. | DESCRIPTION | REMARK | QTY. | KIT |
|------|-----------|-------------|--------|------|-----|
| 1 | 576243901 | BEARING | | 2 | |
| 2 | 580302601 | CRANKSHAFT | | 1 | |

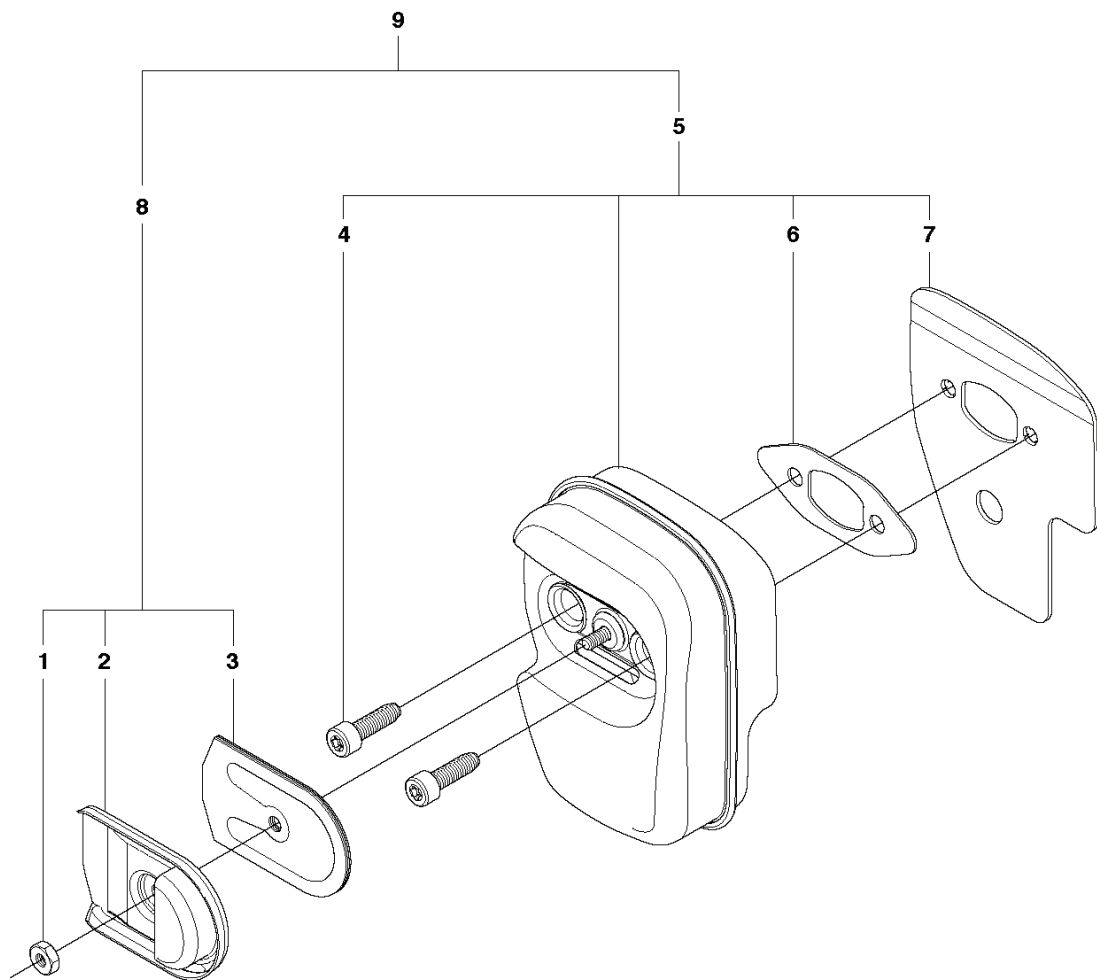
J1

235, 235e
CYLINDER PISTON 34cc



| REF. | PART NO. | DESCRIPTION | REMARK | QTY. | KIT |
|------|-----------|----------------------------|--------|------|-----|
| 1 | 545050418 | KIT | | 1 | |
| 2 | 545081501 | BOLT | | 4 | |
| 3 | 545101501 | TRANSFER INSERT LEFT 34C | | 1 | |
| 4 | 545101401 | TRANSFER INSERT RIGHT 34CC | | 1 | |
| 5 | 545101701 | PISTON RING | | 1 | 10 |
| 8 | 530015697 | LOCKING RING | | 2 | 10 |
| 9 | 503235108 | SPARK PLUG | | 1 | |
| 10 | 545081893 | KIT | | 1 | |

G 235, 235e, 236, 236e, 240, 240e
MUFFLER



| REF. | PART NO. | DESCRIPTION | REMARK | QTY. | KIT |
|------|-----------|--------------------|--------|------|-----|
| 1 | 574266401 | NUT | | 1 | 8,9 |
| 2 | 545076901 | EXHAUST PLATE | | 1 | 8,9 |
| 3 | 545167401 | SCREEN | | 1 | 8,9 |
| 4 | 530016338 | BOLT | | 2 | 5,9 |
| 5 | 586094301 | MUFFLER | | 1 | 9 |
| 6 | 530054884 | MUFFLER GASKET | | 1 | 5,9 |
| 7 | 545066901 | MUFFLER BACK PLATE | | 1 | 5,9 |
| 8 | 545008027 | KIT | | 1 | 9 |
| 9 | 545180843 | MUFFLER | | 1 | |