

350 EPA, 19993600001-20013500000

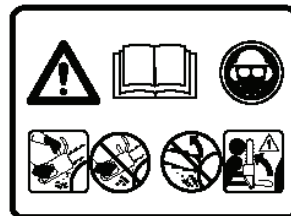
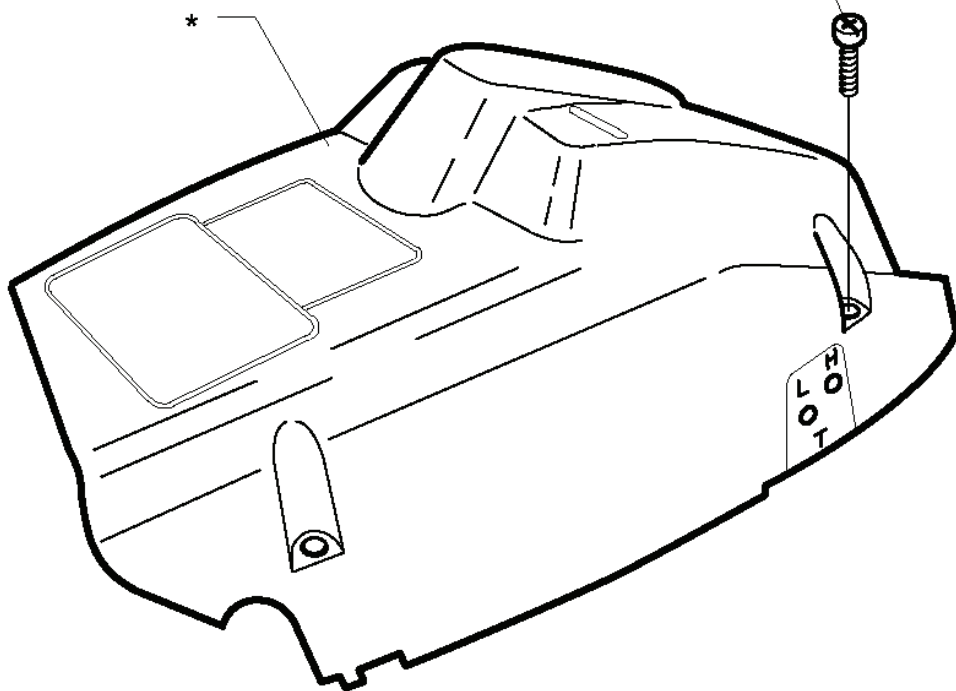
---

# **SPARE PARTS LIST**

**C**

\*compl 503 91 05-01

(x3)\*503 20 34-25



\*503 98 74-01

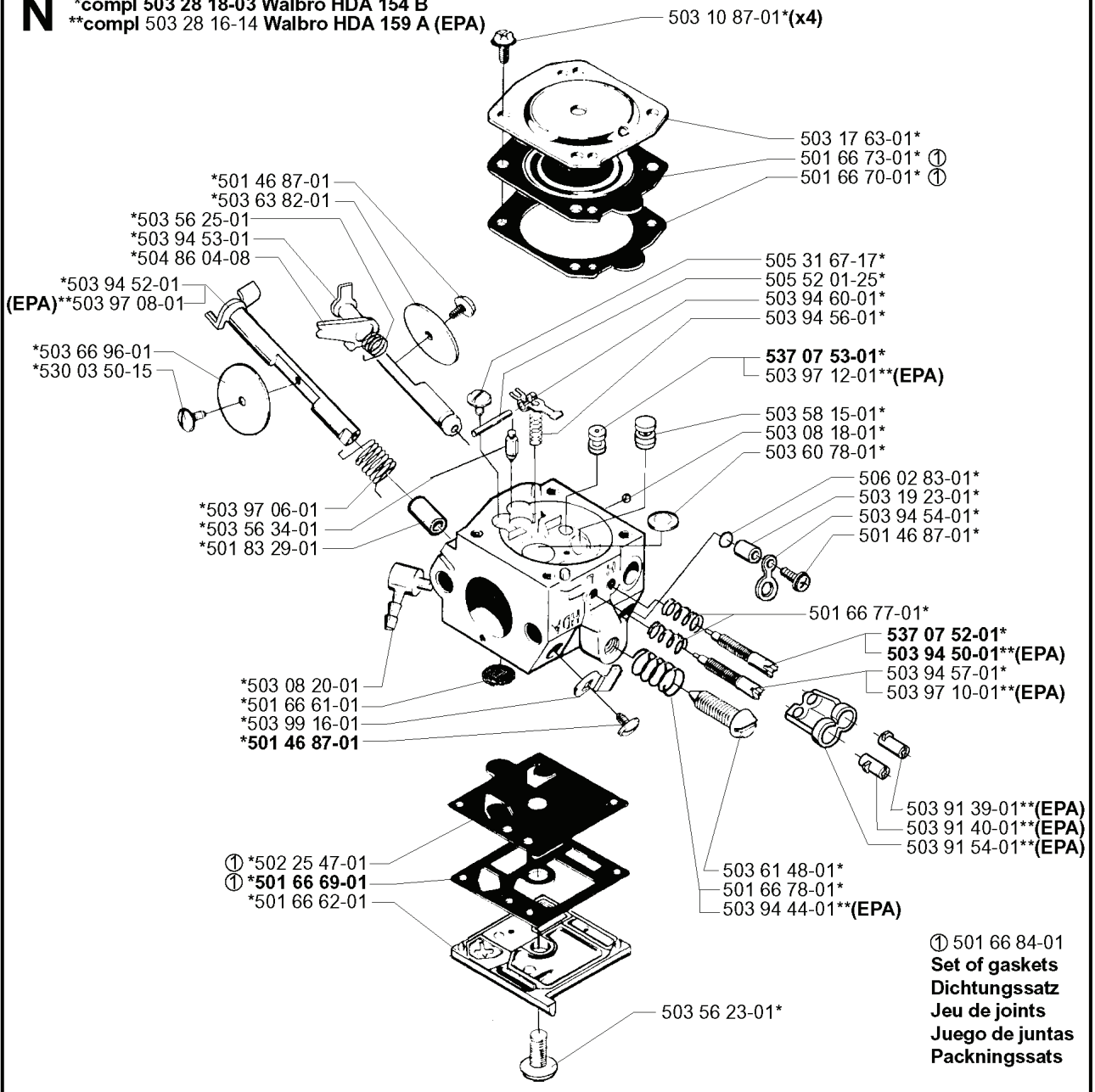
---

REF.	PART NO.	DESCRIPTION	REMARK	QTY.	KIT
5039105-01	503910501	CYLINDER COVER ASSY		1	
5032034-25	503203425	SCREW CCRPANMO		3	
5039874-01	503987401	LABEL		1	

**N**

\*compl 503 28 18-03 Walbro HDA 154 B

\*\*compl 503 28 16-14 Walbro HDA 159 A (EPA)



REF.	PART NO.	DESCRIPTION	REMARK	QTY.	KIT
503 28 18-03	503281803	CARBURETTOR	WALBRO HDA 154 B	1	
503 28 16-14	503281614	CARBURETTOR	WALBRO HDA 159 A (EPA)	1	
503 63 82-01	503638201	VALVE CHOKE		1	
503 56 25-01	503562501	SPRING		1	
503 94 53-01	503945301	SHAFT ASSY		1	
504 86 04-08	504860408	LEVER		1	
503 94 52-01	503945201	SHAFT ASSY		1	
503 97 08-01	503970801	SHAFT ASSY	EPA	1	
503 66 96-01	503669601	VALVE THROTTLE		1	
530 03 50-15	530035015	SCREW		1	
503 97 06-01	503970601	SPRING		1	
503 56 34-01	503563401	NEEDLE VALVE		1	
501 83 29-01	501832901	BUSHING		1	
503 08 20-01	503082001	FITTING		1	
501 66 61-01	501666101	SCREEN		1	
503 99 16-01	503991601	LEVER		1	
502 25 47-01	502254701	DIAPHRAGM PUMP	501 66 84-01 SET OF GASKETS	1	
501 66 69-01	501666901	GASKET	501 66 84-01 SET OF GASKETS	1	
501 66 62-01	501666201	COVER		1	
503 56 23-01	503562301	SCREW		1	
503 94 44-01	503944401	SPRING	EPA	1	
501 66 78-01	501667801	SPRING		1	
503 61 48-01	503614801	SCREW		1	
503 91 54-01	503915401	RETAINER	EPA	1	
503 91 40-01	503914001	LIMITER CAP	EPA	1	
503 91 39-01	503913901	LIMITER CAP	EPA	1	
503 97 10-01	503971001	NEEDLE	EPA	1	
503 94 57-01	503945701	NEEDLE		1	
503 94 50-01	503945001	NEEDLE	EPA	1	
537 07 52-01	537075201	NEEDLE		1	
501 66 77-01	501667701	SPRING		1	
501 46 87-01	501468701	SCREW		1	
503 94 54-01	503945401	LEVER		1	
503 19 23-01	503192301	SPACER-SHAFT-CHOKE		1	
506 02 83-01	506028301	WASHER		1	
503 60 78-01	503607801	PLUG WELCH		1	
503 08 18-01	503081801	PLUG		1	
503 58 15-01	503581501	NOZZLE ASSY		1	
503 97 12-01	503971201	JET	EPA	1	
537 07 53-01	537075301	JET		1	
503 94 56-01	503945601	SPRING		1	

---

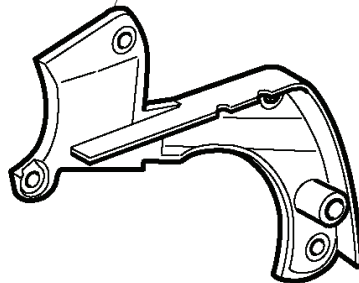
REF.	PART NO.	DESCRIPTION	REMARK	QTY.	KIT
5039460-01	503946001	LEVER		1	
5055201-25	505520125	PIN		1	
5053167-17	505316717	SCREW		1	
5016670-01	501667001	GASKET	5016684-01 SET OF GASKETS	1	
5016673-01	501667301	DIAPHRAGM	5016684-01 SET OF GASKETS	1	
5031763-01	503176301	COVER		1	
5031087-01	503108701	SCREW		4	

Q



**Up to 991499999 (1999)**

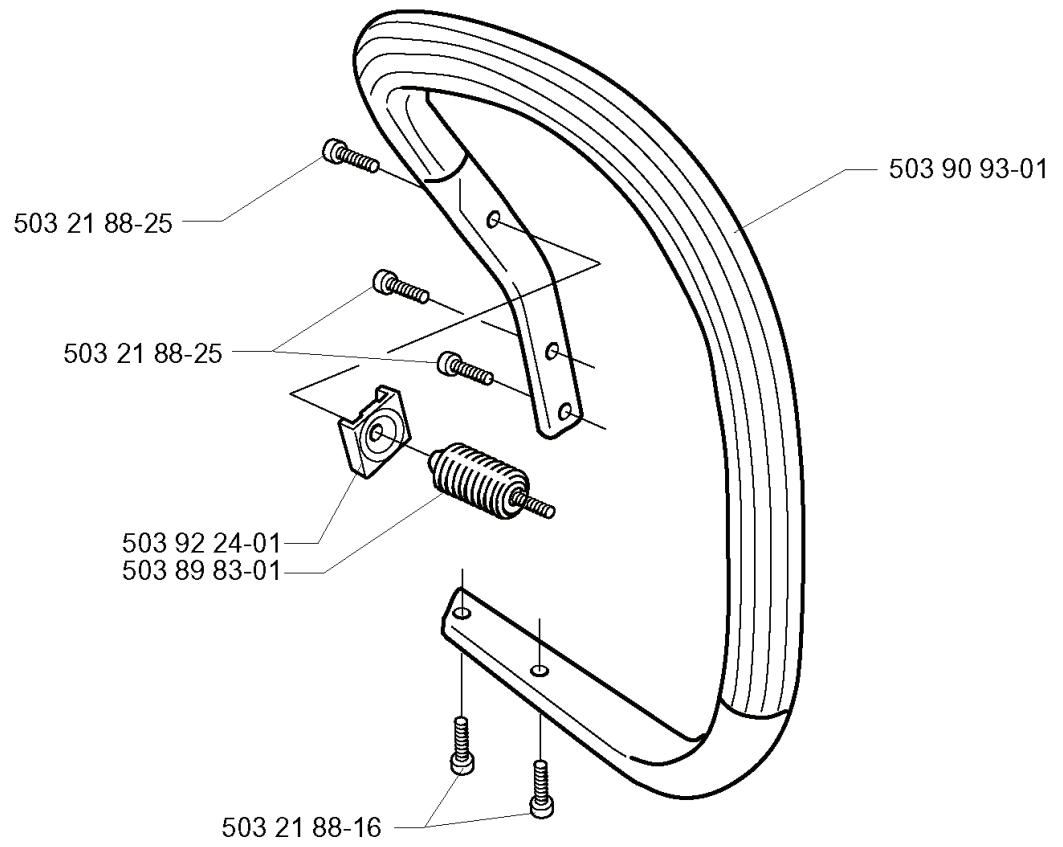
503 89 07-01



---

REF.	PART NO.	DESCRIPTION	REMARK	QTY.	KIT
503 89 07- 01	503890701	HUB CAP		1	

**K**



---

REF.	PART NO.	DESCRIPTION	REMARK	QTY.	KIT
5032188-25	503218825	SCREW IHSCFT		1	
5039224-01	503922401	SPACER		1	
5038983-01	503898301	ANTIVIBRATION ELEMENT		1	
5032188-16	503218816	SCREW IHSCFT		1	
5039093-01	503909301	HANDLE		1	

**H**

\*compl 503 85 15-02

503 88 59-01

503 21 74-12  
503 87 57-01

503 88 72-01

503 86 92-01  
503 21 51-01

503 86 93-01

503 43 65-01  
503 89 24-01

503 22 69-01 (x3)

(x2) \*503 87 54-01

\*537 04 03-01

503 21 74-12  
503 88 86-01

\*\*compl 503 86 91-01

\*\*503 88 54-01

\*\*

503 86 92-01  
503 21 51-01

\*

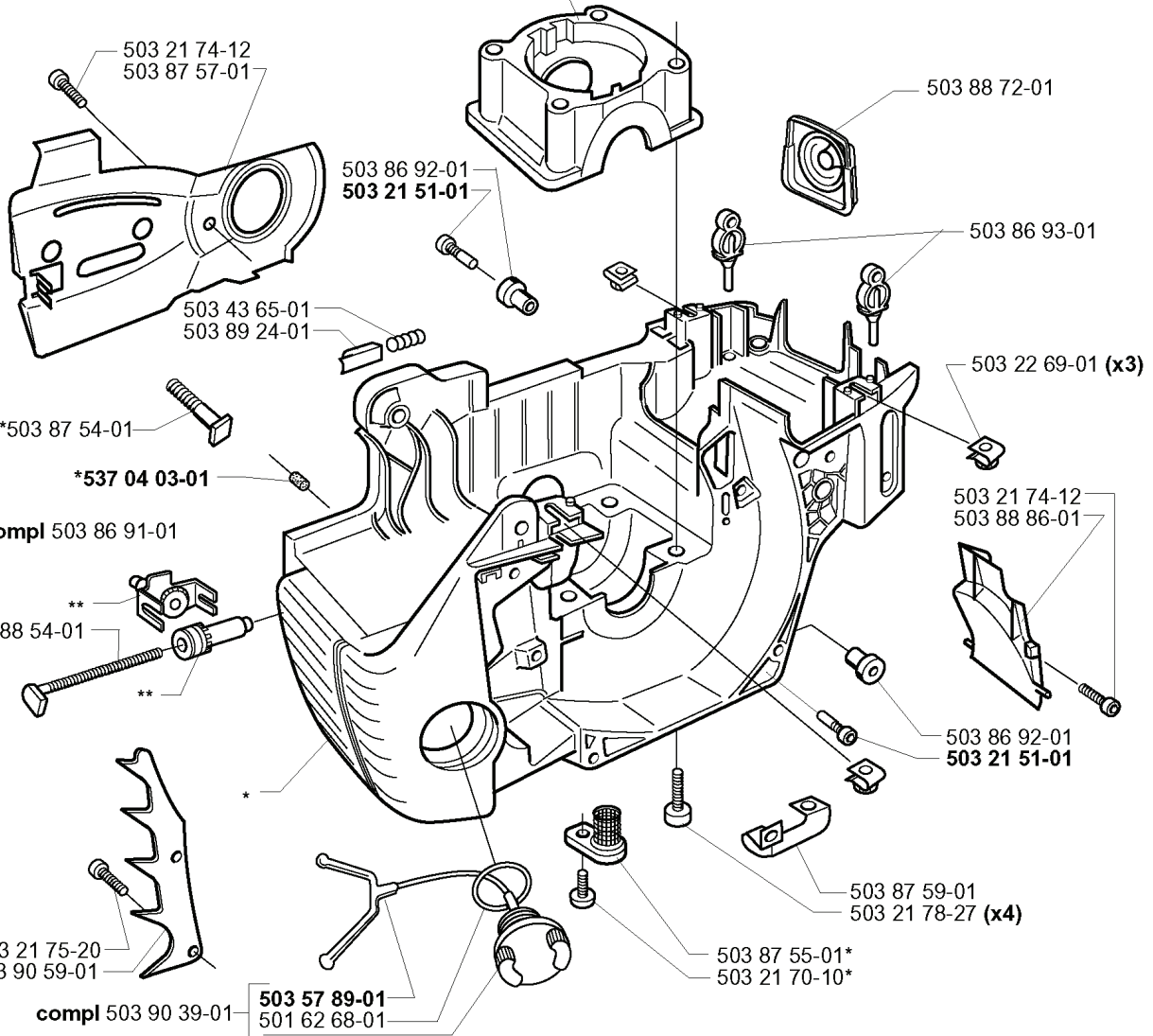
503 87 59-01  
503 21 78-27 (x4)

(x2) 503 21 75-20  
503 90 59-01

compl 503 90 39-01

503 57 89-01  
501 62 68-01

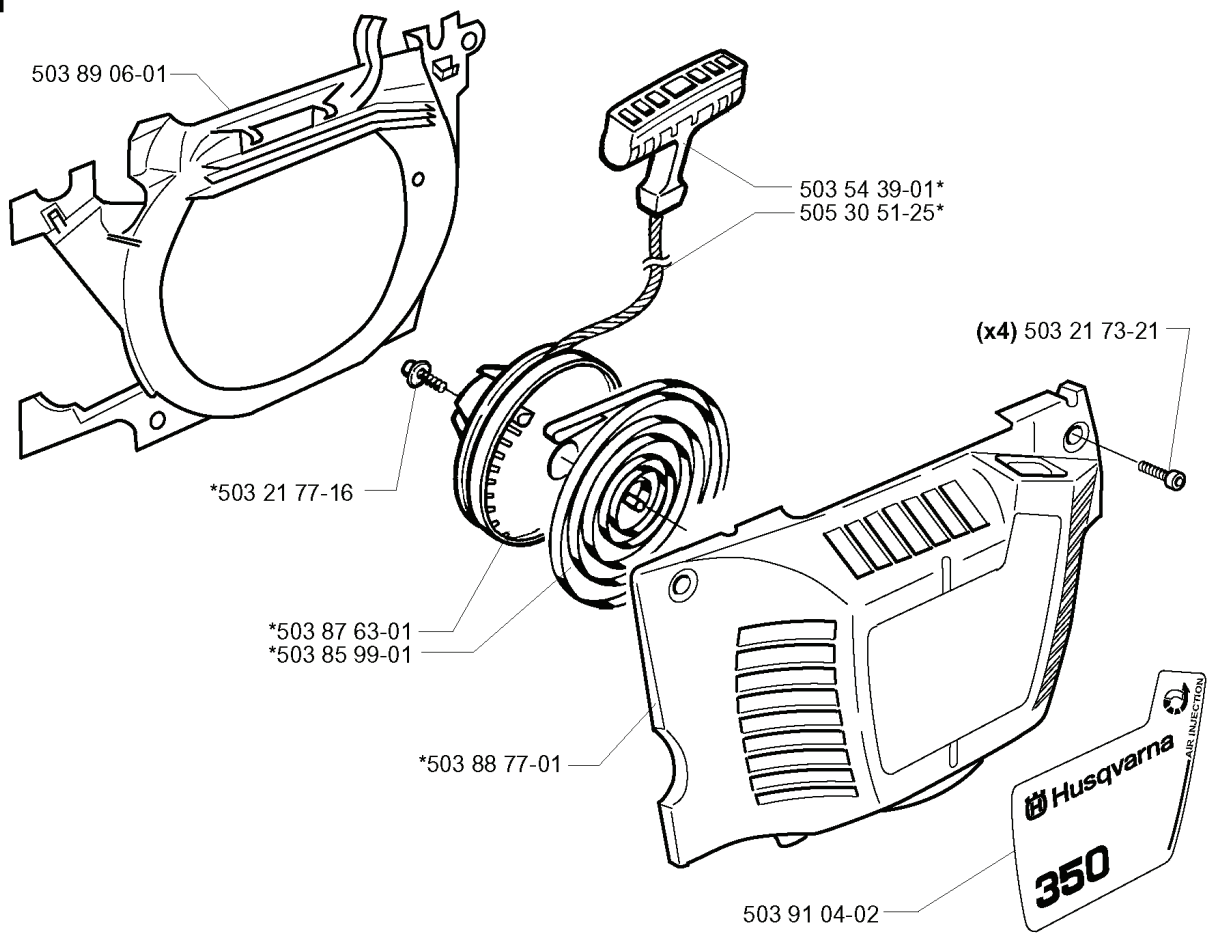
503 87 55-01\*  
503 21 70-10\*



REF.	PART NO.	DESCRIPTION	REMARK	QTY.	KIT
503 85 15-02	503851502	CRANKCASE ASSY		1	
503 21 74-12	503217412	SCREW IHSCST		1	
503 87 57-01	503875701	CHAIN GUIDE PLATE		1	
503 88 59-01	503885901	BEARING COVER		1	
503 21 51-01	503215101	SCREW IHSCST		1	
503 43 65-01	503436501	POSITION SPRING		1	
503 89 24-01	503892401	LOCK		1	
503 87 54-01	503875401	BAR BOLT		2	
537 04 03-01	537040301	VALVE		1	
503 86 91-01	503869101	CHAIN TENSIONER		1	
503 88 54-01	503885401	SCREW		1	
503 21 75-20	503217520	SCREW IHSCFT		2	
503 90 59-01	503905901	SPIKE		1	
503 90 39-01	503903901	TANK		1	
501 62 68-01	501626801	GASKET		1	
503 57 89-01	503578901	HOLDER		1	
503 21 70-10	503217010	SCREW CCRPANT		1	
503 87 55-01	503875501	OIL SCREEN		1	
503 21 78-27	503217827	SCREW IHSCST		4	
503 87 59-01	503875901	GROUND PLATE		1	
503 86 92-01	503869201	BUSHING		1	
503 88 86-01	503888601	AIR NOZZLE		1	
503 22 69-01	503226901	NUT		3	
503 86 93-01	503869301	SUPPORT		1	
503 88 72-01	503887201	BELLOWS		1	

**M**

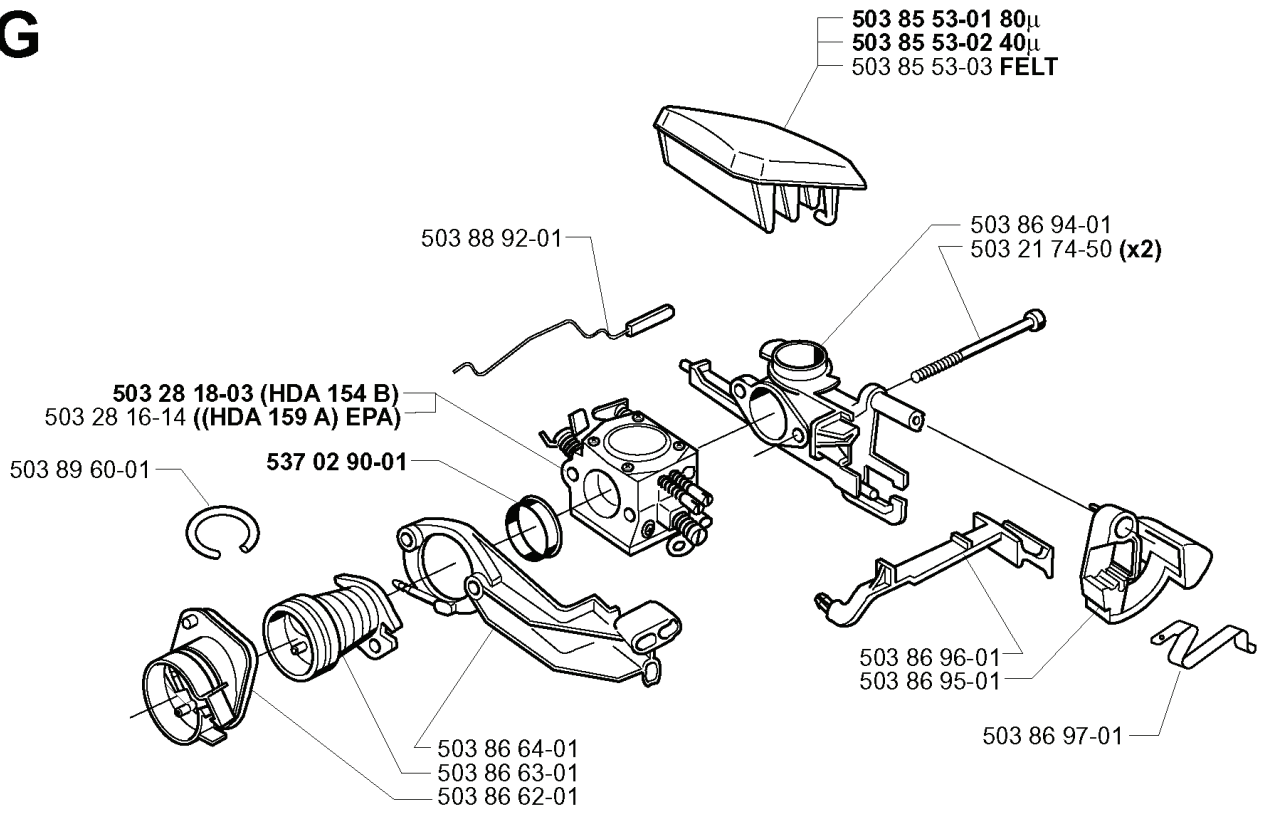
\*compl 503 88 76-01



---

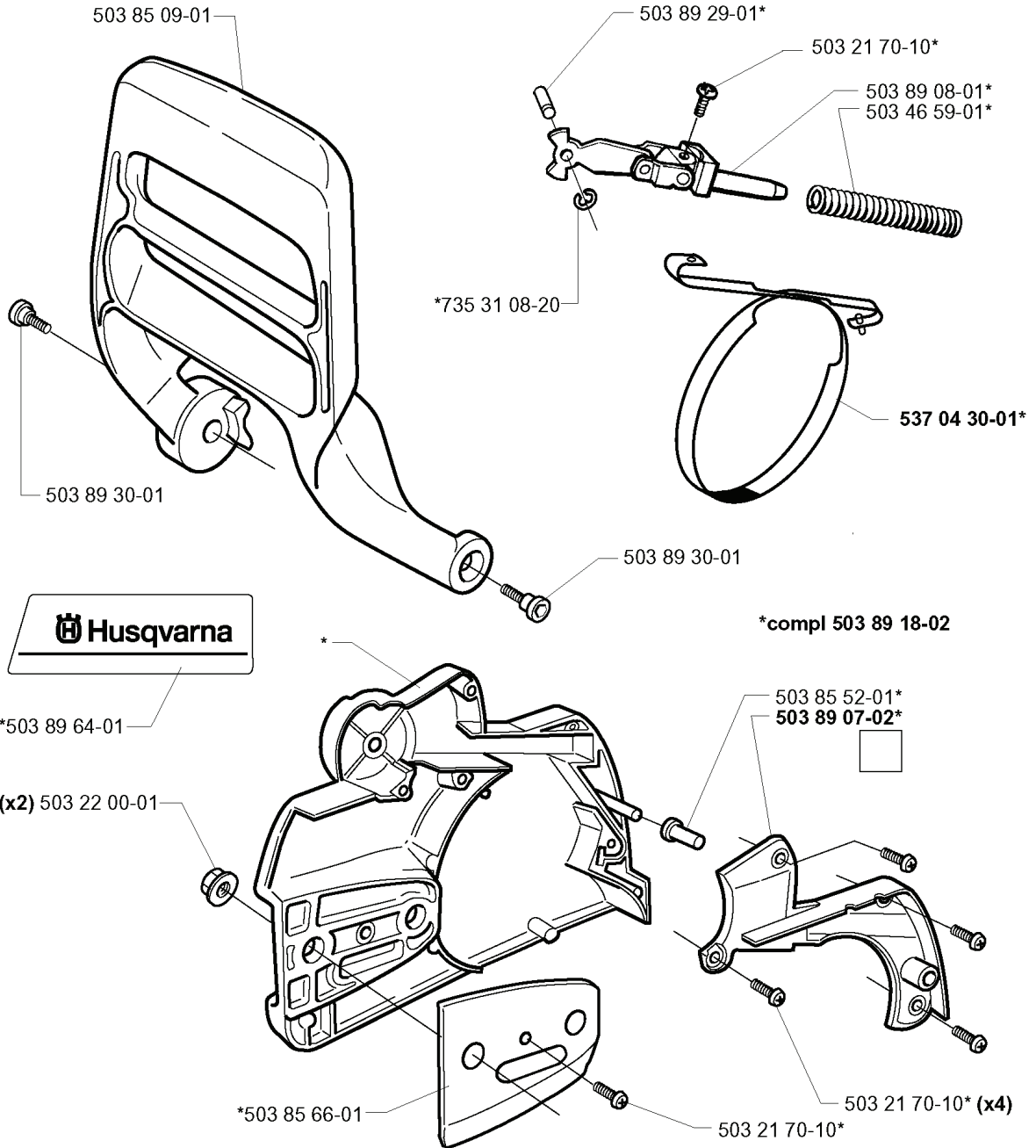
REF.	PART NO.	DESCRIPTION	REMARK	QTY.	KIT
503 88 76-01	503887601	STARTER		1	
503 89 06-01	503890601	AIR CONDUCTOR		1	
503 21 77-16	503217716	SCREW IHSCT		1	
503 87 63-01	503876301	STARTER PULLEY		1	
503 85 99-01	503859901	RECOIL SPRING		1	
503 88 77-01	503887701	STARTER HOUSING		1	
503 91 04-02	503910402	LABEL		1	
503 21 73-21	503217321	SCREW		4	
505 30 51-25	505305125	STARTER ROPE		1	
503 54 39-01	503543901	STARTER HANDLE		1	

**G**



REF.	PART NO.	DESCRIPTION	REMARK	QTY.	KIT
503 88 92-01	503889201	THROTTLE ROD		1	
503 28 18-03	503281803	CARBURETTOR	HDA 154 B	1	
503 28 16-14	503281614	CARBURETTOR	(HDA 159 A) EPA	1	
503 89 60-01	503896001	IMPULSE HOSE		1	
537 02 90-01	537029001	SUPPORT RING		1	
503 86 64-01	503866401	FLANGE		1	
503 86 63-01	503866301	BELLOWS		1	
503 86 62-01	503866201	INSULATION WALL		1	
503 86 96-01	503869601	CHOKE CONTROL		1	
503 86 95-01	503869501	STOP CONTROL		1	
503 86 97-01	503869701	SHORT CIRCUIT SPRING		1	
503 21 74-50	503217450	SCREW IHSCT		2	
503 86 94-01	503869401	INLET BEND		1	
503 85 53-03	503855303	AIR FILTER ASSY	FELT	1	
503 85 53-02	503855302	AIR FILTER ASSY		1	
503 85 53-01	503855301	AIR FILTER ASSY		1	

**A**

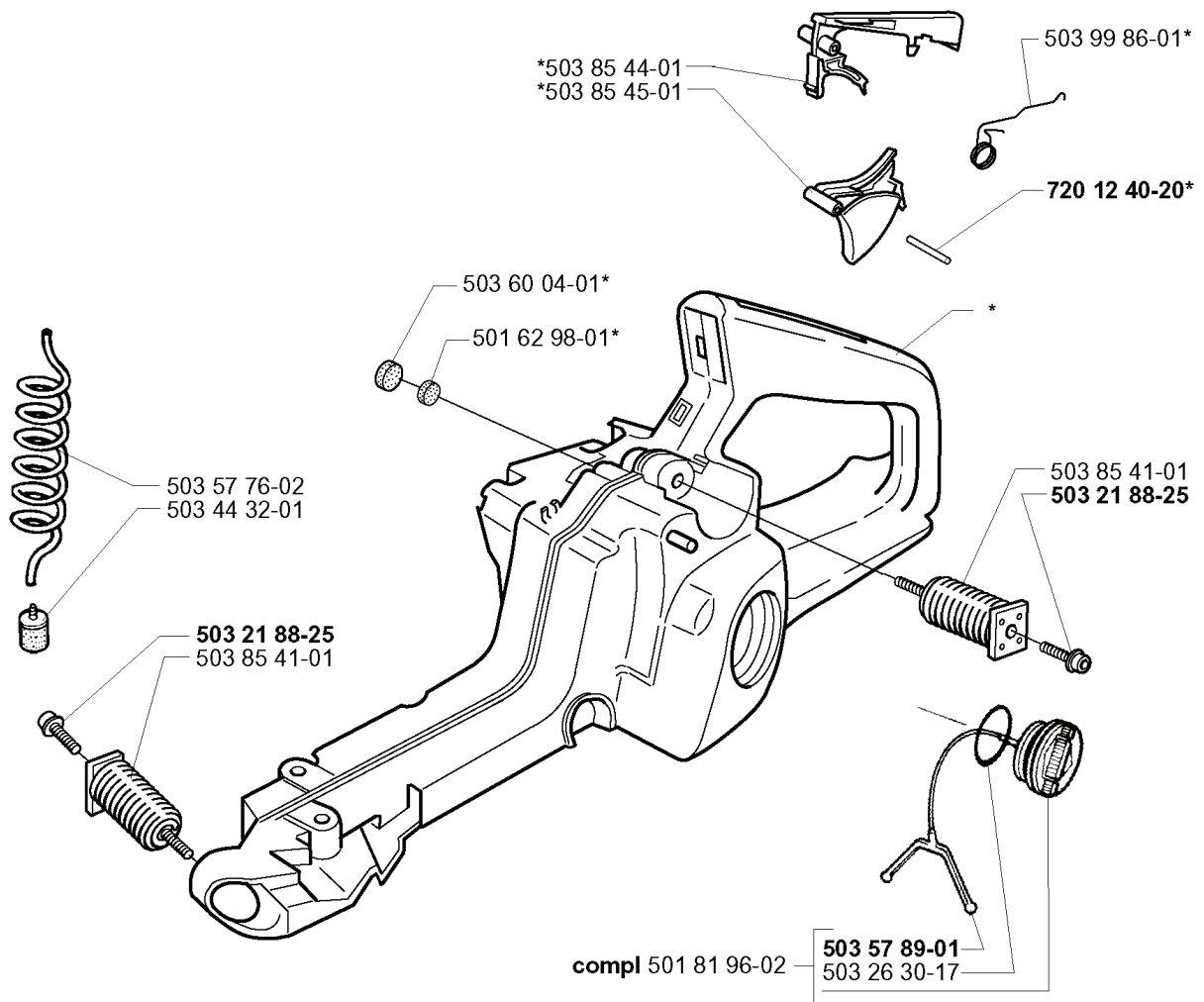


---

REF.	PART NO.	DESCRIPTION	REMARK	QTY.	KIT
503 85 09-01	503850901	HAND GUARD		1	
503 89 30-01	503893001	SCREW		1	
503 89 64-01	503896401	LABEL		1	
503 22 00-01	503220001	HEXAGON NUT		2	
503 85 66-01	503856601	COVER PLATE		1	
503 21 70-10	503217010	SCREW CCRPANT		1	
503 89 07-02	503890702	HUB CAP		1	
503 85 52-01	503855201	GUIDE BUSHING		1	
503 89 18-02	503891802	CHAIN BRAKE		1	
735 31 08-20	735310820	E-CLIP		1	
537 04 30-01	537043001	BRAKE BAND ASSY		1	
503 46 59-01	503465901	BRAKE SPRING		1	
503 89 08-01	503890801	KNEE JOINT ASSY		1	
503 89 29-01	503892901	PIN		1	

**J**

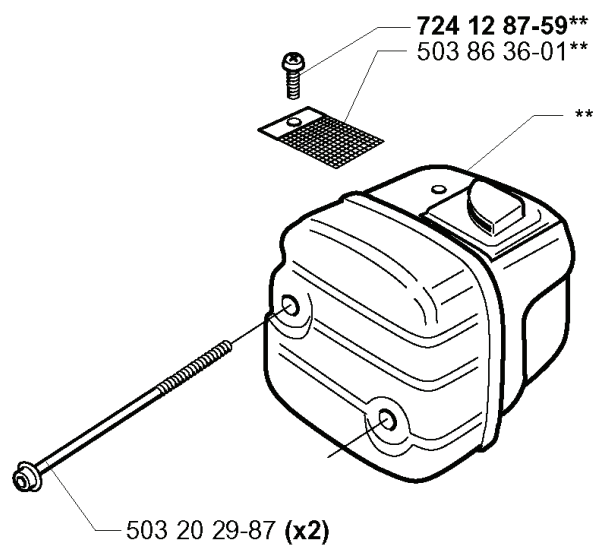
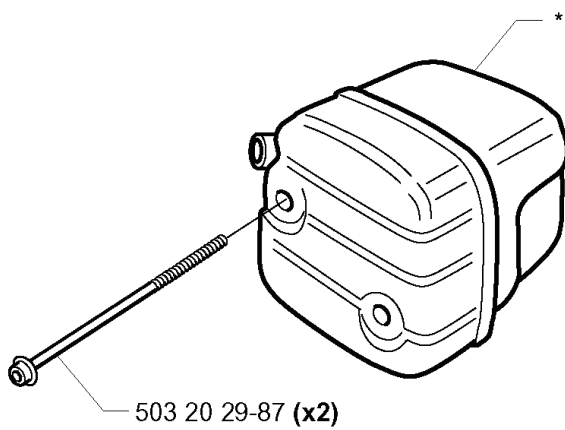
\*compl 503 86 37-71



REF.	PART NO.	DESCRIPTION	REMARK	QTY.	KIT
503 86 37-71	503863771	FUEL TANK		1	
503 85 44-01	503854401	THROTTLE LOCKOUT		1	
503 85 45-01	503854501	TRIGGER		1	
503 60 04-01	503600401	FILTER PLUG		1	
501 62 98-01	501629801	VALVE PLUG		1	
503 57 76-02	503577602	FUEL HOSE		1	
503 44 32-01	503443201	FUEL FILTER		1	
503 21 88-25	503218825	SCREW IHSCFT		1	
503 85 41-01	503854101	ANTIVIBRATION ELEMENT		1	
501 81 96-02	501819602	TANK CAP ASSY		1	
503 26 30-17	503263017	O-RING		1	
503 57 89-01	503578901	HOLDER		1	
720 12 40-20	720124020	PARALLEL PIN		1	
503 99 86-01	503998601	RECOIL SPRING		1	

**F**

\*compl 503 86 27-02 (EU)  
\*\*compl 503 86 28-02 (DF)

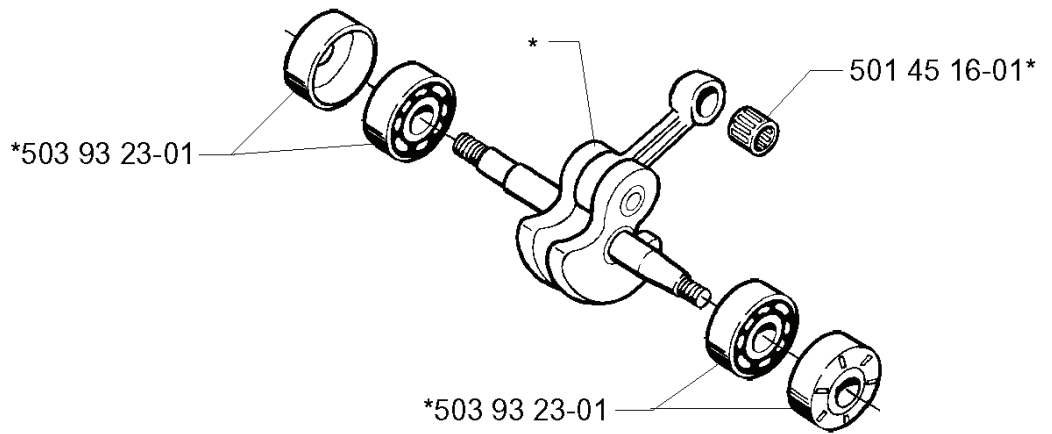


---

REF.	PART NO.	DESCRIPTION	REMARK	QTY.	KIT
503 86 27-02	503862702	MUFFLER ASSY	EU	1	
503 86 28-02	503862802	MUFFLER ASSY	DF	1	
503 20 29-87	503202987	SCREW IHSCFM		2	
503 86 36-01	503863601	SPARK ARRESTER SCREEN		1	
724 12 87-59	724128759	SCREW CRPANM		1	

**E**

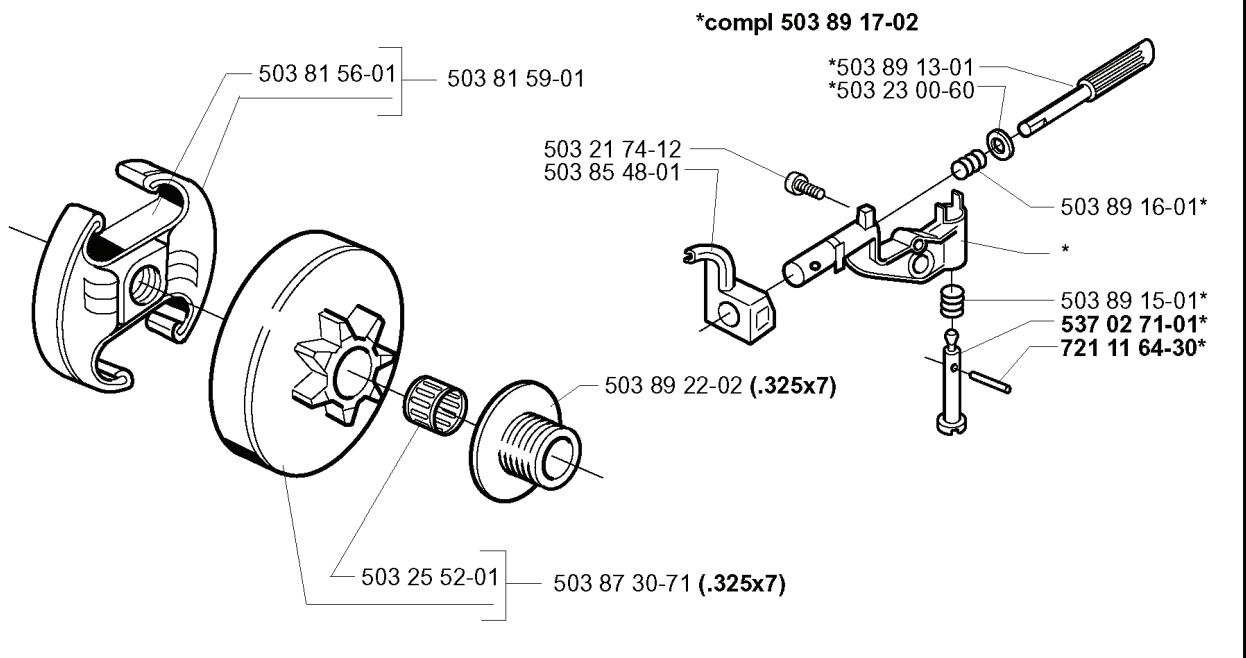
**\*compl 503 85 80-71**



---

REF.	PART NO.	DESCRIPTION	REMARK	QTY.	KIT
503 85 80-71	503858071	CRANKSHAFT		1	
503 93 23-01	503932301	BEARING CAGE		1	
501 45 16-01	501451601	NEEDLE BEARING		1	

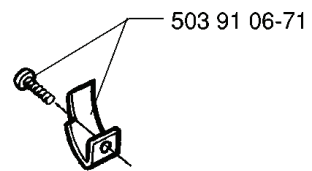
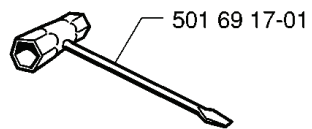
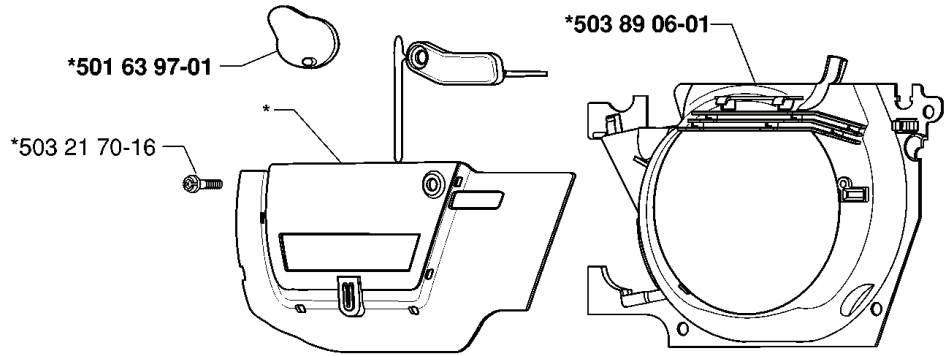
**B**



REF.	PART NO.	DESCRIPTION	REMARK	QTY.	KIT
5038156-01	503815601	CLUTCH SPRING		1	
5038159-01	503815901	CLUTCH ASSY		1	
5032174-12	503217412	SCREW IHSCT		1	
5038548-01	503854801	SEALING		1	
5038922-02	503892202	PUMP PINION	.325X7	1	
5032552-01	503255201	NEEDLE BEARING		1	
5038730-71	503873071	CLUTCH DRUM	.325X7	1	
7211164-30	721116430	GROOVED PIN		1	
5370271-01	537027101	ADJUSTER		1	
5038915-01	503891501	SPRING		1	
5038916-01	503891601	SPRING		1	
5032300-60	503230060	WASHER		1	
5038913-01	503891301	PUMP PISTON		1	
5038917-02	503891702	OIL PUMP		1	

**P**

\*compl 537 04 28-71 WINTER KIT



---

REF.	PART NO.	DESCRIPTION	REMARK	QTY.	KIT
5370428-71	537042871	KIT	WINTER KIT	1	
5016397-01	501639701	COVER		1	
5032170-16	503217016	SCREW CCRPANT		1	
5016917-01	501691701	COMBINATION WRENCH		1	
5039106-71	503910671	KIT		1	
5038906-01	503890601	AIR CONDUCTOR		1	

**D**

**\*compl 503 86 99-71**

**RCJ 7Y**  
503 23 51-08  
**(x4)** 503 21 74-25

503 66 54-01

503 97 13-01  
503 86 25-01

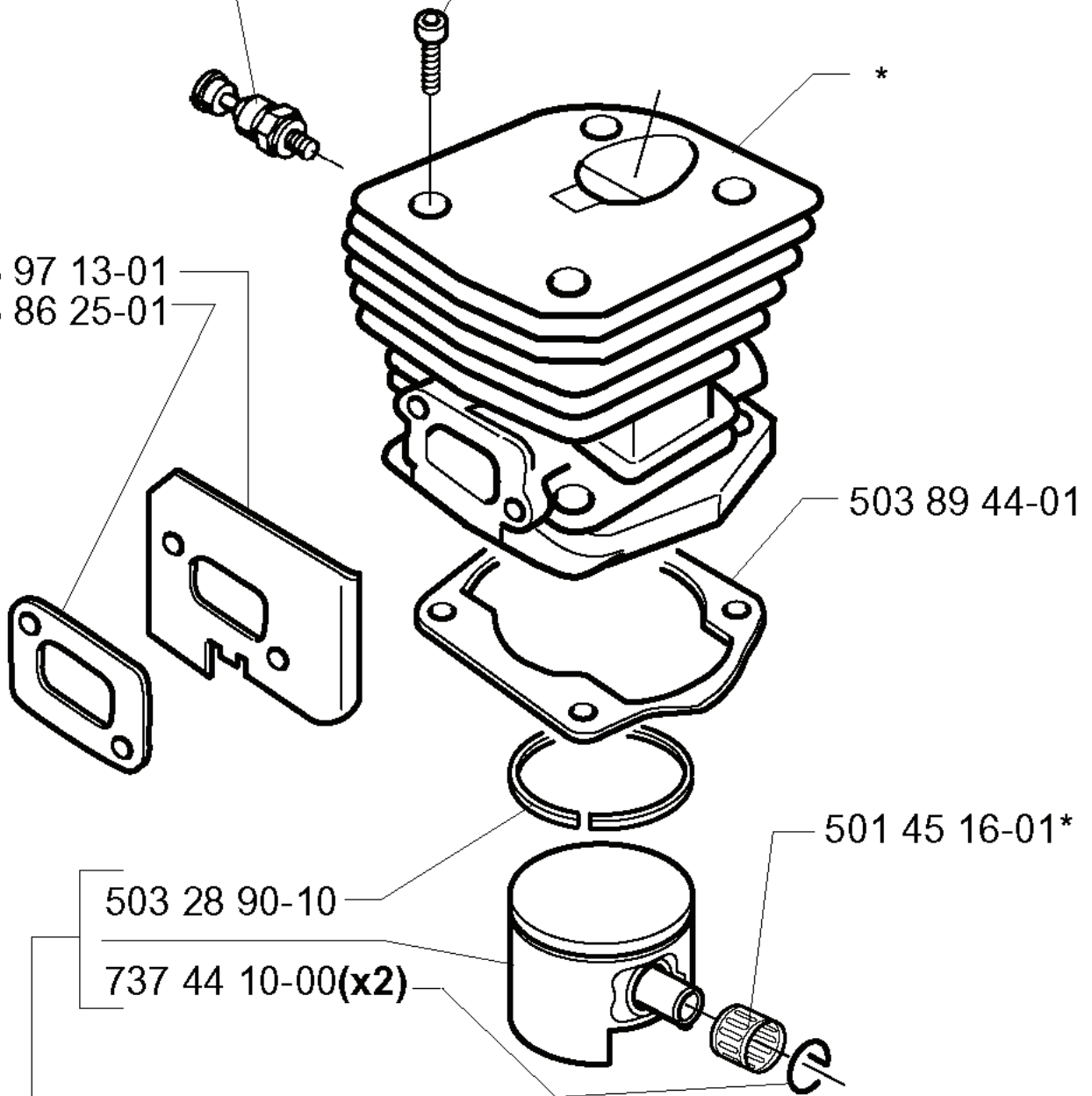
503 89 44-01

501 45 16-01\*

503 28 90-10

737 44 10-00(x2)

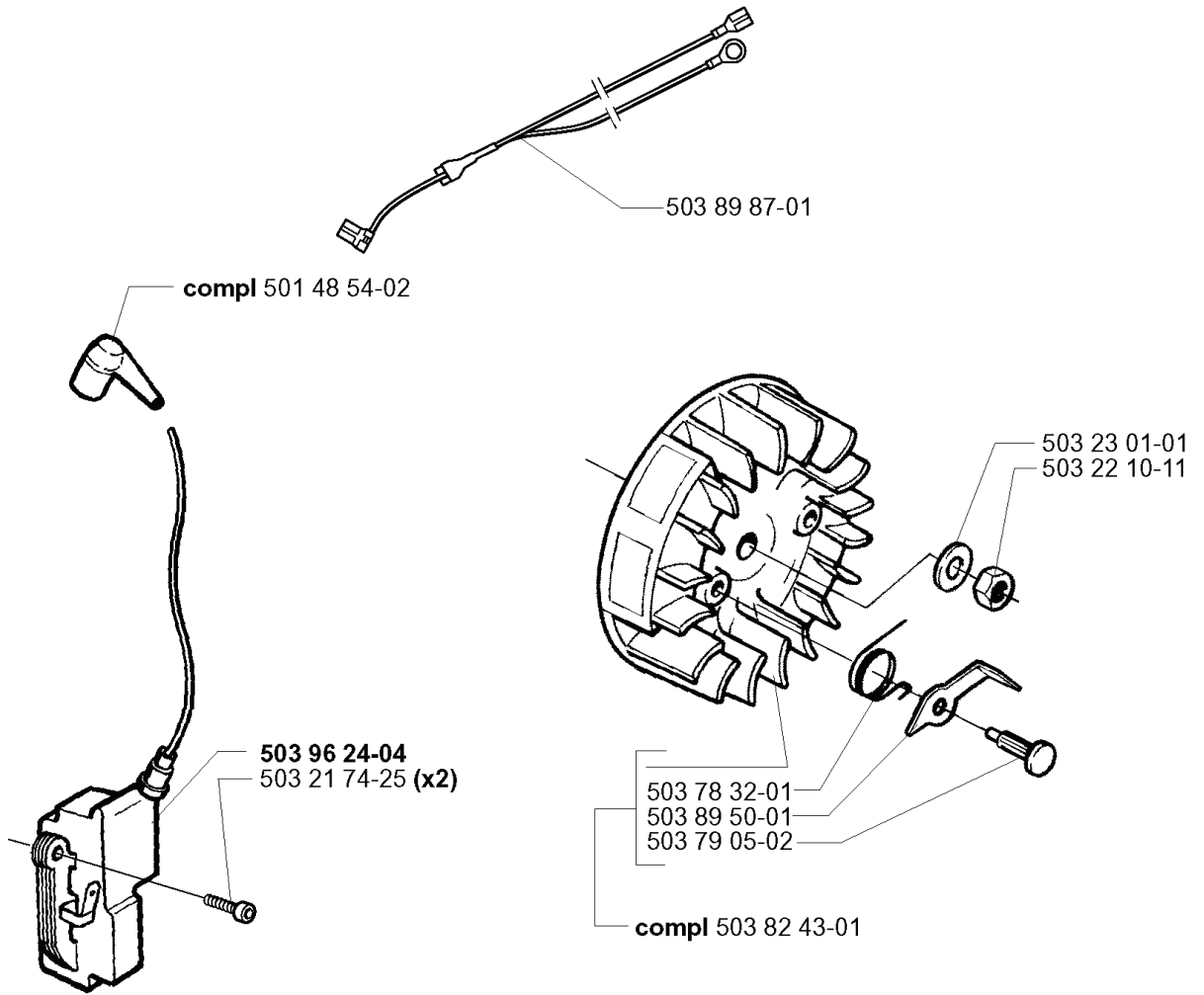
**compl 503 89 96-71\***



---

REF.	PART NO.	DESCRIPTION	REMARK	QTY.	KIT
503 86 99-71	503869971	CYLINDER ASSY		1	
503 23 51-08	503235108	SPARK PLUG	RCJ 7Y	1	
503 21 74-25	503217425	SCREW IHSCT		4	
503 66 54-01	503665401	DECOMPRESSION VALVE		1	
503 97 13-01	503971301	HEAT DEFLECTOR		1	
503 86 25-01	503862501	GASKET		1	
503 28 90-10	503289010	PISTON RING		1	
737 44 10-00	737441000	SNAP RING		2	
503 89 96-71	503899671	PISTON ASSY		1	
501 45 16-01	501451601	NEEDLE BEARING		1	
503 89 44-01	503894401	GASKET		1	

L



---

REF.	PART NO.	DESCRIPTION	REMARK	QTY.	KIT
5014854-02	501485402	SPARK PLUG CAP		1	
5039624-04	503962404	ELECTRONIC MODULE		1	
5032174-25	503217425	SCREW IHSCT		2	
5038243-01	503824301	FLYWHEEL		1	
5037905-02	503790502	RIVET		1	
5038950-01	503895001	STARTER PAWL		1	
5037832-01	503783201	SPRING		1	
5032210-11	503221011	HEXAGON NUT		1	
5032301-01	503230101	WASHER		1	
5038987-01	503898701	WIRING ASSY		1	