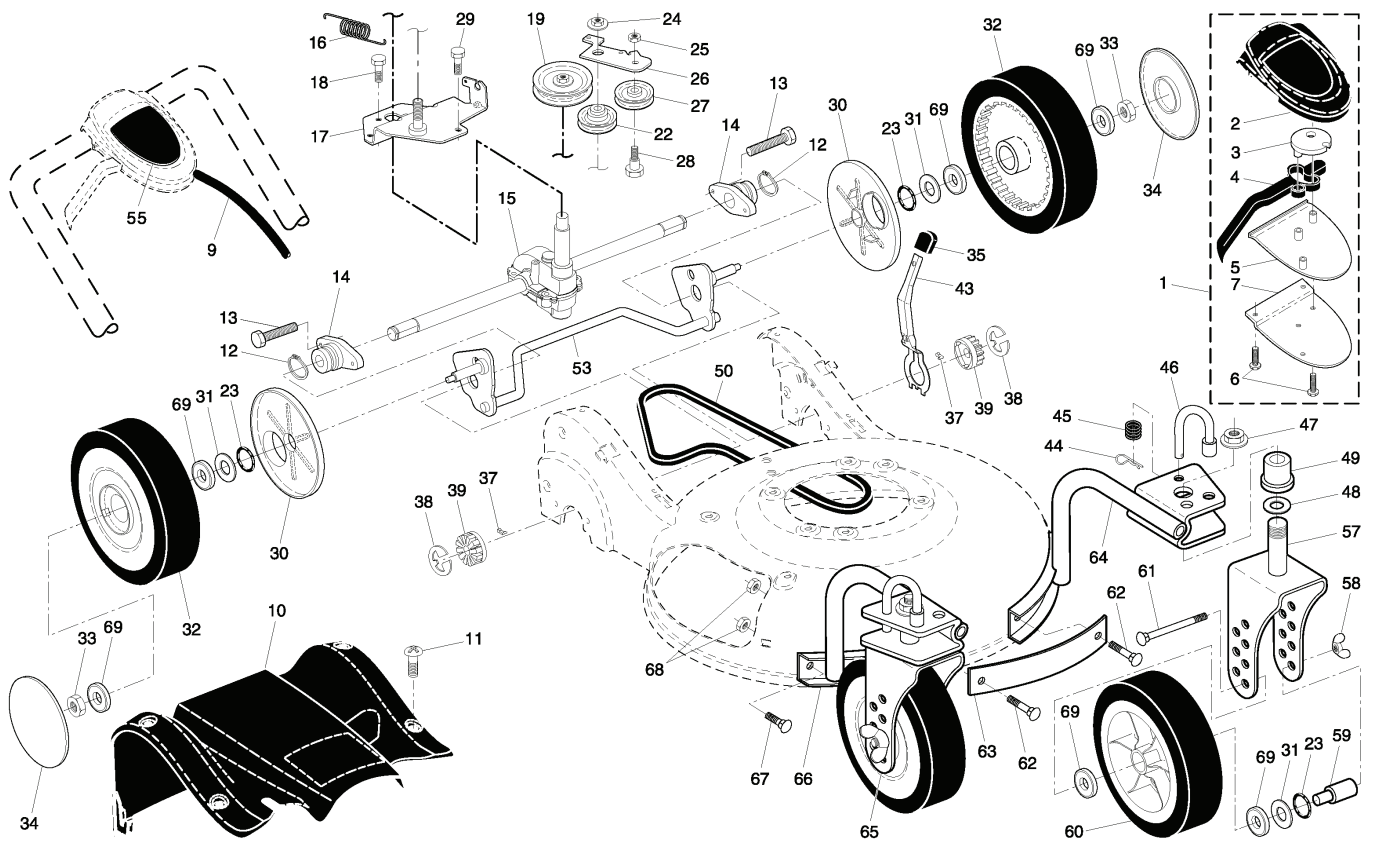


R152SVSW, 96141006403, 961410064, 2008

SPARE PARTS LIST

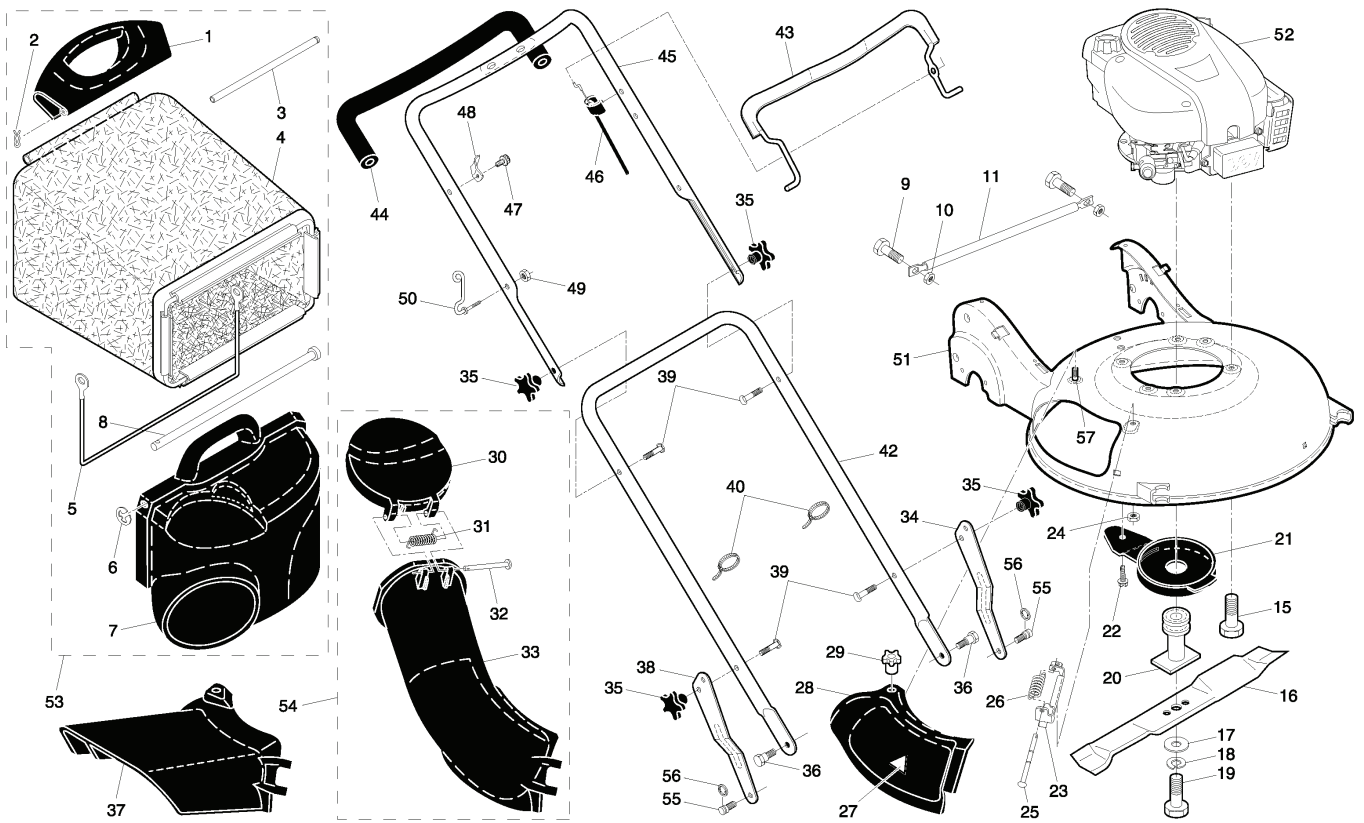
ROTARY LAWN MOWER - - MODEL NUMBER **R152SVSW** (96141006403) PRODUCT NUMBER 961 41 00-64



| REF. | PART NO. | DESCRIPTION | REMARK | QTY. | KIT |
|------|-----------|-------------------------|--------|------|-----|
| 1 | 532197012 | CONTROL | | 1 | |
| 2 | 532411673 | COVER | | 1 | |
| 3 | 532187353 | DISC | | 1 | |
| 4 | 532190037 | ARM | | 1 | |
| 5 | 532411664 | COVER | | 1 | |
| 6 | 532181698 | SCREW | | 1 | |
| 7 | 532400723 | BRACKET | | 1 | |
| 9 | 532197011 | CABLE | | 1 | |
| 10 | 532416963 | DRIVE COVER | | 1 | |
| 11 | 532194188 | SCREW | | 1 | |
| 12 | 812000012 | RETAINER RING | | 1 | |
| 13 | 532088652 | SCREW | | 1 | |
| 14 | 532408027 | BEARING | | 1 | |
| 15 | 532408029 | GEARBOX ASSY | | 1 | |
| 16 | 532406558 | SPRING | | 1 | |
| 17 | 532408005 | BELT | | 1 | |
| 18 | 532163409 | SCREW | | 1 | |
| 19 | 532194018 | PULLEY | | 1 | |
| 22 | 532193791 | PULLEY | | 1 | |
| 23 | 532188152 | O-RING | | 1 | |
| 24 | 532409149 | NUT | | 1 | |
| 25 | 873930500 | NUT | | 1 | |
| 26 | 532416736 | ARM | | 1 | |
| 27 | 532166043 | PULLEY | | 1 | |
| 28 | 532160829 | BOLT | | 1 | |
| 29 | 817060410 | SCREW | | 1 | |
| 30 | 532183457 | SHIELD | | 1 | |
| 31 | 532088348 | WASHER | | 1 | |
| 32 | 532192622 | WHEEL | | 1 | |
| 33 | 532409148 | NUT | | 1 | |
| 34 | 532183442 | RADKAPPE | | 1 | |
| 35 | 532185994 | KNOB | | 1 | |
| 37 | 532404845 | PAWL DRIVE | | 1 | |
| 38 | 812000058 | E-CLIP | | 1 | |
| 39 | 532403849 | PINION | | 1 | |
| 43 | 532190520 | LEVER | | 1 | |
| 44 | 532169675 | PIN | | 1 | |
| 45 | 532185051 | SPRING | | 1 | |
| 46 | 532185054 | ROD | | 1 | |
| 47 | 532187247 | NUT | | 1 | |
| 48 | 532188906 | VALVE DE VIDANGE MOTEUR | | 1 | |
| 49 | 532195996 | BUSHER | | 1 | |
| 50 | 532408031 | BELT | | 1 | |
| 53 | 532416740 | REAR AXLE | | 1 | |
| 55 | 532416958 | DECAL | | 1 | |
| 57 | 532417063 | WHEEL BRACKET | | 1 | |
| 58 | 532187248 | WING NUT | | 1 | |
| 59 | 532185111 | SPACER | | 1 | |
| 60 | 532192234 | WHEEL | | 1 | |
| 61 | 872270528 | BOLT | | 1 | |
| 62 | 532187474 | BOLT | | 1 | |
| 63 | 532188475 | STRAP | | 1 | |
| 64 | 532414070 | PIVOT WHEEL SUPPORT | | 1 | |
| 65 | 532417064 | WHEEL BRACKET | | 1 | |
| 66 | 532414069 | PIVOT WHEEL SUPPORT | | 1 | |
| 67 | 532187555 | BOLT | | 1 | |
| 68 | 532187263 | NUT | | 1 | |
| 69 | 532751068 | BEARING | | 1 | |

| REF. | PART NO. | DESCRIPTION | REMARK | QTY. | KIT |
|------|-----------|------------------------|--------|------|-----|
| 1 | 532412736 | CASE | | 1 | |
| 2 | 532413269 | SHAFT | | 1 | |
| 3 | 532183508 | SEAL, OUTPUT SHAFT | | 1 | |
| 4 | 532183511 | BUSHING | | 1 | |
| 5 | 532183509 | WASHER | | 1 | |
| 6 | 532183514 | SEAL, INPUT SHAFT | | 1 | |
| 7 | 532183506 | BALL BEARING | | 1 | |
| 8 | 532412742 | GEAR | | 1 | |
| 9 | 532412739 | FIXED DOG CLUTCH LH | | 1 | |
| 10 | 532412741 | PIN 7 33732 | | 1 | |
| 11 | 532412740 | MOVEABLE DOG CLUTCH LH | | 1 | |
| 12 | 532413268 | SHAFT | | 1 | |
| 13 | 532183513 | SCREW | | 1 | |
| 14 | 532412747 | CASE | | 1 | |
| 15 | 532412746 | PIN 3.50.337 | | 1 | |
| 16 | 532412744 | FIXED DOG CLUTCH RH | | 1 | |
| 17 | 532412743 | CLUTCH | | 1 | |
| 18 | 532410731 | SPRING | | 1 | |
| 19 | 532413267 | SHAFT | | 1 | |

ROTARY LAWN MOWER -- MODEL NUMBER R152SVSW (96141006403) PRODUCT NUMBER 961 41 00-64



| REF. | PART NO. | DESCRIPTION | REMARK | QTY. | KIT |
|------|-----------|------------------|--------|------|-----|
| 1 | 532190582 | HANDLE | | 1 | |
| 2 | 532065322 | CLAMP | | 1 | |
| 3 | 532183483 | PIN | | 1 | |
| 4 | 532401898 | BOX | | 1 | |
| 5 | 532188506 | FRAME | | 1 | |
| 6 | 812000014 | RETAINER RING | | 1 | |
| 7 | 532190581 | BAG | | 1 | |
| 8 | 532183479 | PIN | | 1 | |
| 9 | 872140405 | BOLT | | 1 | |
| 10 | 873800400 | NUT | | 1 | |
| 11 | 532190692 | PIPE | | 1 | |
| 15 | 532150406 | BOLT | | 1 | |
| 16 | 532415076 | BLADE | | 1 | |
| 17 | 532851074 | WASHER | | 1 | |
| 18 | 532850263 | WASHER | | 1 | |
| 19 | 532191760 | SCREW | | 1 | |
| 20 | 532186766 | ADAPTER | | 1 | |
| 21 | 532190516 | SHIELD | | 1 | |
| 22 | 817600406 | SCREW | | 1 | |
| 23 | 532183609 | BRACKET | | 1 | |
| 24 | 532191730 | NUT | | 1 | |
| 25 | 532183445 | PIN | | 1 | |
| 26 | 532183446 | SPRING | | 1 | |
| 27 | 532182166 | DECAL | | 1 | |
| 28 | 532190515 | PLATE | | 1 | |
| 29 | 532183447 | KNOB | | 1 | |
| 30 | 532190580 | PLATE | | 1 | |
| 31 | 532183478 | SPRING | | 1 | |
| 32 | 532183445 | PIN | | 1 | |
| 33 | 532190578 | PIPE | | 1 | |
| 34 | 532190619 | BRACKET | | 1 | |
| 35 | 532185588 | KNOB | | 1 | |
| 36 | 532194187 | BOLT | | 1 | |
| 37 | 532185996 | DEFLECTOR | | 1 | |
| 38 | 532190621 | BRACKET | | 1 | |
| 39 | 532191574 | SCREW | | 1 | |
| 40 | 532066426 | HOOP | | 1 | |
| 42 | 532187096 | HANDLE | | 1 | |
| 43 | 532186298 | LEVER | | 1 | |
| 44 | 532182748 | HANDLE | | 1 | |
| 45 | 532186296 | HANDLE | | 1 | |
| 46 | 532408885 | CABLE | | 1 | |
| 47 | 532750634 | SCREW | | 1 | |
| 48 | 532125203 | BRACKET | | 1 | |
| 49 | 532132004 | NUT | | 1 | |
| 50 | 532188501 | LEVER | | 1 | |
| 51 | 532419389 | HOUSING | | 1 | |
| 53 | 532401896 | BAG | | 1 | |
| 54 | 532189014 | PIPE | | 1 | |
| 56 | 812000058 | E-CLIP | | 1 | |
| 57 | 532194192 | STUD | | 1 | |
| - | 532182134 | DECALC."WARNING" | | 1 | |