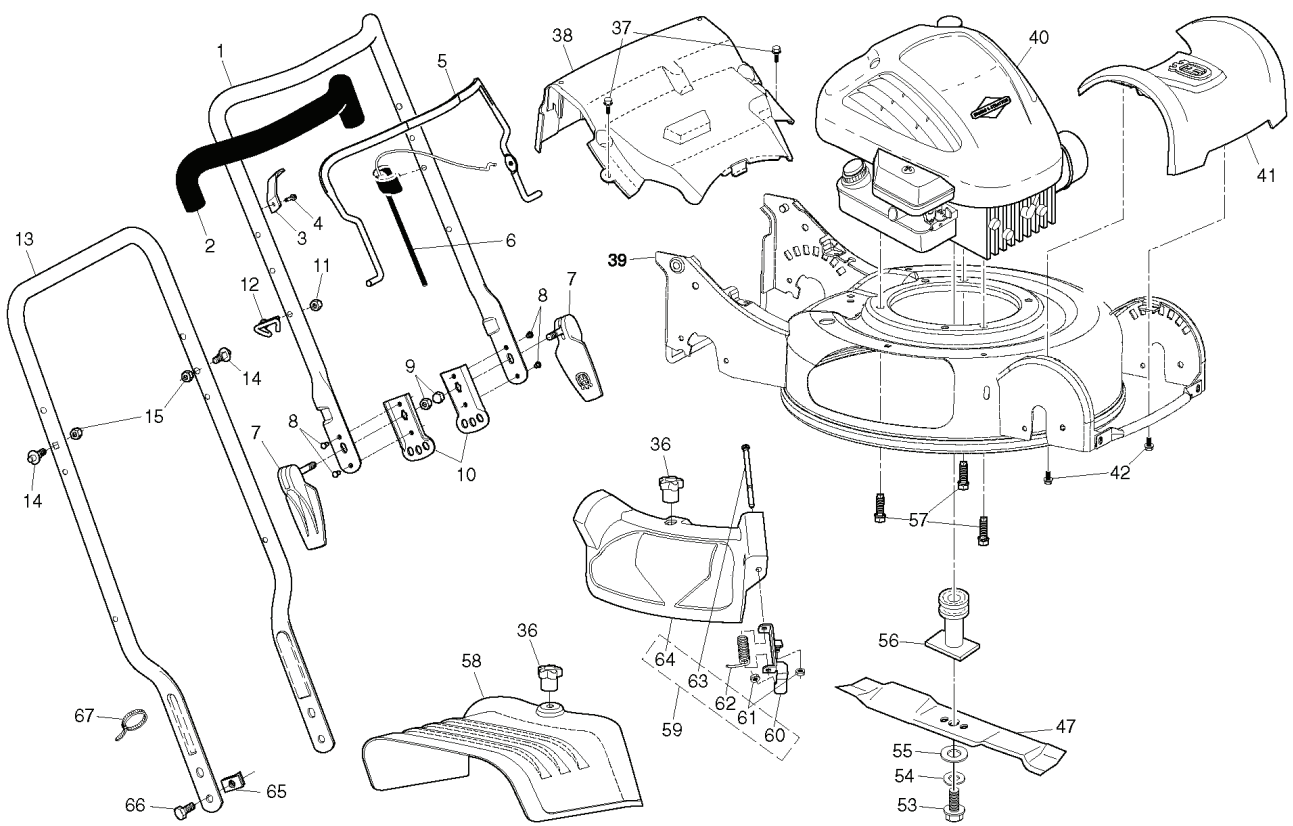


M145, 96131002701, 2009-09

SPARE PARTS LIST

| REF. | PART NO. | DESCRIPTION | REMARK | QTY. | KIT |
|------|-----------|---------------|--------|------|-----|
| 6 | 812000012 | RETAINER RING | | 1 | |
| 7 | 532199245 | AXLE | | 1 | |
| 12 | 532163409 | SCREW | | 1 | |
| 18 | 532409148 | NUT | | 1 | |
| 20 | 532400100 | NUT | | 1 | |
| 21 | 872110404 | BOLT | | 1 | |
| 22 | 532413519 | LEVER | | 1 | |
| 23 | 532167653 | KNOB | | 1 | |
| 24 | 532169675 | PIN | | 1 | |
| 25 | 532413582 | LEVER | | 1 | |
| 27 | 532410831 | WHEEL | | 1 | |
| 28 | 532088348 | WASHER | | 1 | |
| 29 | 532197480 | O-RING | | 1 | |
| 30 | 532413520 | BEARING | | 1 | |
| 31 | 532413580 | AXLE | | 1 | |
| 32 | 532400094 | CONNECTION | | 1 | |
| 33 | 532413727 | AXLE | | 1 | |
| 42 | 532199912 | DECAL | | 1 | |
| 43 | 532182166 | DECAL | | 1 | |
| 58 | 872110407 | BOLT | | 1 | |
| 61 | 532850263 | WASHER | | 1 | |



| REF. | PART NO. | DESCRIPTION | REMARK | QTY. | KIT |
|------|-----------|-------------------|--------------------|------|-----|
| 2 | 532186362 | GRIP, FOAM | | 1 | |
| 1 | 532400604 | HANDLE | | 1 | |
| 3 | 532430034 | BRACKET | | 1 | |
| 4 | 532750634 | SCREW | | 1 | |
| 5 | 532426812 | BAR | | 1 | |
| 6 | 532408047 | CABLE | | 1 | |
| 7 | 532413507 | KNOB | | 1 | |
| 8 | 532199697 | RIVET | | 1 | |
| 9 | 532400413 | NUT | | 1 | |
| 10 | 532413534 | BRACKET | | 1 | |
| 11 | 532132004 | NUT | | 1 | |
| 12 | 532194788 | GUIDE | | 1 | |
| 13 | 532413535 | HANDLE | | 1 | |
| 14 | 532199255 | PEN | | 1 | |
| 15 | 532751153 | NUT | | 1 | |
| 36 | 532183447 | KNOB | | 1 | |
| 37 | 532199422 | SCREW | | 1 | |
| 38 | 532413513 | DRIVE COVER | | 1 | |
| 39 | 532410948 | OPERATOR'S MANUAL | | 1 | |
| 40 | 000000000 | W/O DESCRIPTION | B&S 10T802-1228-EA | 1 | |
| 41 | 532413581 | FRONT COVER | | 1 | |
| 42 | 532194189 | SCREW | | 1 | |
| 47 | 532199222 | BLADE | | 1 | |
| 53 | 532191760 | SCREW | | 1 | |
| 54 | 532850263 | WASHER | | 1 | |
| 55 | 532851074 | WASHER | | 1 | |
| 56 | 532407138 | ADAPTER | | 1 | |
| 57 | 532150406 | BOLT | | 1 | |
| 58 | 532425130 | GUARD | | 1 | |
| 59 | 532409314 | HOUSING | | 1 | |
| 60 | 532199268 | BRACKET | | 1 | |
| 61 | 532191730 | NUT | | 1 | |
| 62 | 532183446 | SPRING | | 1 | |
| 63 | 532183445 | PIN | | 1 | |
| 64 | 532413518 | HOUSING | | 1 | |
| 65 | 532404008 | NUT | | 1 | |
| 66 | 532850999 | BOLT | | 1 | |
| 67 | 532066426 | HOOP | | 1 | |