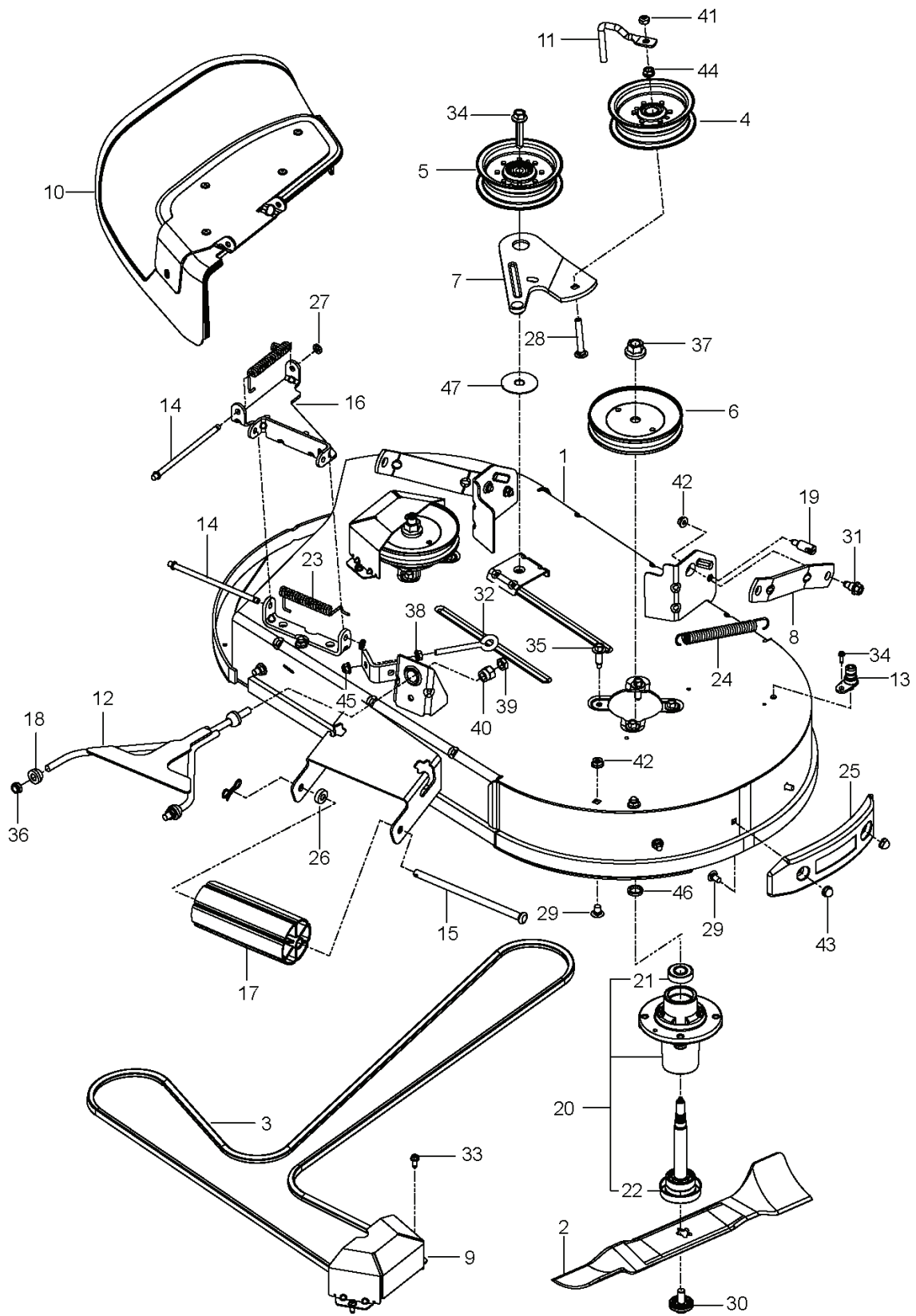


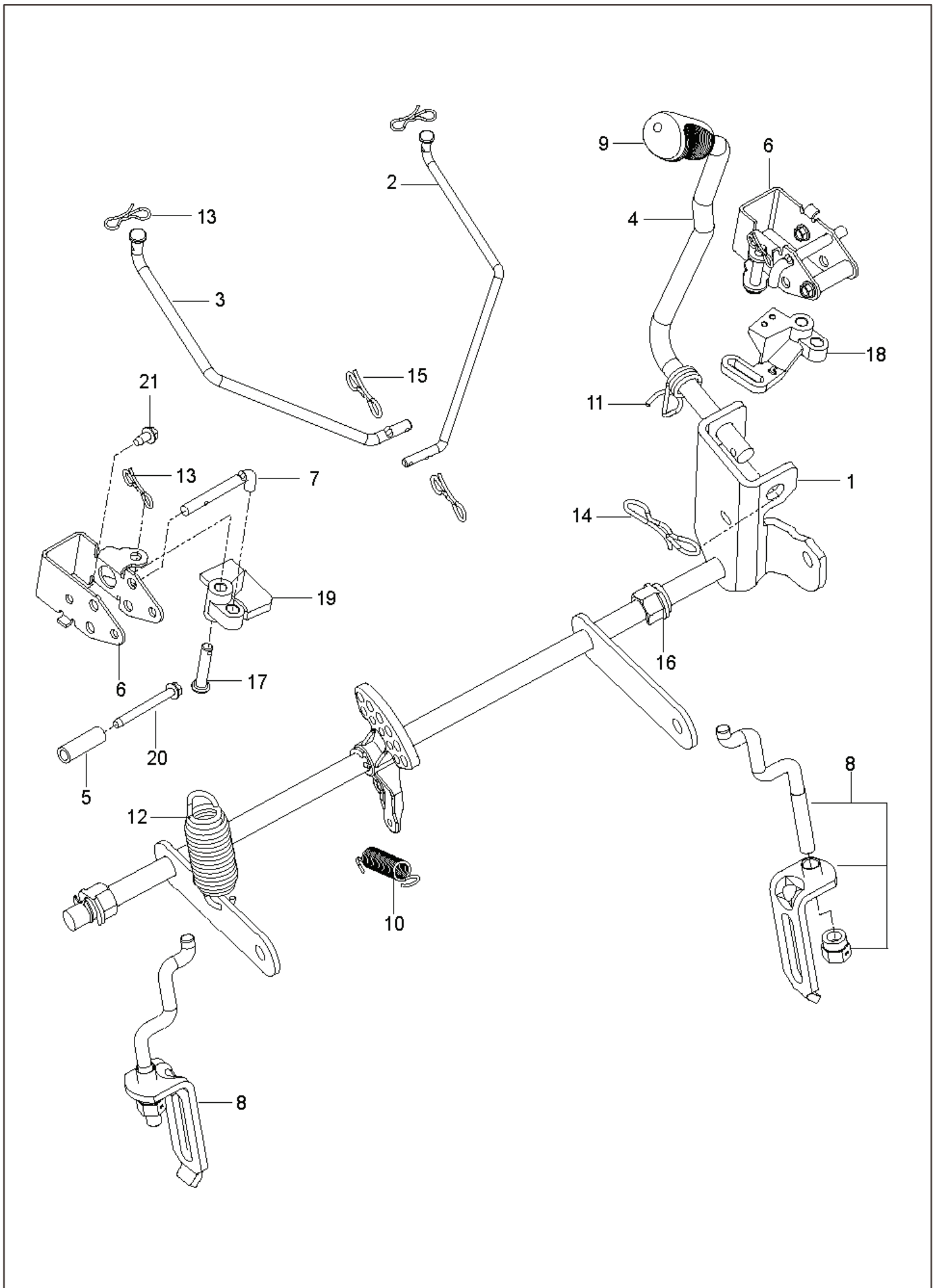
Z 242F, 967328401-00, 2016-11

---

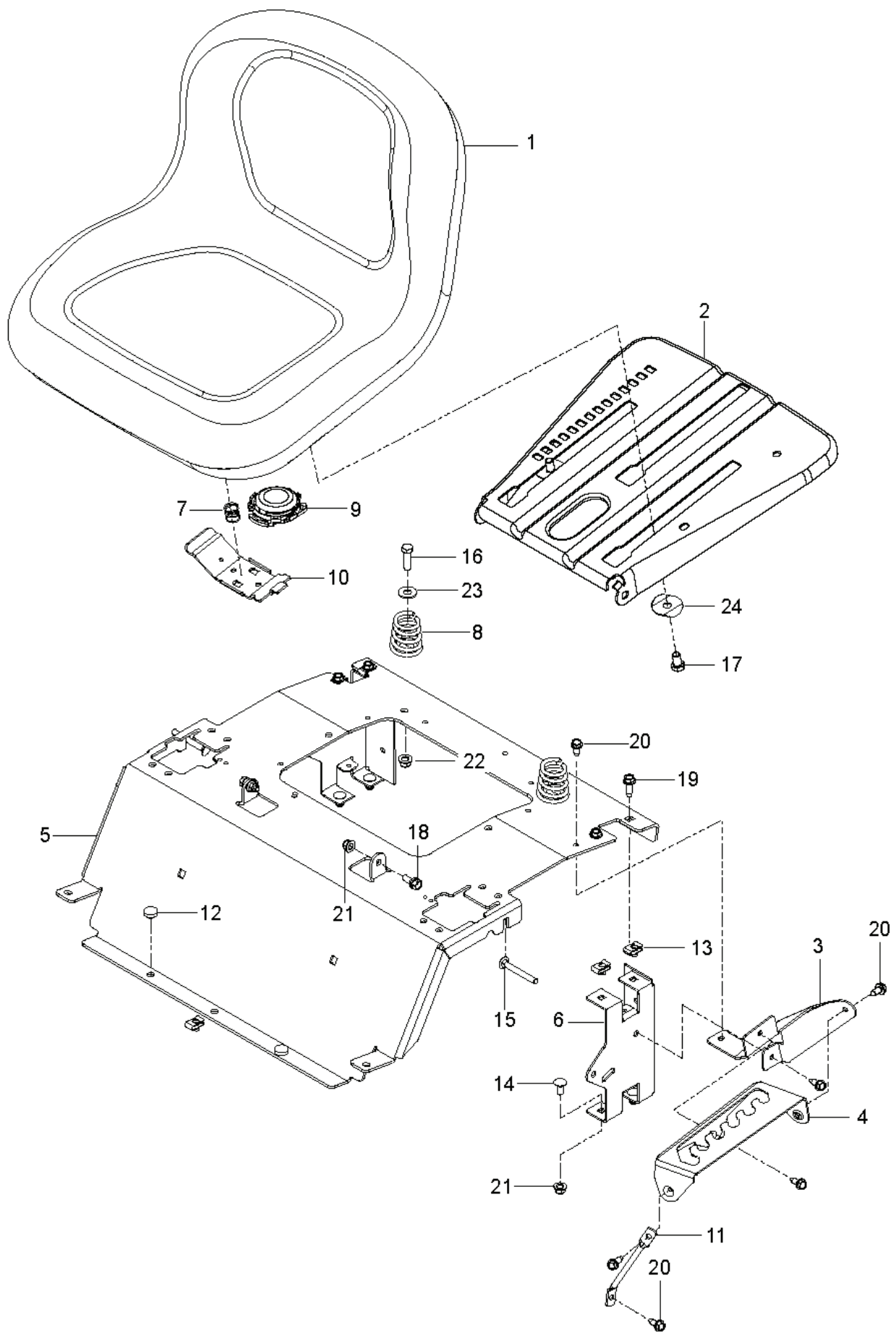
# **SPARE PARTS LIST**



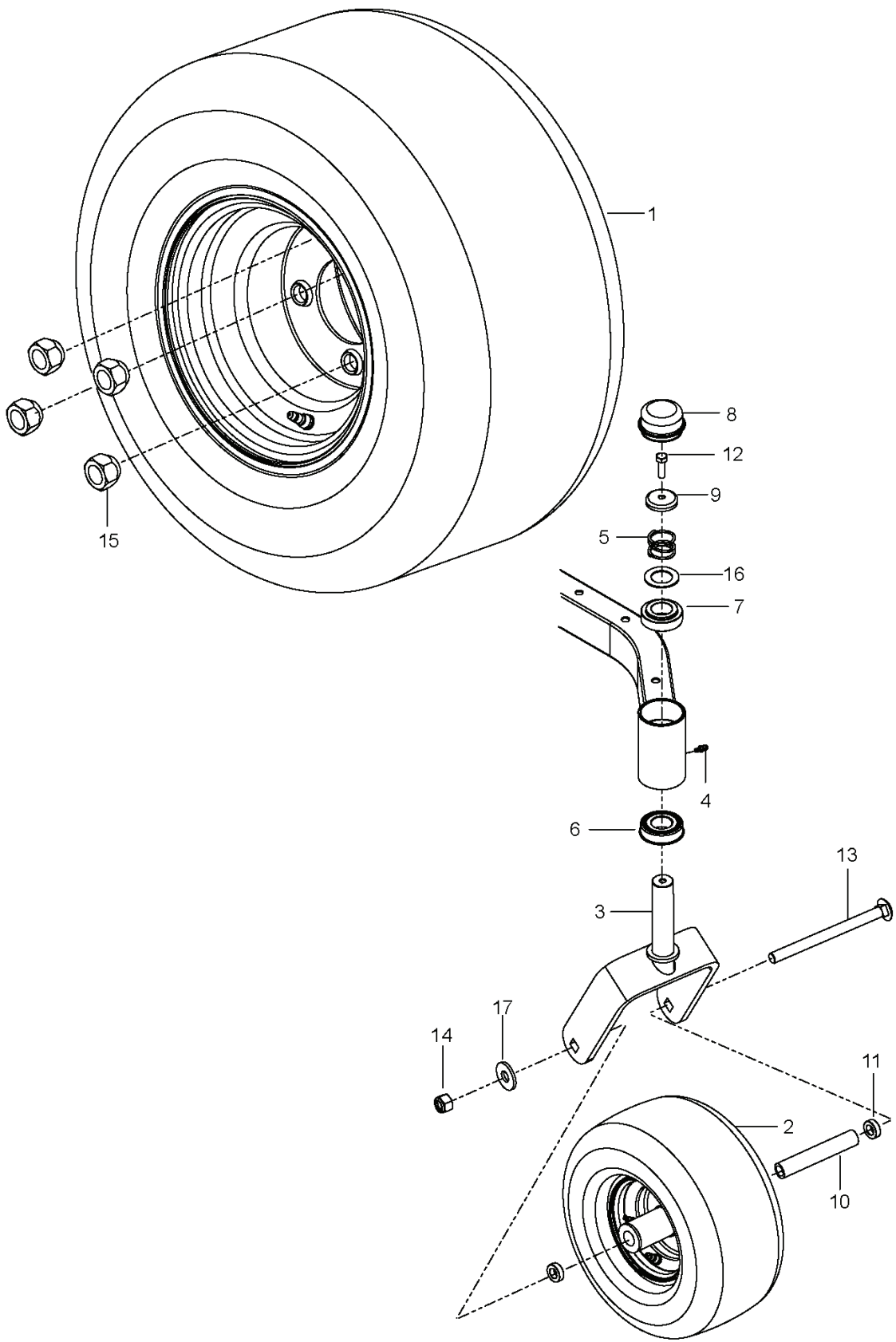
REF.	PART NO.	DESCRIPTION	REMARK	QTY.	KIT
1	586979402	HOUSING ASSY		1	
2	586918101	BLADE		2	
3	587270001	BELT		1	
4	532196106	PULLEY		1	
5	532196104	PULLEY		1	
6	532199791	PULLEY		2	
7	586874002	ARM		1	
8	587140502	ARM		2	
9	586936802	COVER		2	
10	587305701	DEFLECTOR		1	
11	532198468	BELT GUIDE		1	
12	588610902	LINK		1	
13	532415598	HOSE COUPLING		1	
14	532131491	SHAFT		2	
15	532179127	ROD ROLLER NOSE		1	
16	586918002	BRACKET		1	
17	532176066	ROLLER		1	
18	532195263	BUSHING		3	
19	532195161	STUD		2	
20	539112170	HOUSING ASSY		2	
21	532110485	BEARING		1	
22	532187291	SHAFT		1	
23	587354701	SPRING		2	
24	532197251	SPRING		1	
25	582683203	BUMPER		1	
26	582360501	BUSHING		1	
27	532110452	NUT		2	
28	872140620	BOLT		1	
29	872110505	BOLT		5	
30	532193003	SCREW		2	
31	532196539	BOLT		2	
32	539115574	EYE BOLT		1	
33	532137729	SCREW		4	
34	587333301	SCREW		1	
35	532173984	SCREW		8	
36	539119124	NUT		2	
37	532400234	NUT		2	
38	539990585	NUT		1	
39	873360700	NUT		1	
40	532175994	NUT		1	
41	873900600	NUT		1	
42	873900500	NUT		7	
43	585938101	NUT		2	
44	873680600	NUT		1	
45	539112899	NUT, 5/16-18, NYLOC		1	
46	532187690	WASHER		2	
47	532178515	WASHER		1	



REF.	PART NO.	DESCRIPTION	REMARK	QTY.	KIT
1	587623101	SHAFT ASSY		1	
2	586457101	LINK		1	
3	586457201	LINK		2	
4	587622901	LIFTING LEVER ASSY		1	9, 11, 14
5	580486101	SPACER		2	
6	585682102	BRACKET		2	
7	585682001	ROD		2	
8	587623001	LINK ASSY		2	
9	532445060	LEVER		1	
10	586867601	SPRING		1	
11	532196314	SPRING		1	
12	539118762	SPRING		1	
13	587225301	PIN		4	
14	532196314	SPRING		1	
15	532194208	PIN		2	
16	510184901	BUSHING		2	
17	585701401	PIN		2	
18	586457401	BELLCRANK		1	
19	586457501	BELLCRANK		1	
20	586561301	SCREW		2	
21	532137729	SCREW		2	

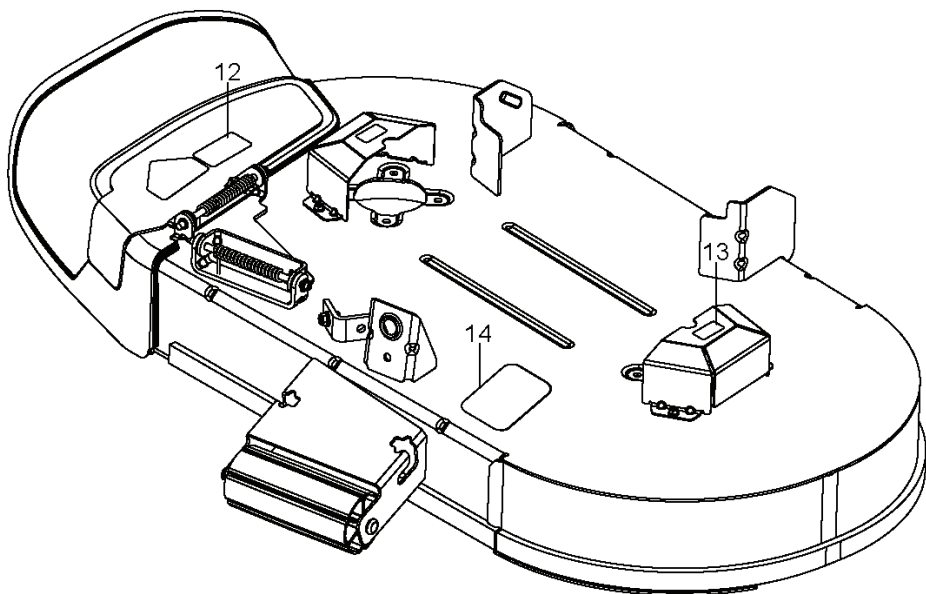
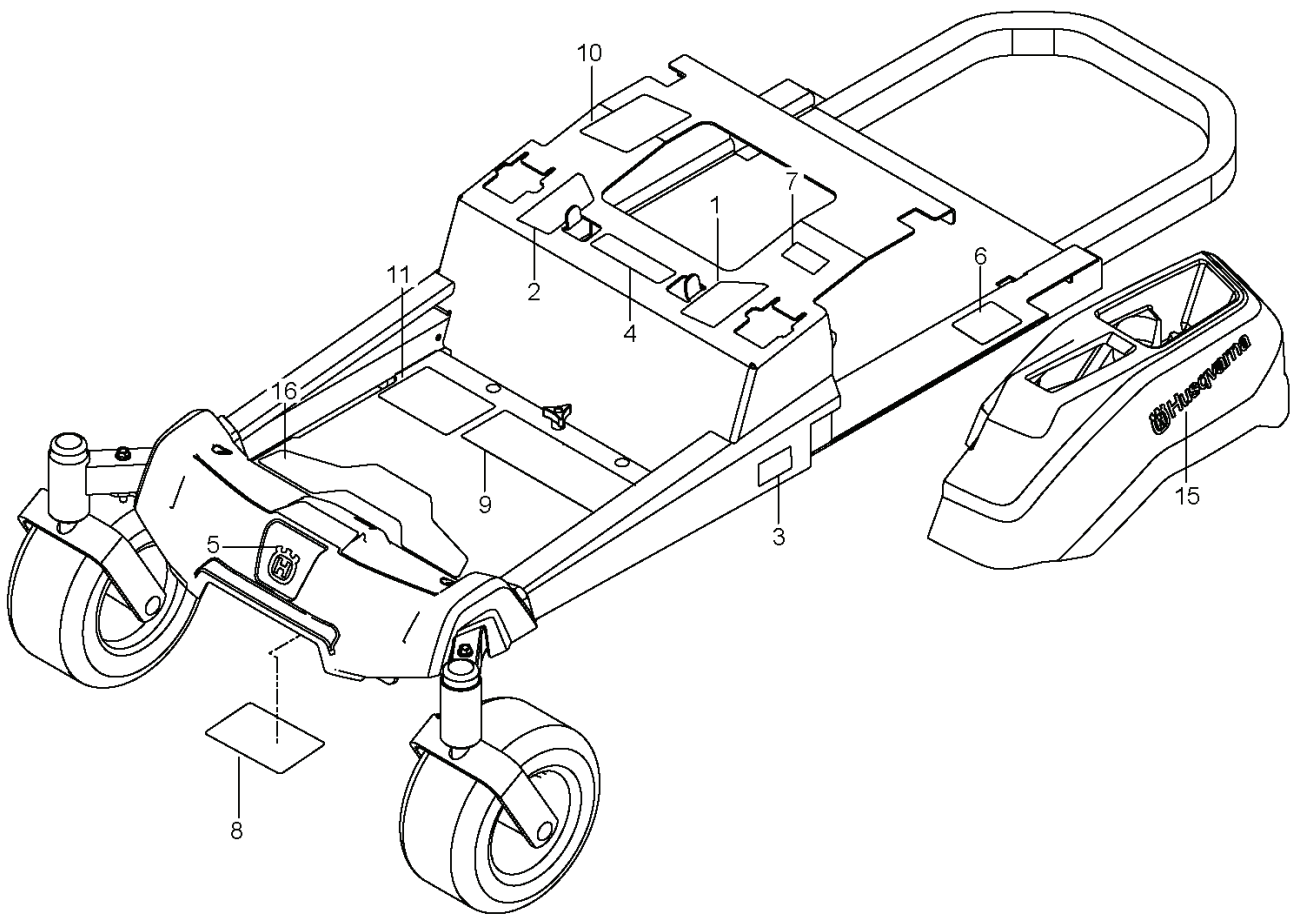


REF.	PART NO.	DESCRIPTION	REMARK	QTY.	KIT
1	532439822	SEAT		1	9
2	587232002	PLATE		1	
3	586220802	SUPPORT PLATE		1	
4	586221202	PLATE		1	
5	589761206	PLATE		1	
6	580308202	SUPPORT		2	
7	532198200	SPRING		1	
8	589483501	SPRING		2	
9	581429302	SWITCH		1	
10	532197661	HANDLE		1	
11	586428601	SUPPORT LEG		1	
12	585989301	BUMPER		2	
13	539104763	CLIP		5	
14	872140506	BOLT		4	
15	510422701	SCREW		2	
16	874780620	BOLT		2	
17	874760612	BOLT		1	
18	539110303	BOLT		2	
19	817490512	SCREW		4	
20	817000510	BOLT		6	
21	539112899	NUT, 5/16-18, NYLOC		4	
22	521996501	NUT		2	
23	819141614	WASHER		2	
24	501051801	WASHER		2	
	532421499	ARM REST		1	



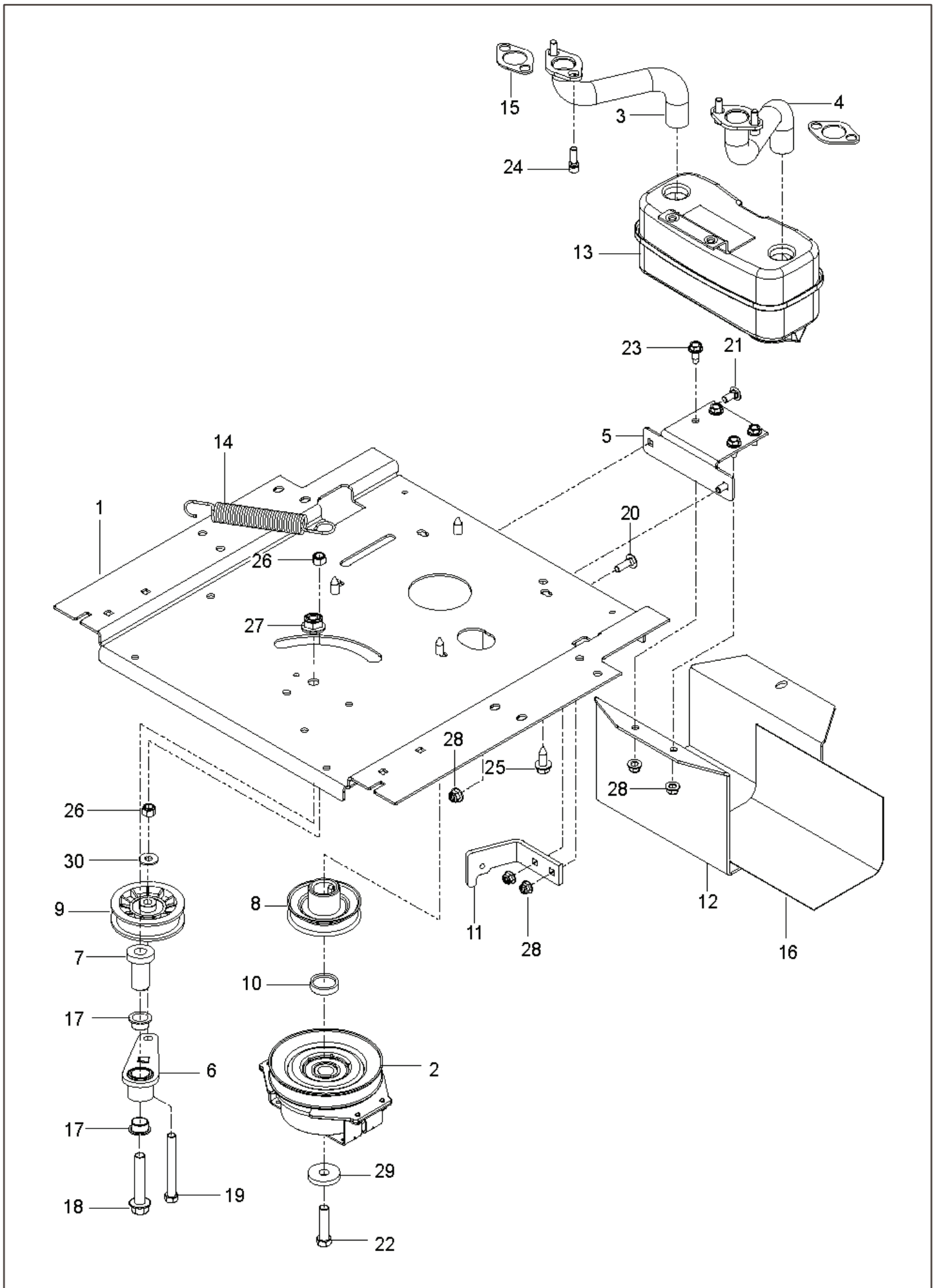
---

REF.	PART NO.	DESCRIPTION	REMARK	QTY.	KIT
1	581197301	WHEEL ASSY		2	
2	590486802	WHEEL		2	
3	510186505	YOKE		2	
4	539115638	FITTING		2	
5	539115747	SPRING		2	
6	539112660	BEARING		2	
7	539117901	BUSHING		2	
8	539102535	CAP		2	
9	539115749	CASTER PLUG		2	
10	584653101	SPACER		2	
11	581269201	SPACER		4	
12	539115566	SCREW		2	
13	539121159	BOLT		2	
14	539200100	NUT		2	
15	539101173	NUT		8	
16	539115675	WASHER		2	
17	819182212	WASHER		2	

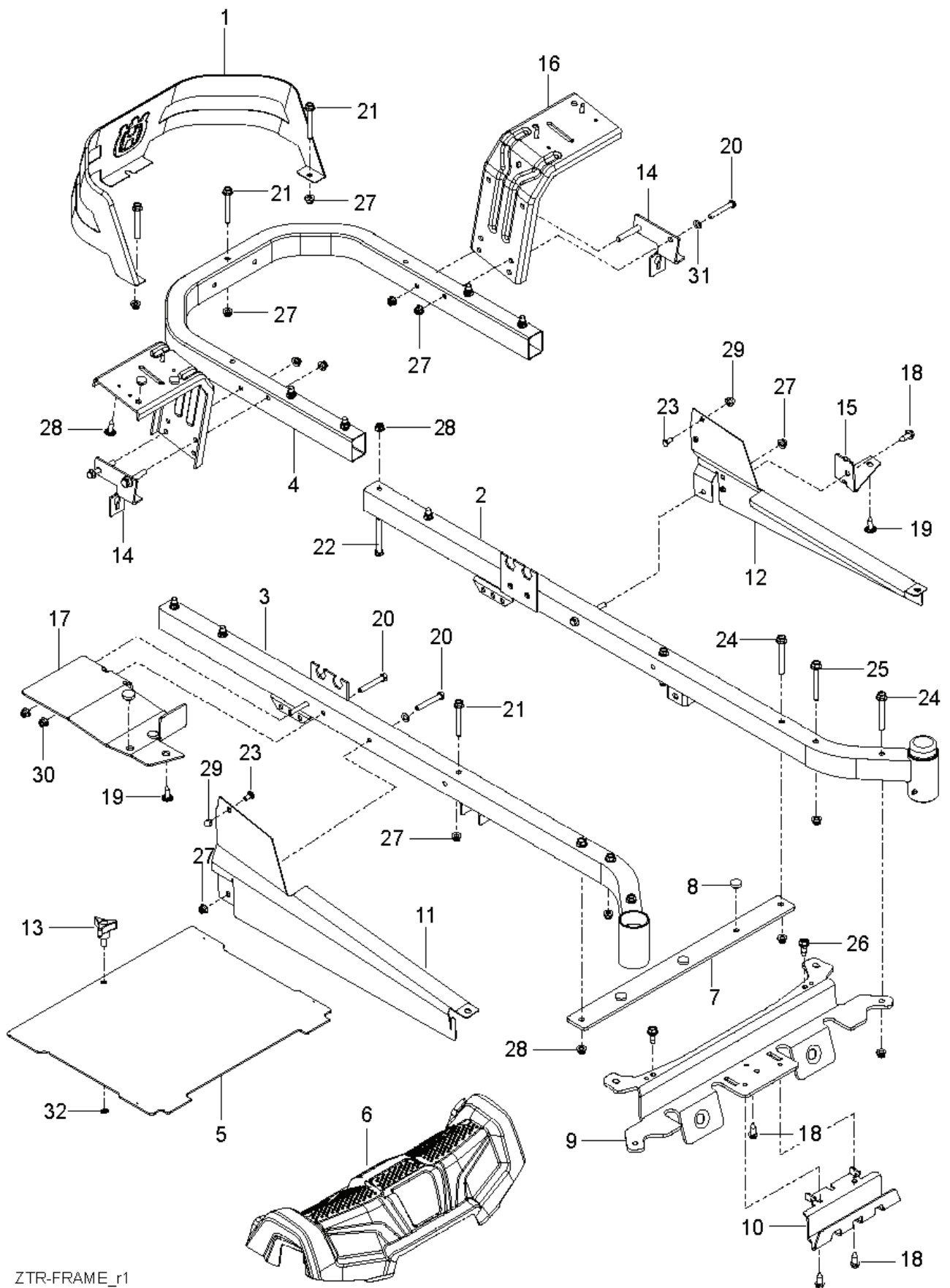


---

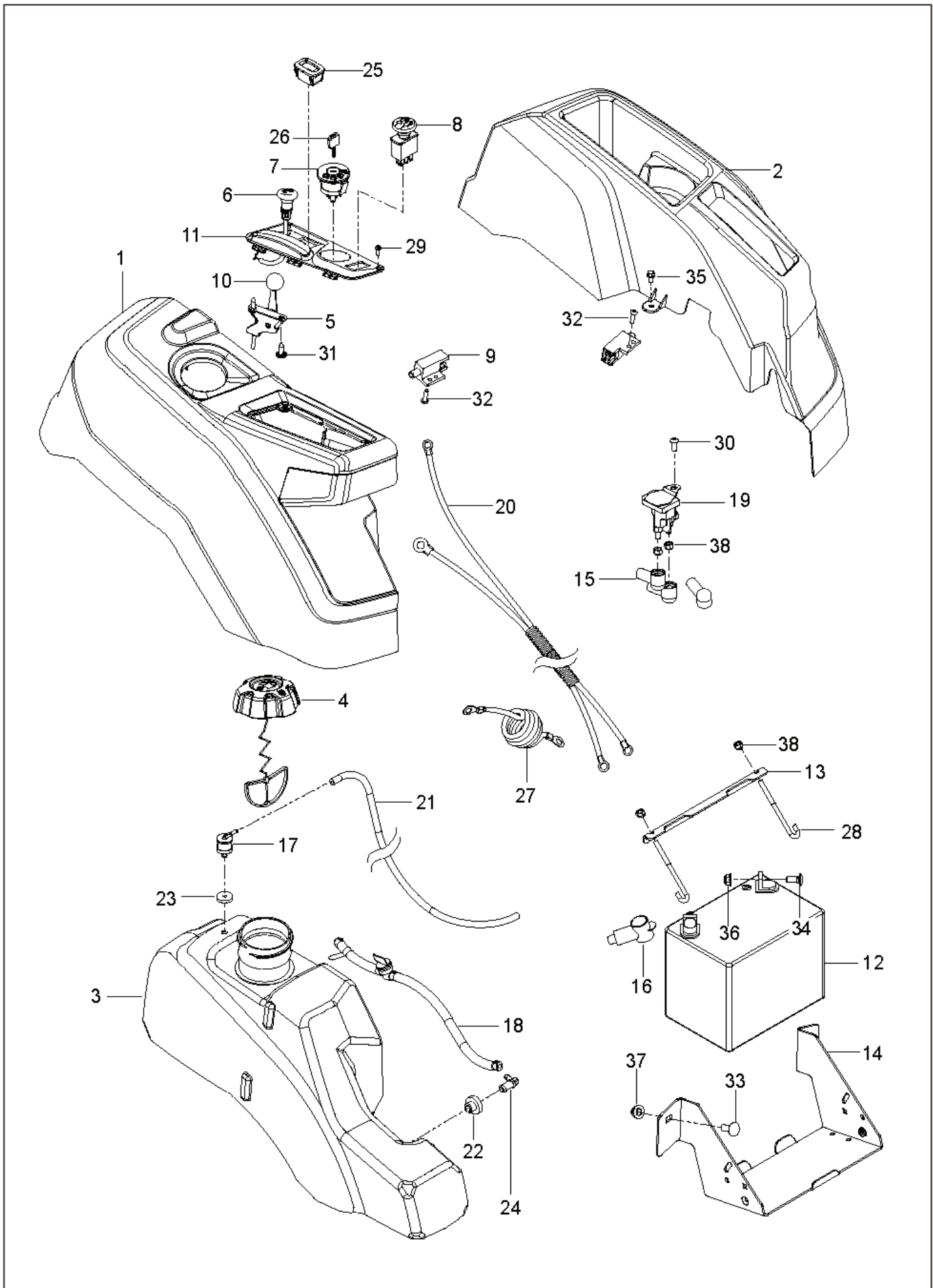
REF.	PART NO.	DESCRIPTION	REMARK	QTY.	KIT
1	587595601	DECAL	MOTION_BRAKE_LEFT	1	
2	587595501	DECAL	MOTION_BRAKE_RIGHT	1	
3	587769201	DECAL	Z242F	2	
4	539105745	DECAL	BATTERY WARNING	1	
5	532428677	DECAL		1	
6	539108385	DECAL		1	
7	539108386	DECAL	EXIT MOWER	1	
8	539109897	DECAL		1	
9	539109908	DECAL		1	
10	532423829	DECAL		1	
11	588035001	DECAL	START NO CHOKE	1	
12	586978801	DECAL		1	
13	581724301	DECAL		2	
14	581580001	DECAL		1	
15	577469001	DECAL		2	
16	587000701	PAD		1	



REF.	PART NO.	DESCRIPTION	REMARK	QTY.	KIT
1	588017102	PLATE		1	
2	587241601	CLUTCH		1	
3	581881101	TUBE		1	
4	581881001	TUBE		1	
5	581886702	BRACKET		1	
6	532448145	ARM		1	
7	582538901	SPINDLE		1	
8	587537401	PULLEY		1	
9	539110311	PULLEY		1	
10	587660101	SPACER		1	
11	587633302	STOP		1	
12	587451202	GUARD		1	
13	539131604	MUFFLER ASSY		1	
14	532196105	SPRING		1	
15	532165391	GASKET		2	
16	539132859	HEAT SHIELD		1	
17	501603701	BEARING		2	
18	582539501	BOLT		1	
19	874520656	BOLT		1	
20	872140508	BOLT		2	
21	872140506	BOLT		2	
22	581332803	BOLT		1	
23	817490512	SCREW		4	
24	532183906	SCREW		4	
25	539976979	NUT		2	
26	521991101	NUT		1	
27	539112899	NUT, 5/16-18, NYLOC		1	
28	539976979	NUT		2	
29	532126197	WASHER		2	
30	539990692	WASHER		1	
	000000000	W/O DESCRIPTION	Engine, Briggs & Stratton 44T877 24 HP. For engine replacement parts, see a B&S dealer.	1	



REF.	PART NO.	DESCRIPTION	REMARK	QTY.	KIT
1	585039802	GUARD		1	
2	589283302	FRAME TUBE		1	
3	589283402	FRAME TUBE		1	
4	584991002	TUBE		1	
5	522842902	PLATE	W/ SFTY DECALS	1	
6	585522401	FRONT COVER		1	
7	585523004	SUPPORT		1	
8	585989301	BUMPER		7	
9	585523104	CROSS MEMBER		1	
10	585523204	SKID PLATE		1	
11	585331602	COVER		1	
12	585331502	COVER		1	
13	539104411	KNOB		1	
14	585474302	BRACKET		2	
15	585523604	SUPPORT		1	
16	580501302	BRACKET		2	
17	585523404	SUPPORT		1	
18	817000510	BOLT		4	
19	532416358	SCREW		6	
20	874780536	BOLT		8	
21	874780544	BOLT		5	
22	874780648	BOLT		8	
23	585940001	BOLT		2	
24	577117701	SCREW		4	
25	586654301	BOLT		2	
26	586881101	BOLT		2	
27	539112899	NUT, 5/16-18, NYLOC		9	
28	521996501	NUT		14	
29	585938101	NUT		2	
30	873900500	NUT		2	
31	819111116	WASHER		6	
32	532423063	WASHER		1	



REF.	PART NO.	DESCRIPTION	REMARK	QTY.	KIT
1	585522801	CONSOLE ASSY		1	
2	586621201	CONSOLE ASSY		1	
3	578180602	FUEL TANK ASSY	Fits 2.75" filler neck	1	
4	585124801	FUEL CAP ASSY	Fits 2.75" filler neck	1	
4	529989702	CAP	Fits 2.00" filler neck	1	
5	539112438	THROTTLE CABLE		1	
6	586881501	CHOKE CONTROL ASSY		1	
7	539107541	IGNITION SWITCH		1	
8	582107602	SWITCH		1	
9	587601501	SWITCH		2	
10	539133049	KNOB ROUND BALL		1	
11	585522701	CONTROL PANEL		1	
12	539102436	BATTERY		1	
13	510030003	BRACKET		1	
14	582609602	BOX		1	
15	532131563	COVER		3	
16	539102759	INSULATOR		1	
17	576618101	TANK VENT		1	
18	586123906	FUEL HOSE		1	
20	587198601	HARNESS		1	
19	582042801	SOLENOID		1	
21	587044550	HOSE		1	
22	532003645	BUSHING		1	
23	532437492	GROMMET		1	
24	532139277	NIPPLE		1	
25	586161801	HOUR METER		1	
26	532140401	KEY		1	
27	586108201	HARNESS		1	
28	588839401	HOOK		2	
29	545227101	SCREW		2	
30	539111229	SCR 1/4-20 X 5/8 BTN SKT HD ZD		1	
31	532141841	SCREW		2	
32	586936001	SCREW		2	
33	539990645	BOLT		2	
34	872140506	BOLT		2	
35	817490408	SCREW		2	
36	539112899	NUT, 5/16-18, NYLOC		2	
37	521996501	NUT		2	
38	539976978	NUT		5	
	586337301	HARNESS	NOT SHOWN	1	
	532109748	RELAY		1	
	586548101	HARNESS		1	