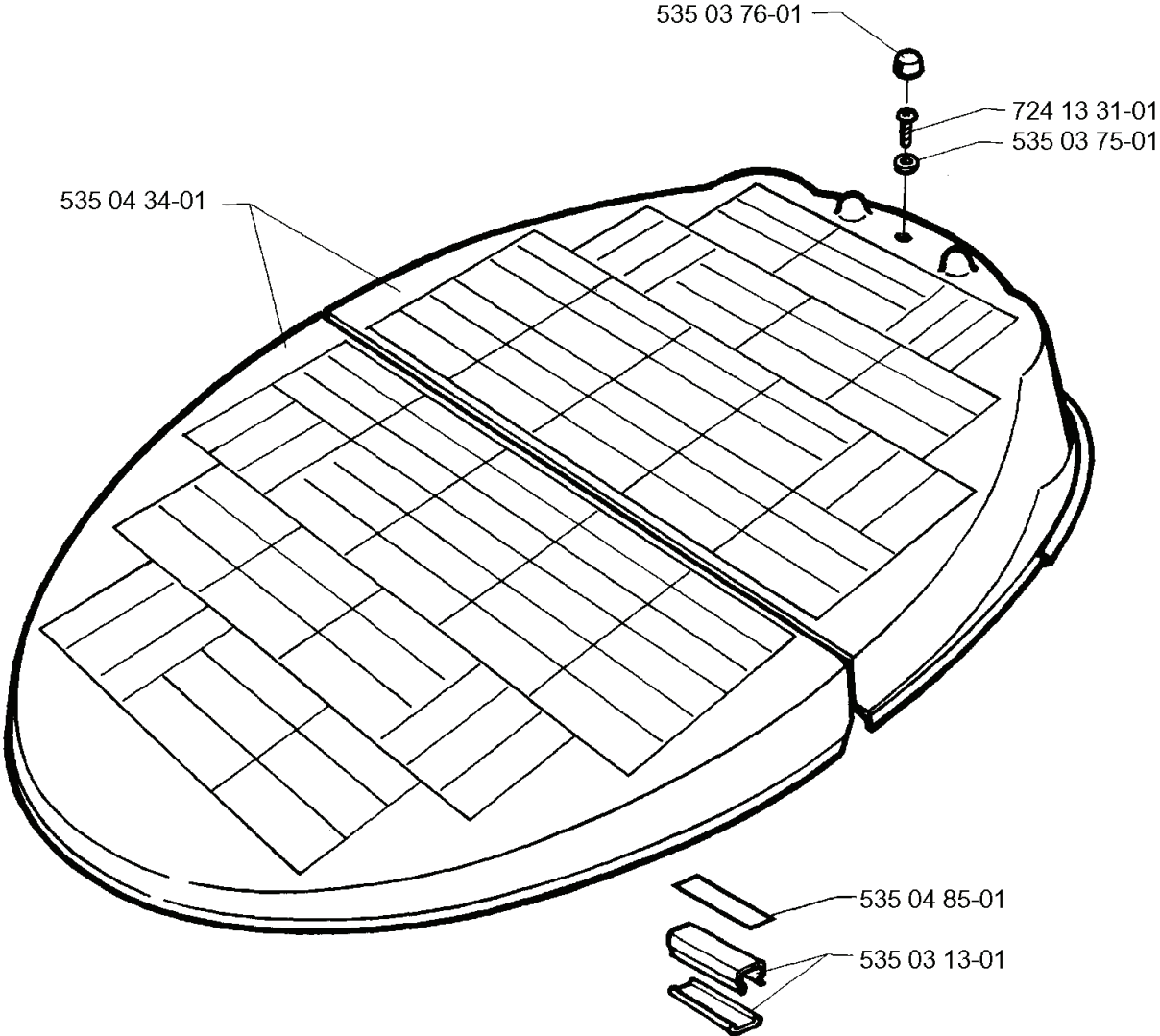


SOLARMOWER 1996 1996-01

---

# **SPARE PARTS LIST**

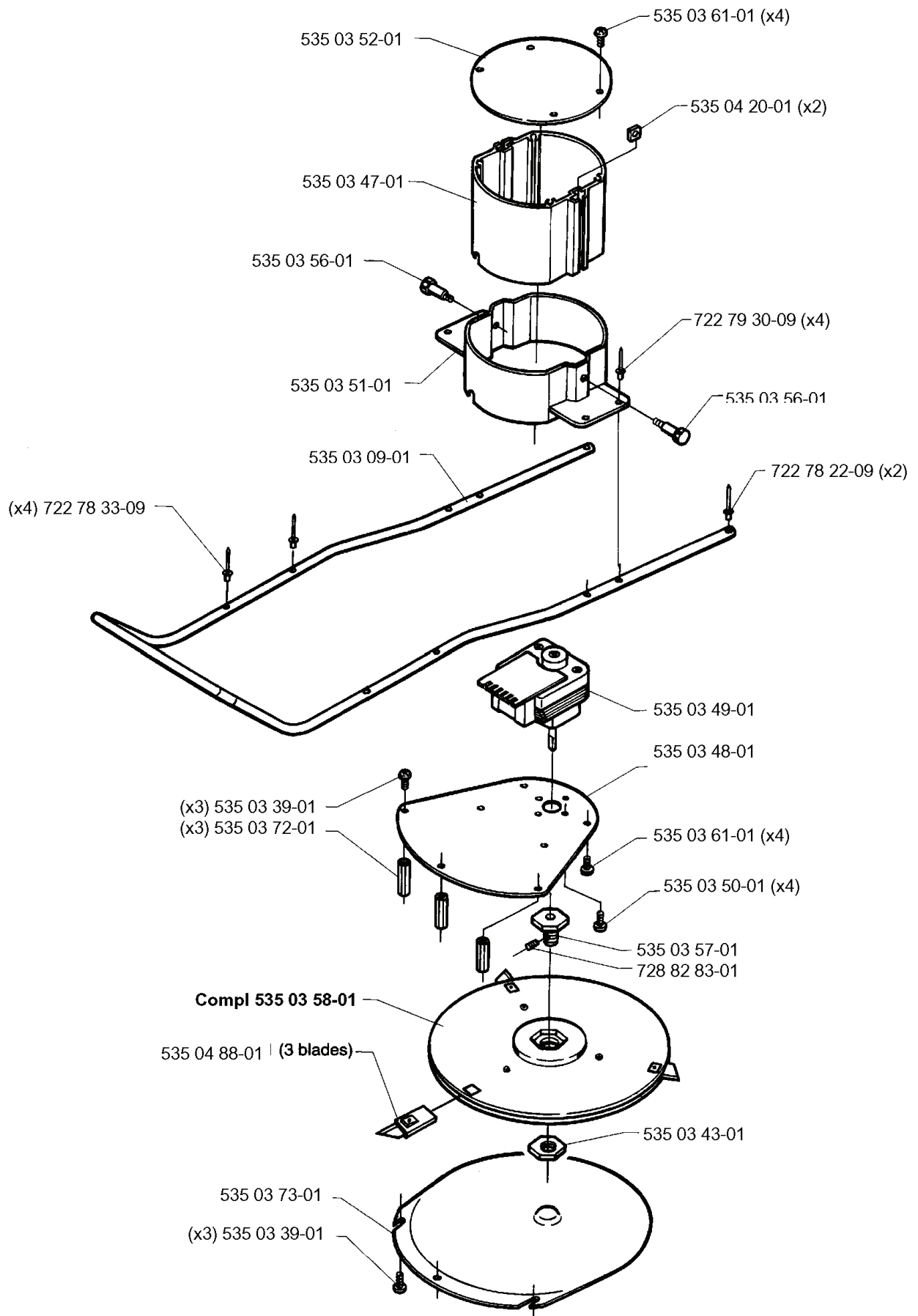
**A**



---

REF.	PART NO.	DESCRIPTION	REMARK	QTY.	KIT
535 04 34-01	535043401	COVER		1	
535 03 13-01	535031301	GROMMET		1	
535 04 85-01	535048501	TAPE		1	
535 03 75-01	535037501	WASHER		1	
724 13 31-01	724133101	SCREW CRPANM		1	
535 03 76-01	535037601	COVER		1	

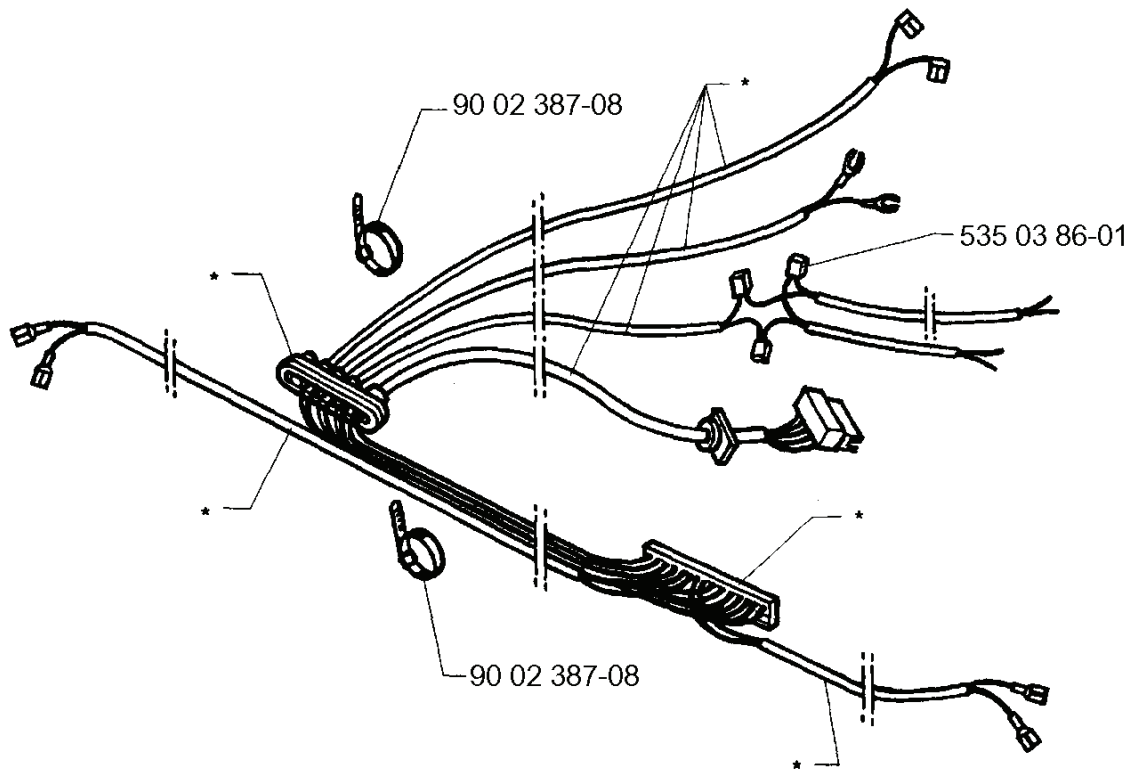
# E



REF.	PART NO.	DESCRIPTION	REMARK	QTY.	KIT
535 03 52-01	535035201	COVER		1	
535 03 47-01	535034701	PIPE		1	
535 03 51-01	535035101	PIPE		1	
535 03 09-01	535030901	PIPE		1	
722 78 33-09	722783309	BLIND RIVET		4	
535 03 39-01	535033901	SCREW IH PANM		3	
535 03 72-01	535037201	SPACER		3	
535 03 58-01	535035801	BLADE DISC. CPL.		1	
535 04 88-01	535048801	BLADE SET	3 BLADES	1	
535 03 73-01	535037301	PLATE		1	
535 03 43-01	535034301	NUT		1	
728 82 83-01	728828301	SCREW IH SETM		1	
535 03 57-01	535035701	HUB		1	
535 03 50-01	535035001	SCREW		4	
535 03 48-01	535034801	PLATE		1	
535 03 49-01	535034901	ENGINE		1	
722 78 22-09	722782209	BLIND RIVET		2	
535 03 56-01	535035601	KNOB		1	
722 79 30-09	722793009	BLIND RIVET		4	
535 04 20-01	535042001	NUT		2	
535 03 61-01	535036101	SCREW		4	

**B**

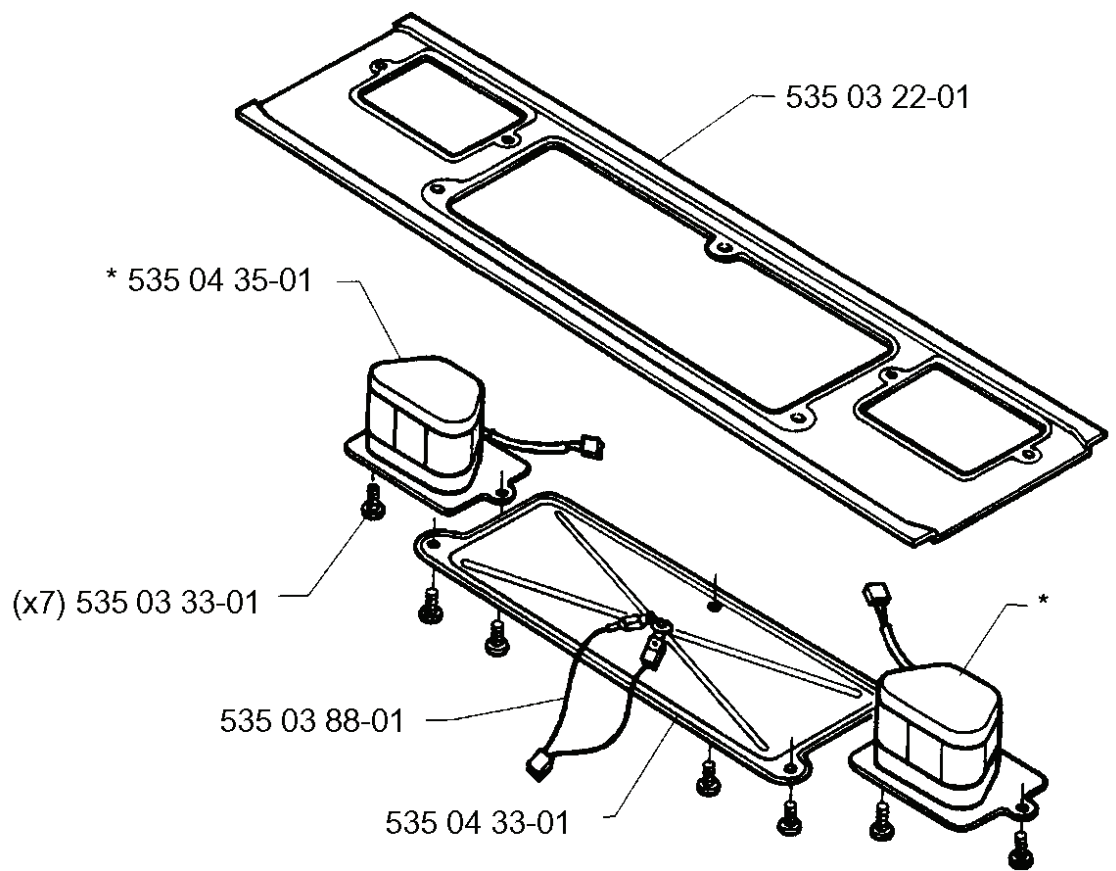
\*compl 535 03 83-01



---

REF.	PART NO.	DESCRIPTION	REMARK	QTY.	KIT
535 03 83-01	535038301	HARNESS		1	
90 02 387-08	900238708	TIE WRAP		1	
535 03 86-01	535038601	SLEEVE		1	

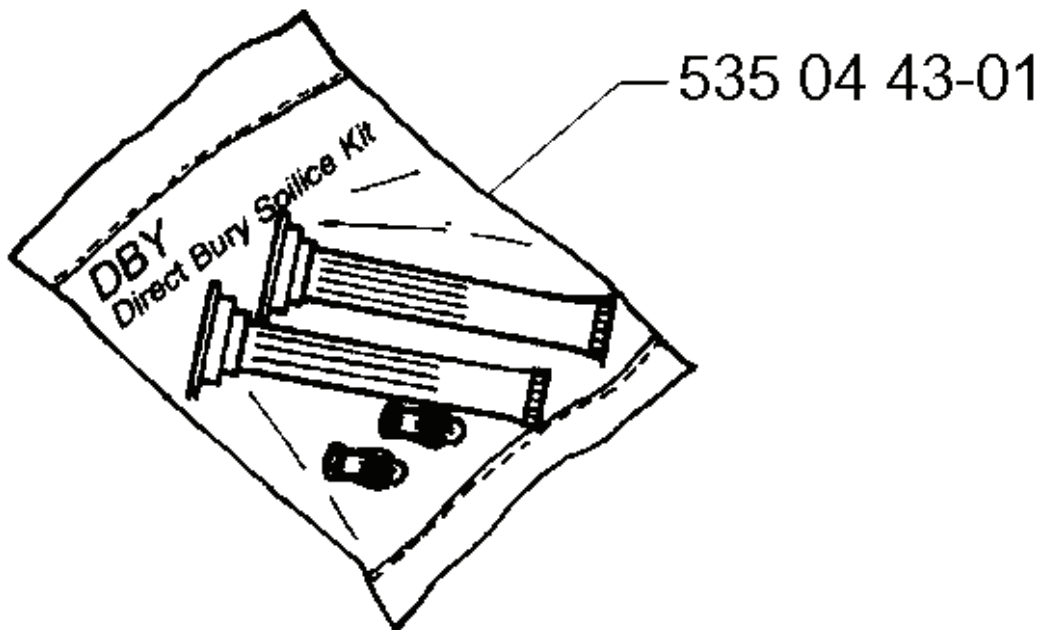
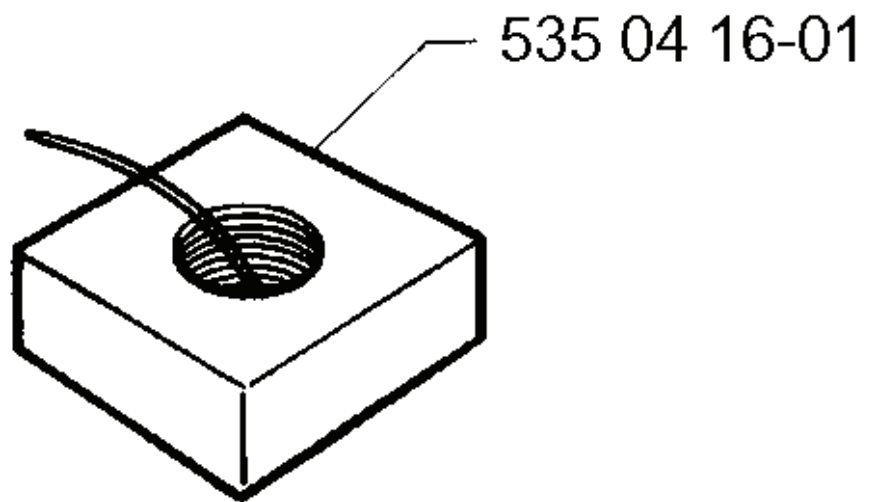
**D**



---

REF.	PART NO.	DESCRIPTION	REMARK	QTY.	KIT
535 04 35-01	535043501	BATTERY		1	
535 03 33-01	535033301	SCREW		7	
535 03 88-01	535038801	CABLE		1	
535 04 33-01	535043301	COVER		1	
535 03 22-01	535032201	COVER		1	

# H

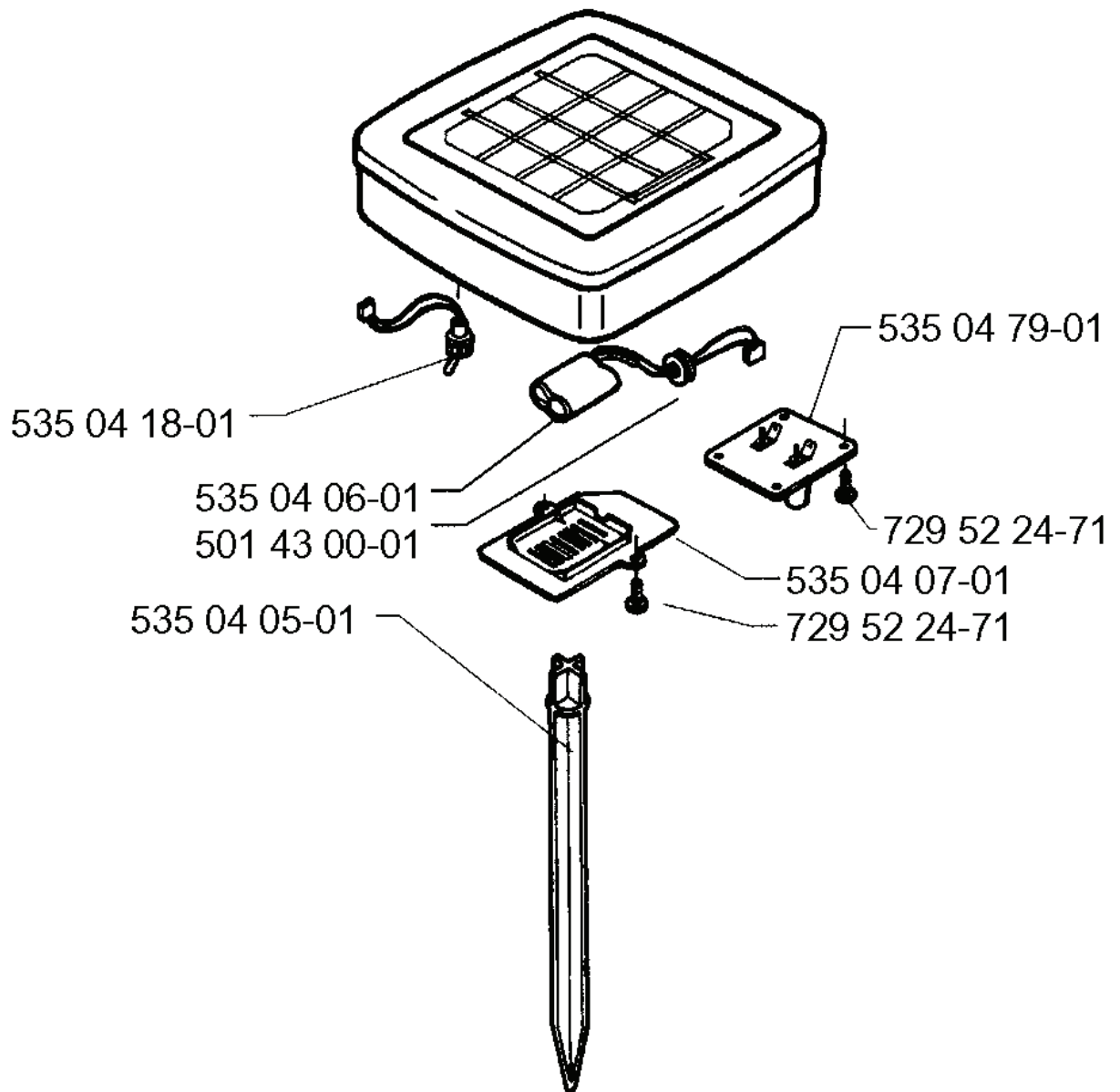


---

REF.	PART NO.	DESCRIPTION	REMARK	QTY.	KIT
535 04 16-01	535041601	WIRE		1	
535 04 43-01	535044301	COUPLER		1	

**G**

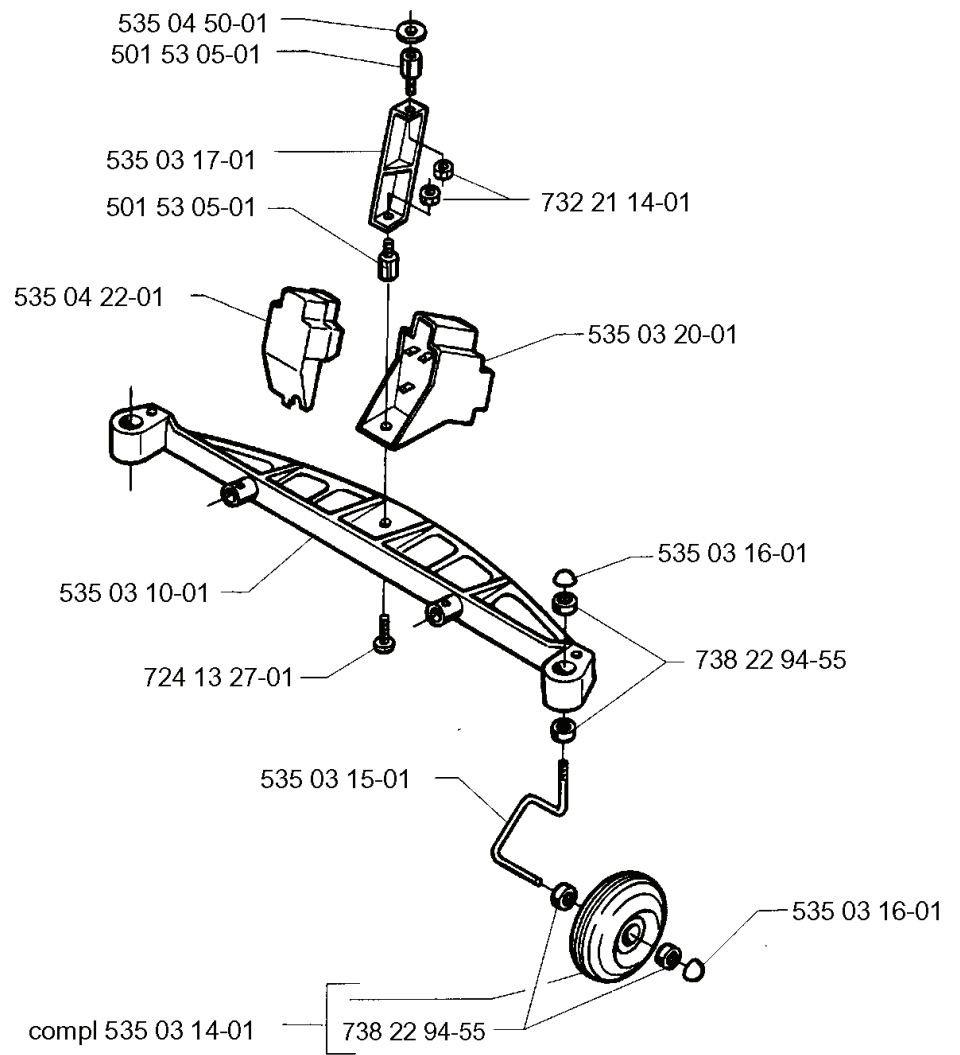
**Compl 535 03 74-01**



---

REF.	PART NO.	DESCRIPTION	REMARK	QTY.	KIT
535 03 74-01	535037401	GENERATOR		1	
535 04 18-01	535041801	SWITCH		1	
535 04 06-01	535040601	BATTERY		1	
501 43 00-01	501430001	CABLE GROMMET		1	
535 04 05-01	535040501	BRACKET		1	
729 52 24-71	729522471	SCREW CRPANT		1	
535 04 07-01	535040701	COVER		1	
535 04 79-01	535047901	CONNECTION		1	

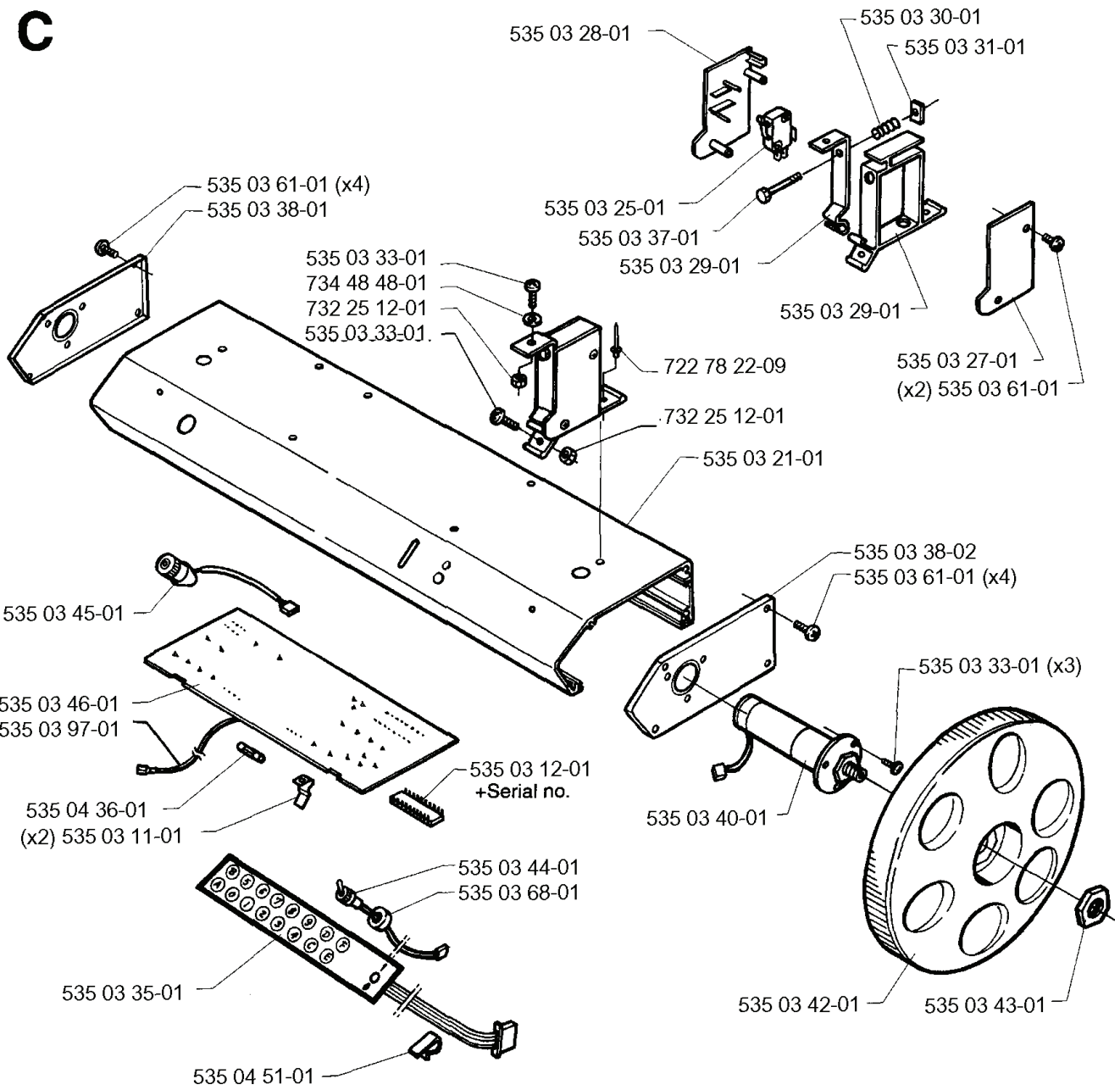
**F**



---

REF.	PART NO.	DESCRIPTION	REMARK	QTY.	KIT
535 04 50-01	535045001	WASHER		1	
535 03 17-01	535031701	BRACKET		1	
501 53 05-01	501530501	ANTIVIBRATION ELEMENT		1	
535 04 22-01	535042201	COVER		1	
535 03 10-01	535031001	BRACKET		1	
724 13 27-01	724132701	SCREW CRPANM		1	
535 03 15-01	535031501	BRACKET		1	
535 03 14-01	535031401	WHEEL		1	
738 22 94-55	738229455	BALL BEARING		1	
535 03 16-01	535031601	CLIP		1	
535 03 20-01	535032001	SENSOR		1	
732 21 14-01	732211401	LOCK NUT		1	

**C**



REF.	PART NO.	DESCRIPTION	REMARK	QTY.	KIT
535 03 38-01	535033801	GABLE		1	
535 03 45-01	535034501	BUZZER		1	
535 03 46-01	535034601	PRINTED CIRCUIT CARD		1	
535 03 97-01	535039701	CABLE		1	
535 04 36-01	535043601	FUSE		1	
535 03 11-01	535031101	SPRING		2	
535 03 35-01	535033501	KEYBOARD		1	
535 04 51-01	535045101	CLIP		1	
535 03 68-01	535036801	WASHER		1	
535 03 44-01	535034401	SWITCH		1	
535 03 12-01	535031201	MICROPROCESSOR		1	
732 25 12-01	732251201	HEXAGON LOCKING NUT		1	
734 48 48-01	734484801	WASHER		1	
535 03 28-01	535032801	COVER		1	
535 03 25-01	535032501	SWITCH		1	
535 03 37-01	535033701	SCREW		1	
722 78 22-09	722782209	BLIND RIVET		1	
535 03 21-01	535032101	BOX		1	
535 03 40-01	535034001	ENGINE		1	
535 03 42-01	535034201	WHEEL		1	
535 03 43-01	535034301	NUT		1	
535 03 33-01	535033301	SCREW		3	
535 03 61-01	535036101	SCREW		4	
535 03 38-02	535033802	GABLE		1	
535 03 27-01	535032701	COVER		1	
535 03 29-01	535032901	BRACKET		1	
535 03 31-01	535033101	NUT		1	
535 03 30-01	535033001	SPRING		1	