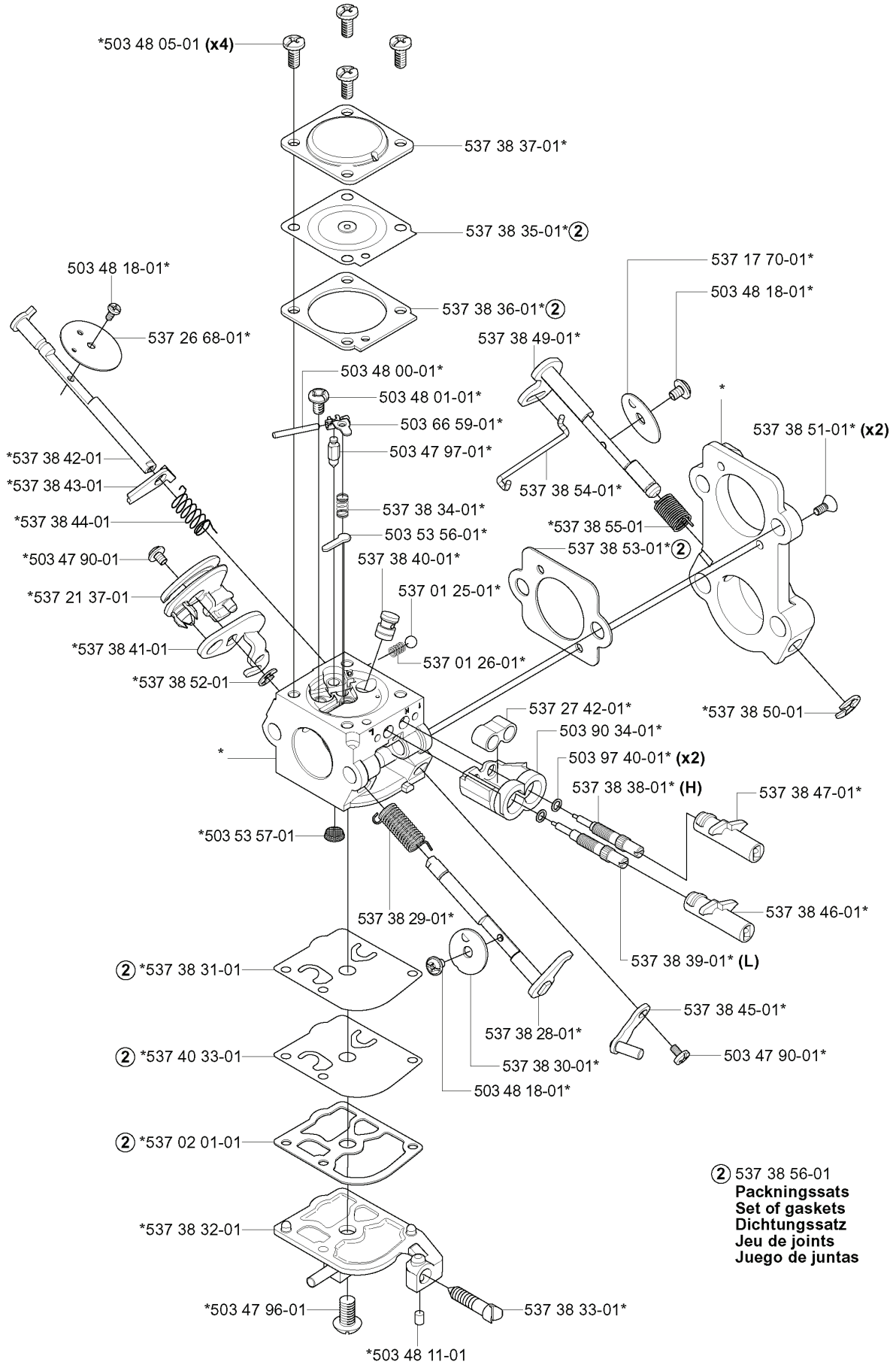


570 EPA, 20051400001-20070100000

---

# **SPARE PARTS LIST**



(2) 537 38 56-01  
**Packningssats**  
**Set of gaskets**  
**Dichtungssatz**  
**Jeu de joints**  
**Juego de juntas**

| REF.         | PART NO.  | DESCRIPTION         | REMARK  | QTY. | KIT |
|--------------|-----------|---------------------|---|------|-----|
| 503 28 33-01 | 503283301 | CARBURETTOR         | ZAMA C1M-EL28                                   | 1    |     |
| 503 48 05-01 | 503480501 | SCREW               |   | 4    |     |
| 537 26 68-01 | 537266801 | VALVE               |   | 1    |     |
| 537 38 42-01 | 537384201 | SHAFT ASSY          |   | 1    |     |
| 537 38 43-01 | 537384301 | LEVER               |   | 1    |     |
| 537 38 44-01 | 537384401 | SPRING              |   | 1    |     |
| 503 47 90-01 | 503479001 | SCREW               |   | 1    |     |
| 537 21 37-01 | 537213701 | LEVER               |   | 1    |     |
| 537 38 41-01 | 537384101 | LEVER               |   | 1    |     |
| 537 38 52-01 | 537385201 | CLIP                |   | 1    |     |
| 503 53 57-01 | 503535701 | STRAINER            |   | 1    |     |
| 537 38 31-01 | 537383101 | DIAPHRAGM PUMP      | 537 38 56-01<br>PACKNINGSSATS SET OF<br>GASKETS | 1    |     |
| 537 40 33-01 | 537403301 | DIAPHRAGM           | 537 38 56-01<br>PACKNINGSSATS SET OF<br>GASKETS | 1    |     |
| 537 02 01-01 | 537020101 | GASKET              | 537 38 56-01<br>PACKNINGSSATS SET OF<br>GASKETS | 1    |     |
| 537 38 32-01 | 537383201 | COVER               |   | 1    |     |
| 503 47 96-01 | 503479601 | SCREW               |   | 1    |     |
| 503 48 11-01 | 503481101 | PIECE               |   | 1    |     |
| 537 38 33-01 | 537383301 | SCREW               |   | 1    |     |
| 503 48 18-01 | 503481801 | SCREW               |   | 1    |     |
| 537 38 30-01 | 537383001 | VALVE               |   | 1    |     |
| 537 38 28-01 | 537382801 | SHAFT ASSY          |   | 1    |     |
| 537 38 29-01 | 537382901 | SPRING              |   | 1    |     |
| 537 01 26-01 | 537012601 | SPRING              |   | 1    |     |
| 537 01 25-01 | 537012501 | BALL                |   | 1    |     |
| 537 38 40-01 | 537384001 | NOZZLE ASSY         |   | 1    |     |
| 503 53 56-01 | 503535601 | PLUG WELCH          |   | 1    |     |
| 537 38 34-01 | 537383401 | SPRING              |   | 1    |     |
| 503 47 97-01 | 503479701 | VALVE               |   | 1    |     |
| 503 66 59-01 | 503665901 | LEVER               |   | 1    |     |
| 503 48 01-01 | 503480101 | SCREW               |   | 1    |     |
| 503 48 00-01 | 503480001 | PIN RETAINING SCREW |   | 1    |     |
| 537 38 37-01 | 537383701 | COVER               |   | 1    |     |
| 537 38 35-01 | 537383501 | DIAPHRAGM           | 537 38 56-01<br>PACKNINGSSATS SET OF<br>GASKETS | 1    |     |
| 537 38 36-01 | 537383601 | GASKET              | 537 38 56-01<br>PACKNINGSSATS SET OF<br>GASKETS | 1    |     |
| 537 38 49-01 | 537384901 | SHAFT ASSY          |   | 1    |     |
| 537 38 54-01 | 537385401 | ROD                 |   | 1    |     |
| 537 38 55-01 | 537385501 | SPRING              |   | 1    |     |
| 537 38 53-01 | 537385301 | GASKET              | 537 38 56-01<br>PACKNINGSSATS SET OF<br>GASKETS | 1    |     |
| 537 27 42-01 | 537274201 | BOOT                |   | 1    |     |

---

| REF.       | PART NO.  | DESCRIPTION | REMARK | QTY. | KIT |
|------------|-----------|-------------|--------|------|-----|
| 5039034-01 | 503903401 | RETAINER    |        | 1    |     |
| 5039740-01 | 503974001 | WASHER      |        | 2    |     |
| 5373838-01 | 537383801 | SCREW       | H      | 1    |     |
| 5373839-01 | 537383901 | SCREW       | L      | 1    |     |
| 5373845-01 | 537384501 | LEVER       |        | 1    |     |
| 5373846-01 | 537384601 | LIMITER CAP |        | 1    |     |
| 5373847-01 | 537384701 | LIMITER CAP |        | 1    |     |
| 5373850-01 | 537385001 | CLIP        |        | 1    |     |
| 5373851-01 | 537385101 | SCREW       |        | 2    |     |
| 5371770-01 | 537177001 | VALVE       |        | 1    |     |

**N**

\*compl 537 30 61-02

537 20 58-01

503 26 09-01

503 25 20-02\*

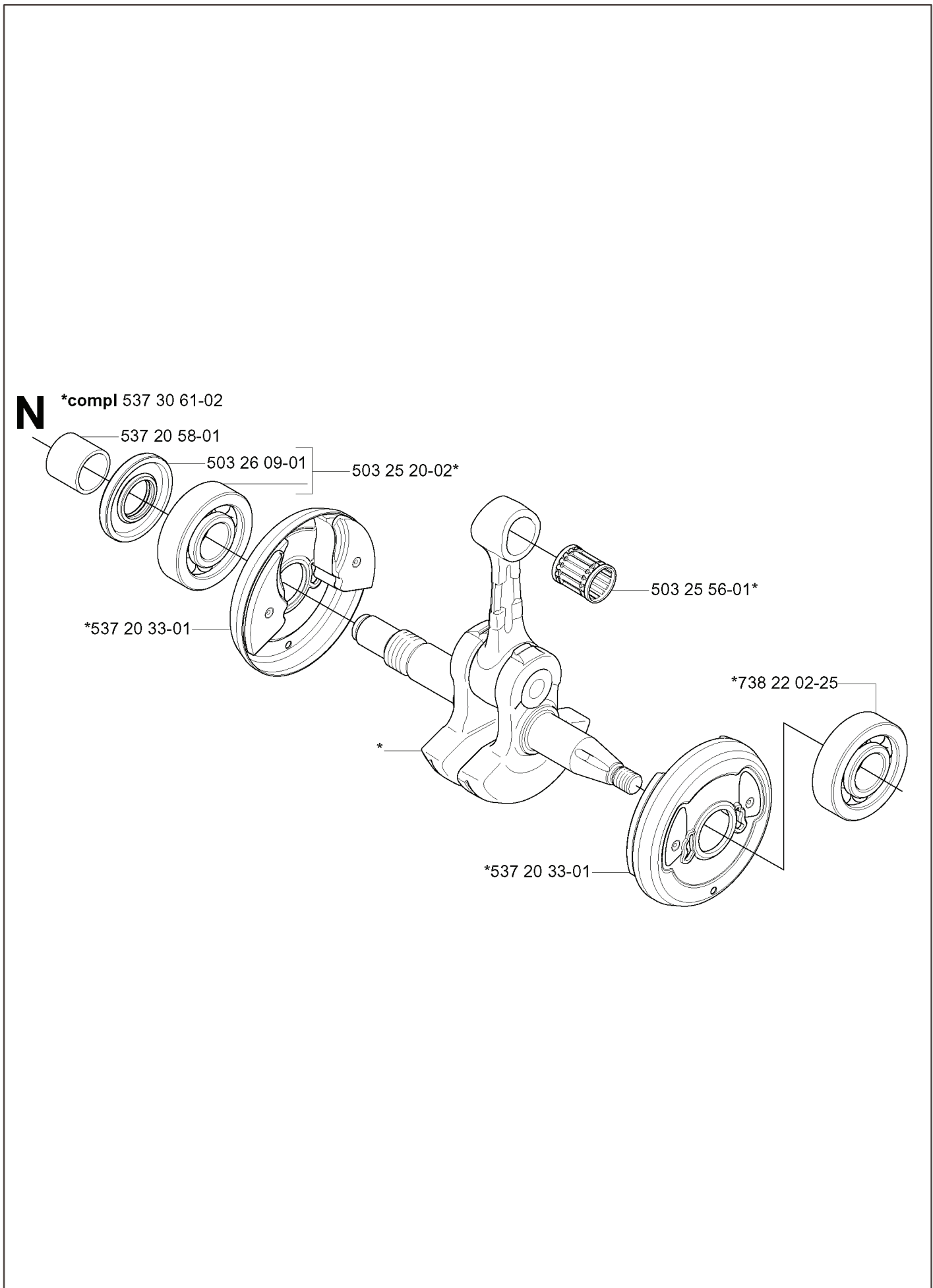
\*537 20 33-01

503 25 56-01\*

\*738 22 02-25

\*

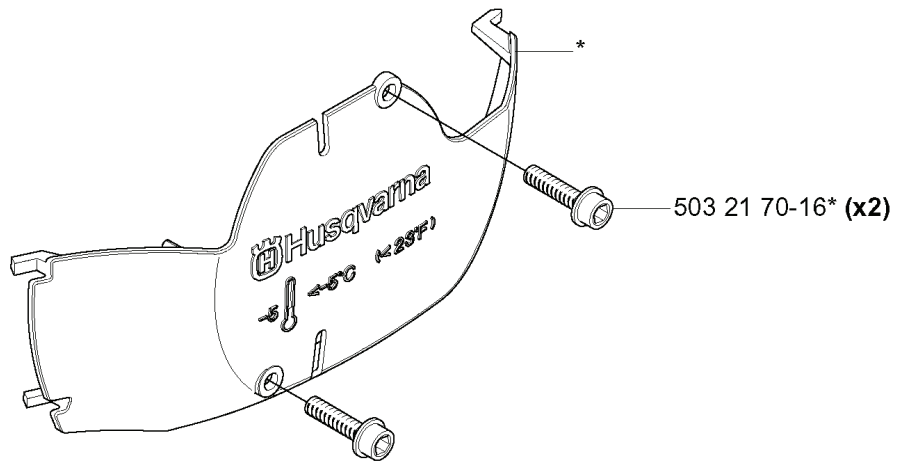
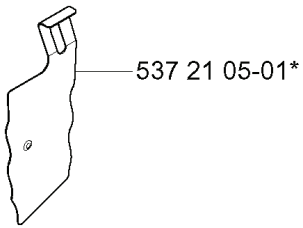
\*537 20 33-01



---

| REF.         | PART NO.  | DESCRIPTION     | REMARK | QTY. | KIT |
|--------------|-----------|-----------------|--------|------|-----|
| 537 30 61-02 | 537306102 | CRANKSHAFT ASSY |        | 1    |     |
| 537 20 58-01 | 537205801 | SLEEVE          |        | 1    |     |
| 503 26 09-01 | 503260901 | SEALING         |        | 1    |     |
| 503 25 20-02 | 503252002 | BALL BEARING    |        | 1    |     |
| 537 20 33-01 | 537203301 | CUP             |        | 1    |     |
| 738 22 02-25 | 738220225 | BALL BEARING    |        | 1    |     |
| 503 25 56-01 | 503255601 | NEEDLE BEARING  |        | 1    |     |

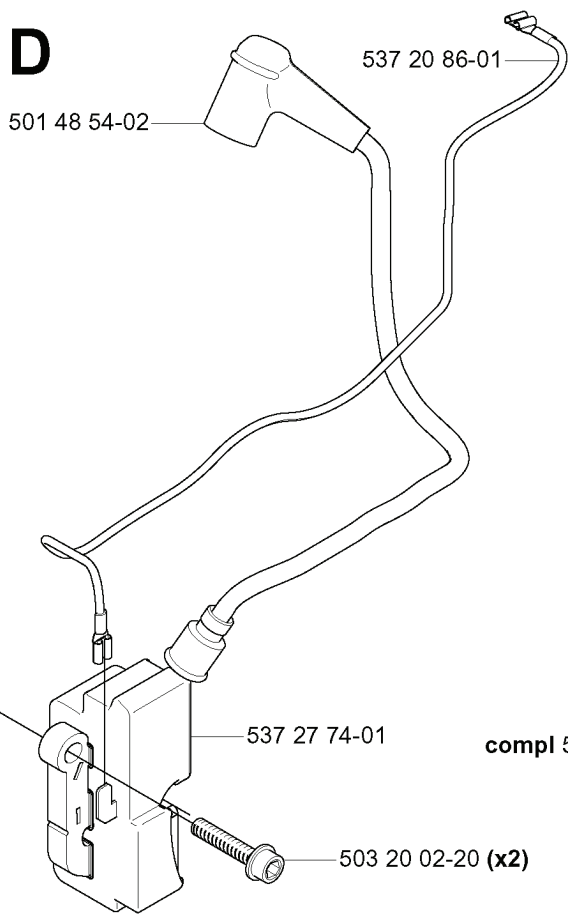
**R** WINTER KIT  
\*compl 537 21 24-01



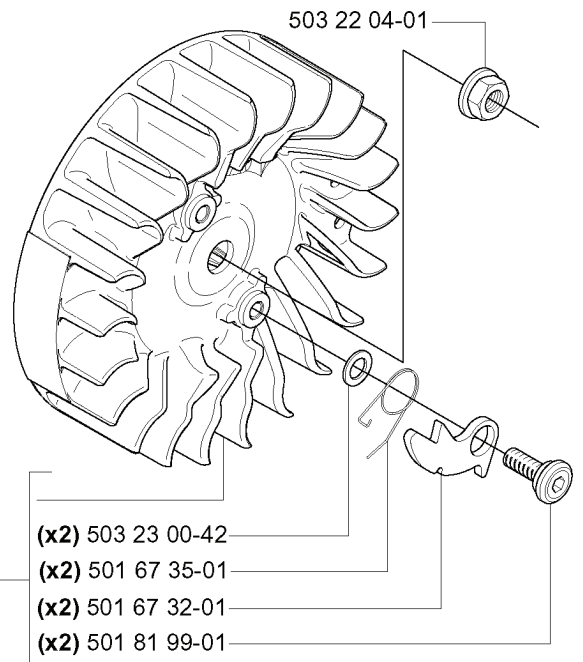
---

| REF.         | PART NO.  | DESCRIPTION   | REMARK | QTY. | KIT |
|--------------|-----------|---------------|--------|------|-----|
| 537 21 24-01 | 537212401 | WINTER KIT    |        | 1    |     |
| 537 21 05-01 | 537210501 | WINTER COVER  |        | 1    |     |
| 503 21 70-16 | 503217016 | SCREW CCRPANT |        | 2    |     |

**D**



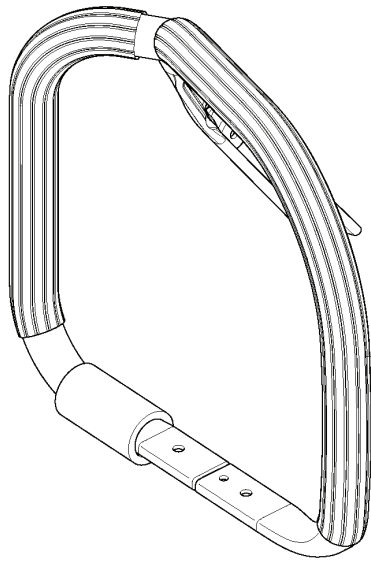
compl 537 20 96-01



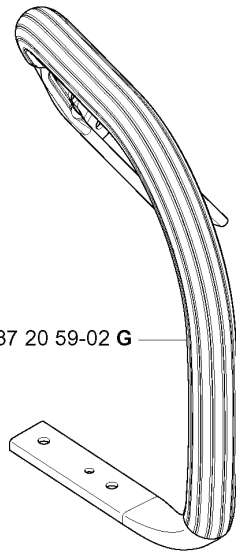
---

| REF.         | PART NO.  | DESCRIPTION         | REMARK | QTY. | KIT |
|--------------|-----------|---------------------|--------|------|-----|
| 537 20 86-01 | 537208601 | SHORT CIRCUIT CABLE |        | 1    |     |
| 501 48 54-02 | 501485402 | SPARK PLUG CAP      |        | 1    |     |
| 537 27 74-01 | 537277401 | IGNITION SYSTEM     |        | 1    |     |
| 503 20 02-20 | 503200220 | SCREW IHSCFM        |        | 2    |     |
| 537 20 96-01 | 537209601 | FLYWHEEL ASSY       |        | 1    |     |
| 501 81 99-01 | 501819901 | SCREW               |        | 2    |     |
| 501 67 32-01 | 501673201 | PAWL                |        | 2    |     |
| 501 67 35-01 | 501673501 | SPRING              |        | 2    |     |
| 503 23 00-42 | 503230042 | WASHER              |        | 2    |     |
| 503 22 04-01 | 503220401 | NUT                 |        | 1    |     |

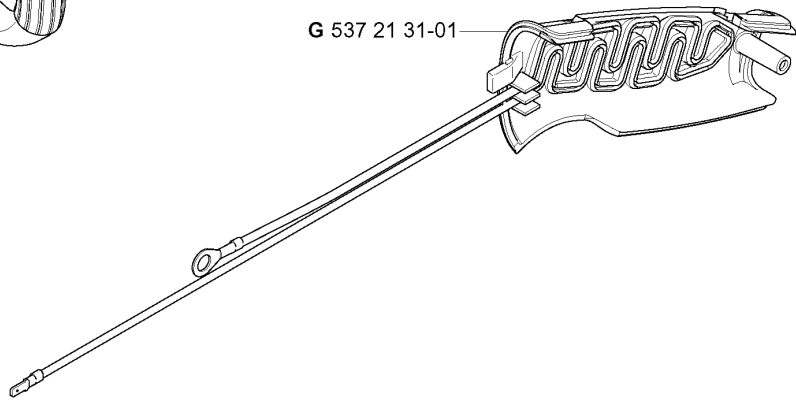
**Q**



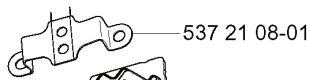
**compl 537 20 89-02 WA G**



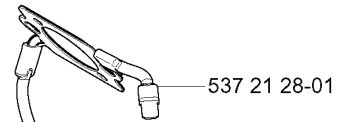
**compl 537 20 59-02 G**



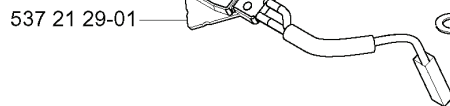
**G 537 21 31-01**



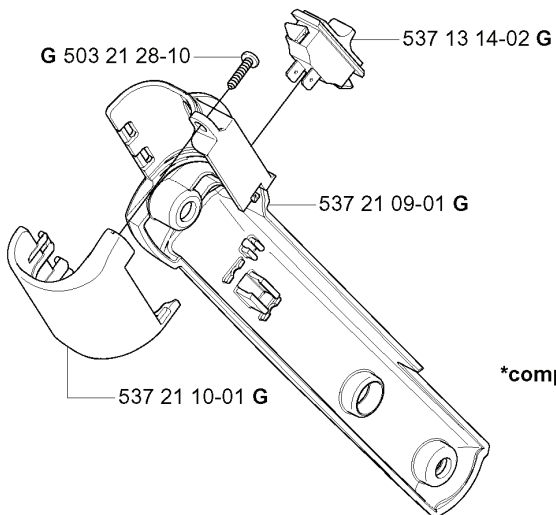
**537 21 08-01**



**537 21 28-01**



**537 21 29-01**

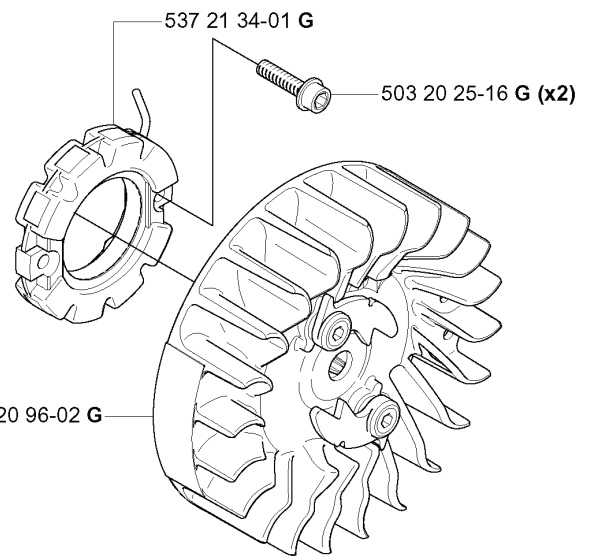


**G 503 21 28-10**

**537 13 14-02 G**

**537 21 09-01 G**

**537 21 10-01 G**



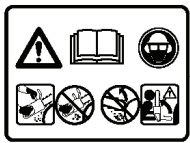
**537 21 34-01 G**

**503 20 25-16 G (x2)**

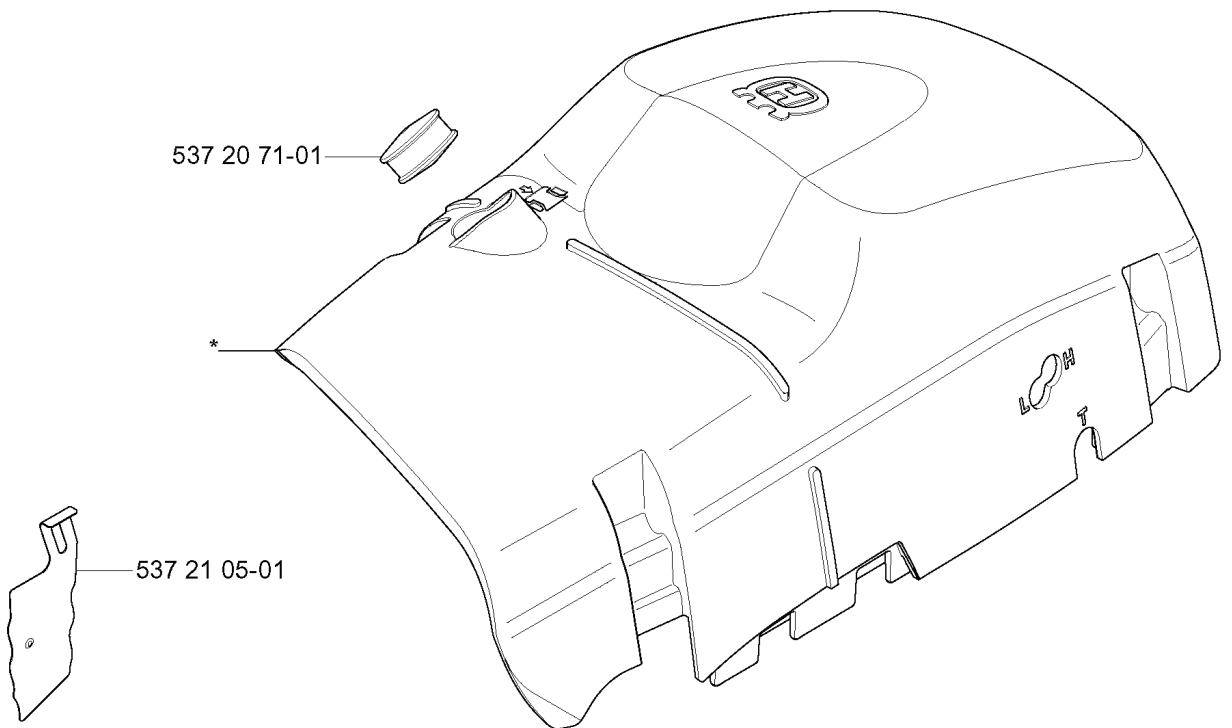
**\*compl 537 20 96-02 G**

| REF.         | PART NO.  | DESCRIPTION       | REMARK | QTY. | KIT |
|--------------|-----------|-------------------|--------|------|-----|
| 537 20 89-02 | 537208902 | HANDLE            | WA G   | 1    |     |
| 537 21 31-01 | 537213101 | COVER             | G      | 1    |     |
| 537 21 08-01 | 537210801 | RETAINER          |        | 1    |     |
| 537 21 29-01 | 537212901 | THERMOSTAT ASSY   |        | 1    |     |
| 503 21 28-10 | 503212810 | SCREW CCRPANT     | G      | 1    |     |
| 537 21 10-01 | 537211001 | HUB CAP           | G      | 1    |     |
| 537 21 09-01 | 537210901 | COVER             | G      | 1    |     |
| 537 13 14-02 | 537131402 | SWITCH            | G      | 1    |     |
| 537 20 96-02 | 537209602 | FLYWHEEL ASSY     | G      | 1    |     |
| 503 20 25-16 | 503202516 | SCREW IHSCM       | G      | 2    |     |
| 537 21 34-01 | 537213401 | GENERATOR STATOR  | G      | 1    |     |
| 537 21 28-01 | 537212801 | FOIL ELEMENT      |        | 1    |     |
| 537 20 59-02 | 537205902 | FRONT HANDLE ASSY | G      | 1    |     |

**E** \*compl 537 21 25-01



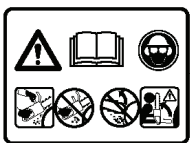
503 98 74-01\*



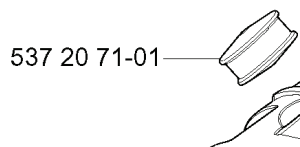
---

| REF.         | PART NO.  | DESCRIPTION    | REMARK | QTY. | KIT |
|--------------|-----------|----------------|--------|------|-----|
| 537 21 25-01 | 537212501 | CYLINDER COVER |        | 1    |     |
| 503 98 74-01 | 503987401 | LABEL          |        | 1    |     |
| 537 20 71-01 | 537207101 | PLUG           |        | 1    |     |
| 537 21 05-01 | 537210501 | WINTER COVER   |        | 1    |     |

**E** \*compl 537 21 25-02



503 98 74-01\*

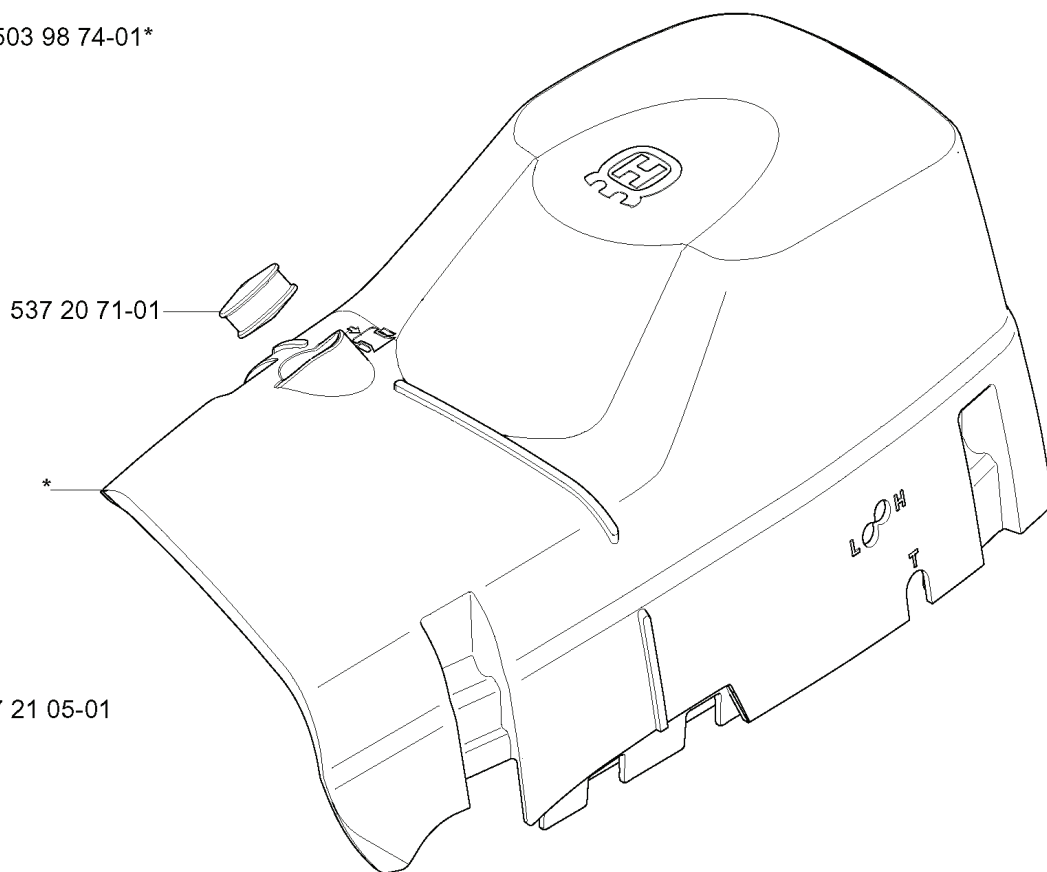


537 20 71-01

\*



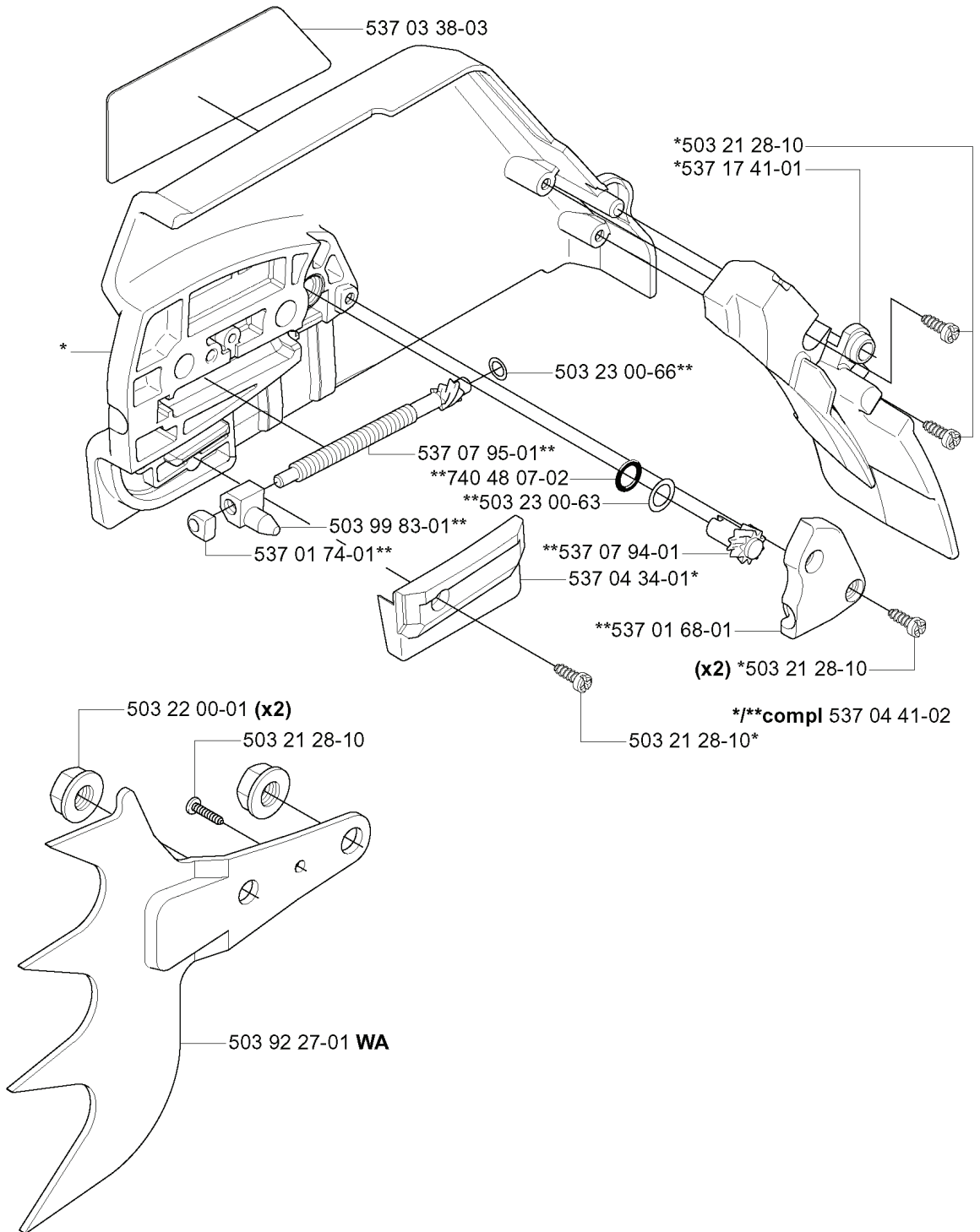
537 21 05-01



---

| REF.         | PART NO.  | DESCRIPTION    | REMARK | QTY. | KIT |
|--------------|-----------|----------------|--------|------|-----|
| 537 21 25-02 | 537212502 | CYLINDER COVER |        | 1    |     |
| 503 98 74-01 | 503987401 | LABEL          |        | 1    |     |
| 537 20 71-01 | 537207101 | PLUG           |        | 1    |     |
| 537 21 05-01 | 537210501 | WINTER COVER   |        | 1    |     |

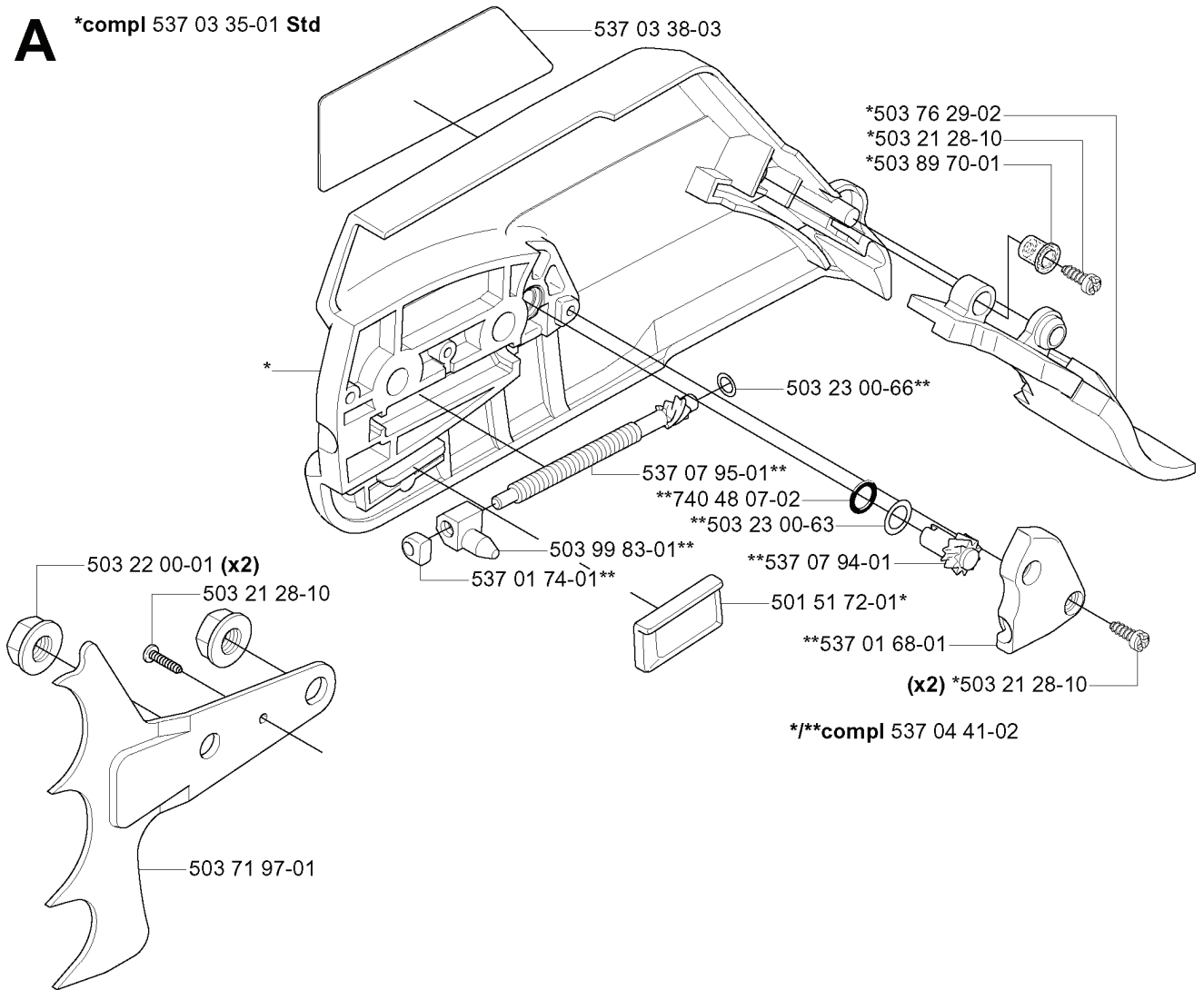
**A** \*compl 537 33 10-01 WA



| REF.         | PART NO.  | DESCRIPTION       | REMARK | QTY. | KIT |
|--------------|-----------|-------------------|--------|------|-----|
| 537 33 10-01 | 537331001 | CLUTCH COVER ASSY | WA     | 1    |     |
| 503 22 00-01 | 503220001 | HEXAGON NUT       |        | 2    |     |
| 503 92 27-01 | 503922701 | SPIKE             | WA     | 1    |     |
| 537 01 74-01 | 537017401 | BEARING SLEEVE    |        | 1    |     |
| 503 99 83-01 | 503998301 | PAWL              |        | 1    |     |
| 537 07 95-01 | 537079501 | WORM SCREW        |        | 1    |     |
| 740 48 07-02 | 740480702 | O-RING            |        | 1    |     |
| 503 23 00-63 | 503230063 | WASHER            |        | 1    |     |
| 537 07 94-01 | 537079401 | WORM WHEEL        |        | 1    |     |
| 537 04 34-01 | 537043401 | CHAIN GUIDE       |        | 1    |     |
| 537 01 68-01 | 537016801 | COVER             |        | 1    |     |
| 537 04 41-02 | 537044102 | CHAIN TENSIONER   |        | 1    |     |
| 503 21 28-10 | 503212810 | SCREW CCRPANT     |        | 2    |     |
| 503 23 00-66 | 503230066 | WASHER            |        | 1    |     |
| 537 17 41-01 | 537174101 | CHIP GUARD        |        | 1    |     |
| 537 03 38-03 | 537033803 | LABEL             |        | 1    |     |

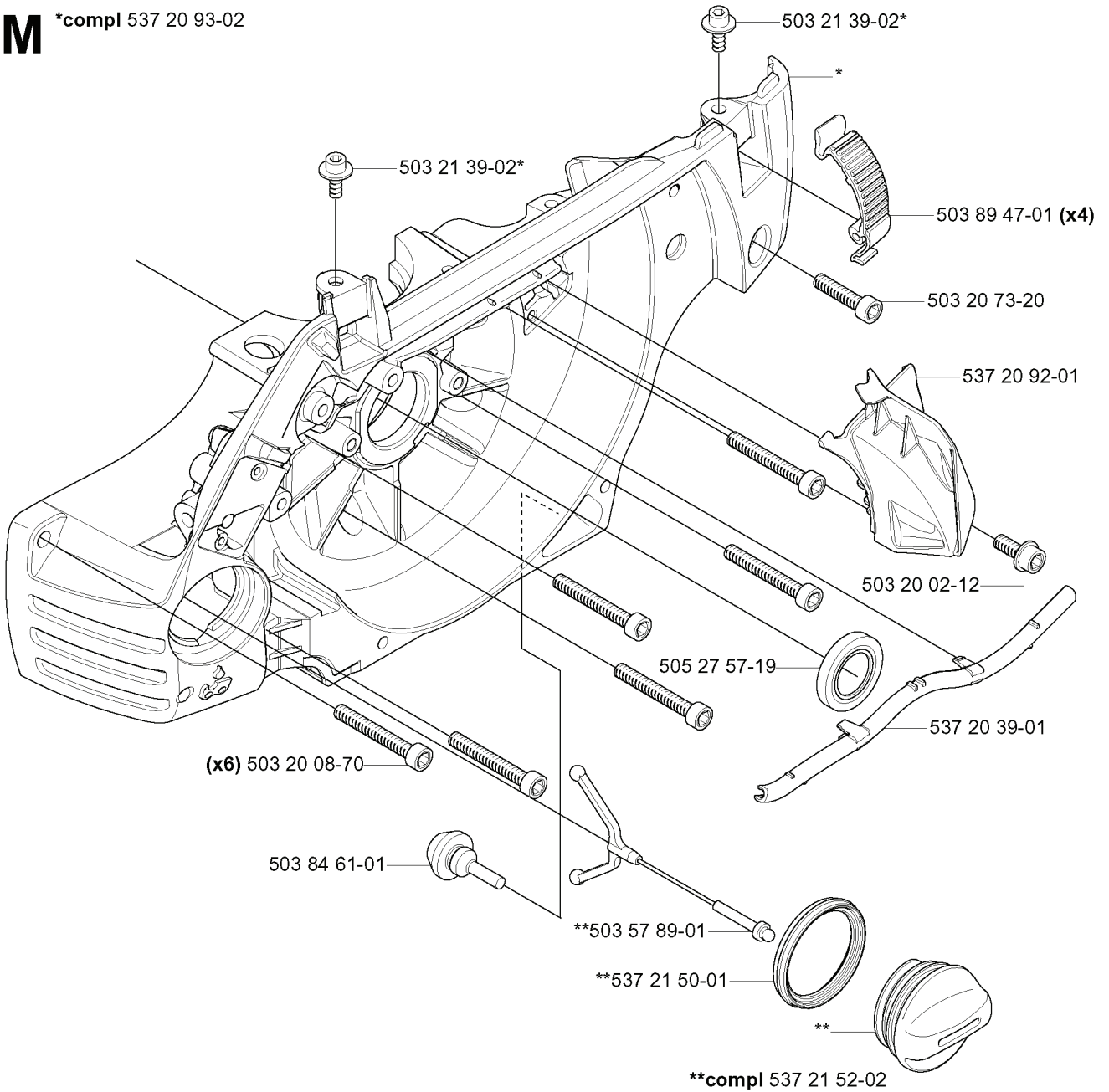
**A**

\*compl 537 03 35-01 Std



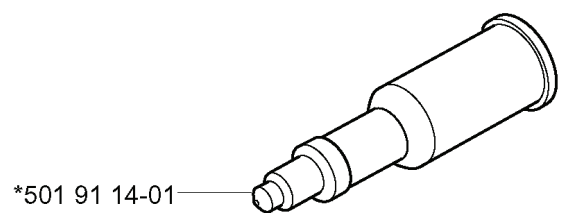
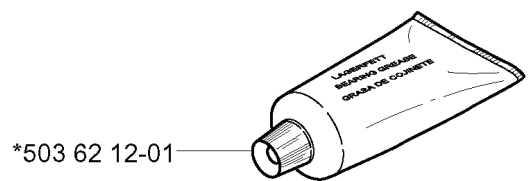
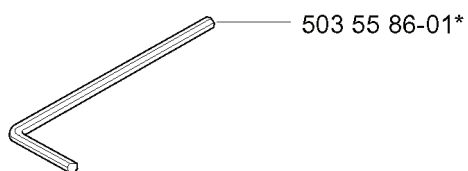
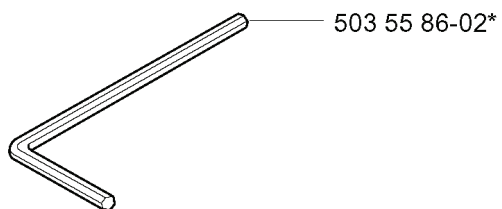
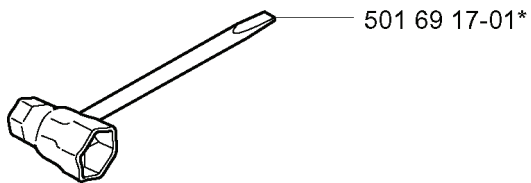
| REF.         | PART NO.  | DESCRIPTION       | REMARK | QTY. | KIT |
|--------------|-----------|-------------------|--------|------|-----|
| 537 03 35-01 | 537033501 | CLUTCH COVER ASSY | STD    | 1    |     |
| 503 22 00-01 | 503220001 | HEXAGON NUT       |        | 2    |     |
| 503 71 97-01 | 503719701 | SPIKE             |        | 1    |     |
| 537 01 74-01 | 537017401 | BEARING SLEEVE    |        | 1    |     |
| 503 99 83-01 | 503998301 | PAWL              |        | 1    |     |
| 537 07 95-01 | 537079501 | WORM SCREW        |        | 1    |     |
| 740 48 07-02 | 740480702 | O-RING            |        | 1    |     |
| 503 23 00-63 | 503230063 | WASHER            |        | 1    |     |
| 537 07 94-01 | 537079401 | WORM WHEEL        |        | 1    |     |
| 501 51 72-01 | 501517201 | CHAIN GUIDE       |        | 1    |     |
| 537 01 68-01 | 537016801 | COVER             |        | 1    |     |
| 537 04 41-02 | 537044102 | CHAIN TENSIONER   |        | 1    |     |
| 503 23 00-66 | 503230066 | WASHER            |        | 1    |     |
| 503 89 70-01 | 503897001 | SLEEVE            |        | 1    |     |
| 503 21 28-10 | 503212810 | SCREW CCRPANT     |        | 1    |     |
| 503 76 29-02 | 503762902 | CHIP GUARD        |        | 1    |     |
| 537 03 38-03 | 537033803 | LABEL             |        | 1    |     |

**M** \*compl 537 20 93-02



| REF.         | PART NO.  | DESCRIPTION    | REMARK | QTY. | KIT |
|--------------|-----------|----------------|--------|------|-----|
| 537 20 93-02 | 537209302 | CRANKCASE ASSY |        | 1    |     |
| 503 20 08-70 | 503200870 | SCREW IHSCM    |        | 6    |     |
| 503 84 61-01 | 503846101 | BUFFER         |        | 1    |     |
| 537 21 52-02 | 537215202 | TANK CAP ASSY  |        | 1    |     |
| 537 21 50-01 | 537215001 | SEALING        |        | 1    |     |
| 503 57 89-01 | 503578901 | HOLDER         |        | 1    |     |
| 537 20 39-01 | 537203901 | CABLE HOLDER   |        | 1    |     |
| 505 27 57-19 | 505275719 | SEALING RING   |        | 1    |     |
| 503 20 02-12 | 503200212 | SCREW IHSCFM   |        | 1    |     |
| 537 20 92-01 | 537209201 | AIR NOZZLE     |        | 1    |     |
| 503 20 73-20 | 503207320 | SCREW IHSCM    |        | 1    |     |
| 503 89 47-01 | 503894701 | SNAP LOCKING   |        | 4    |     |
| 503 21 39-02 | 503213902 | SCREW IHST     |        | 1    |     |

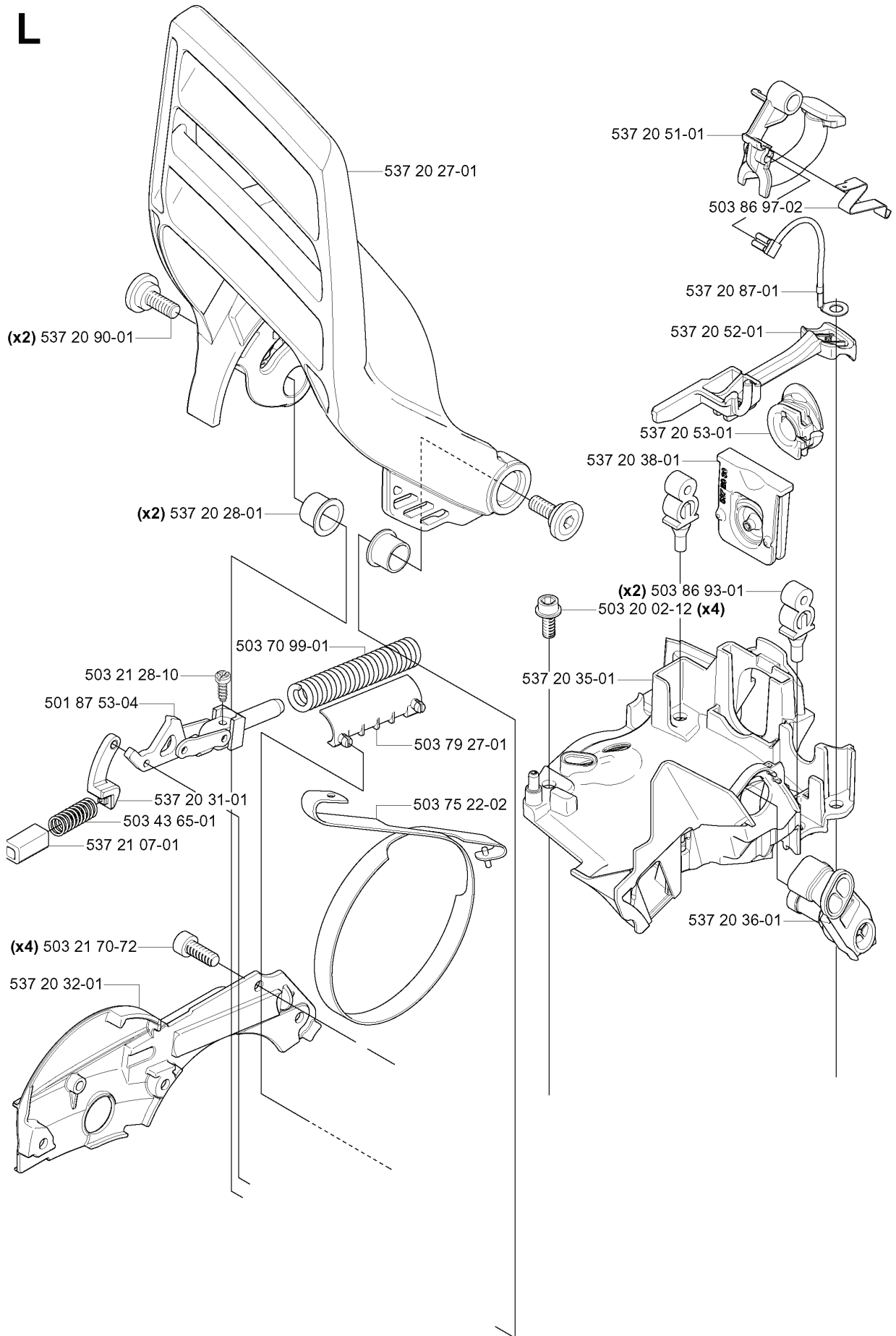
**S** Tillbehör  
Accessories  
Zubehöre  
Accessoires  
Accesorios  
\*compl 503 55 85-01



---

| REF.       | PART NO.  | DESCRIPTION        | REMARK | QTY. | KIT |
|------------|-----------|--------------------|--------|------|-----|
| 5035585-01 | 503558501 | TOOL               |        | 1    |     |
| 5016917-01 | 501691701 | COMBINATION WRENCH |        | 1    |     |
| 5035586-02 | 503558602 | SPANNER            |        | 1    |     |
| 5035586-01 | 503558601 | SPANNER            |        | 1    |     |
| 5019114-01 | 501911401 | GREASE GUN         |        | 1    |     |
| 5036212-01 | 503621201 | GREASE             |        | 1    |     |

**L**



| REF.         | PART NO.  | DESCRIPTION     | REMARK | QTY. | KIT |
|--------------|-----------|-----------------|--------|------|-----|
| 537 20 27-01 | 537202701 | HAND GUARD ASSY |        | 1    |     |
| 537 20 90-01 | 537209001 | SCREW           |        | 2    |     |
| 537 20 28-01 | 537202801 | BUSHING         |        | 2    |     |
| 503 70 99-01 | 503709901 | BRAKE SPRING    |        | 1    |     |
| 503 21 28-10 | 503212810 | SCREW CCRPANT   |        | 1    |     |
| 501 87 53-04 | 501875304 | KNEE JOINT      |        | 1    |     |
| 537 20 31-01 | 537203101 | LOCK            |        | 1    |     |
| 503 43 65-01 | 503436501 | POSITION SPRING |        | 1    |     |
| 537 21 07-01 | 537210701 | SPRING GUIDE    |        | 1    |     |
| 503 21 70-72 | 503217072 | SCREW CCRPANT   |        | 4    |     |
| 537 20 32-01 | 537203201 | HUB CAP         |        | 1    |     |
| 537 20 36-01 | 537203601 | GUIDE BUSHING   |        | 1    |     |
| 503 75 22-02 | 503752202 | BRAKE BAND ASSY |        | 1    |     |
| 503 79 27-01 | 503792701 | SUPPORT         |        | 1    |     |
| 537 20 35-01 | 537203501 | CARBURETTOR     |        | 1    |     |
| 503 20 02-12 | 503200212 | SCREW IHSCFM    |        | 4    |     |
| 503 86 93-01 | 503869301 | SUPPORT         |        | 2    |     |
| 537 20 38-01 | 537203801 | GROMMET         |        | 1    |     |
| 537 20 53-01 | 537205301 | SEALING         |        | 1    |     |
| 537 20 52-01 | 537205201 | CHOKE CONTROL   |        | 1    |     |
| 537 20 87-01 | 537208701 | GROUND CABLE    |        | 1    |     |
| 503 86 97-02 | 503869702 | SPRING          |        | 1    |     |
| 537 20 51-01 | 537205101 | STOP SWITCH     |        | 1    |     |

**H**

\*compl 537 25 45-02 570

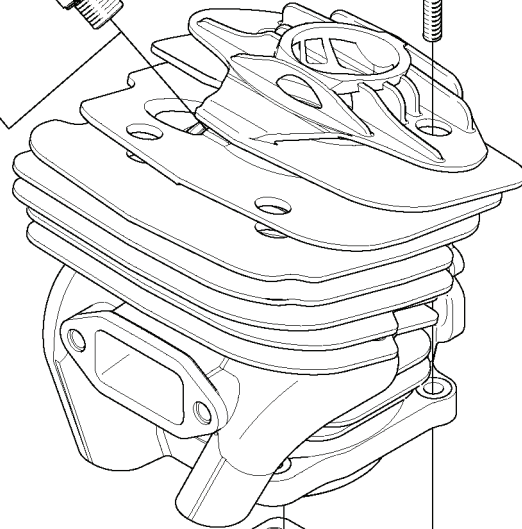
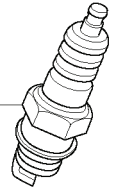
\*537 20 71-01

\*503 55 22-01

537 29 44-01

725 53 33-55 (x4)

503 23 51-11  
**BPMR7A**  
503 23 51-08  
**RCJ 7Y**



537 20 80-01 (1)

\*537 25 47-02

503 28 90-46

\*503 25 56-01



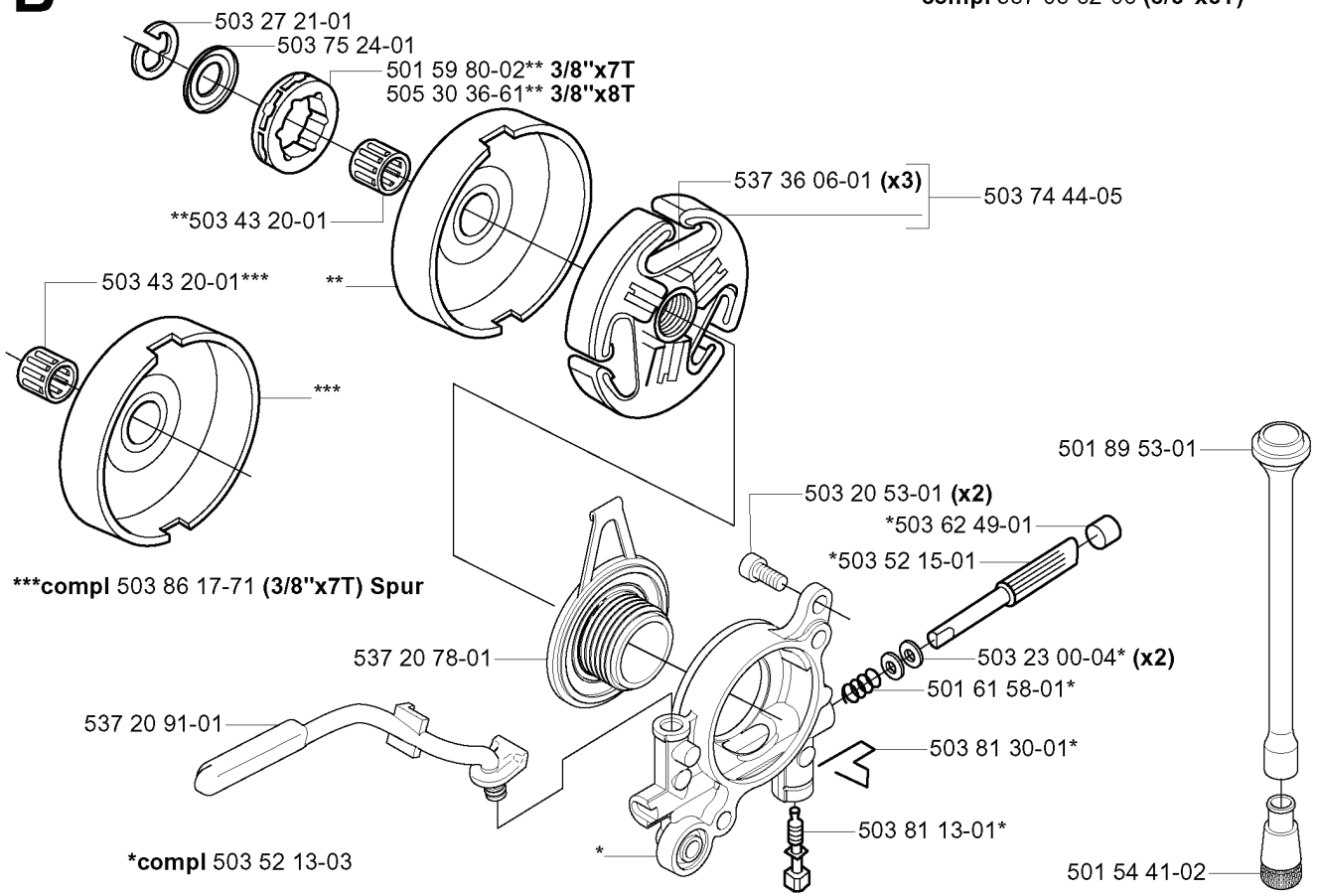
737 43 12-00 (x2)



| REF.         | PART NO.  | DESCRIPTION         | REMARK  | QTY. | KIT |
|--------------|-----------|---------------------|---------|------|-----|
| 537 25 45-02 | 537254502 | CYLINDER            | 570     | 1    |     |
| 537 20 71-01 | 537207101 | PLUG                |         | 1    |     |
| 503 55 22-01 | 503552201 | PLUG                |         | 1    |     |
| 503 25 56-01 | 503255601 | NEEDLE BEARING      |         | 1    |     |
| 737 43 12-00 | 737431200 | SNAP RING           |         | 2    |     |
| 503 28 90-46 | 503289046 | PISTON RING         |         | 1    |     |
| 537 25 47-02 | 537254702 | PISTON              |         | 1    |     |
| 537 20 80-01 | 537208001 | GASKET              |         | 1    |     |
| 537 29 44-01 | 537294401 | DECOMPRESSION VALVE |         | 1    |     |
| 503 23 51-08 | 503235108 | SPARK PLUG          | RCJ 7 Y | 1    |     |
| 503 23 51-11 | 503235111 | SPARK PLUG          | BPMR7A  | 1    |     |
| 725 53 33-55 | 725533355 | SCREW IHSCM         |         | 4    |     |

**B**

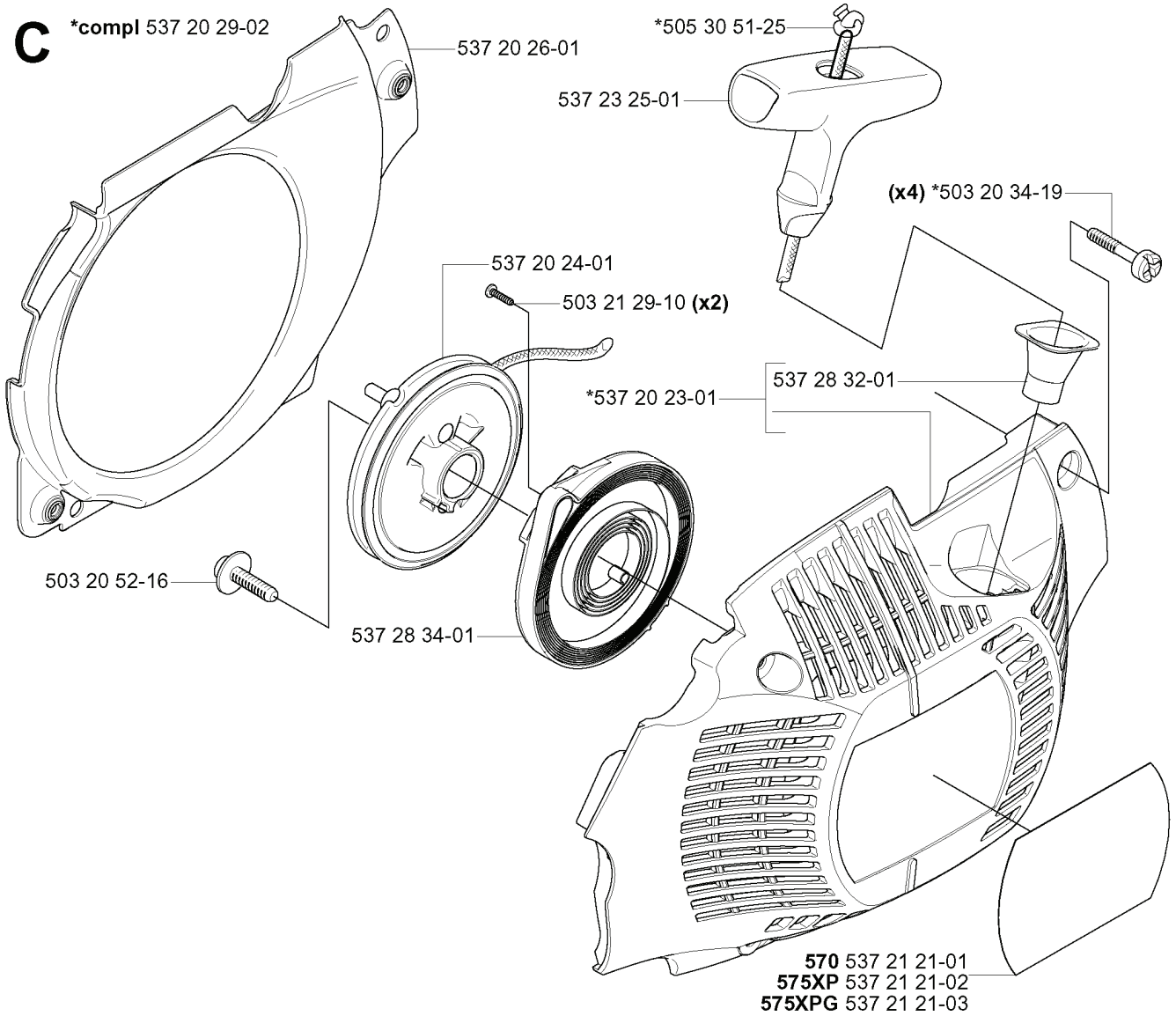
**\*\*compl 537 03 62-05 (3/8"x7T)**  
**\*\*compl 537 03 62-06 (3/8"x8T)**



| REF.         | PART NO.  | DESCRIPTION       | REMARK        | QTY. | KIT |
|--------------|-----------|-------------------|---------------|------|-----|
| 503 27 21-01 | 503272101 | E-CLIP            |               | 1    |     |
| 503 75 24-01 | 503752401 | WASHER            |               | 1    |     |
| 501 59 80-02 | 501598002 | RIM               | 3/8X7T        | 1    |     |
| 505 30 36-61 | 505303661 | RIM               | 3/8X8T        | 1    |     |
| 503 43 20-01 | 503432001 | NEEDLE HOLDER     |               | 1    |     |
| 503 86 17-71 | 503861771 | CLUTCH DRUM       | (3/8X7T) SPUR | 1    |     |
| 537 20 91-01 | 537209101 | OIL PRESSURE HOSE |               | 1    |     |
| 503 52 13-03 | 503521303 | OIL PUMP ASSY     |               | 1    |     |
| 537 20 78-01 | 537207801 | PUMP PINION       |               | 1    |     |
| 501 54 41-02 | 501544102 | OIL SCREEN        |               | 1    |     |
| 503 81 13-01 | 503811301 | SCREW             |               | 1    |     |
| 503 81 30-01 | 503813001 | SPRING            |               | 1    |     |
| 501 61 58-01 | 501615801 | SPRING            |               | 1    |     |
| 503 23 00-04 | 503230004 | WASHER            |               | 2    |     |
| 503 52 15-01 | 503521501 | PUMP PISTON       |               | 1    |     |
| 503 62 49-01 | 503624901 | SEALING PLUG      |               | 1    |     |
| 503 20 53-01 | 503205301 | SCREW IHSCM       |               | 2    |     |
| 501 89 53-01 | 501895301 | OIL HOSE          |               | 1    |     |
| 503 74 44-05 | 503744405 | CLUTCH ASSY       |               | 1    |     |
| 537 36 06-01 | 537360601 | CLUTCH SPRING     |               | 3    |     |
| 537 03 62-06 | 537036206 | CLUTCH DRUM       | 3/8X8T        | 1    |     |
| 537 03 62-05 | 537036205 | CLUTCH DRUM       | 3/8X7T        | 1    |     |

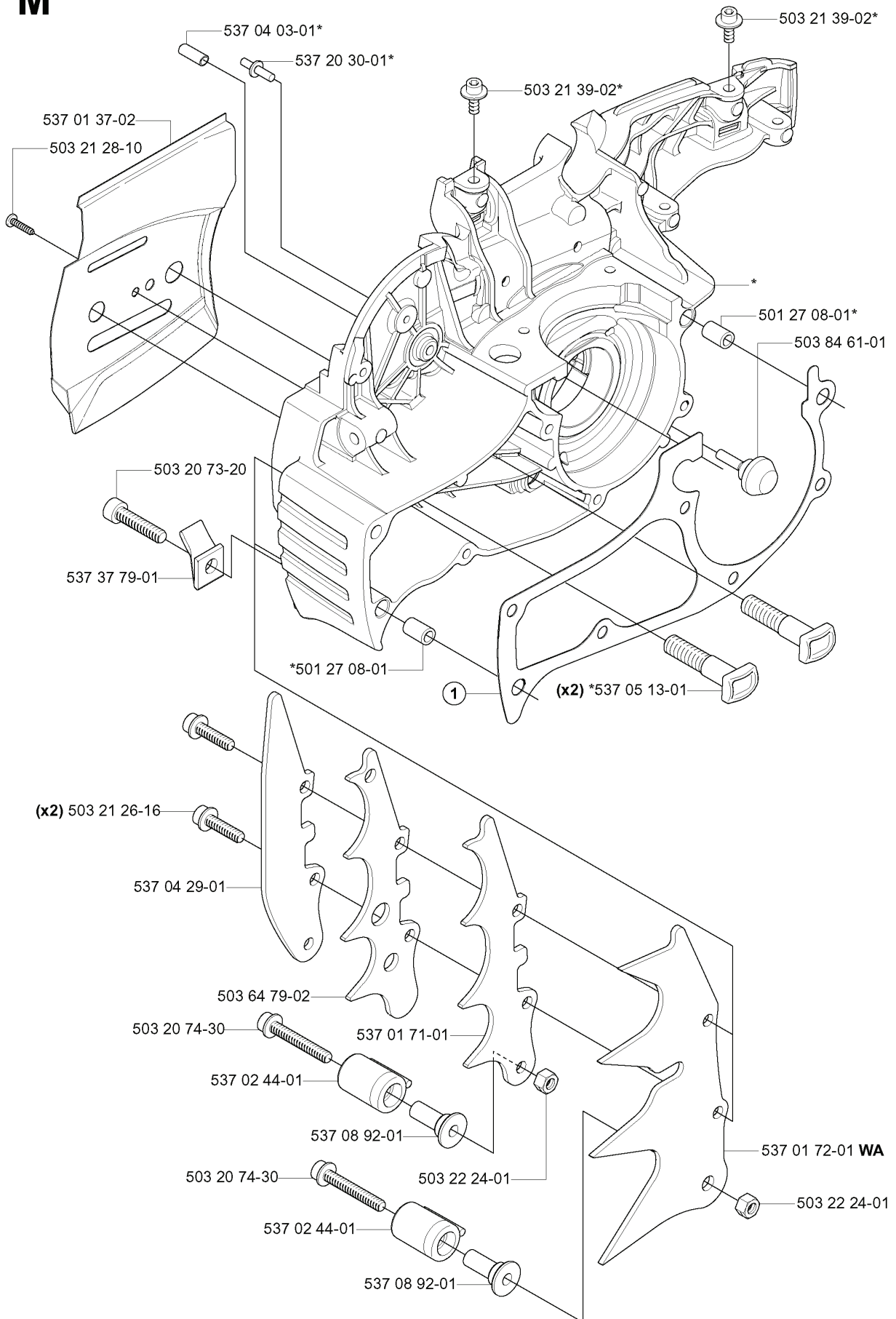
**C**

\*compl 537 20 29-02



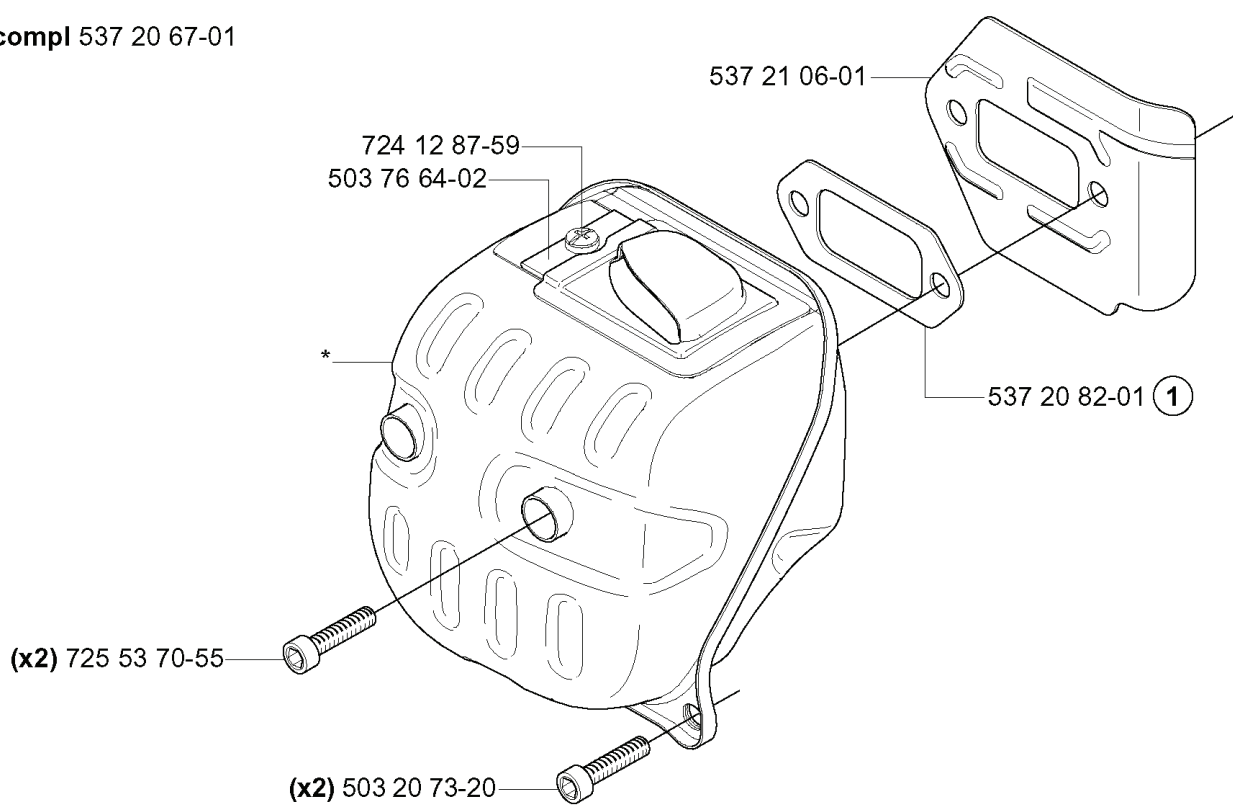
| REF.         | PART NO.  | DESCRIPTION          | REMARK | QTY. | KIT |
|--------------|-----------|----------------------|--------|------|-----|
| 537 20 29-02 | 537202902 | STARTER              |        | 1    |     |
| 503 20 52-16 | 503205216 | SCREW IHSCT          |        | 1    |     |
| 537 28 34-01 | 537283401 | SPRING CASSETTE ASSY |        | 1    |     |
| 537 21 21-03 | 537212103 | LABEL                | 575XPG | 1    |     |
| 537 21 21-02 | 537212102 | LABEL                | 575XP  | 1    |     |
| 537 21 21-01 | 537212101 | LABEL                | 570    | 1    |     |
| 537 20 23-01 | 537202301 | STARTER HOUSING      |        | 1    |     |
| 537 28 32-01 | 537283201 | SLEEVE               |        | 1    |     |
| 503 21 29-10 | 503212910 | SCREW CCRPANT        |        | 2    |     |
| 537 20 24-01 | 537202401 | STARTER PULLEY ASSY  |        | 1    |     |
| 503 20 34-19 | 503203419 | SCREW CCRPANMO       |        | 4    |     |
| 537 23 25-01 | 537232501 | STARTER HANDLE       |        | 1    |     |
| 537 20 26-01 | 537202601 | AIR CONDUCTOR        |        | 1    |     |
| 505 30 51-25 | 505305125 | STARTER ROPE         |        | 1    |     |

**M** \*compl 537 20 93-02



| REF.         | PART NO.  | DESCRIPTION       | REMARK | QTY. | KIT |
|--------------|-----------|-------------------|--------|------|-----|
| 537 20 93-02 | 537209302 | CRANKCASE ASSY    |        | 1    |     |
| 537 04 03-01 | 537040301 | VALVE             |        | 1    |     |
| 537 20 30-01 | 537203001 | PIN KNEE-JOINT    |        | 1    |     |
| 537 01 37-02 | 537013702 | CHAIN GUIDE PLATE |        | 1    |     |
| 503 21 28-10 | 503212810 | SCREW CCRPANT     |        | 1    |     |
| 503 20 73-20 | 503207320 | SCREW IHSCM       |        | 1    |     |
| 537 37 79-01 | 537377901 | CHAIN CATCHER     |        | 1    |     |
| 503 21 26-16 | 503212616 | SCREW IHPANM      |        | 2    |     |
| 537 04 29-01 | 537042901 | BUMPER            |        | 1    |     |
| 503 64 79-02 | 503647902 | SPIKE             |        | 1    |     |
| 537 02 44-01 | 537024401 | WEAR PROTECTION   |        | 1    |     |
| 537 08 92-01 | 537089201 | CHAIN CATCHER     |        | 1    |     |
| 503 20 74-30 | 503207430 | SCREW IHSCFM      |        | 1    |     |
| 503 22 24-01 | 503222401 | LOCK NUT          |        | 1    |     |
| 537 01 71-01 | 537017101 | SPIKE             |        | 1    |     |
| 537 01 72-01 | 537017201 | SPIKE             | WA     | 1    |     |
| 501 27 08-01 | 501270801 | GUIDE BUSHING     |        | 1    |     |
| 537 05 13-01 | 537051301 | BAR BOLT          |        | 2    |     |
| 503 84 61-01 | 503846101 | BUFFER            |        | 1    |     |
| 503 21 39-02 | 503213902 | SCREW IHSC T      |        | 1    |     |

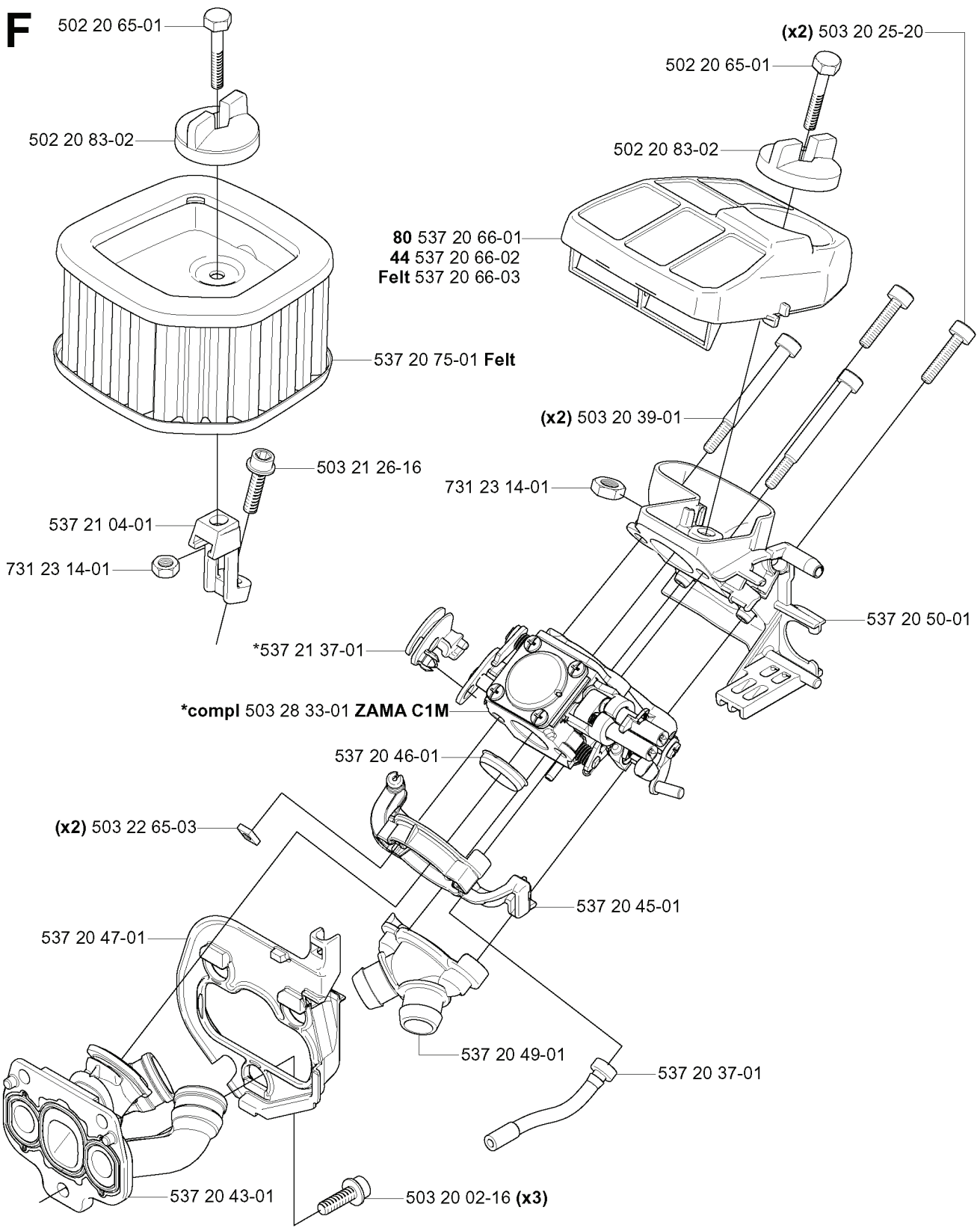
**G** \*compl 537 20 67-01



---

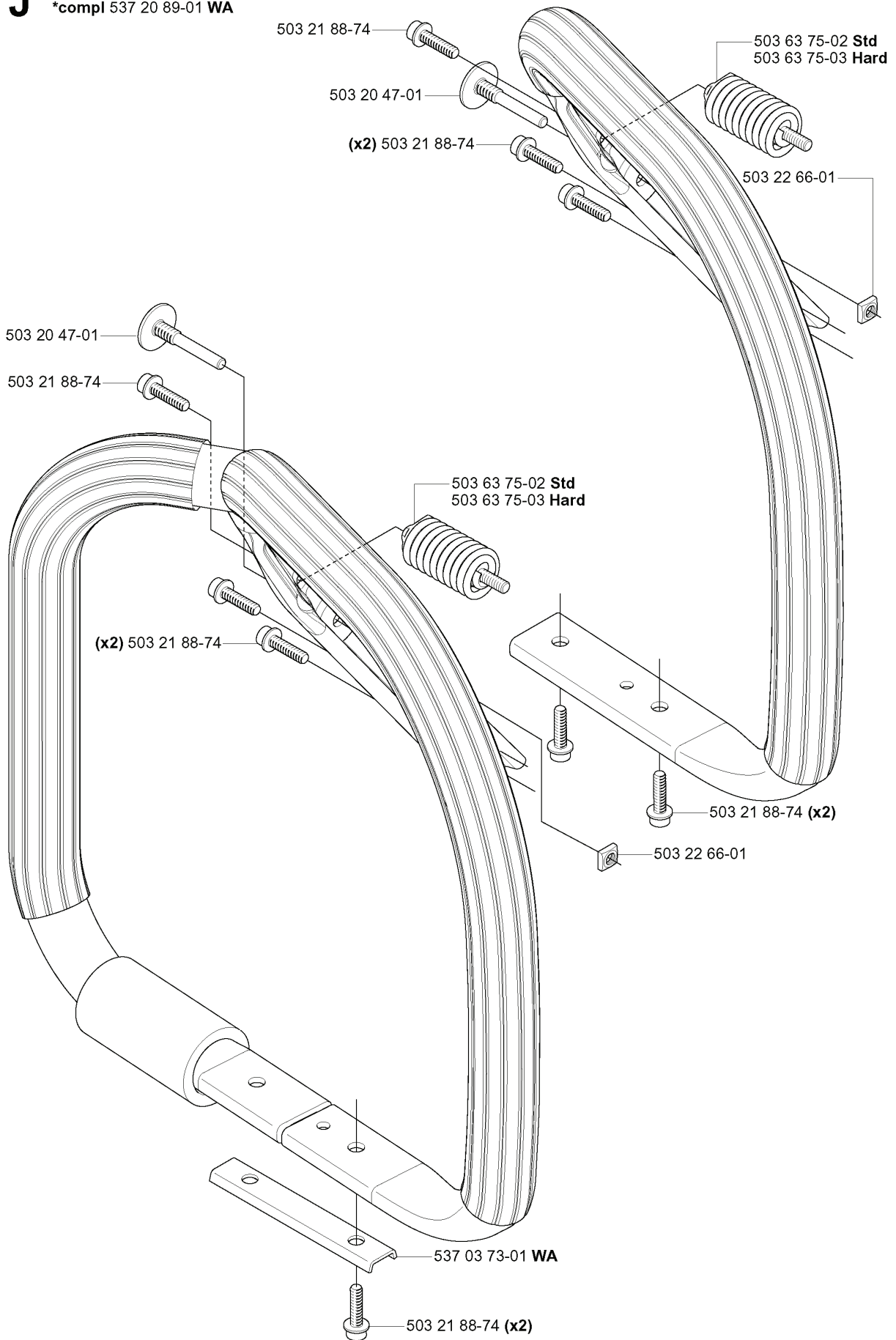
| REF.         | PART NO.  | DESCRIPTION           | REMARK | QTY. | KIT |
|--------------|-----------|-----------------------|--------|------|-----|
| 537 20 67-01 | 537206701 | MUFFLER ASSY          |        | 1    |     |
| 725 53 70-55 | 725537055 | SCREW IHSCM           |        | 2    |     |
| 503 20 73-20 | 503207320 | SCREW IHSCM           |        | 2    |     |
| 503 76 64-02 | 503766402 | SPARK ARRESTER SCREEN |        | 1    |     |
| 724 12 87-59 | 724128759 | SCREW CRPANM          |        | 1    |     |
| 537 20 82-01 | 537208201 | GASKET                |        | 1    |     |
| 537 21 06-01 | 537210601 | HEAT DEFLECTOR        |        | 1    |     |

**F**



| REF.         | PART NO.  | DESCRIPTION     | REMARK   | QTY. | KIT |
|--------------|-----------|-----------------|----------|------|-----|
| 537 21 04-01 | 537210401 | ADAPTER         |          | 1    |     |
| 503 22 65-03 | 503226503 | SQUARE NUT      |          | 2    |     |
| 537 20 47-01 | 537204701 | INSULATION WALL |          | 1    |     |
| 537 20 43-01 | 537204301 | INLET PIPE      |          | 1    |     |
| 503 20 02-16 | 503200216 | SCREW IHSCFM    |          | 3    |     |
| 537 20 49-01 | 537204901 | FLANGE          |          | 1    |     |
| 537 20 46-01 | 537204601 | SUPPORT SLEEVE  |          | 1    |     |
| 503 28 33-01 | 503283301 | CARBURETTOR     | ZAMA C1M | 1    |     |
| 537 21 37-01 | 537213701 | LEVER           |          | 1    |     |
| 503 21 26-16 | 503212616 | SCREW IHANM     |          | 1    |     |
| 537 20 75-03 | 537207503 | AIR FILTER      | 44       | 1    |     |
| 537 20 75-02 | 537207502 | AIR FILTER      | 80       | 1    |     |
| 537 20 75-01 | 537207501 | AIR FILTER      | FELT     | 1    |     |
| 537 20 66-03 | 537206603 | AIR FILTER ASSY | FELT     | 1    |     |
| 537 20 66-02 | 537206602 | AIR FILTER ASSY | 44       | 1    |     |
| 537 20 66-01 | 537206601 | AIR FILTER ASSY | 80       | 1    |     |
| 503 20 39-01 | 503203901 | SCREW IHSCM     |          | 2    |     |
| 731 23 14-01 | 731231401 | HEXAGON NUT     |          | 1    |     |
| 537 20 45-01 | 537204501 | FLANGE          |          | 1    |     |
| 537 20 37-01 | 537203701 | IMPULSE HOSE    |          | 1    |     |
| 537 20 50-01 | 537205001 | FILTER HOLDER   |          | 1    |     |
| 502 20 83-02 | 502208302 | KNOB            |          | 1    |     |
| 502 20 65-01 | 502206501 | SCREW EHHM      |          | 1    |     |
| 503 20 25-20 | 503202520 | SCREW IHSCM     |          | 2    |     |

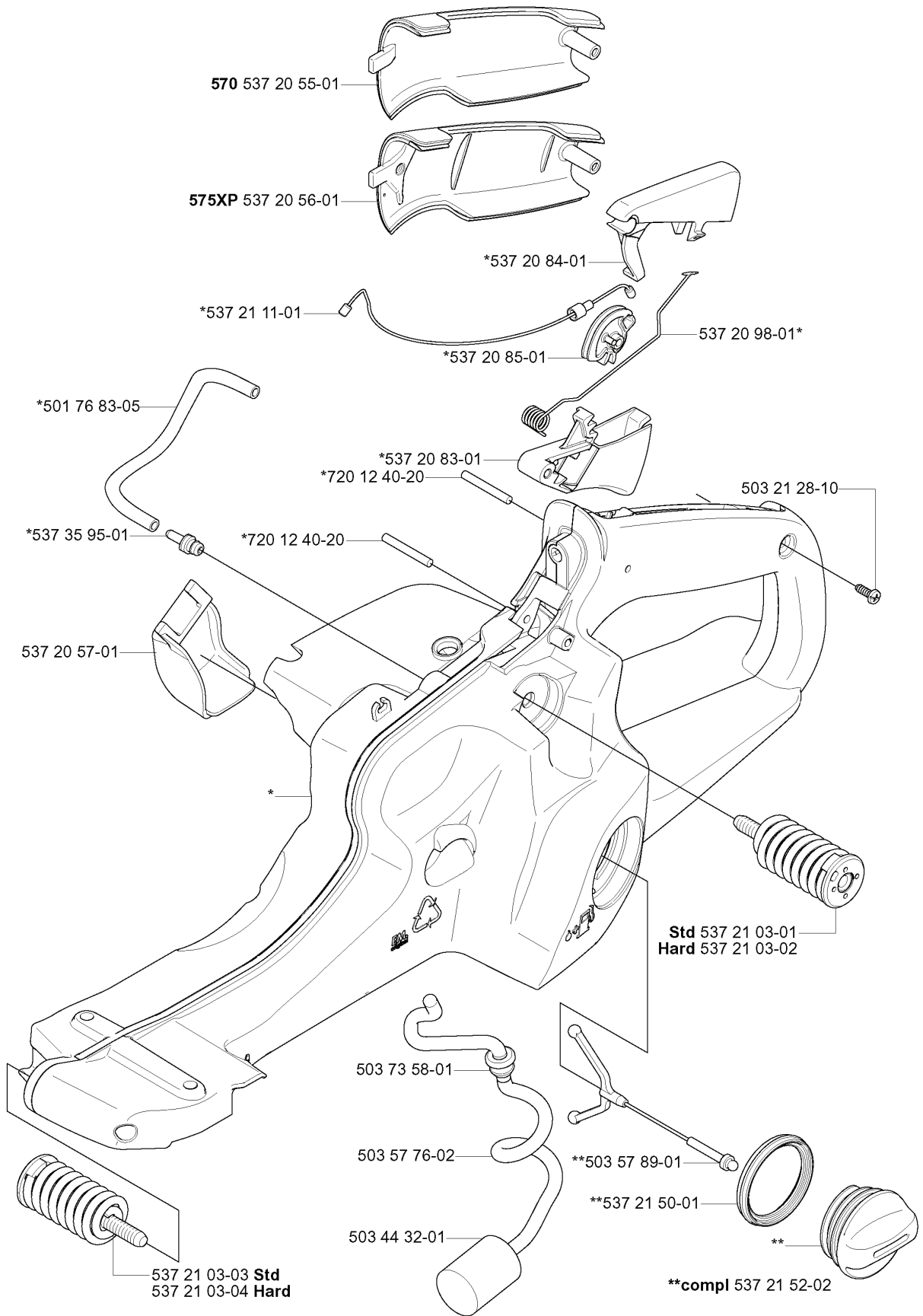
**J** \*compl 537 20 59-01  
\*compl 537 20 89-01 **WA**



---

| REF.         | PART NO.  | DESCRIPTION           | REMARK | QTY. | KIT |
|--------------|-----------|-----------------------|--------|------|-----|
| 537 20 59-01 | 537205901 | FRONT HANDLE ASSY     |        | 1    |     |
| 537 20 89-01 | 537208901 | HANDLE                | WA     | 1    |     |
| 503 20 47-01 | 503204701 | SCREW IHANM           |        | 1    |     |
| 537 03 73-01 | 537037301 | REINFORCING PLATE     | WA     | 1    |     |
| 503 63 75-03 | 503637503 | ANTIVIBRATION ELEMENT | HARD   | 1    |     |
| 503 21 88-74 | 503218874 | SCREW IHSCT           |        | 2    |     |
| 503 22 66-01 | 503226601 | SQUARE NUT            |        | 1    |     |
| 503 63 75-02 | 503637502 | ANTIVIBRATION ELEMENT | STD    | 1    |     |

**K** \*compl 537 21 35-04



| REF.         | PART NO.  | DESCRIPTION           | REMARK | QTY. | KIT |
|--------------|-----------|-----------------------|--------|------|-----|
| 537 21 35-04 | 537213504 | FUEL TANK             |        | 1    |     |
| 537 20 55-01 | 537205501 | COVER                 | 570    | 1    |     |
| 537 20 56-01 | 537205601 | COVER                 | 575XP  | 1    |     |
| 537 21 11-01 | 537211101 | THROTTLE CABLE        |        | 1    |     |
| 501 76 83-05 | 501768305 | FUEL HOSE             |        | 1    |     |
| 537 35 95-01 | 537359501 | TANK VENT ASSY        |        | 1    |     |
| 537 20 57-01 | 537205701 | COVER                 |        | 1    |     |
| 537 21 03-03 | 537210303 | ANTIVIBRATION ELEMENT | STD    | 1    |     |
| 537 21 03-04 | 537210304 | ANTIVIBRATION ELEMENT | HARD   | 1    |     |
| 503 44 32-01 | 503443201 | FUEL FILTER           |        | 1    |     |
| 503 57 76-02 | 503577602 | FUEL HOSE             |        | 1    |     |
| 503 73 58-01 | 503735801 | BUSHING               |        | 1    |     |
| 720 12 40-20 | 720124020 | PARALLEL PIN          |        | 1    |     |
| 537 20 83-01 | 537208301 | THROTTLE TRIGGER      |        | 1    |     |
| 537 20 85-01 | 537208501 | LEVER                 |        | 1    |     |
| 537 20 84-01 | 537208401 | THROTTLE LOCKOUT      |        | 1    |     |
| 503 57 89-01 | 503578901 | HOLDER                |        | 1    |     |
| 537 21 50-01 | 537215001 | SEALING               |        | 1    |     |
| 537 21 52-02 | 537215202 | TANK CAP ASSY         |        | 1    |     |
| 537 21 03-02 | 537210302 | ANTIVIBRATION ELEMENT | HARD   | 1    |     |
| 537 21 03-01 | 537210301 | ANTIVIBRATION ELEMENT | STD    | 1    |     |
| 503 21 28-10 | 503212810 | SCREW CCRPANT         |        | 1    |     |
| 537 20 98-01 | 537209801 | SPRING                |        | 1    |     |