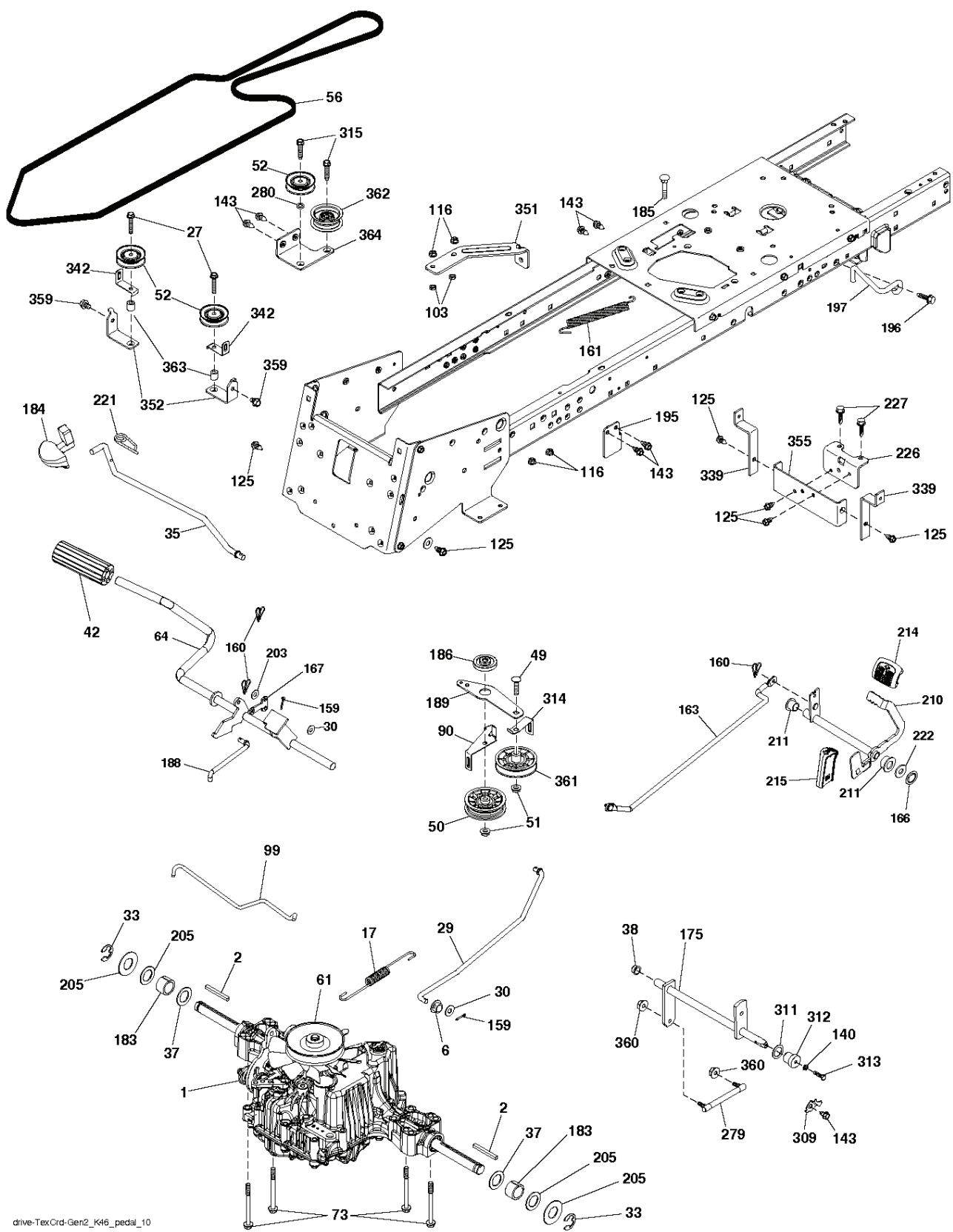


CTH 194, 96051002900, 2011-12

SPARE PARTS LIST

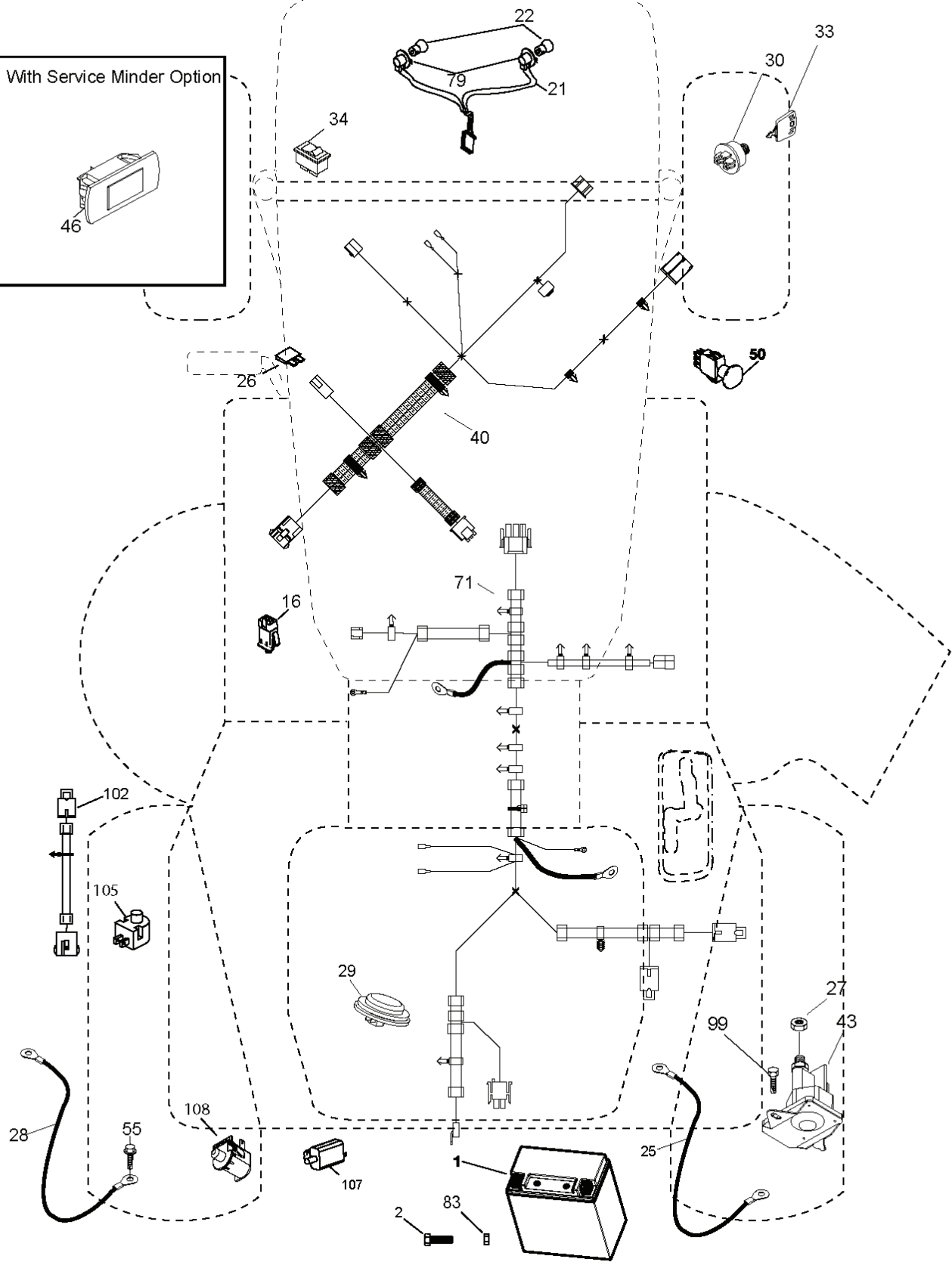
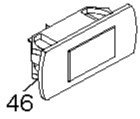
| REF. | PART NO. | DESCRIPTION | REMARK | QTY. | KIT |
|------|-----------|---------------|--------|------|-----|
| 3 | 532405012 | LOGOTYPE | | 1 | |
| 5 | 532438966 | DASH | | 1 | |
| 14 | 532441267 | HOOD | | 1 | |
| 15 | 532441428 | LENS | | 1 | |
| 18 | 532441368 | GRILLE | | 1 | |
| 25 | 532441427 | LENS | | 1 | |
| 34 | 532196125 | PLATE | | 1 | |
| 36 | 817060512 | SCREW | | 1 | |
| 37 | 532441419 | FENDER | | 1 | |
| 52 | 873680500 | NUT | | 1 | |
| 62 | 872110608 | BOLT | | 1 | |
| 68 | 817490508 | SCREW | | 1 | |
| 118 | 819131316 | WASHER | | 1 | |
| 119 | 873680600 | NUT | | 1 | |
| 130 | 532416358 | SCREW | | 1 | |
| 137 | 532407590 | DAMPING PIECE | | 1 | |
| 150 | 532407537 | AIR CONDUCTOR | | 1 | |
| 151 | 532407807 | BRACKET | | 1 | |
| 152 | 532436086 | SHIELD | | 1 | |
| 156 | 872140614 | BOLT | | 1 | |
| 159 | 817000612 | SCREW | | 1 | |
| 162 | 532142432 | SCREW | | 1 | |
| 171 | 532441289 | BAGGER | | 1 | |
| 175 | 532199472 | PLATE | | 1 | |
| 176 | 532400776 | SCREW | | 1 | |
| 177 | 532195227 | BUSHING | | 1 | |
| 179 | 532168937 | WASHER | | 1 | |
| 180 | 583902701 | CHASSIS | | 1 | |
| 182 | 532436776 | DASH | | 1 | |
| 183 | 874520520 | BOLT | | 1 | |
| 189 | 817000512 | SCREW | | 1 | |
| 191 | 532416501 | INSERT | | 1 | |
| 194 | 873900500 | NUT | | 1 | |
| 198 | 532441552 | INDICATOR | | 1 | |
| 199 | 532418739 | PLATE | | 1 | |
| 202 | 532441342 | COVER | | 1 | |
| 203 | 532441343 | COVER | | 1 | |
| 204 | 532441375 | COVER | | 1 | |
| 205 | 532441344 | SKIRT | | 1 | |
| 206 | 532441345 | SKIRT | | 1 | |
| 213 | 874760512 | BOLT | | 1 | |
| 214 | 532199145 | CLIP | | 1 | |
| 217 | 532409167 | ROD | | 1 | |
| 218 | 532196395 | PLATE | | 1 | |
| 228 | 532195161 | STUD | | 1 | |
| 234 | 532404742 | DAMPING PIECE | | 1 | |
| 235 | 532406129 | SPACER | | 1 | |
| 236 | 873930500 | NUT | | 1 | |
| 238 | 532441374 | SPARE PARTS | | 1 | |
| 239 | 532404883 | CLIP | | 1 | |
| 282 | 532414110 | CLIP | | 1 | |
| 283 | 532447212 | CONSOLE | | 1 | |
| 284 | 532447220 | CONSOLE | | 1 | |
| 287 | 817600406 | SCREW | | 1 | |
| 297 | 532406665 | INSERT | | 1 | |
| 308 | 532171877 | BOLT | | 1 | |
| 309 | 532447779 | BACK PLATE | | 1 | |
| 319 | 532446876 | BRACKET | | 1 | |
| 334 | 532442537 | BRACKET | | 1 | |
| 338 | 532436640 | BOLT | | 1 | |
| 339 | 532441288 | LEVER | | 1 | |
| 340 | 532447478 | DOOR | | 1 | |
| 342 | 532435938 | SUPPORT | | 1 | |
| 343 | 532440749 | CLIP | | 1 | |
| 344 | 532438970 | CONTROL | | 1 | |
| 345 | 532440639 | KNOB | | 1 | |
| 347 | 532445832 | HITCH | | 1 | |
| 348 | 532444926 | COVER | | 1 | |
| 349 | 532436606 | SUPPORT | | 1 | |



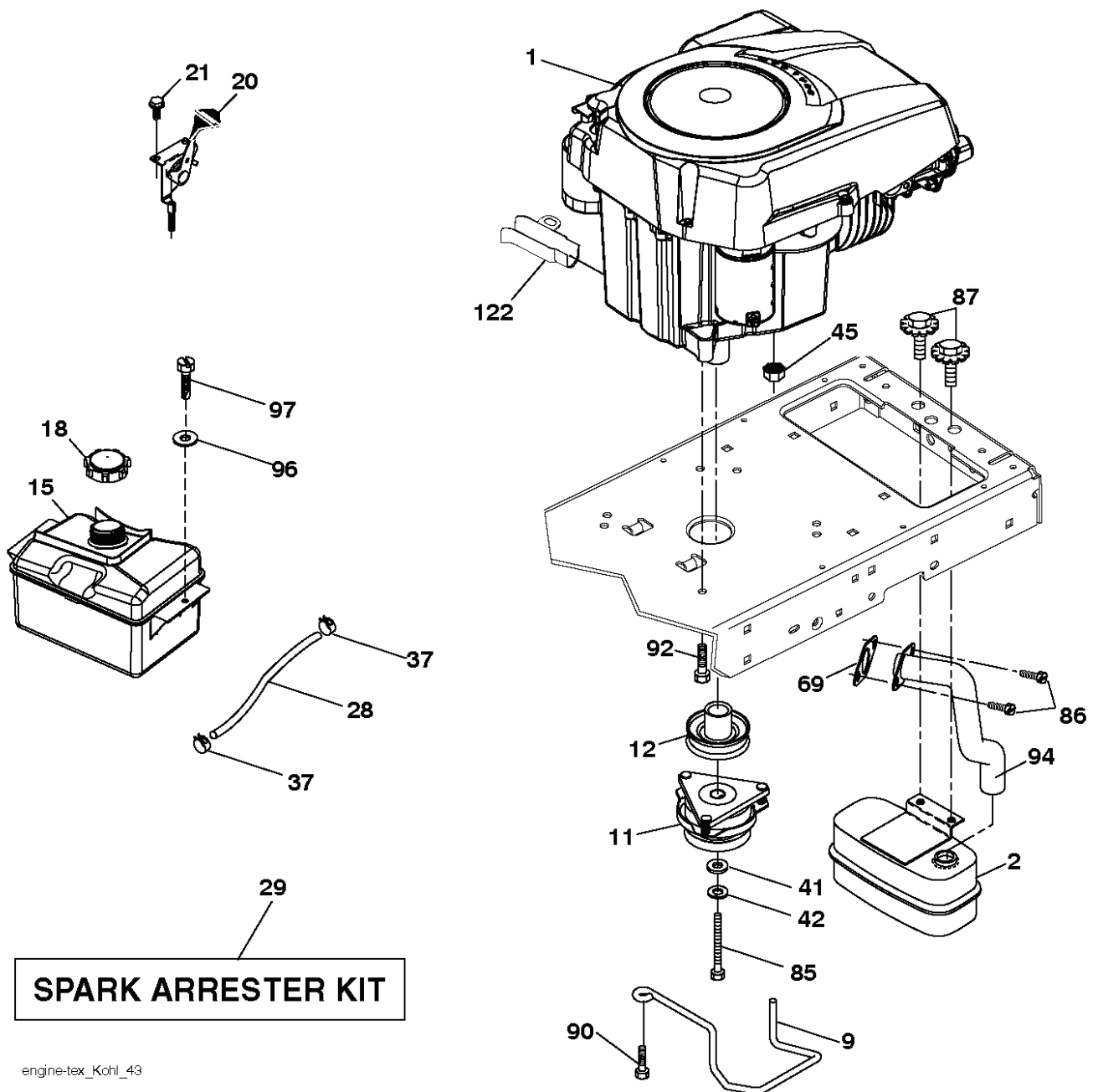
| REF. | PART NO. | DESCRIPTION | REMARK | QTY. | KIT |
|------|-----------|-----------------|--------------------------------------|------|-----|
| 1 | 000000000 | W/O DESCRIPTION | Transaxle Tufftorq K46DF (446488) | 1 | |
| 2 | 532123583 | KEY | | 1 | |
| 6 | 532124028 | BUSHING | | 1 | |
| 17 | 532436227 | SPRING | | 1 | |
| 27 | 817490528 | SCREW | | 1 | |
| 29 | 532442795 | ROD | | 1 | |
| 30 | 819131616 | WASHER | | 1 | |
| 33 | 812000001 | RETAINER RING | | 1 | |
| 35 | 532401031 | ROD | | 1 | |
| 37 | 532121749 | WASHER | | 1 | |
| 38 | 532169613 | SLEEVE | | 1 | |
| 42 | 532124872 | PEDAL RUBBER | | 1 | |
| 49 | 872110614 | BOLT | | 1 | |
| 50 | 532194327 | PULLEY | | 1 | |
| 51 | 873900600 | NUT | | 1 | |
| 52 | 532199534 | PULLEY | | 1 | |
| 56 | 532442781 | BELT | | 1 | |
| 61 | 532445151 | PULLEY | | 1 | |
| 64 | 532197865 | SHAFT | | 1 | |
| 73 | 874490544 | SCREW | | 1 | |
| 90 | 532443605 | KEEPER | | 1 | |
| 99 | 532443947 | ROD | | 1 | |
| 103 | 873350500 | NUT | | 1 | |
| 116 | 873900500 | NUT | | 1 | |
| 125 | 817000512 | SCREW | | 1 | |
| 140 | 810040400 | WASHER | | 1 | |
| 143 | 817490508 | SCREW | | 1 | |
| 159 | 876020412 | SPLIT PIN | | 1 | |
| 160 | 532169484 | PIN | | 1 | |
| 161 | 532105709 | SPRING | | 1 | |
| 163 | 532442793 | ROD | | 1 | |
| 166 | 532429164 | NUT | | 1 | |
| 167 | 532405257 | LATCH | | 1 | |
| 175 | 532429359 | SHAFT | | 1 | |
| 183 | 532137057 | SPACER | | 1 | |
| 184 | 532441407 | BRAKE | | 1 | |
| 185 | 872110622 | BOLT | | 1 | |
| 186 | 532194321 | SPACER | | 1 | |
| 188 | 532194323 | LINK | | 1 | |
| 189 | 532433611 | BELLCRANK | | 1 | |
| 195 | 532435865 | BRACKET | | 1 | |
| 196 | 817000616 | SCREW | | 1 | |
| 197 | 532195804 | BRACKET | | 1 | |
| 203 | 819111116 | WASHER | | 1 | |
| 205 | 532121748 | WASHER | | 1 | |
| 210 | 532400980 | PEDAL ARM | | 1 | |
| 211 | 532120183 | BEARING | | 1 | |
| 214 | 532421263 | PAD | | 1 | |
| 215 | 532419482 | PEDAL RUBBER | | 1 | |
| 221 | 532403187 | SPRING | | 1 | |
| 222 | 879212010 | WASHER | | 1 | |
| 226 | 532401564 | BRACKET | | 1 | |
| 227 | 817490512 | SCREW | | 1 | |
| 279 | 532444283 | LINK | | 1 | |
| 280 | 819111012 | WASHER | | 1 | |
| 309 | 532165581 | RETAINER | | 1 | |
| 311 | 532169845 | WASHER | | 1 | |
| 312 | 532165614 | HUB | | 1 | |
| 313 | 874780416 | BOLT | | 1 | |
| 314 | 532444713 | RETAINER | | 1 | |
| 315 | 817580520 | BOLT | | 1 | |
| 339 | 532436867 | STRAP | | 1 | |
| 342 | 532182682 | BELT GUIDE | | 1 | |
| 351 | 532436998 | BRACKET | | 1 | |
| 352 | 532435645 | BRACKET | | 1 | |
| 355 | 532435669 | STRAP | | 1 | |
| 359 | 817490610 | SCREW | | 1 | |
| 360 | 532444714 | NUT | | 1 | |
| 361 | 532194326 | PULLEY | | 1 | |
| 362 | 532436812 | IDLER | | 1 | |
| 363 | 532442780 | SPACER | | 1 | |
| 364 | 532443032 | BRACKET | | 1 | |

TC09S

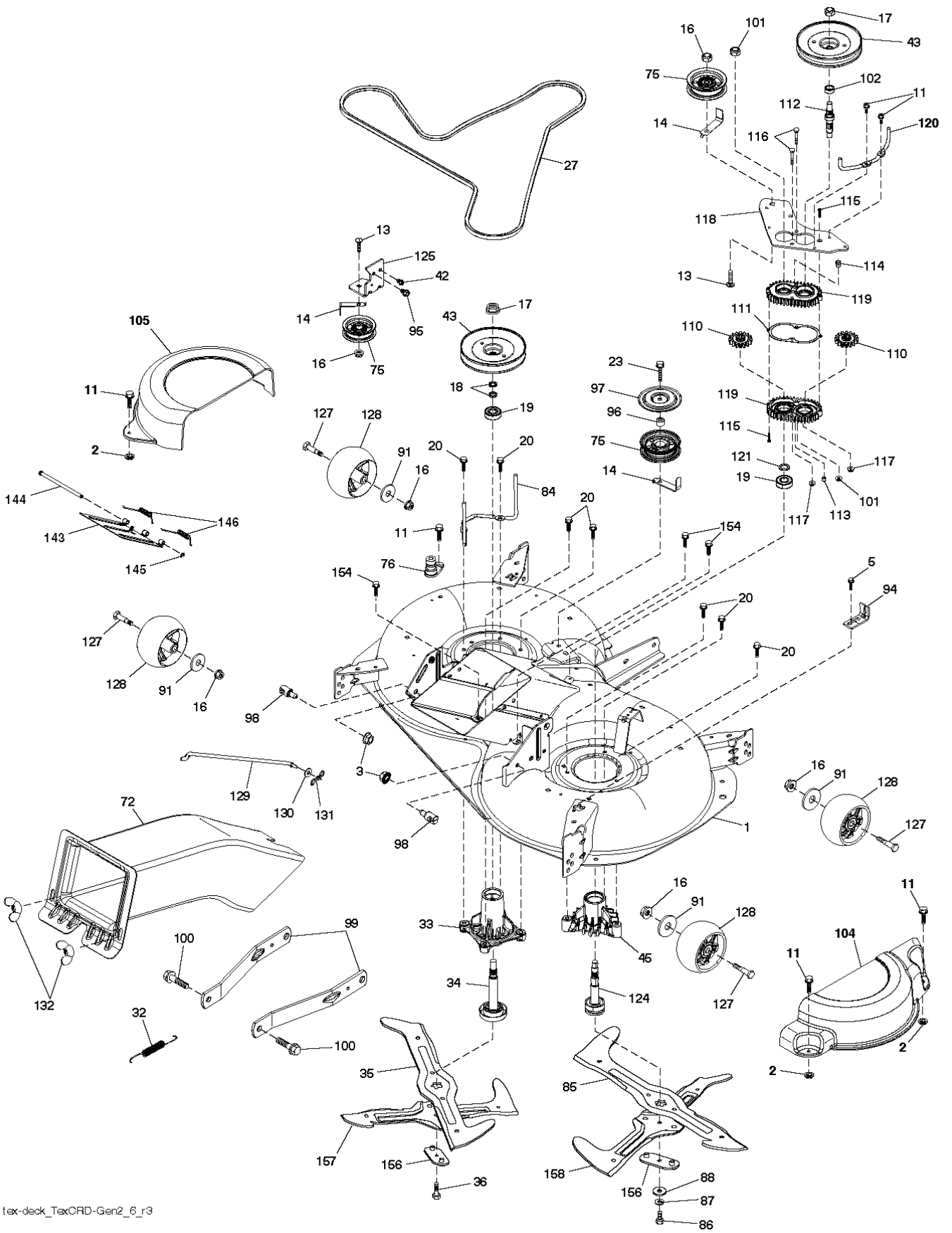
With Service Minder Option



| REF. | PART NO. | DESCRIPTION | REMARK | QTY. | KIT |
|------|-----------|-----------------|--------|------|-----|
| 1 | 532437157 | BATTERY | | 1 | |
| 2 | 532440923 | SCREW | | 1 | |
| 16 | 532176138 | MICRO SWITCH | | 1 | |
| 21 | 532400252 | HARNESS | | 1 | |
| 22 | 532004152 | BULB | | 1 | |
| 25 | 532437162 | CABLE | | 1 | |
| 26 | 532175158 | FUSE | | 1 | |
| 27 | 873510400 | NUT | | 1 | |
| 28 | 532437163 | CABLE | | 1 | |
| 29 | 532401545 | SWITCH | | 1 | |
| 30 | 532193350 | IGNITION MODULE | | 1 | |
| 33 | 532411935 | KEY | | 1 | |
| 34 | 532110712 | SWITCH | | 1 | |
| 40 | 532429533 | HARNESS | | 1 | |
| 43 | 532192507 | SOLENOID | | 1 | |
| 46 | 532401763 | DISPLAY | | 1 | |
| 50 | 532174651 | SWITCH | | 1 | |
| 55 | 817060512 | SCREW | | 1 | |
| 71 | 532440820 | HARNESS | | 1 | |
| 79 | 532175242 | HOLDER | | 1 | |
| 83 | 532436774 | NUT | | 1 | |
| 99 | 817720408 | SCREW | | 1 | |
| 102 | 532441262 | HARNESS ASSY | | 1 | |
| 105 | 532407568 | SWITCH | | 1 | |
| 107 | 532180379 | SWITCH FBI | | 1 | |
| 108 | 532421062 | SWITCH | | 1 | |

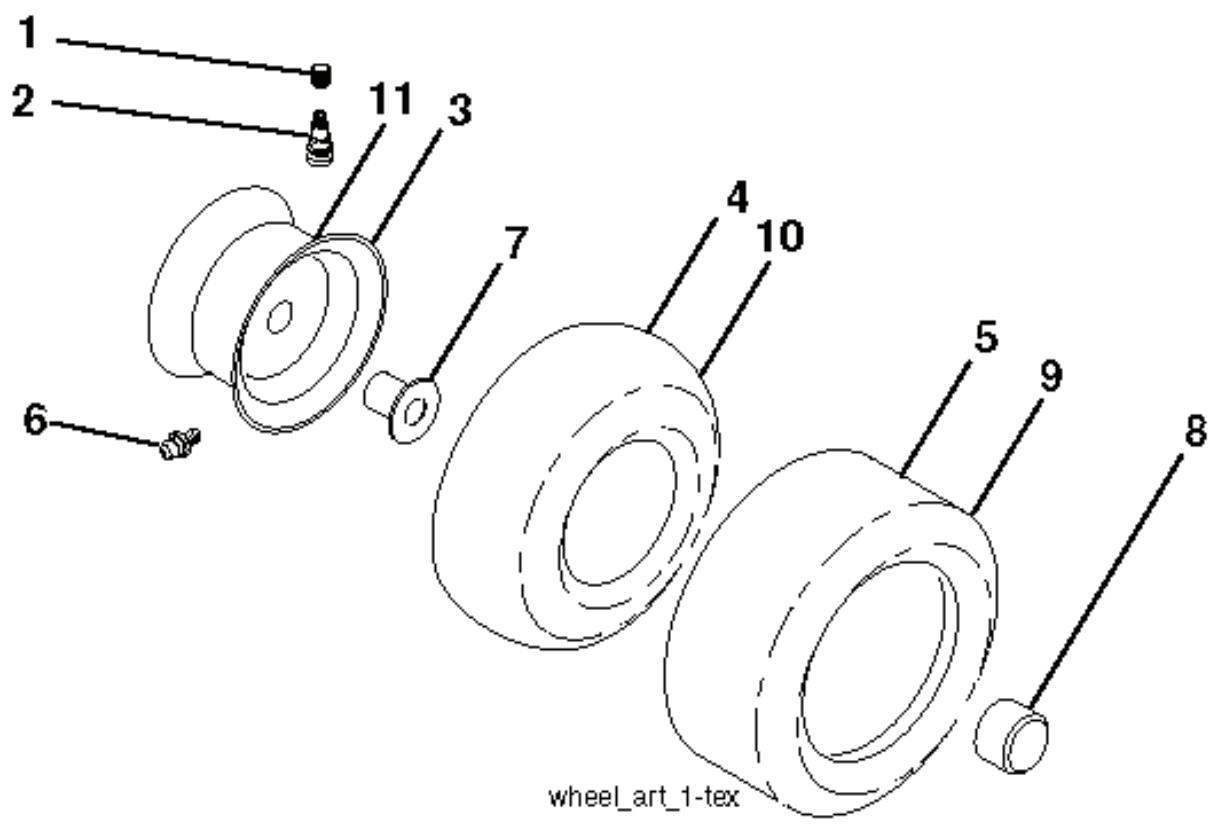


| REF. | PART NO. | DESCRIPTION | REMARK | QTY. | KIT |
|------|-----------|--------------------|--|------|-----|
| 1 | 000000000 | W/O DESCRIPTION | ENGINE KOHLER MODEL NO. SV590-0210 (422747) | 1 | |
| 2 | 532188655 | MUFFLER | | 1 | |
| 9 | 532194320 | BELT GUIDE | | 1 | |
| 11 | 532400008 | CLUTCH | | 1 | |
| 12 | 532405097 | PULLEY | | 1 | |
| 15 | 532407545 | FUEL TANK | | 1 | |
| 18 | 532430220 | FUEL CAP | | 1 | |
| 20 | 532183897 | CONTROL | | 1 | |
| 21 | 532416358 | SCREW | | 1 | |
| 28 | 532137040 | HOSE | | 1 | |
| 29 | 532137180 | SPARK ARRESTER KIT | | 1 | |
| 37 | 532123487 | HOSE CLAMP | | 1 | |
| 41 | 532126197 | WASHER | | 1 | |
| 42 | 810040700 | WASHER | | 1 | |
| 45 | 873510400 | NUT | | 1 | |
| 69 | 532185909 | GASKET | | 1 | |
| 85 | 532173937 | BOLT | | 1 | |
| 86 | 532192334 | SCREW | | 1 | |
| 87 | 532171877 | BOLT | | 1 | |
| 90 | 817000616 | SCREW | | 1 | |
| 92 | 817120616 | SCREW | | 1 | |
| 94 | 532188654 | TUBE EXHAUST | | 1 | |
| 96 | 819091416 | WASHER | | 1 | |
| 97 | 817670412 | SCREW | | 1 | |
| 122 | 532421922 | EXTENSION PIPE | | 1 | |

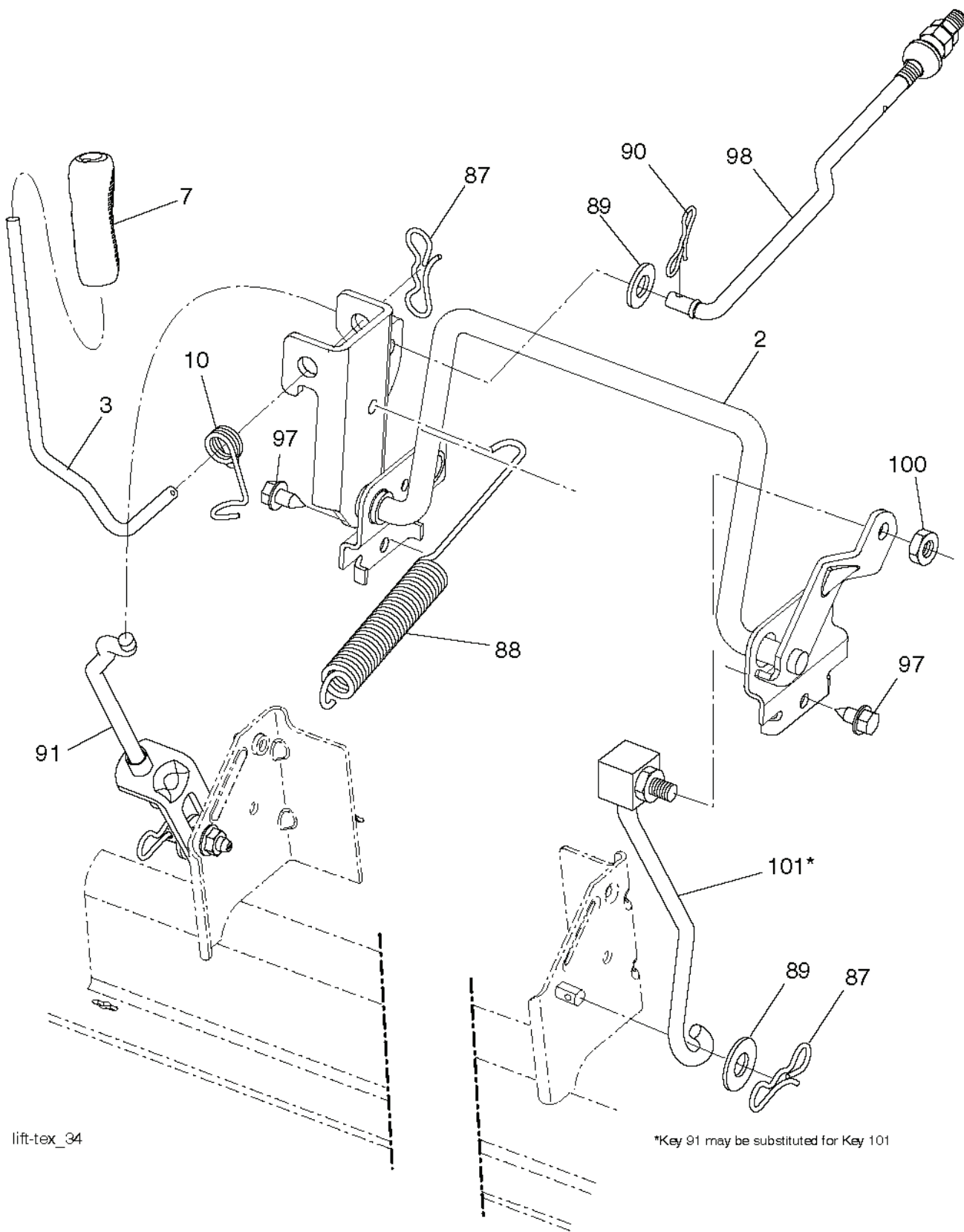


| REF. | PART NO. | DESCRIPTION | REMARK | QTY. | KIT |
|------|-----------|-----------------|--------|------|-----|
| 1 | 532448209 | DECK FRAME | | 1 | |
| 2 | 532423062 | NUT | | 1 | |
| 3 | 873900500 | NUT | | 1 | |
| 5 | 817000510 | BOLT | | 1 | |
| 11 | 532137729 | SCREW | | 1 | |
| 13 | 872110612 | BOLT | | 1 | |
| 14 | 532156085 | BELT GUIDE | | 1 | |
| 16 | 873900600 | NUT | | 1 | |
| 17 | 532400234 | NUT | | 1 | |
| 18 | 532187690 | WASHER | | 1 | |
| 19 | 532110485 | BEARING | | 1 | |
| 20 | 532173984 | SCREW | | 1 | |
| 23 | 817490628 | SCREW | | 1 | |
| 27 | 532445886 | BELT | | 1 | |
| 32 | 532446205 | SPRING | | 1 | |
| 33 | 532187281 | BEARING HOUSING | | 1 | |
| 34 | 532192872 | SHAFT ASSY | | 1 | |
| 35 | 532180583 | BLADE | | 1 | |
| 36 | 532193003 | SCREW | | 1 | |
| 42 | 817000512 | SCREW | | 1 | |
| 43 | 532443239 | PULLEY | | 1 | |
| 45 | 532137152 | BEARING HOUSING | | 1 | |
| 72 | 532443903 | CHUTE | | 1 | |
| 75 | 532131494 | PULLEY | | 1 | |
| 76 | 532415598 | HOSE COUPLING | | 1 | |
| 84 | 532443235 | KEEPER | | 1 | |
| 85 | 532180584 | BLADE | | 1 | |
| 86 | 532181713 | BOLT | | 1 | |
| 87 | 810030600 | WASHER | | 1 | |
| 88 | 532140296 | WASHER | | 1 | |
| 91 | 819132012 | WASHER | | 1 | |
| 94 | 532197250 | BRACKET | | 1 | |
| 95 | 817000612 | SCREW | | 1 | |
| 96 | 532400271 | SPACER | | 1 | |
| 97 | 532182061 | PROTECTOR | | 1 | |
| 98 | 532195161 | STUD | | 1 | |
| 99 | 532195186 | ARM | | 1 | |
| 100 | 532196539 | BOLT | | 1 | |
| 101 | 873680900 | NUT | | 1 | |
| 102 | 532402511 | SPACER | | 1 | |
| 104 | 581714001 | COVER | | 1 | |
| 105 | 532444755 | COVER | | 1 | |
| 110 | 532415356 | GEAR | | 1 | |
| 111 | 532436979 | GASKET | | 1 | |
| 112 | 532443852 | SHAFT | | 1 | |
| 113 | 532438533 | PLUG | | 1 | |
| 114 | 532438534 | VALVE | | 1 | |
| 115 | 818031016 | SCREW | | 1 | |
| 116 | 872110414 | BOLT | | 1 | |
| 117 | 873900400 | NUT | | 1 | |
| 118 | 532443232 | ARM | | 1 | |
| 119 | 532438166 | GEARCASE | | 1 | |
| 120 | 532443236 | KEEPER | | 1 | |
| 121 | 532436985 | WASHER | | 1 | |
| 124 | 532436986 | SHAFT | | 1 | |
| 125 | 532440420 | BRACKET | | 1 | |
| 127 | 532193406 | BOLT | | 1 | |
| 128 | 532174873 | WHEEL | | 1 | |
| 129 | 532443237 | ROD | | 1 | |
| 130 | 819131312 | WASHER | | 1 | |
| 131 | 532194208 | PIN | | 1 | |
| 132 | 532178899 | KNOB | | 1 | |
| 143 | 532438197 | COVER | | 1 | |
| 144 | 532435861 | PEN | | 1 | |
| 145 | 532437988 | RING | | 1 | |
| 146 | 532445896 | SPRING | | 1 | |
| 154 | 532199855 | SCREW | | 1 | |
| 156 | 532446995 | ADAPTER | | 1 | |
| 157 | 532446993 | BLADE | | 1 | |
| 158 | 532180425 | BLADE | | 1 | |
| -- | 532192870 | SPINDLE | | 1 | |
| -- | 532446041 | CUTTING DECK | | 1 | |

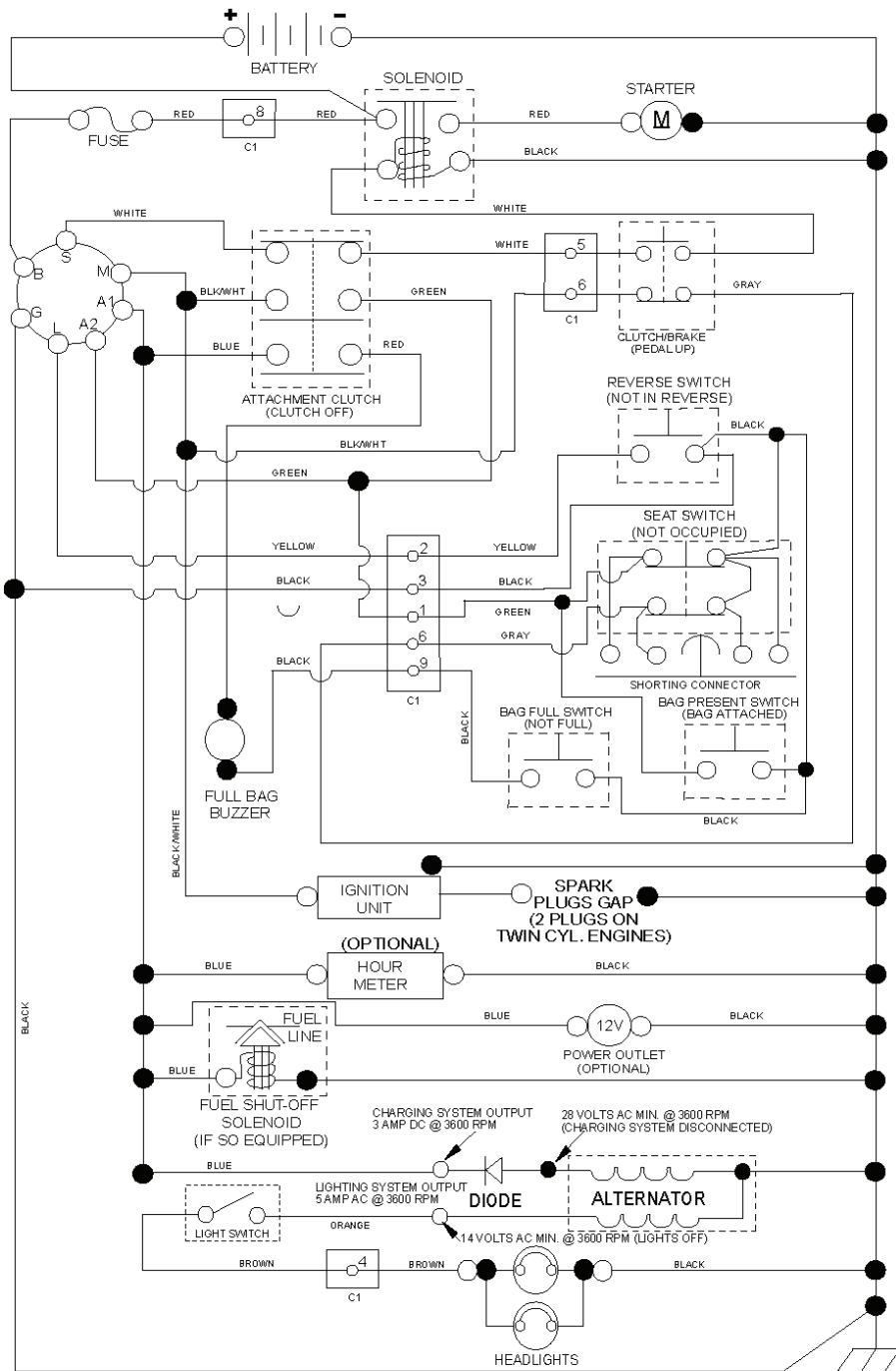
| REF. | PART NO. | DESCRIPTION | REMARK | QTY. | KIT |
|------|-----------|-----------------|--------|------|-----|
| 1 | 532439740 | STEERING WHEEL | | 1 | |
| 2 | 532436870 | WHEEL AXLE | | 1 | |
| 4 | 532436873 | SPINDLE | | 1 | |
| 5 | 532436874 | SPINDLE | | 1 | |
| 6 | 532124931 | WASHER | | 1 | |
| 7 | 532121748 | WASHER | | 1 | |
| 8 | 812000029 | RETAINER RING | | 1 | |
| 9 | 532121232 | HUB CAP | | 1 | |
| 13 | 532121749 | WASHER | | 1 | |
| 14 | 810040600 | WASHER | | 1 | |
| 15 | 873540600 | NUT | | 1 | |
| 16 | 532444213 | SHAFT | | 1 | |
| 19 | 532194729 | PLATE | | 1 | |
| 20 | 532441425 | COVER | | 1 | |
| 21 | 532437747 | ADAPTER WHEEL | | 1 | |
| 22 | 532194845 | BUSHING | | 1 | |
| 26 | 532439743 | HUB CAP | | 1 | |
| 28 | 817000612 | SCREW | | 1 | |
| 33 | 810040500 | WASHER | | 1 | |
| 35 | 532440770 | GEAR | | 1 | |
| 45 | 819113812 | WASHER | | 1 | |
| 53 | 532188967 | WASHER | | 1 | |
| 57 | 532407465 | BRACKET | | 1 | |
| 58 | 532194747 | BOLT | | 1 | |
| 59 | 532194748 | WASHER | | 1 | |
| 60 | 873971000 | NUT | | 1 | |
| 61 | 532436884 | LINK | | 1 | |
| 62 | 532436885 | TUBE | | 1 | |
| 63 | 817000512 | SCREW | | 1 | |
| 64 | 532199849 | SPRING RETAINER | | 1 | |
| 66 | 871020748 | BOLT | | 1 | |
| 67 | 532194737 | BUSHING | | 1 | |
| 68 | 873900700 | NUT | | 1 | |
| 69 | 532199162 | WASHER | | 1 | |
| 70 | 532196197 | BRACKET | | 1 | |
| 71 | 532190752 | SHAFT | | 1 | |
| 72 | 532428982 | BOLT | | 1 | |
| 80 | 532001370 | WASHER | | 1 | |
| 81 | 532436887 | LINK | | 1 | |
| 82 | 532436877 | BOLT | | 1 | |
| 85 | 532441873 | PIVOT | | 1 | |
| 86 | 532441872 | PIVOT | | 1 | |
| 118 | 532406013 | BEARING | | 1 | |
| 122 | 532444962 | CAP | | 1 | |



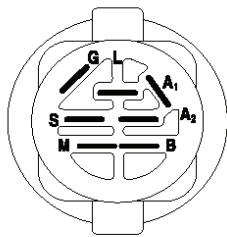
| REF. | PART NO. | DESCRIPTION | REMARK | QTY. | KIT |
|------|-----------|--------------|---------------------|------|-----|
| 1 | 532059192 | CAP VALVE | | 1 | |
| 2 | 532065139 | NIPPLE | | 1 | |
| 3 | 532138336 | RIM | Front 6" | 1 | |
| 4 | 532059904 | HOSE | (Service Item Only) | 1 | |
| 5 | 532106222 | TIRE | Front 15" x 6.0"-6" | 1 | |
| 6 | 532124957 | FITTING | (Front Wheel Only) | 1 | |
| 7 | 532124959 | BEARING | (Front Wheel Only) | 1 | |
| 8 | 532175039 | HUB CAP | | 1 | |
| 9 | 532420531 | TIRE | Rear 18" x 9.5"-8" | 1 | |
| 10 | 532124926 | HOSE | (Service Item Only) | 1 | |
| 11 | 532138337 | RIM SPROCKET | Rear 8" | 1 | |
| -- | 532144334 | SEALING FOAM | | 1 | |



| REF. | PART NO. | DESCRIPTION | REMARK | QTY. | KIT |
|------|-----------|-------------|--------|------|-----|
| 2 | 532436996 | SHAFT | | 1 | |
| 3 | 532195231 | LEVER | | 1 | |
| 7 | 532411555 | GRIP | | 1 | |
| 10 | 532196314 | SPRING | | 1 | |
| 87 | 532194209 | SPRING | | 1 | |
| 88 | 532445496 | SPRING | | 1 | |
| 89 | 819191912 | WASHER | | 1 | |
| 90 | 532194208 | PIN | | 1 | |
| 91 | 532195181 | LINK | | 1 | |
| 97 | 817490608 | SCREW | | 1 | |
| 98 | 532195270 | LINK | | 1 | |
| 100 | 873930600 | NUT | | 1 | |
| 101 | 532407003 | LINK | | 1 | |

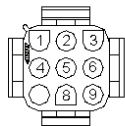


NOTE
 YOUR TRACTOR IS EQUIPPED WITH A SPECIAL ALTERNATOR SYSTEM. THE LIGHTS ARE NOT CONNECTED TO THE BATTERY, BUT HAVE THEIR OWN ELECTRICAL SOURCE. BECAUSE OF THIS, THE BRIGHTNESS OF THE LIGHTS WILL CHANGE WITH ENGINE SPEED. AT IDLE THE LIGHTS WILL DIM. AS THE ENGINE SPEED IS INCREASED, THE LIGHTS WILL BECOME THEIR BRIGHTEST.

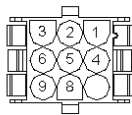


IGNITION SWITCH

| POSITION | CIRCUIT | "MAKE" |
|--------------|---------|--------|
| OFF | M+G+A1 | |
| RUN/OVERRIDE | B+A1 | |
| RUN | B+A1 | L+A2 |
| START | B+S+A1 | |

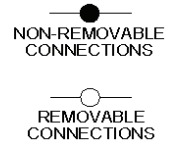


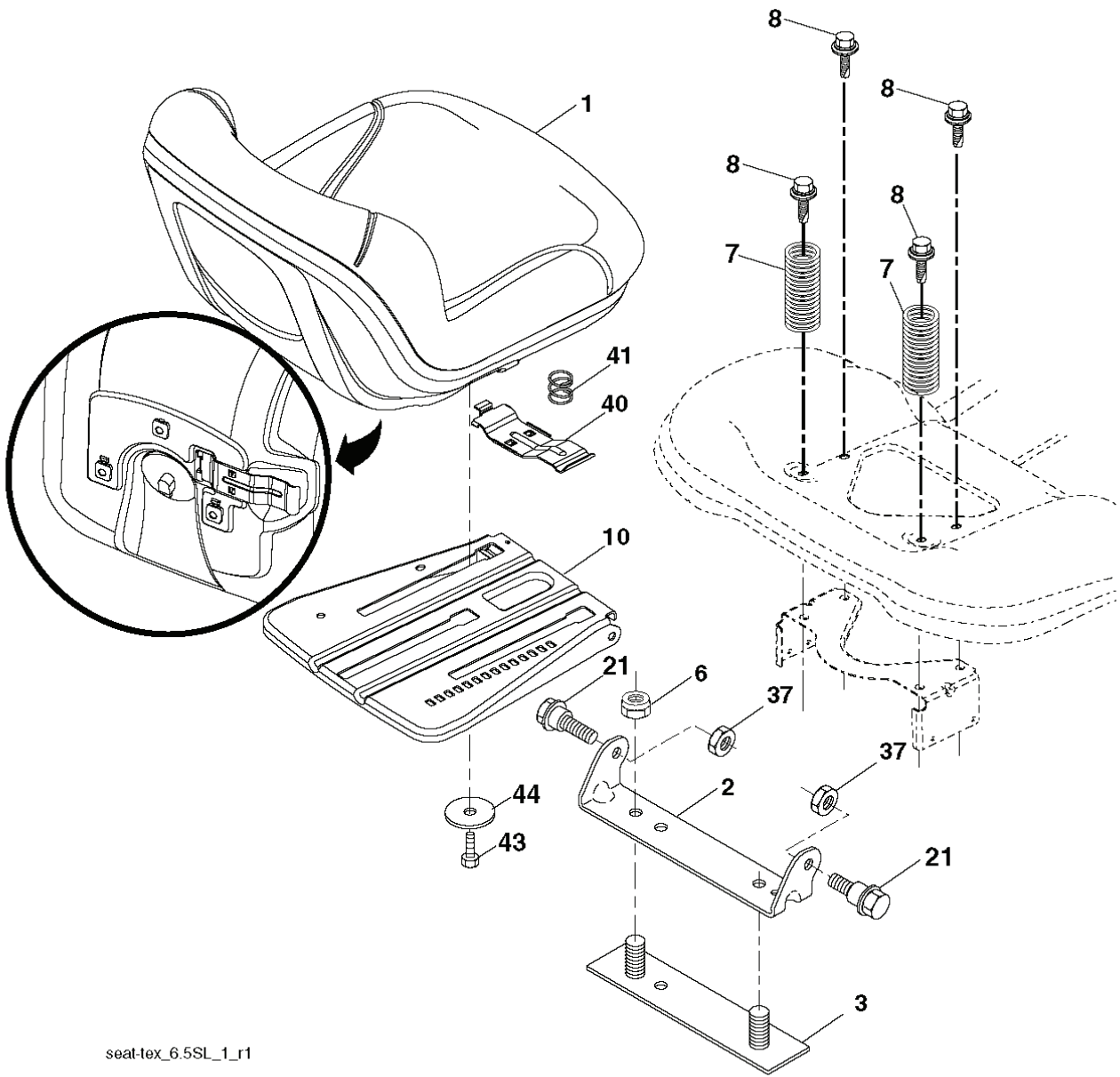
CHASSIS HARNESS CONNECTOR (C1) (MATING SIDE)



DASH HARNESS CONNECTOR (C1) (MATING SIDE)

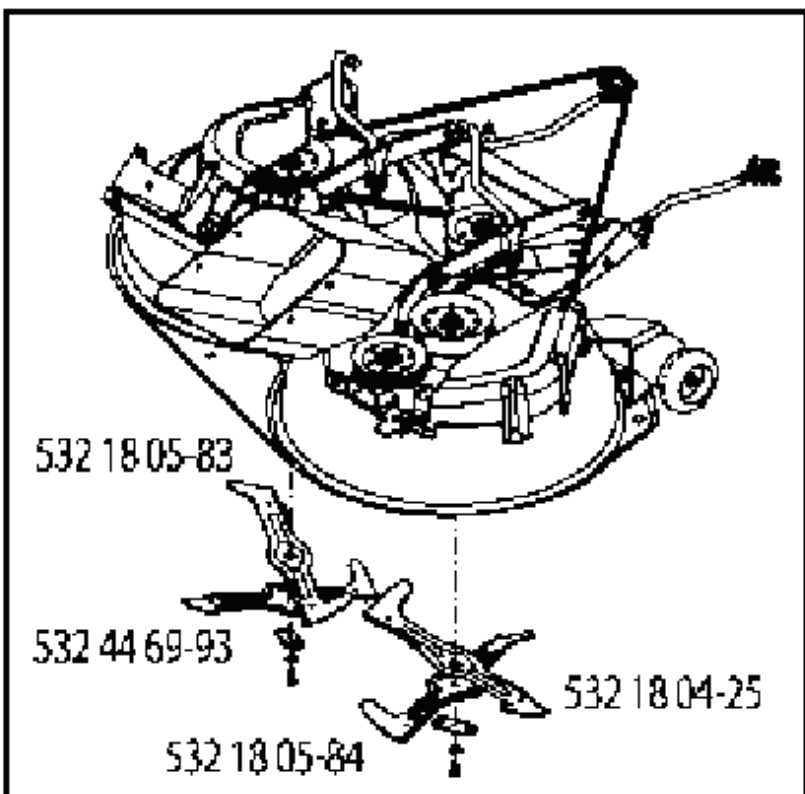
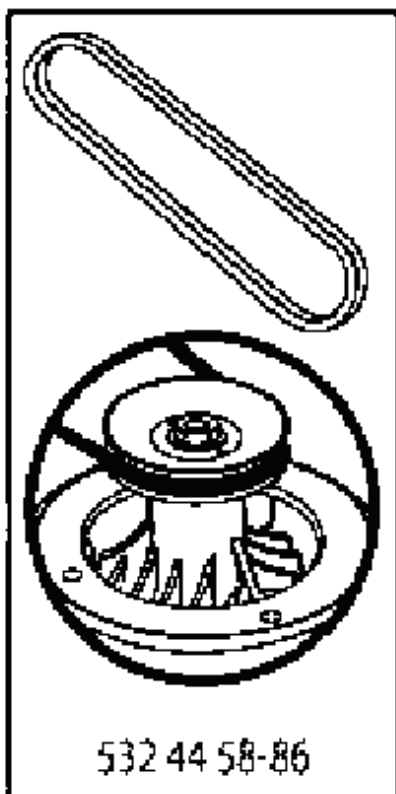
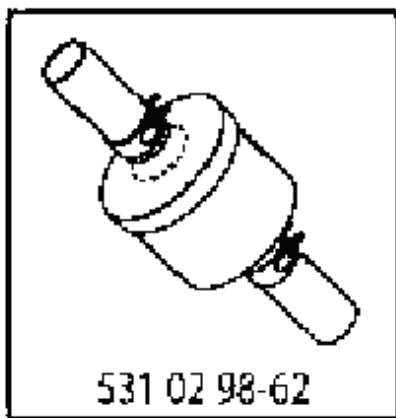
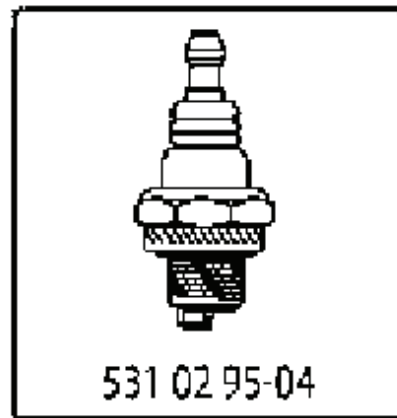
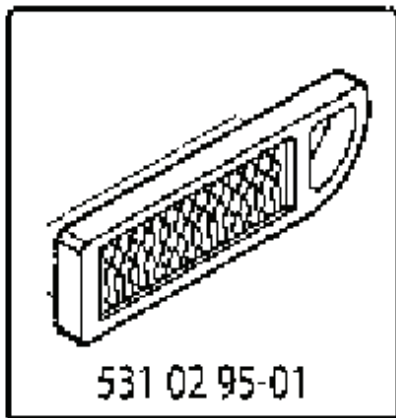
WIRING INSULATED CLIPS
 NOTE: IF WIRING INSULATED CLIPS WERE REMOVED FOR SERVICING OF UNIT, THEY SHOULD BE RE-INSTALLED TO PROPERLY SECURE YOUR WIRING.



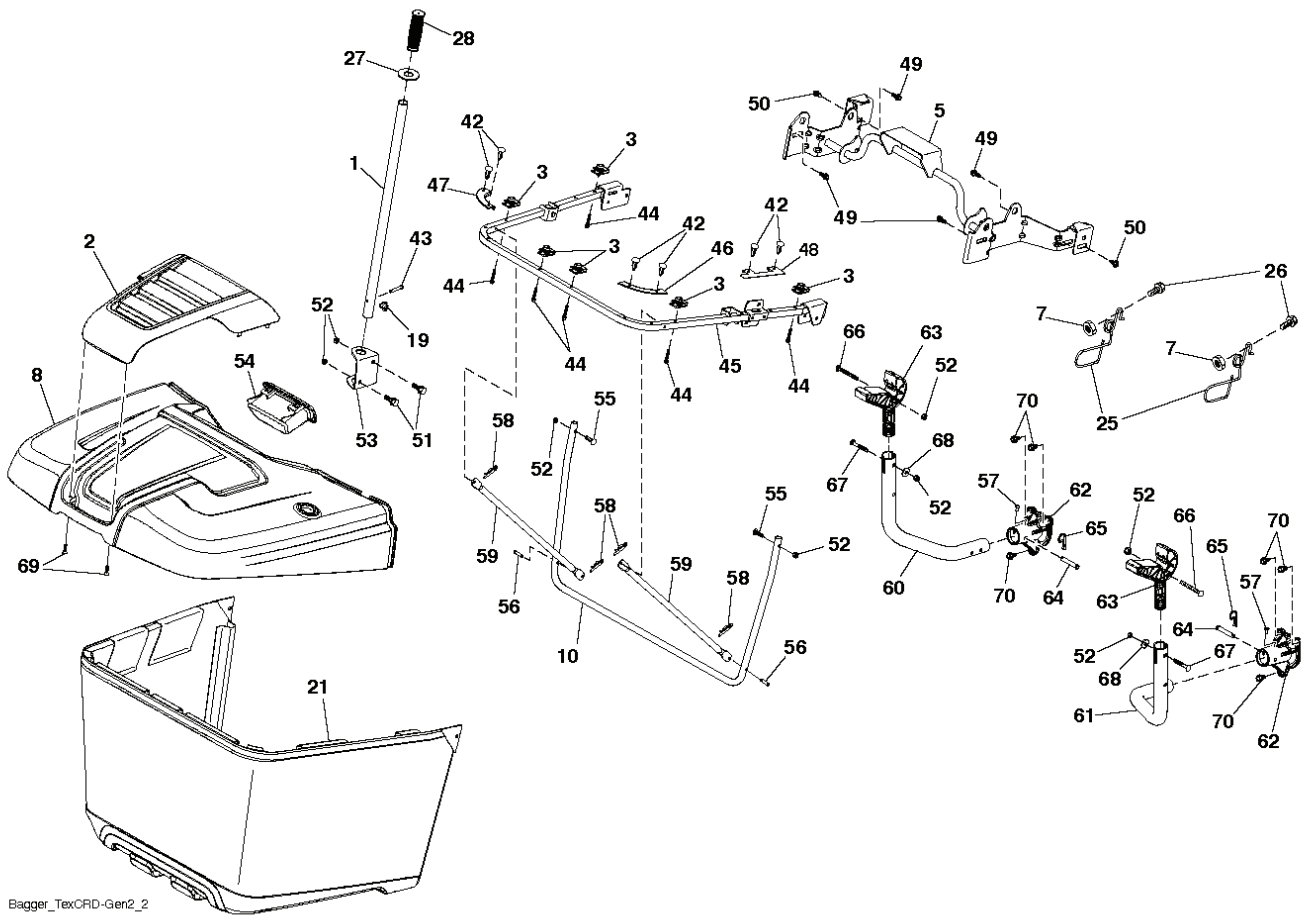


seat-hex_6.5SL_1_r1

| REF. | PART NO. | DESCRIPTION | REMARK | QTY. | KIT |
|------|-----------|-------------|--------|------|-----|
| 1 | 532439822 | SEAT | | 1 | |
| 2 | 532180166 | BRACKET | | 1 | |
| 3 | 532140675 | STRAP | | 1 | |
| 6 | 873800600 | NUT | | 1 | |
| 7 | 532124181 | SPRING | | 1 | |
| 8 | 532171877 | BOLT | | 1 | |
| 10 | 532196977 | PLATE | | 1 | |
| 21 | 532171852 | BOLT | | 1 | |
| 37 | 873800500 | LOCK NUT | | 1 | |
| 40 | 532197661 | HANDLE | | 1 | |
| 41 | 532198200 | SPRING | | 1 | |
| 43 | 874760612 | BOLT | | 1 | |
| 44 | 819133812 | WASHER | | 1 | |

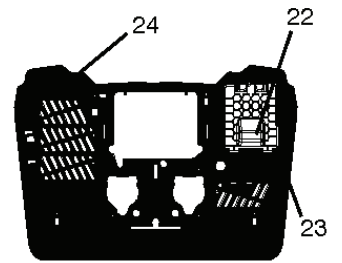
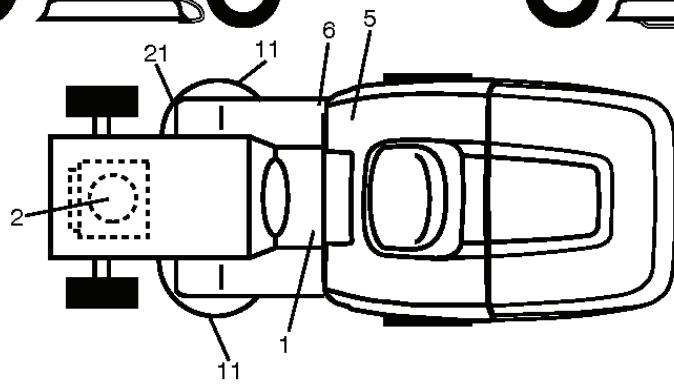
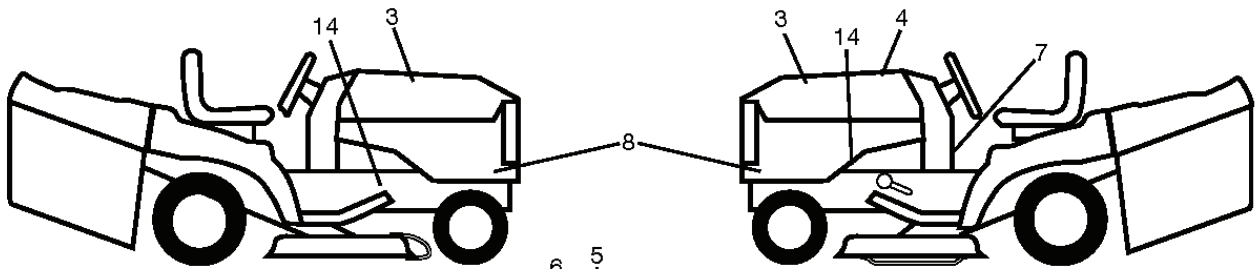


| REF. | PART NO. | DESCRIPTION | REMARK | QTY. | KIT |
|-----------|-----------|-------------|--------|------|-----|
| 531029501 | 531029501 | AIR FILTER | | 1 | |
| 531029504 | 531029504 | SPARK PLUG | | 1 | |
| 531029862 | 531029862 | FILTER | | 1 | |
| 531029503 | 531029503 | FILTER | | 1 | |
| 532442781 | 532439726 | BELT | | 1 | |
| 532445886 | 532445886 | BELT | | 1 | |
| 532180583 | 532180583 | BLADE | | 1 | |
| 532446993 | 532446993 | BLADE | | 1 | |
| 532180584 | 532180584 | BLADE | | 1 | |
| 532180425 | 532180425 | BLADE | | 1 | |



Bagger_TexCRD-Gen2_2

| REF. | PART NO. | DESCRIPTION | REMARK | QTY. | KIT |
|------|-----------|---------------|--------|------|-----|
| 1 | 532428610 | TUBE | | 1 | |
| 2 | 532447572 | COVER | | 1 | |
| 3 | 532174814 | NUT | | 1 | |
| 5 | 532443762 | FRAME | | 1 | |
| 7 | 873900400 | NUT | | 1 | |
| 8 | 532447575 | COVER | | 1 | |
| 10 | 532443755 | FRAME | | 1 | |
| 19 | 532194208 | PIN | | 1 | |
| 21 | 532445943 | BAG | | 1 | |
| 25 | 532445528 | LATCH | | 1 | |
| 26 | 817490412 | SCREW | | 1 | |
| 27 | 532445529 | GROMMET | | 1 | |
| 28 | 532165787 | HANDLE | | 1 | |
| 42 | 532440428 | CLIP | | 1 | |
| 43 | 532126875 | RIVET | | 1 | |
| 44 | 532199687 | SCREW | | 1 | |
| 45 | 532443754 | FRAME | | 1 | |
| 46 | 532445541 | CONNECTOR | | 1 | |
| 47 | 532444079 | CONNECTOR | | 1 | |
| 48 | 532444080 | BAFFLE | | 1 | |
| 49 | 532171873 | BOLT | | 1 | |
| 50 | 532171877 | BOLT | | 1 | |
| 51 | 872110506 | BOLT | | 1 | |
| 52 | 873800500 | LOCK NUT | | 1 | |
| 53 | 532444195 | BRACKET | | 1 | |
| 54 | 532447218 | HANDLE | | 1 | |
| 55 | 872140512 | BOLT | | 1 | |
| 56 | 532420306 | CLEVIS PIN | | 1 | |
| 57 | 532199855 | SCREW | | 1 | |
| 58 | 532085179 | CLIP | | 1 | |
| 59 | 532444763 | TUBE | | 1 | |
| 60 | 532444105 | TUBE | | 1 | |
| 61 | 532444106 | TUBE | | 1 | |
| 62 | 532444542 | BRACKET | | 1 | |
| 63 | 532444110 | PIVOT | | 1 | |
| 64 | 532430422 | PEN | | 1 | |
| 65 | 532124788 | RETAINER RING | | 1 | |
| 66 | 532446723 | BOLT | | 1 | |
| 67 | 532448039 | BOLT | | 1 | |
| 68 | 819111610 | WASHER | | 1 | |
| 69 | 532421801 | SCREW | | 1 | |
| 70 | 817000612 | SCREW | | 1 | |



| REF. | PART NO. | DESCRIPTION | REMARK | QTY. | KIT |
|------|-----------|-------------|--------|------|-----|
| 1 | 532445503 | DECAL | | 1 | |
| 2 | 532196841 | DECAL | | 1 | |
| 3 | 581627301 | DECAL | | 1 | |
| 4 | 532446415 | DECAL | | 1 | |
| 5 | 532178302 | DECAL | | 1 | |
| 6 | 532180432 | DECAL | | 1 | |
| 7 | 532440247 | DECAL | | 1 | |
| 8 | 532446775 | DECAL | | 1 | |
| 11 | 532182166 | DECAL | | 1 | |
| 14 | 532159736 | DECAL | | 1 | |
| 21 | 532441189 | DECAL | | 1 | |
| 22 | 532445102 | DECAL | | 1 | |
| 23 | 532444619 | DECAL | | 1 | |
| 24 | 532445493 | DECAL | | 1 | |
| -- | 532441409 | PAD | | 1 | |
| -- | 532441410 | PAD | | 1 | |
| | PART NO. | | REMARK | | KIT |