

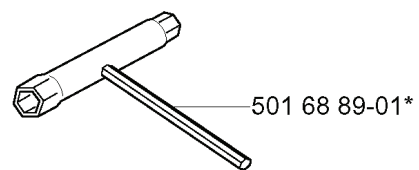
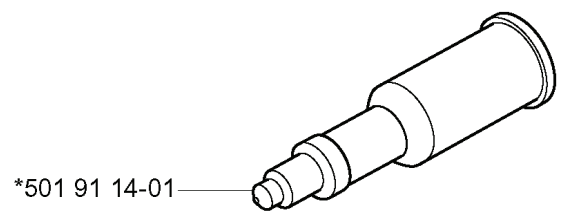
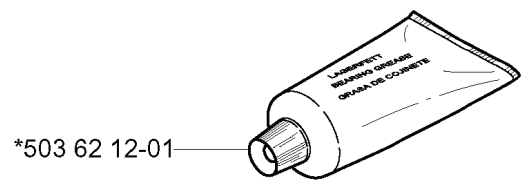
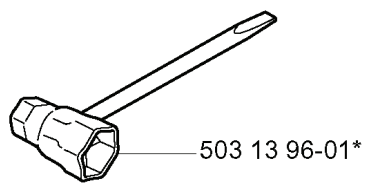
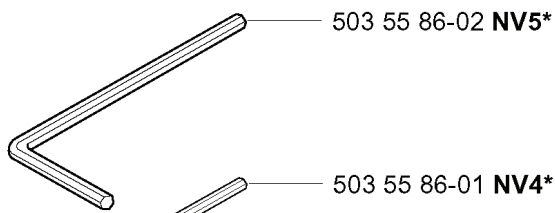
385 XP EPA, 20051000001-20063999999

---

# **SPARE PARTS LIST**

**Q** Accessories  
Zubehöre  
Accessories  
Accesorios  
Tillbehör

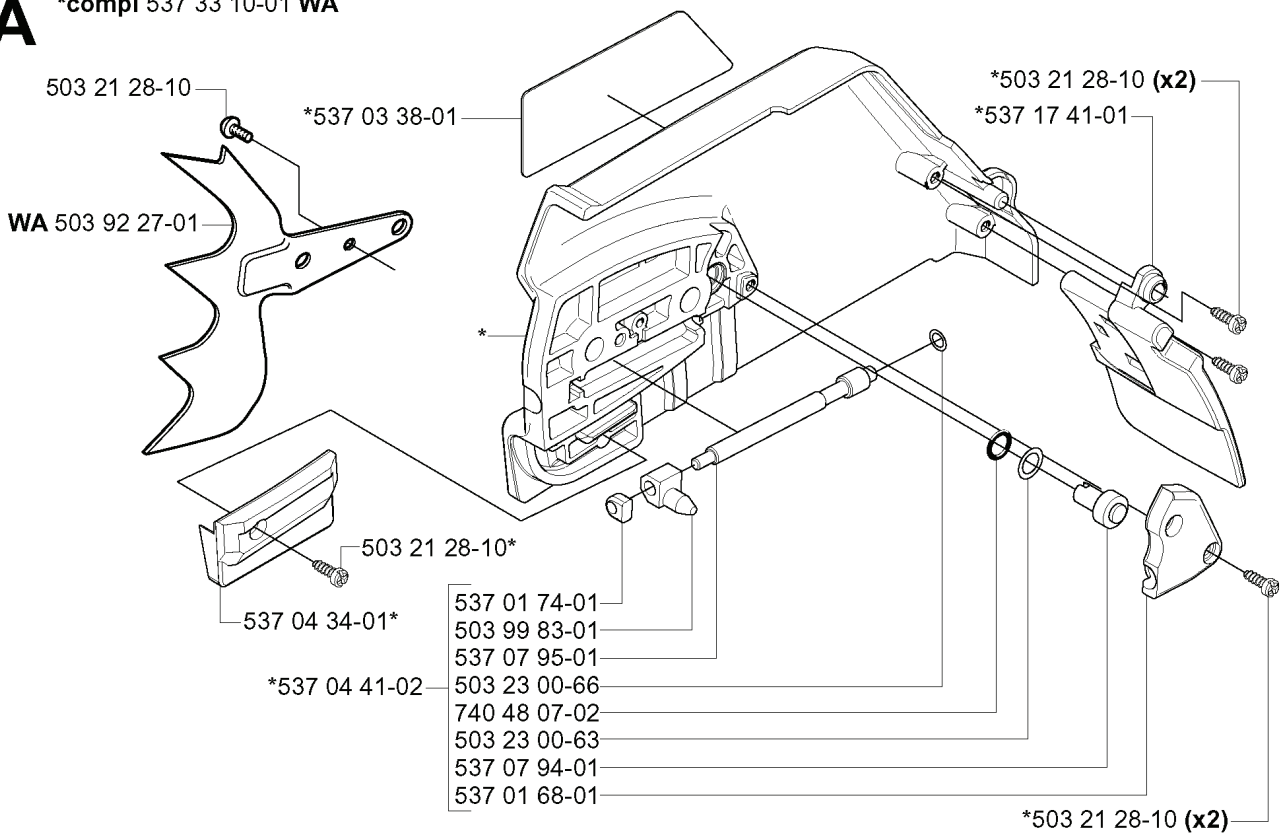
\*compl 503 55 85-02



---

REF.	PART NO.	DESCRIPTION	REMARK	QTY.	KIT
503 55 85-02	503558502	TOOL KIT		1	
503 55 86-02	503558602	SPANNER	NV5	1	
503 55 86-01	503558601	SPANNER	NV4	1	
503 13 96-01	503139601	COMBINATION WRENCH		1	
501 68 89-01	501688901	COMBINATION WRENCH		1	
501 91 14-01	501911401	GREASE GUN		1	
503 62 12-01	503621201	GREASE		1	

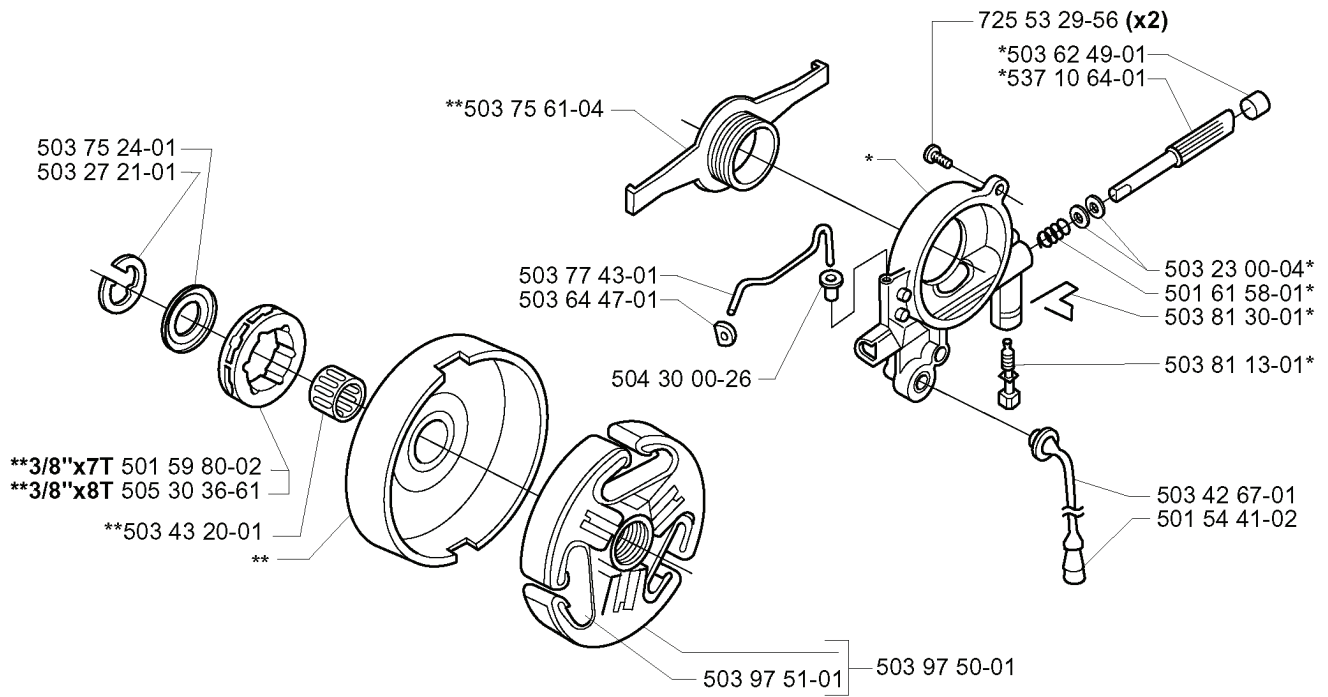
**A** \*compl 537 33 10-01 WA



REF.	PART NO.	DESCRIPTION	REMARK	QTY.	KIT
537 33 10-01	537331001	CLUTCH COVER ASSY	WA	1	
537 03 38-01	537033801	LABEL		1	
503 92 27-01	503922701	SPIKE	WA	1	
537 04 34-01	537043401	CHAIN GUIDE		1	
537 04 41-02	537044102	CHAIN TENSIONER		1	
537 01 68-01	537016801	COVER		1	
537 07 94-01	537079401	WORM WHEEL		1	
503 23 00-63	503230063	WASHER		1	
740 48 07-02	740480702	O-RING		1	
503 23 00-66	503230066	WASHER		1	
537 07 95-01	537079501	WORM SCREW		1	
503 99 83-01	503998301	PAWL		1	
537 01 74-01	537017401	BEARING SLEEVE		1	
503 21 28-10	503212810	SCREW CCRPANT		2	
537 17 41-01	537174101	CHIP GUARD		1	

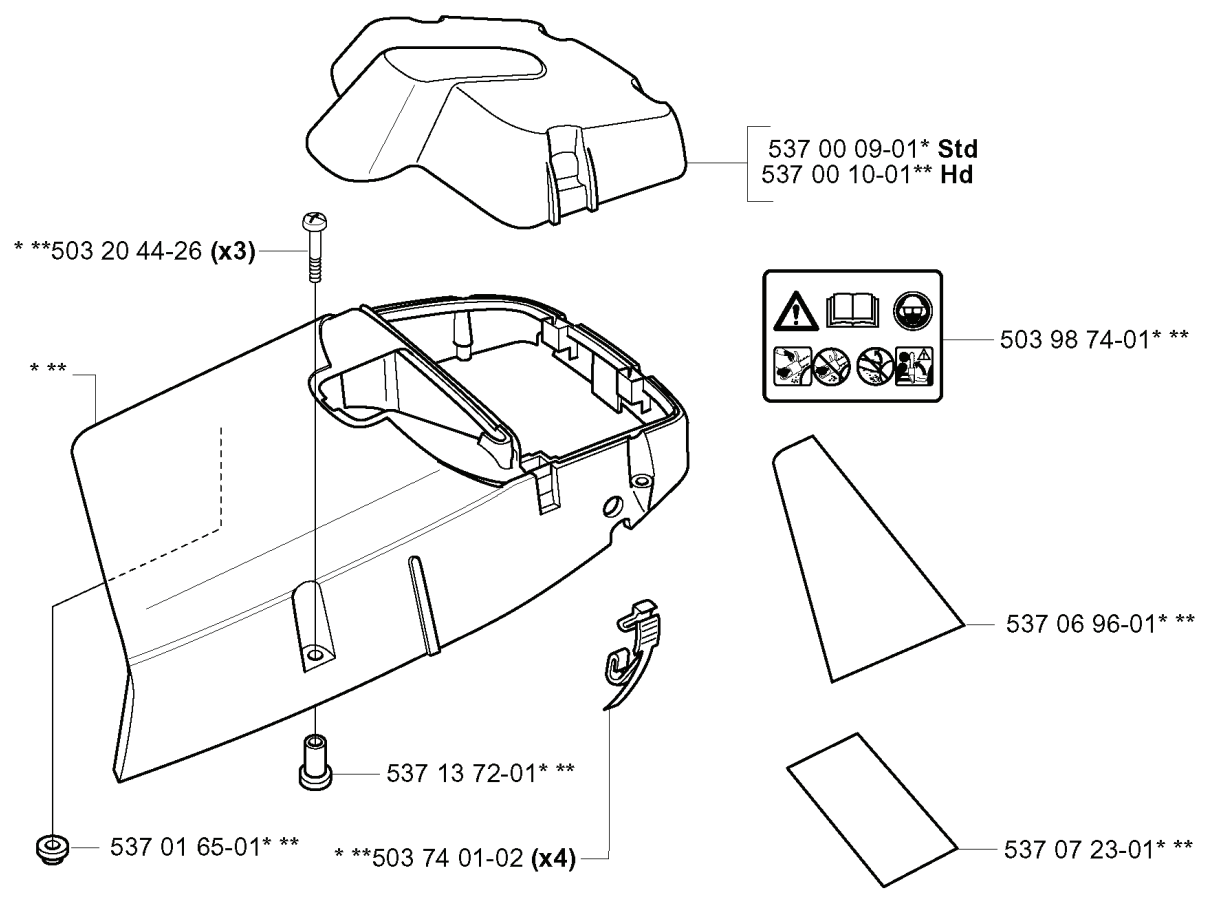
**B** \*\*compl 537 13 79-71 (3/8"x7T)  
\*\*compl 537 13 79-72 (3/8"x8T)

\*compl 503 52 13-04



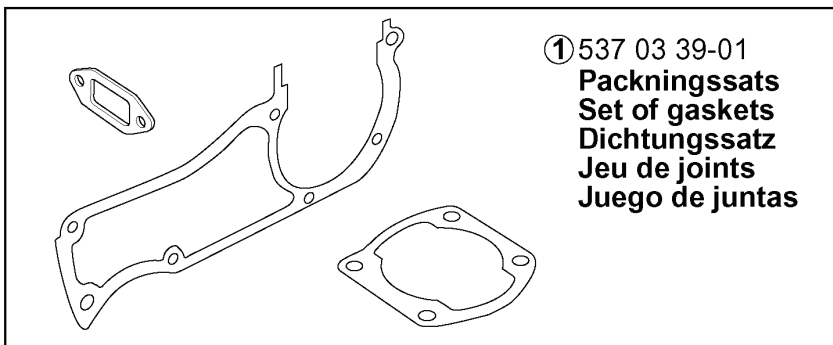
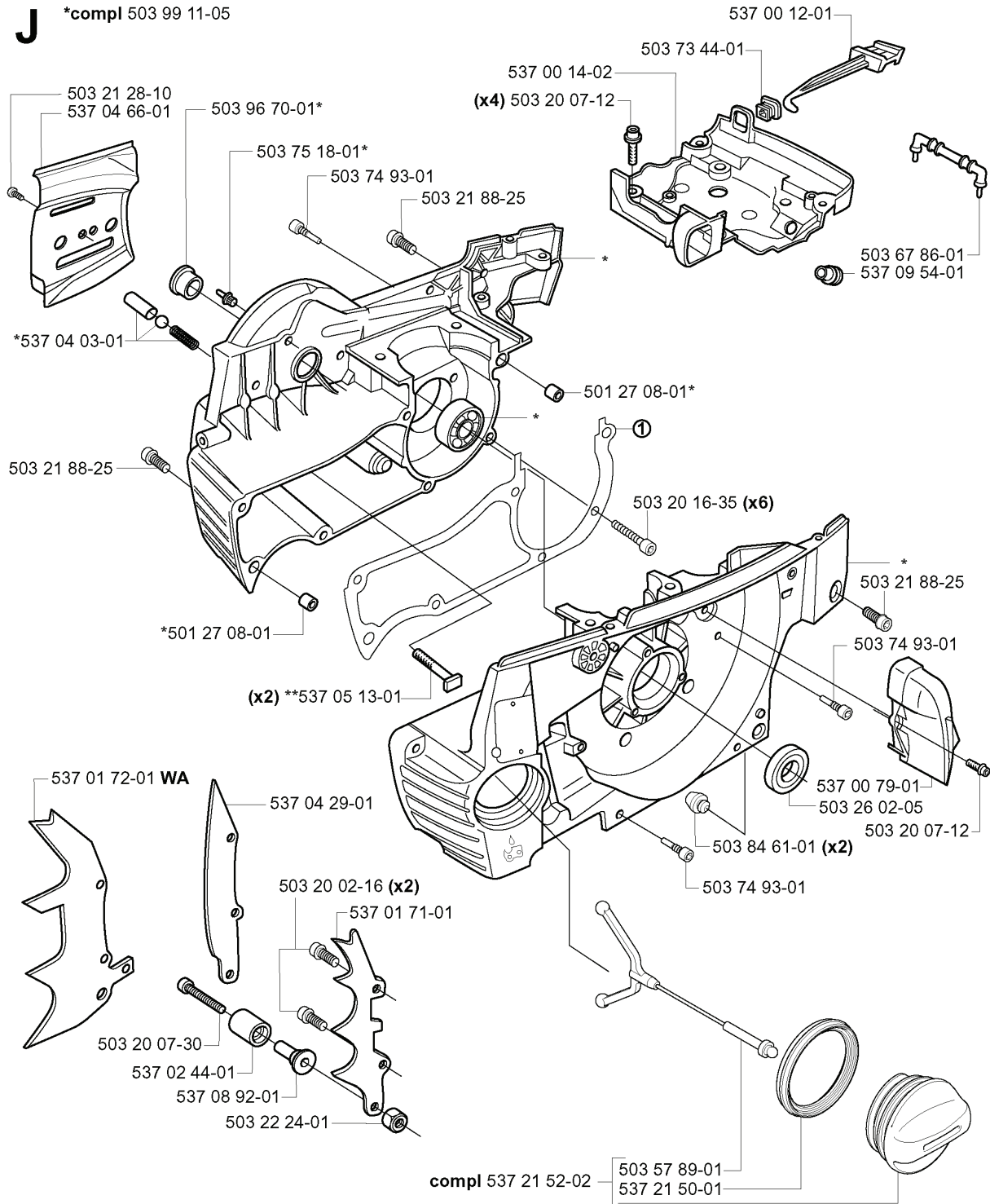
REF.	PART NO.	DESCRIPTION	REMARK	QTY.	KIT
537 13 79-71	537137971	CLUTCH DRUM ASSY	3/8X7T	1	
537 13 79-72	537137972	CLUTCH DRUM ASSY	3/8X8T	1	
503 75 24-01	503752401	WASHER		1	
503 27 21-01	503272101	E-CLIP		1	
501 59 80-02	501598002	RIM	3/8X7T	1	
505 30 36-61	505303661	RIM	3/8X8T	1	
503 43 20-01	503432001	NEEDLE HOLDER		1	
503 97 51-01	503975101	CLUTCH SPRING		1	
503 97 50-01	503975001	CLUTCH ASSY		1	
504 30 00-26	504300026	SEALING		1	
503 64 47-01	503644701	BUSHING		1	
503 77 43-01	503774301	OIL PIPE		1	
503 75 61-04	503756104	GEAR WHEEL		1	
503 52 13-04	503521304	OIL PUMP ASSY		1	
501 54 41-02	501544102	OIL SCREEN		1	
503 42 67-01	503426701	OIL HOSE		1	
503 81 13-01	503811301	SCREW		1	
503 81 30-01	503813001	SPRING		1	
501 61 58-01	501615801	SPRING		1	
503 23 00-04	503230004	WASHER		1	
537 10 64-01	537106401	PUMP PISTON		1	
503 62 49-01	503624901	SEALING PLUG		1	
725 53 29-56	725532956	SCREW IHSCM		2	

**C** \*compl 537 00 07-01 Std  
\*\*compl 537 00 07-02 Hd



---

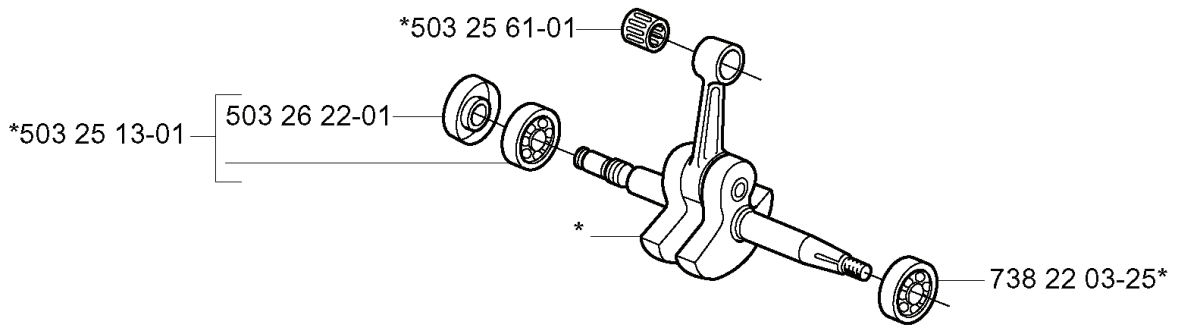
REF.	PART NO.	DESCRIPTION	REMARK	QTY.	KIT
537 00 07-01	537000701	CYLINDER COVER ASSY	STD	1	
537 00 07-02	537000702	CYLINDER COVER ASSY	HD	1	
503 20 44-26	503204426	SCREW		3	
537 01 65-01	537016501	SUPPORT		1	
503 74 01-02	503740102	SNAP LOCKING		4	
537 13 72-01	537137201	SLEEVE		1	
537 07 23-01	537072301	HEAT PROTECTOR		1	
537 06 96-01	537069601	HEAT PROTECTOR		1	
503 98 74-01	503987401	LABEL		1	
537 00 10-01	537001001	FILTER COVER	HD	1	
537 00 09-01	537000901	FILTER COVER	STD	1	

**J****\*compl 503 99 11-05**

① 537 03 39-01  
**Packingsatz**  
**Set of gaskets**  
**Dichtungssatz**  
**Jeu de joints**  
**Juego de juntas**

REF.	PART NO.	DESCRIPTION	REMARK	QTY.	KIT
50399 11-05	503991105	CRANKCASE ASSY		1	
503 21 28-10	503212810	SCREW CCRPANT		1	
537 04 66-01	537046601	KIT		1	
537 04 03-01	537040301	VALVE		1	
537 01 72-01	537017201	SPIKE	WA	1	
503 20 07-30	503200730	SCREW IHSCFM		1	
537 02 44-01	537024401	WEAR PROTECTION		1	
537 08 92-01	537089201	CHAIN CATCHER		1	
503 22 24-01	503222401	LOCK NUT		1	
537 21 52-02	537215202	TANK CAP ASSY		1	
537 01 71-01	537017101	SPIKE		1	
503 20 02-16	503200216	SCREW IHSCFM		2	
537 04 29-01	537042901	BUMPER		1	
537 05 13-01	537051301	BAR BOLT		2	
501 27 08-01	501270801	GUIDE BUSHING		1	
503 96 70-01	503967001	BUSHING		1	
503 75 18-01	503751801	PIN		1	
503 57 89-01	503578901	HOLDER		1	
537 21 50-01	537215001	SEALING		1	
503 74 93-01	503749301	SCREW		1	
503 84 61-01	503846101	BUFFER		2	
503 20 07-12	503200712	SCREW IHSCFM		1	
503 26 02-05	503260205	SEALING RING		1	
537 00 79-01	537007901	AIR NOZZLE		1	
503 21 88-25	503218825	SCREW IHSCFT		1	
503 20 16-35	503201635	SCREW IHSCFM		6	
537 09 54-01	537095401	GROMMET		1	
503 67 86-01	503678601	STÖTTA FÖRGASARE		1	
537 00 14-02	537001402	CARBURETTOR		1	
503 73 44-01	503734401	GROMMET		1	
537 00 12-01	537001201	CHOKE CONTROL		1	
537 03 39-01	537033901	GASKET KIT		1	

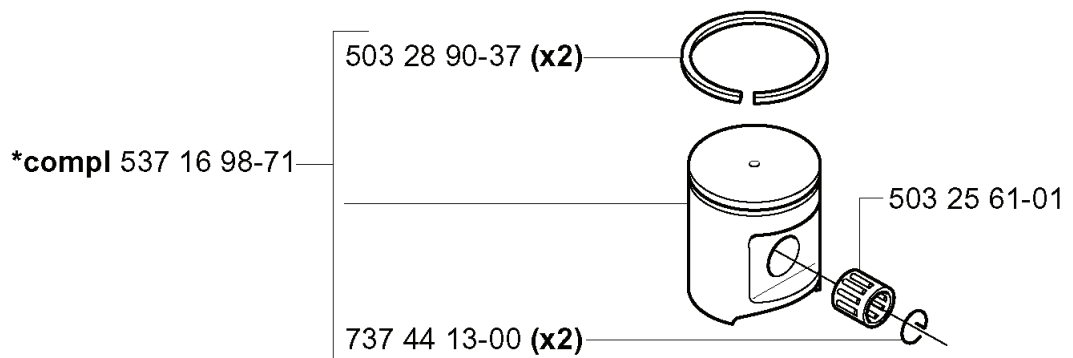
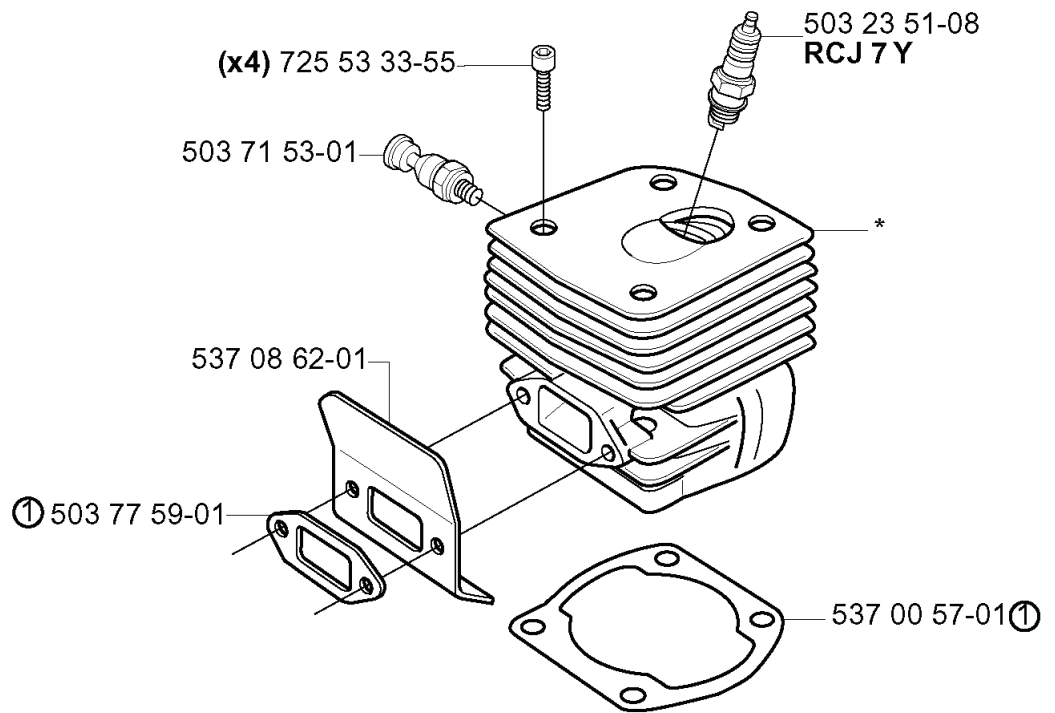
**E** \*compl 503 99 34-04



---

REF.	PART NO.	DESCRIPTION	REMARK	QTY.	KIT
503 99 34-04	503993404	CRANKSHAFT		1	
503 25 13-01	503251301	BALL BEARING		1	
503 26 22-01	503262201	SEALING RING		1	
503 25 61-01	503256101	NEEDLE BEARING		1	
738 22 03-25	738220325	BALL BEARING		1	

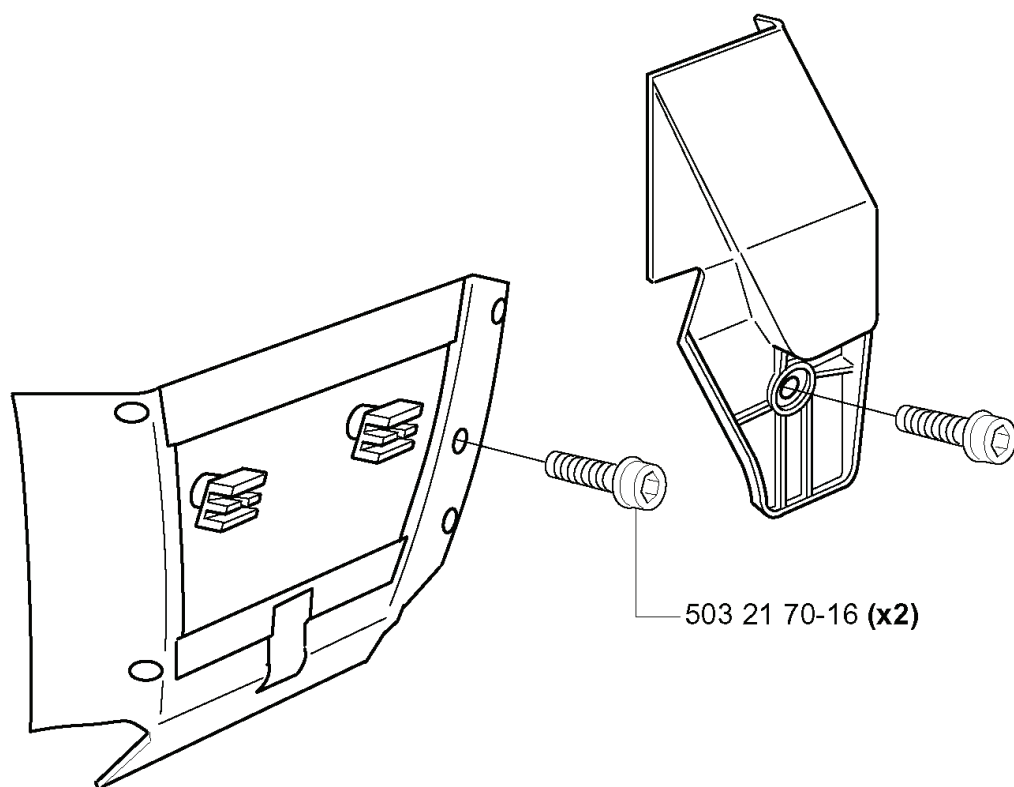
**D** \*compl 537 16 97-71



---

REF.	PART NO.	DESCRIPTION	REMARK	QTY.	KIT
537 16 97-71	537169771	CYLINDER ASSY		1	
725 53 33-55	725533355	SCREW IHSCM		4	
503 71 53-01	503715301	DECOMPRESSION VALVE		1	
537 08 62-01	537086201	HEAT DEFLECTOR		1	
503 77 59-01	503775901	GASKET		1	
537 16 98-71	537169871	PISTON ASSY		1	
737 44 13-00	737441300	CIRCLIP		2	
503 28 90-37	503289037	PISTON RING		2	
503 25 61-01	503256101	NEEDLE BEARING		1	
537 00 57-01	537005701	GASKET		1	
503 23 51-08	503235108	SPARK PLUG	RCJ 7Y	1	

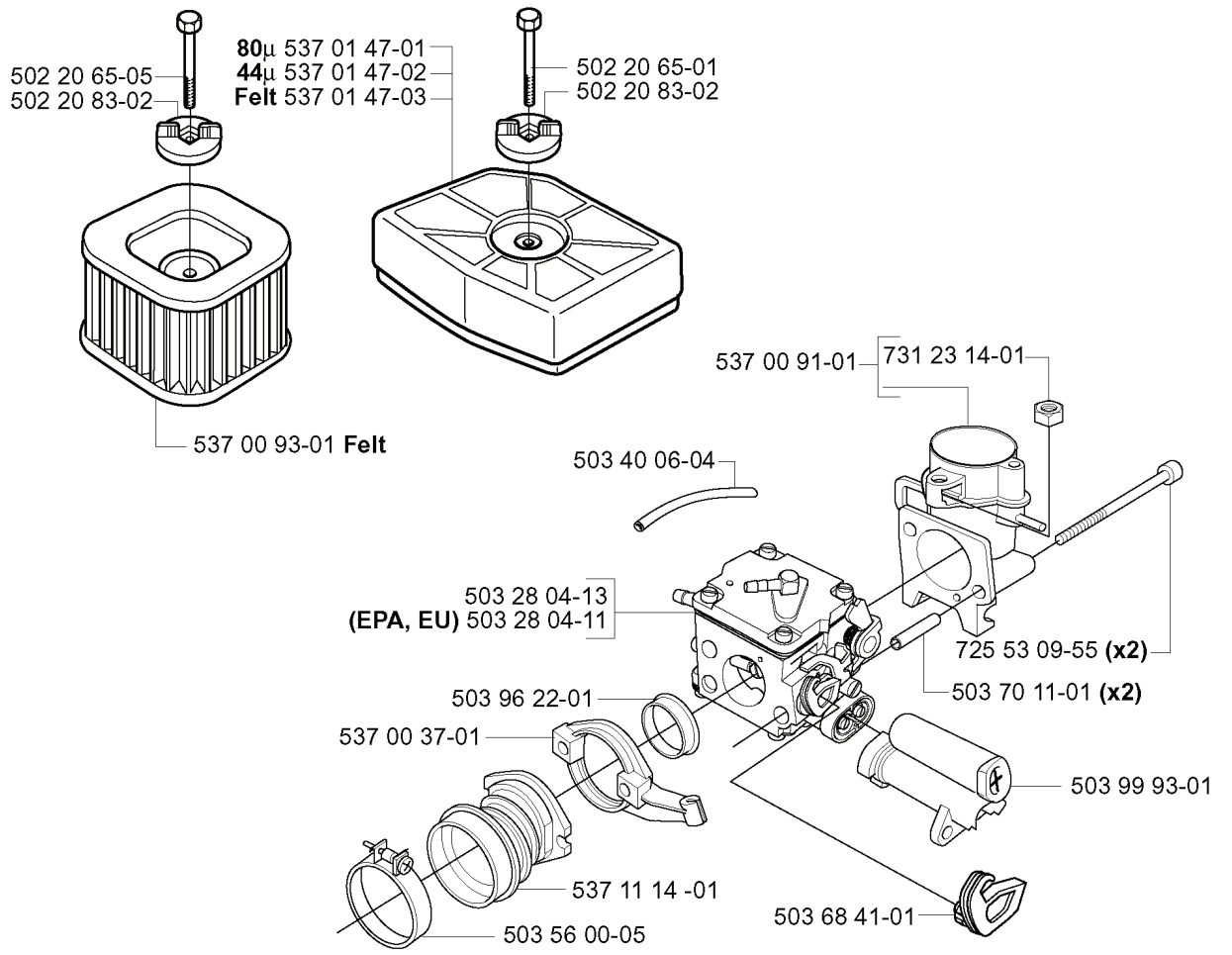
**Q** WINTER KIT  
compl 537 04 38-01



---

REF.	PART NO.	DESCRIPTION	REMARK	QTY.	KIT
537 04 38-01	537043801	WINTER KIT		1	
503 21 70-16	503217016	SCREW CCRPANT		2	

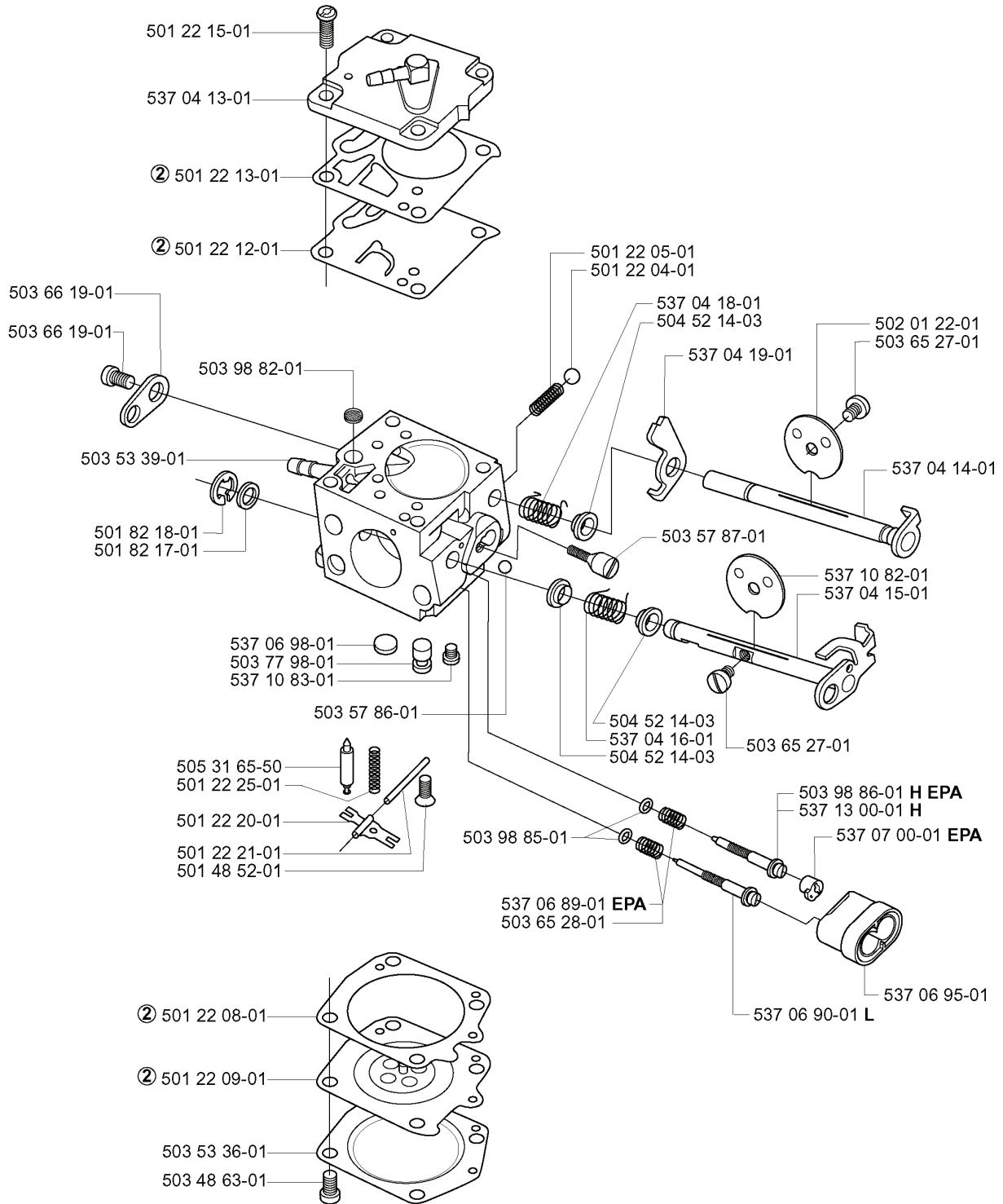
**G**



REF.	PART NO.	DESCRIPTION	REMARK	QTY.	KIT
502 20 65-05	502206505	SCREW EHHM		1	
502 20 83-02	502208302	KNOB		1	
537 01 47-01	537014701	AIR FILTER ASSY		1	
537 01 47-02	537014702	AIR FILTER ASSY		1	
537 01 47-03	537014703	AIR FILTER ASSY	FELT	1	
537 00 93-01	537009301	AIR FILTER	FELT	1	
503 28 04-13	503280413	CARBURETTOR		1	
503 28 04-11	503280411	CARBURETTOR	EPA, EU	1	
503 96 22-01	503962201	SUPPORT SLEEVE		1	
537 00 37-01	537003701	FLANGE		1	
537 11 14-01	537111401	INLET PIPE		1	
503 56 00-05	503560005	HOSE CLAMP		1	
503 68 41-01	503684101	LEVER		1	
503 99 93-01	503999301	GUIDE BUSHING		1	
503 70 11-01	503701101	TUBE		2	
725 53 09-55	725530955	SCREW IHSCM		2	
731 23 14-01	731231401	HEXAGON NUT		1	
503 40 06-04	503400604	IMPULSE HOSE		1	
537 00 91-01	537009101	FILTER HOLDER		1	
502 20 65-01	502206501	SCREW EHHM		1	

**P** compl 503 28 04-13  
 compl 503 28 04-11 EPA, EU

# Tilotson HS 299A Tilotson HS 296A EPA



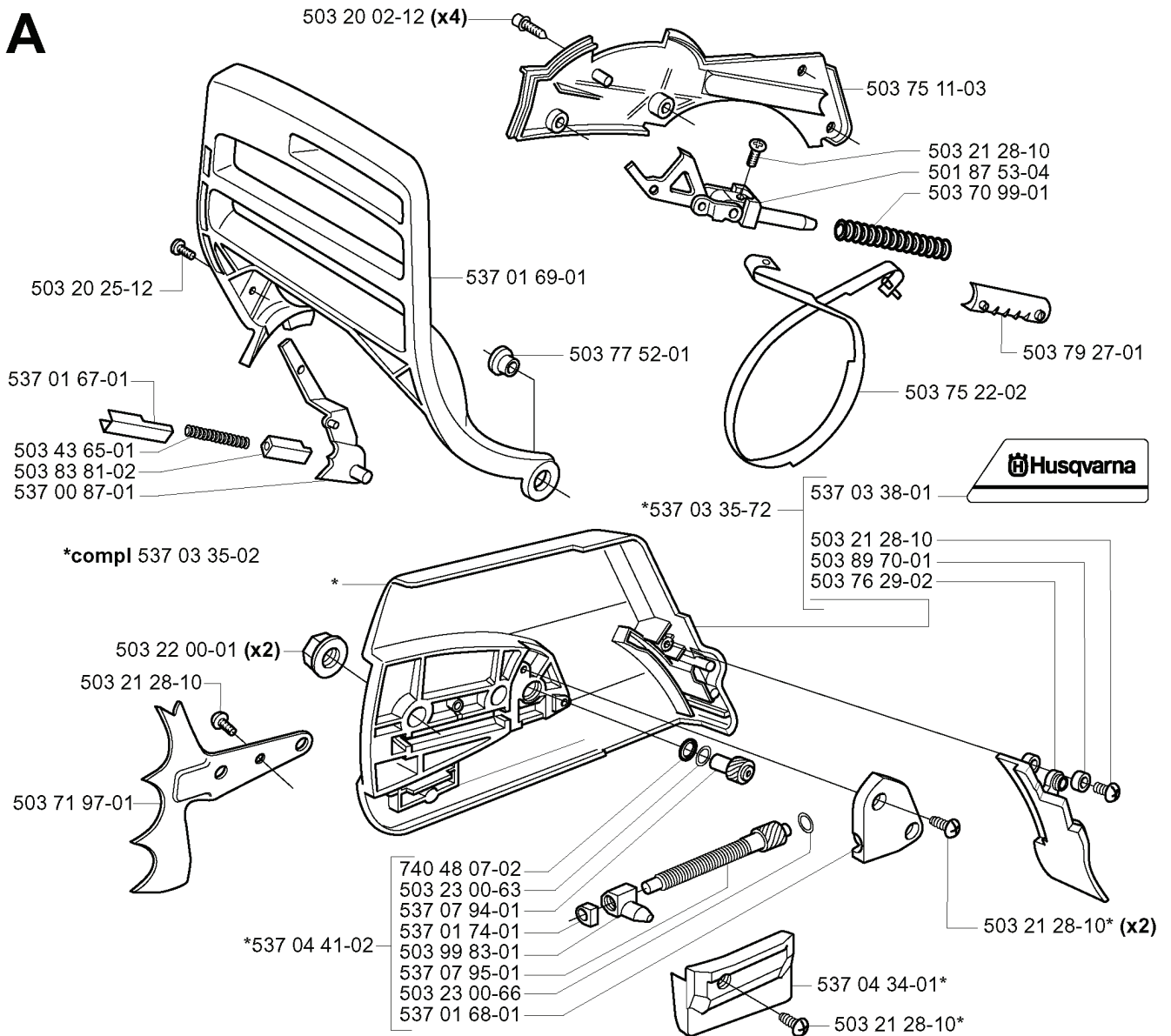
② 501 49 48-02  
**Packningssats**  
**Set of gaskets**  
**Dichtungssatz**  
**Jeu de joints**  
**Juego de juntas**

REF.	PART NO.	DESCRIPTION	REMARK	QTY.	KIT
503 28 04-13	503280413	CARBURETTOR		1	
503 28 04-11	503280411	CARBURETTOR	EPA, EU	1	
501 22 15-01	501221501	SCREW		1	
537 04 13-01	537041301	FUEL PUMP COVER		1	
501 22 13-01	501221301	GASKET	501 49 48-02 PACKNINGSSATS SET OF GASKETS	1	
501 22 12-01	501221201	DIAGRAM	501 49 48-02 PACKNINGSSATS SET OF GASKETS	1	
503 66 19-01	503661901	CHOKE LEVER		1	
503 98 82-01	503988201	SCREEN		1	
503 53 39-01	503533901	TUBE CONNECTOR		1	
501 82 18-01	501821801	THROTTLE SH.'E'RING		1	
501 82 17-01	501821701	WASHER		1	
537 06 98-01	537069801	PLUG WELCH		1	
503 77 98-01	503779801	CHECKVALVE ASSY		1	
537 10 83-01	537108301	JET		1	
503 57 86-01	503578601	BALL		1	
505 31 65-50	505316550	NEEDLE		1	
501 22 25-01	501222501	SPRING		1	
501 22 20-01	501222001	LEVER		1	
501 22 21-01	501222101	PIN		1	
501 48 52-01	501485201	SCREW		1	
501 22 08-01	501220801	GASKET	501 49 48-02 PACKNINGSSATS SET OF GASKETS	1	
501 22 09-01	501220901	DIAPHRAGM	501 49 48-02 PACKNINGSSATS SET OF GASKETS	1	
503 53 36-01	503533601	DIAPHRAGM		1	
503 48 63-01	503486301	SCREW		1	
503 65 28-01	503652801	SPRING		1	
537 06 89-01	537068901	SPRING	EPA	1	
503 98 85-01	503988501	RING		1	
504 52 14-03	504521403	THRO. RETU. SPR. SLEEVE		1	
537 04 16-01	537041601	SPRING		1	
503 98 86-01	503988601	NEEDLE	H EPA	1	
537 13 00-01	537130001	NEEDLE	H	1	
537 07 00-01	537070001	LIMITER CAP	EPA	1	
537 06 90-01	537069001	NEEDLE	L	1	
537 06 95-01	537069501	MODULE		1	
537 04 15-01	537041501	SHAFT ASSY		1	
537 10 82-01	537108201	THROTTLE SHUTTER		1	
503 57 87-01	503578701	IDLE SPEED SCREW		1	
537 04 14-01	537041401	CHOKE LEVER		1	
503 65 27-01	503652701	SCREW SHUTTER		1	
502 01 22-01	502012201	VALVE		1	

---

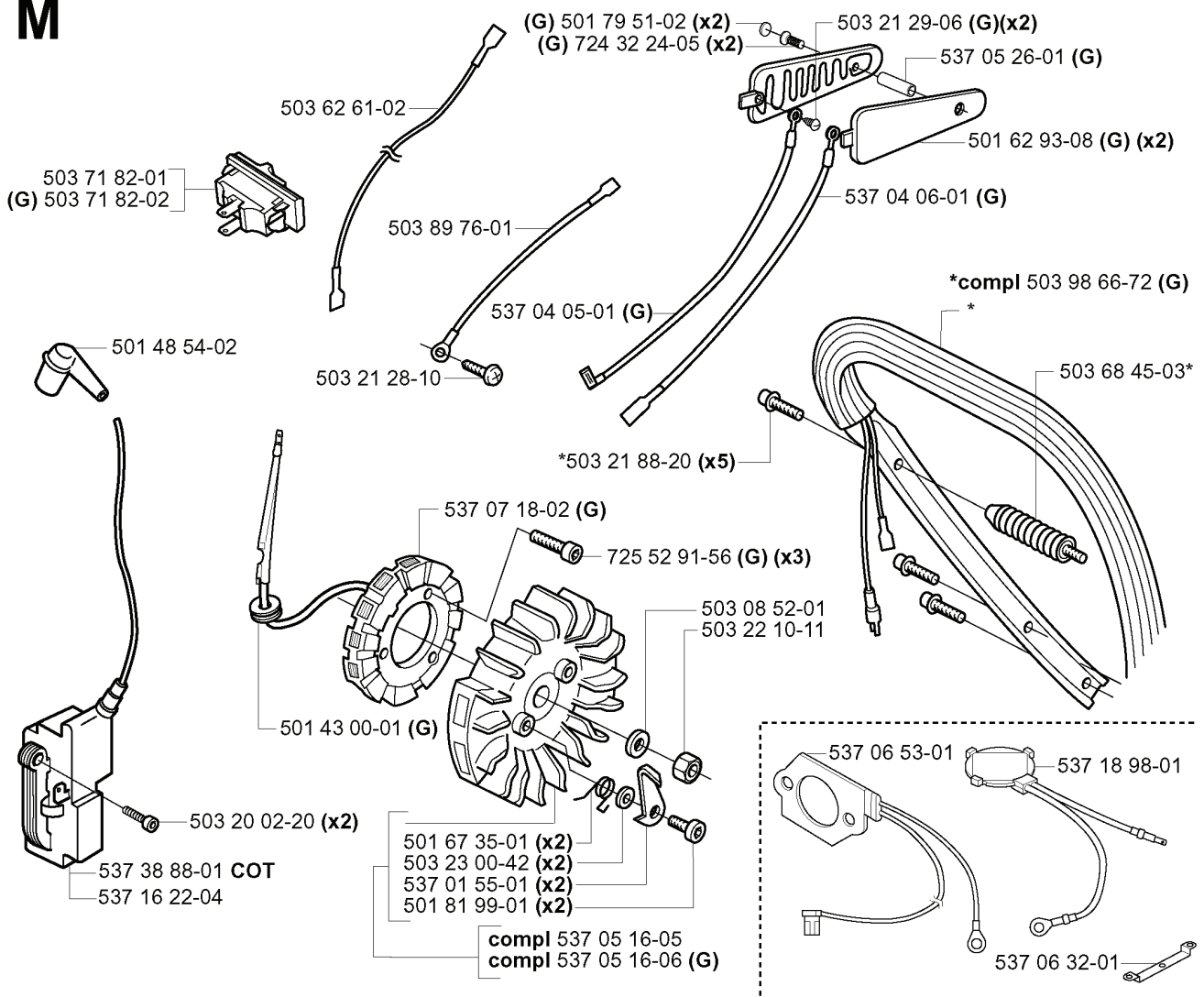
REF.	PART NO.	DESCRIPTION	REMARK	QTY.	KIT
537 04 19-01	537041901	LEVER		1	
537 04 18-01	537041801	SPRING		1	
501 22 04-01	501220401	BALL		1	
501 22 05-01	501220501	SPRING		1	

**A**



REF.	PART NO.	DESCRIPTION	REMARK	QTY.	KIT
503 20 02-12	503200212	SCREW IHSCFM		4	
503 20 25-12	503202512	SCREW IHSCM		1	
537 01 67-01	537016701	WEAR PROTECTION		1	
503 43 65-01	503436501	POSITION SPRING		1	
503 83 81-02	503838102	LOCK		1	
537 00 87-01	537008701	BRAKE LEVER		1	
537 03 35-02	537033502	CLUTCH COVER ASSY		1	
503 22 00-01	503220001	HEXAGON NUT		2	
503 21 28-10	503212810	SCREW CCRPANT		1	
503 71 97-01	503719701	SPIKE		1	
537 04 41-02	537044102	CHAIN TENSIONER		1	
537 01 68-01	537016801	COVER		1	
503 23 00-66	503230066	WASHER		1	
537 07 95-01	537079501	WORM SCREW		1	
503 99 83-01	503998301	PAWL		1	
537 01 74-01	537017401	BEARING SLEEVE		1	
537 07 94-01	537079401	WORM WHEEL		1	
503 23 00-63	503230063	WASHER		1	
740 48 07-02	740480702	O-RING		1	
537 01 69-01	537016901	HAND GUARD		1	
503 77 52-01	503775201	BUSHING		1	
537 03 35-72	537033572	CLUTCH COVER ASSY		1	
537 04 34-01	537043401	CHAIN GUIDE		1	
503 76 29-02	503762902	CHIP GUARD		1	
503 89 70-01	503897001	SLEEVE		1	
537 03 38-01	537033801	LABEL		1	
503 75 22-02	503752202	BRAKE BAND ASSY		1	
503 79 27-01	503792701	SUPPORT		1	
503 70 99-01	503709901	BRAKE SPRING		1	
501 87 53-04	501875304	KNEE JOINT		1	
503 75 11-03	503751103	HUB CAP		1	

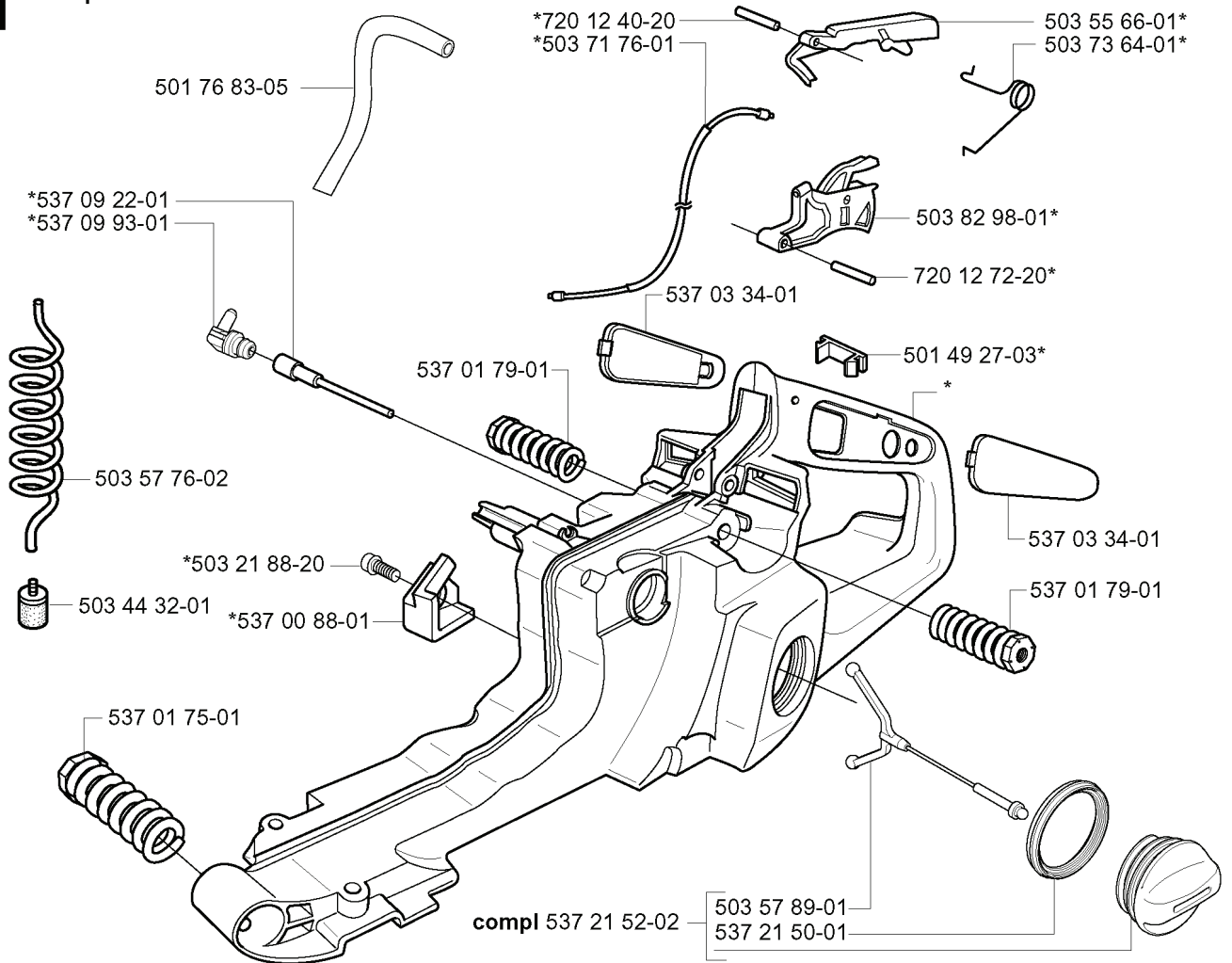
# M



REF.	PART NO.	DESCRIPTION	REMARK	QTY.	KIT
5036261-02	503626102	CABLE		1	
5037182-01	503718201	SWITCH		1	
5037182-02	503718202	SWITCH	G	1	
5014854-02	501485402	SPARK PLUG CAP		1	
5032002-20	503200220	SCREW IHSCFM		2	
5373888-01	537388801	IGNITION SYSTEM	COT	1	
5371622-04	537162204	IGNITION SYSTEM		1	
5370516-06	537051606	FLYWHEEL ASSY	G	1	
5370516-05	537051605	FLYWHEEL ASSY		1	
5018199-01	501819901	SCREW		2	
5370155-01	537015501	STARTER PAWL		2	
5032300-42	503230042	WASHER		2	
5016735-01	501673501	SPRING		2	
5014300-01	501430001	CABLE GROMMET	G	1	
5032128-10	503212810	SCREW CCRPANT		1	
5038976-01	503897601	CABLE		1	
5017951-02	501795102	COVER WASHER	G	2	
7243224-05	724322405	SCREW CRCSFM	G	2	
5370405-01	537040501	CABLE	G	1	
5032188-20	503218820	SCREW IHSCCT		5	
5370718-02	537071802	STATOR ASSY	G	1	
7255291-56	725529156	SCREW IHSCM	G	3	
5030852-01	503085201	WASHER		1	
5032210-11	503221011	HEXAGON NUT		1	
5370653-01	537065301	FOIL ELEMENT		1	
5370632-01	537063201	RETAINER		1	
5371898-01	537189801	THERMOSTAT ASSY		1	
5036845-03	503684503	ANTIVIBRATION ELEMENT		1	
5039866-72	503986672	FRONT HANDLE ASSY	G	1	
5370406-01	537040601	CABLE	G	1	
5016293-08	501629308	HANDLE INSERT	G	2	
5370526-01	537052601	SPACER	G	1	
5032129-06	503212906	SCREW CCRPANT	G	2	

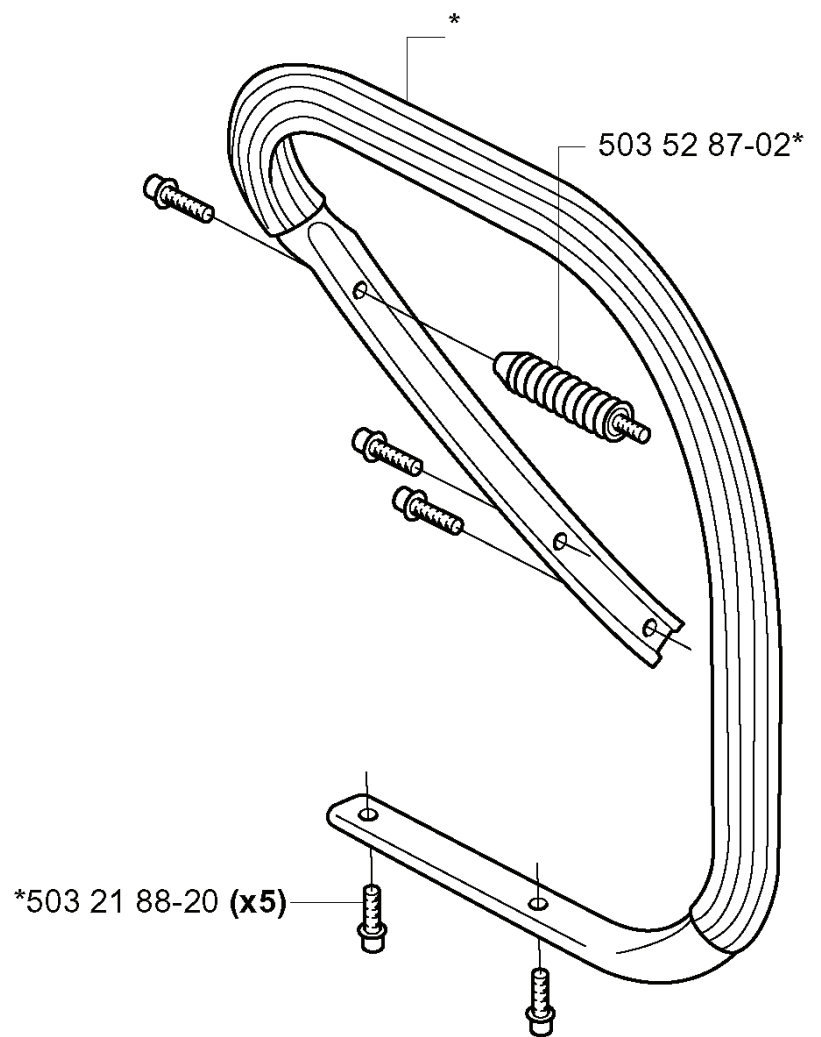
**H**

**\*compl 537 00 03-71**



REF.	PART NO.	DESCRIPTION	REMARK	QTY.	KIT
5370003-71	537000371	FUEL TANK		1	
5017683-05	501768305	FUEL HOSE		1	
5370922-01	537092201	TANK VENT ASSY		1	
5370993-01	537099301	CONNECTION BEND		1	
5035776-02	503577602	FUEL HOSE		1	
5032188-20	503218820	SCREW IHSCT		1	
5034432-01	503443201	FUEL FILTER		1	
5370088-01	537008801	COVER		1	
5370175-01	537017501	INSULATOR		1	
5372152-02	537215202	TANK CAP ASSY		1	
5037176-01	503717601	THROTTLE CABLE ASSY		1	
7201240-20	720124020	PARALLEL PIN		1	
5370334-01	537033401	HANDLE INSERT		1	
5035789-01	503578901	HOLDER		1	
5372150-01	537215001	SEALING		1	
5370179-01	537017901	INSULATOR		1	
5014927-03	501492703	COVER		1	
7201272-20	720127220	PARALLEL PIN		1	
5038298-01	503829801	TRIGGER		1	
5037364-01	503736401	SPRING		1	
5035566-01	503556601	THROTTLE LOCKOUT		1	

**K** \*compl 503 98 66-71  
\*compl 503 98 66-72 (G)

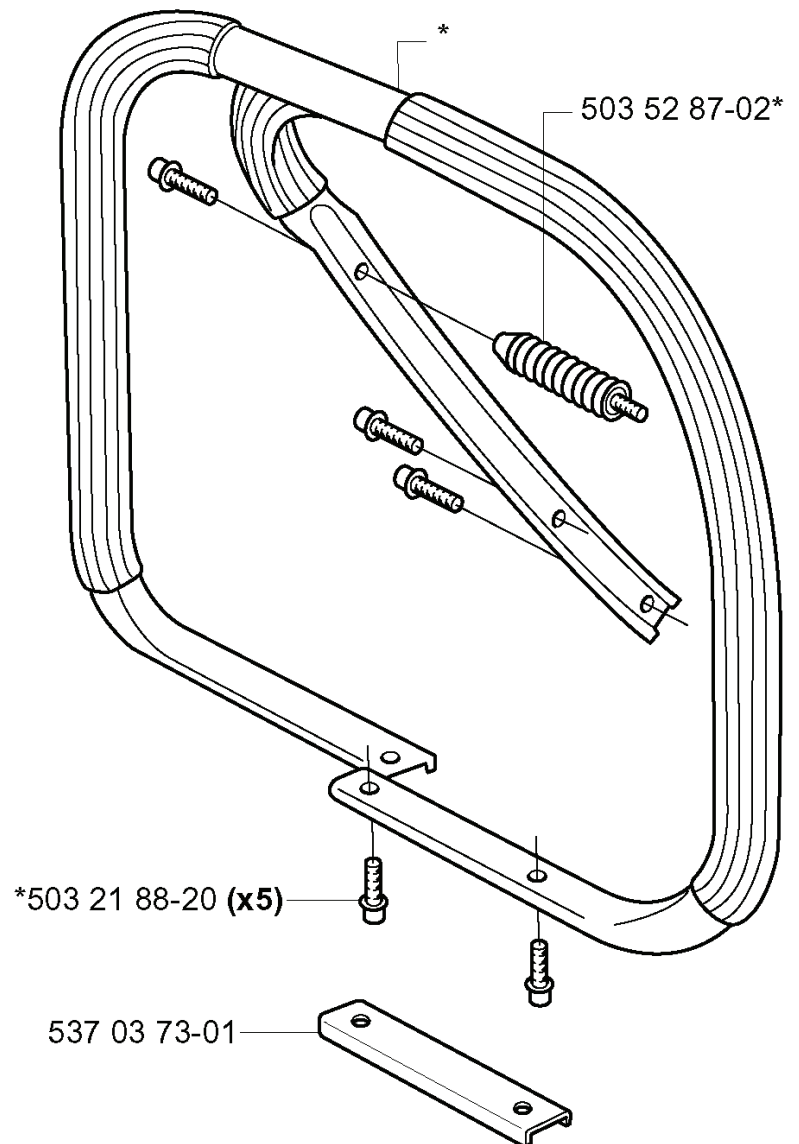


---

REF.	PART NO.	DESCRIPTION	REMARK	QTY.	KIT
5039866-71	503986671	FRONT HANDLE ASSY		1	
5039866-72	503986672	FRONT HANDLE ASSY	G	1	
5032188-20	503218820	SCREW IHSCT		5	
5035287-02	503528702	INSULATOR		1	



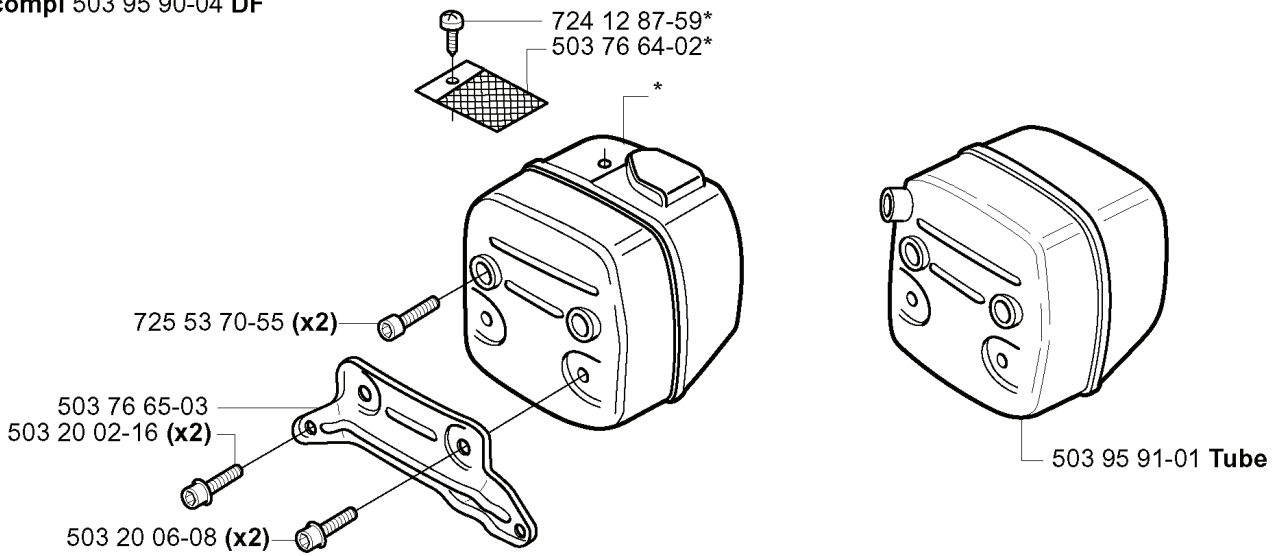
\*compl 503 98 67-71 WA  
\*compl 503 98 67-02 WA (G)



---

REF.	PART NO.	DESCRIPTION	REMARK	QTY.	KIT
5039867-71	503986771	FRONT HANDLE ASSY	WA	1	
5039867-02	503986702	FRONT HANDLE ASSY	WA (G)	1	
5032188-20	503218820	SCREW IHSCT		5	
5370373-01	537037301	REINFORCING PLATE		1	
5035287-02	503528702	INSULATOR		1	

**F** compl 503 95 90-01 FG  
compl 503 95 90-03 Jungle  
\*compl 503 95 90-04 DF



REF.	PART NO.	DESCRIPTION	REMARK	QTY.	KIT
503 95 90-01	503959001	MUFFLER ASSY	FG	1	
503 95 90-03	503959003	MUFFLER ASSY	JUNGLE	1	
503 95 90-04	503959004	MUFFLER ASSY	DF	1	
725 53 70-55	725537055	SCREW IHSCM		2	
503 76 65-03	503766503	BRACKET		1	
503 20 02-16	503200216	SCREW IHSCFM		2	
503 20 06-08	503200608	SCREW IHSCFM		2	
503 76 64-02	503766402	SPARK ARRESTER SCREEN		1	
724 12 87-59	724128759	SCREW CRPANM		1	
503 95 91-01	503959101	MUFFLER PIPE	TUBE	1	



REF.	PART NO.	DESCRIPTION	REMARK	QTY.	KIT
537 00 38-71	537003871	STARTER ASSY		1	
503 21 49-16	503214916	SCREW IHSCFT		1	
503 23 43-02	503234302	WASHER		1	
503 85 96-01	503859601	STARTER PULLEY		1	
503 78 72-01	503787201	RECOIL SPRING		1	
537 00 39-71	537003971	STARTER HOUSING		1	
537 32 70-02	537327002	LABEL	XPG	1	
537 32 70-01	537327001	LABEL	XP	1	
503 20 34-19	503203419	SCREW CCRPANMO		4	
501 63 06-01	501630601	SLEEVE		1	
537 08 67-01	537086701	BUSHING		1	
503 43 29-01	503432901	STARTER ROPE		1	
503 54 39-01	503543901	STARTER HANDLE		1	
537 00 13-01	537001301	AIR CONDUCTOR		1	