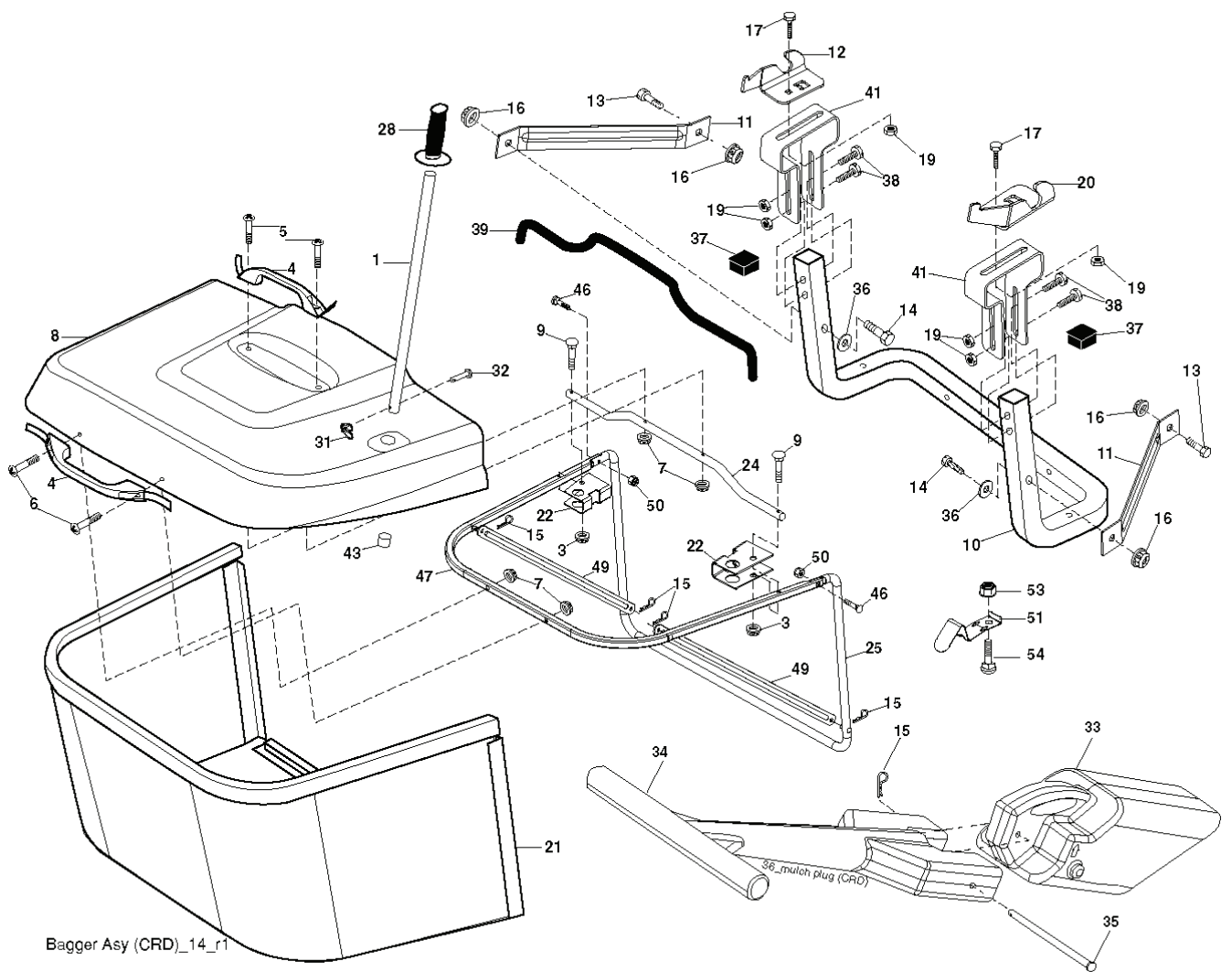


CTH220 TWIN, 96061019103, 2008-11

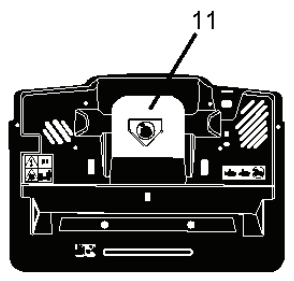
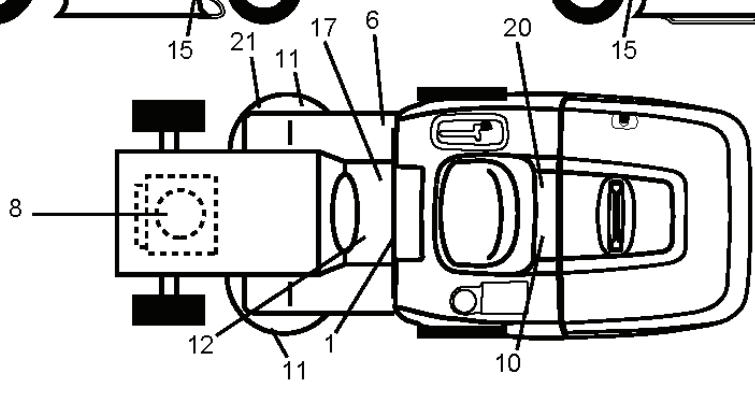
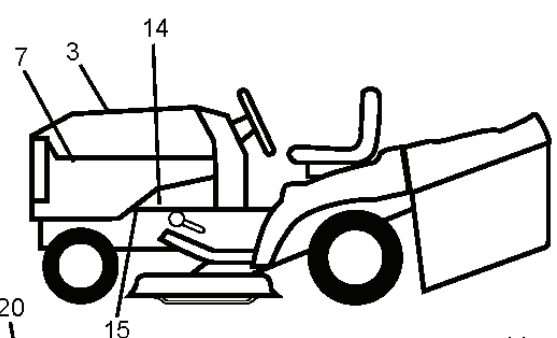
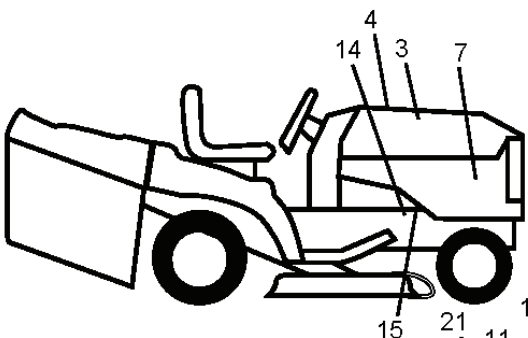
SPARE PARTS LIST



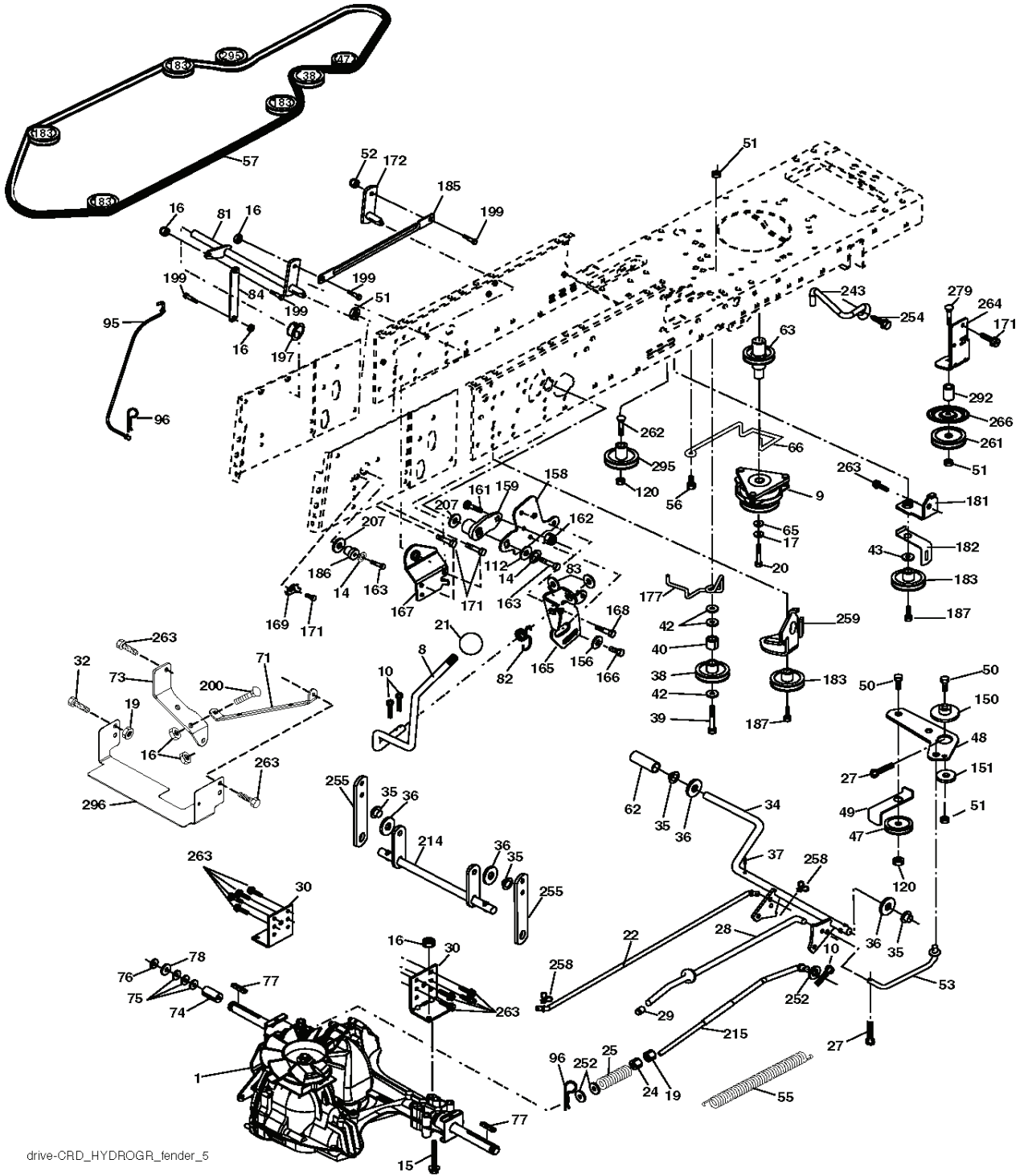
Bagger Asy (CRD)_14_r1

REF.	PART NO.	DESCRIPTION	REMARK	QTY.	KIT
1	532165249	ROD		1	
3	532123976	LOCKNUT		1	
4	532169916	HANDLE		1	
5	874981024	SCREW		1	
6	874981032	SCREW		1	
7	873401000	NUT		1	
8	532181095	COVER		1	
9	872140418	BOLT		1	
10	532181282	TUBE		1	
11	532165719	ROD		1	
12	532188848	BRACKET		1	
13	874760612	BOLT		1	
14	874520636	BOLT		1	
15	532124670	RETAINER RING		1	
16	873900600	NUT		1	
17	872140506	BOLT		1	
19	873900500	NUT		1	
20	532188847	BRACKET		1	
21	532406180	COLLECTION BAG		1	
22	532165781	CLAMP		1	
24	532165783	FRAME		1	
25	532193705	PIPE		1	
28	532165787	HANDLE		1	
31	532169484	PIN		1	
32	532126875	RIVET		1	
33	532169380	PLUG		1	
34	532165570	HANDLE		1	
35	532165572	PIN RETAINING SCREW		1	
36	819132012	WASHER		1	
37	532175401	PLUG		1	
38	872010520	BOLT		1	
39	532416257	SEALING		1	
41	532169683	BRACKET		1	
43	532174083	PLUG		1	
46	872110510	BOLT		1	
47	532193704	PIPE		1	
49	532193305	ROD		1	
50	873800500	LOCK NUT		1	
51	532199903	LATCH		1	
53	873510400	NUT		1	
54	872140406	BOLT		1	

REF.	PART NO.	DESCRIPTION	REMARK	QTY.	KIT
1	532174620	CHASSIS		1	
2	532180384	DRAWBAR		1	
3	817060612	SCREW		1	
5	532407590	DAMPING PIECE		1	
6	532184419	PLATE		1	
8	532126471	CLIP		1	
9	532408911	PANEL		1	
10	872140608	BOLT		1	
11	532167203	PLATE		1	
13	532178298	PANEL		1	
15	874180512	SCREW		1	
16	873510500	NUT		1	
17	532411046	HOOD		1	
18	532404742	DAMPING PIECE		1	
24	874780616	BOLT		1	
25	819131312	WASHER		1	
26	873800600	NUT		1	
28	532408607	FRONT COVER		1	
30	532197376	GUARD		1	
31	532165156	BRACKET		1	
33	532181057	FOOTREST		1	
34	532181058	FOOTREST		1	
35	872110606	BOLT		1	
37	817490508	SCREW		1	
38	532181748	BRACKET		1	
42	532198907	LENS		1	
43	532198906	LENS		1	
58	532198512	BRACKET		1	
64	532199395	PANEL		1	
69	532142432	SCREW		1	
89	532197377	BRACKET		1	
141	873900600	NUT		1	
145	532409167	ROD		1	
154	532408690	BRACKET		1	
155	532408691	BRACKET		1	
162	532180382	BRACKET		1	
163	532180383	BRACKET		1	
164	532165605	SUPPORT		1	
165	532181100	COVER		1	
170	532199488	COVER		1	
171	872140620	BOLT		1	
172	819132016	WASHER		1	
173	873510600	NUT		1	
175	532188203	DOOR TRAP		1	
179	532188202	ROD PIVOT FBI		1	
184	532174662	BRACKET		1	
185	532181101	KNOB		1	
186	532160793	LATCH		1	
187	532125004	NUT		1	
188	819061216	WASHER		1	
189	810071000	WASHER		1	
190	871081010	SCREW		1	
198	532168937	WASHER		1	
205	817490608	SCREW		1	
207	817670508	SCREW		1	
209	817000612	SCREW		1	
213	532401711	LIST		1	
214	532401709	LIST		1	
256	532181361	COVER		1	
263	532197198	LENS		1	
264	532197199	LENS		1	
265	532185704	SEALING		1	
266	532185703	SEALING		1	
272	532403048	LIST		1	
273	532403076	LIST		1	
278	532416358	SCREW		1	
295	532416615	VENT.ASM.TORPHD.HUSQGT.LOGO.CL		1	
300	532199131	INSERT		1	
301	532199130	INSERT		1	
302	532199132	INSERT		1	
303	532199133	INSERT		1	
304	817060410	SCREW		1	
307	532425125	SHIELD		1	



REF.	PART NO.	DESCRIPTION	REMARK	QTY.	KIT
1	532400389	LABEL		1	
3	532422012	DECAL		1	
4	532408798	DECAL		1	
6	532180432	DECAL		1	
7	532409679	DECAL		1	
8	532196841	DECAL		1	
10	532145005	DECAL		1	
11	532182166	DECAL		1	
12	532159737	DECAL		1	
14	532159736	DECAL		1	
15	532401146	DECAL		1	
17	532140837	DECAL		1	
20	532166960	DECAL		1	
21	532166286	DECAL		1	
--	532180435	DECAL		1	
--	532138311	DECAL		1	
--	532181917	PROTEGE*RPL.PAR 532179769418		1	
--	532181916	PROTEGE*RPL.PAR 532179768418		1	
--	532409055	OPERATOR'S MANUAL		1	

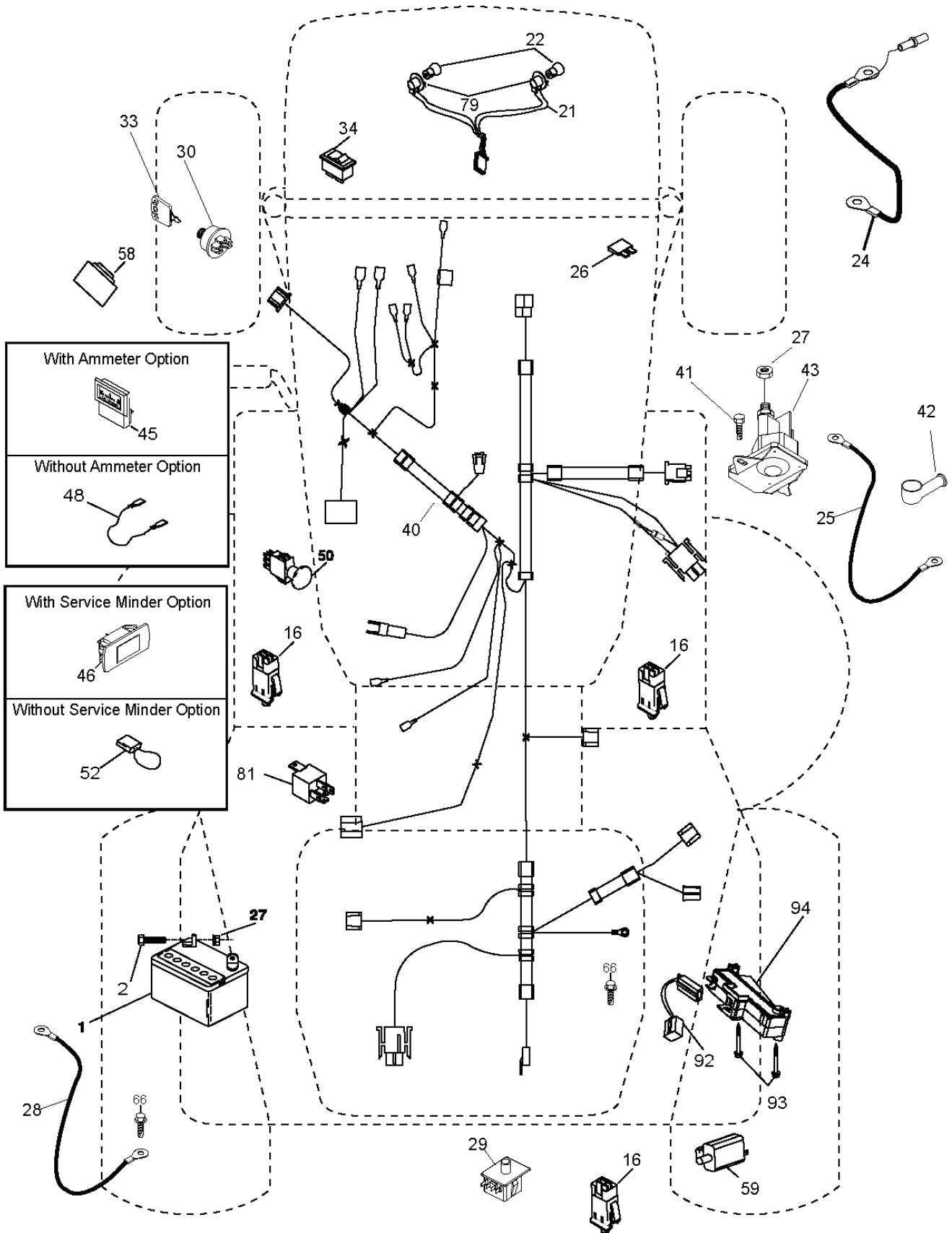


drive-CRD_HYDROGR_fender_5

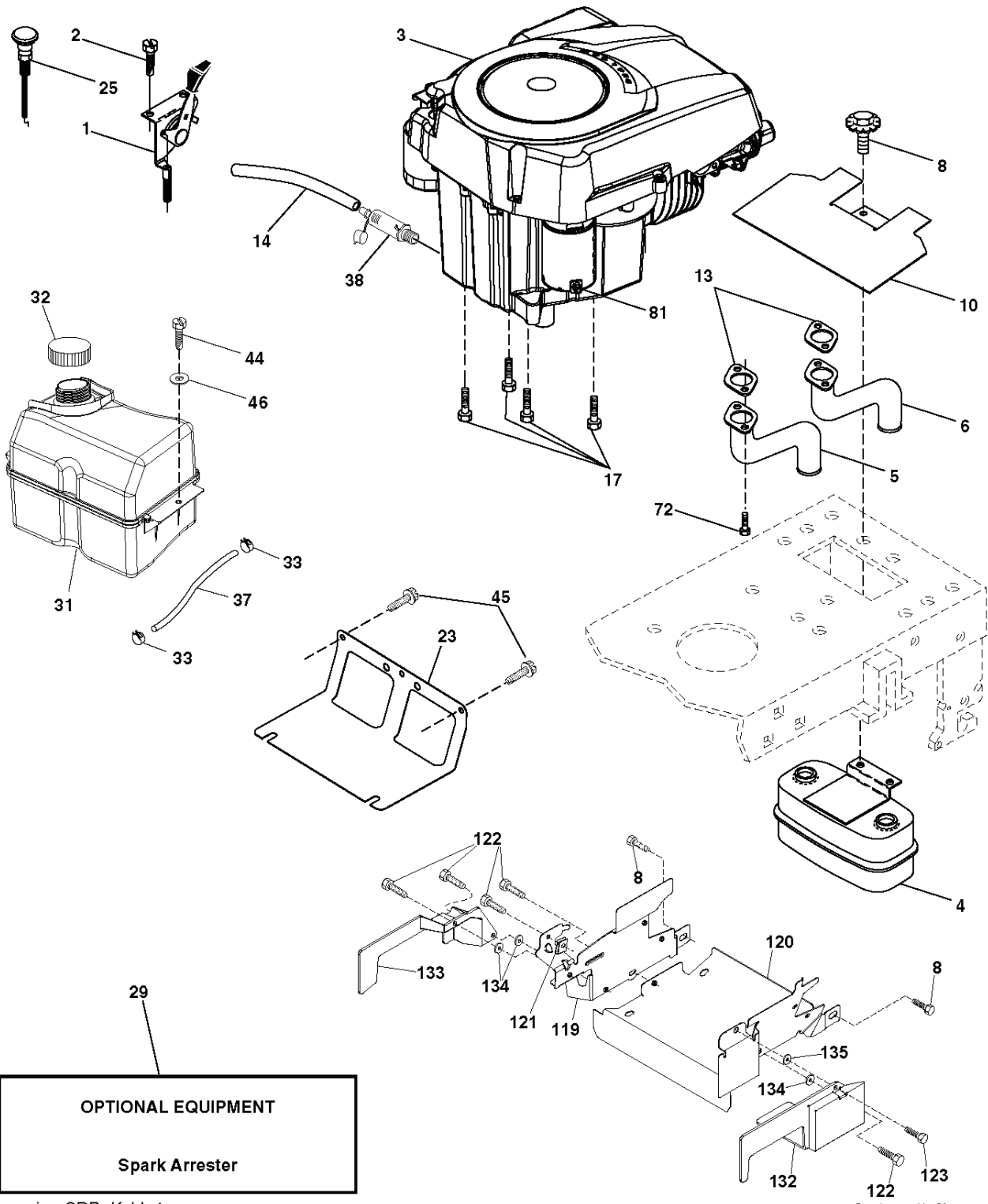
REF.	PART NO.	DESCRIPTION	REMARK	QTY.	KIT
1				1	
8	532192706	LEVER		1	
9	532198143	CLUTCH		1	
10	876020416	SPLIT PIN		1	
14	810040400	WASHER		1	
15	874490544	SCREW		1	
16	873800500	LOCK NUT		1	
17	532126197	WASHER		1	
19	873800600	NUT		1	
20	532173937	BOLT		1	
21	532121274	KNOB		1	
22	532175607	ROD		1	
24	873350600	NUT		1	
25	532192036	SPRING		1	
27	876020412	SPLIT PIN		1	
28	532175765	SHAFT		1	
29	532124236	PLUNGER		1	
30	532169592	BRACKET		1	
32	874760512	BOLT		1	
34	532175578	SHAFT		1	
35	532120183	BEARING		1	
36	819211616	WASHER		1	
37	532124963	PIN RETAINING SCREW		1	
38	532165936	PULLEY		1	
39	874760644	BOLT		1	
40	532124965	SPACER		1	
42	819131312	WASHER		1	
43	819111012	WASHER		1	
47	532127783	PULLEY		1	
48	532154407	GUIDE		1	
49	532123205	BELT GUIDE		1	
50	872110612	BOLT		1	
51	873680600	NUT		1	
52	873680500	NUT		1	
53	532199652	TIGE DE TENSION POULIE		1	
55	532105709	SPRING		1	
56	817060620	SCREW		1	
57	532170140	BELT		1	
62	532124872	PEDAL RUBBER		1	
63	532180397	PULLEY		1	
65	810040700	WASHER		1	
66	532154778	TENSIONER		1	
71	532169183	ROD		1	
73	532169182	BRACKET		1	
74	532137057	SPACER		1	
75	532121749	WASHER		1	
76	812000001	RETAINER RING		1	
77	532123583	KEY		1	
78	532121748	WASHER		1	
81	532170006	SHAFT		1	
82	532165711	SPRING		1	
83	819171216	WASHER		1	
84	532170007	LINK		1	
95	532170015	LINK		1	
96	532124788	RETAINER RING		1	
112	819091210	WASHER		1	
120	873900600	NUT		1	
150	532165850	BUSHING		1	
151	819133210	WASHER		1	
156	532166002	WASHER		1	
158	532165589	BRACKET		1	
159	532183900	LEVER		1	
161	872140406	BOLT		1	
162	873680400	NUT		1	
163	874780416	BOLT		1	
165	532165623	BRACKET		1	
166	817490510	SCREW		1	
167	532165588	BRACKET		1	
168	532165492	BOLT		1	
169	532165580	RETAINER		1	
171	817490608	SCREW		1	
172	532170271	LINK		1	
177	532165932	HOLDER		1	
181	532180211	BRACKET		1	
182	532182682	BELT GUIDE		1	
183	532199532	PULLEY		1	
185	532170008	LINK		1	
186	532165614	HUB		1	

REF.	PART NO.	DESCRIPTION	REMARK	QTY.	KIT
187	817580520	BOLT		1	
197	532169613	SLEEVE		1	
199	532169612	SCREW		1	
200	872140508	BOLT		1	
207	532169845	WASHER		1	
214	532175609	LEVER		1	
215	532175652	ROD		1	
243	532190736	BRACKET		1	
252	819131616	WASHER		1	
254	817000616	SCREW		1	
255	532175608	SHAFT		1	
258	532178062	CLIP		1	
259	532180212	BRACKET		1	
261	532131494	PULLEY		1	
262	872110622	BOLT		1	
263	817000612	SCREW		1	
264	532197607	BRACKET		1	
266	532182061	PROTECTOR		1	
279	872110616	BOLT		1	
292	532400271	SPACER		1	
295	532179114	PULLEY		1	
296	532420920	SHIELD		1	

C03



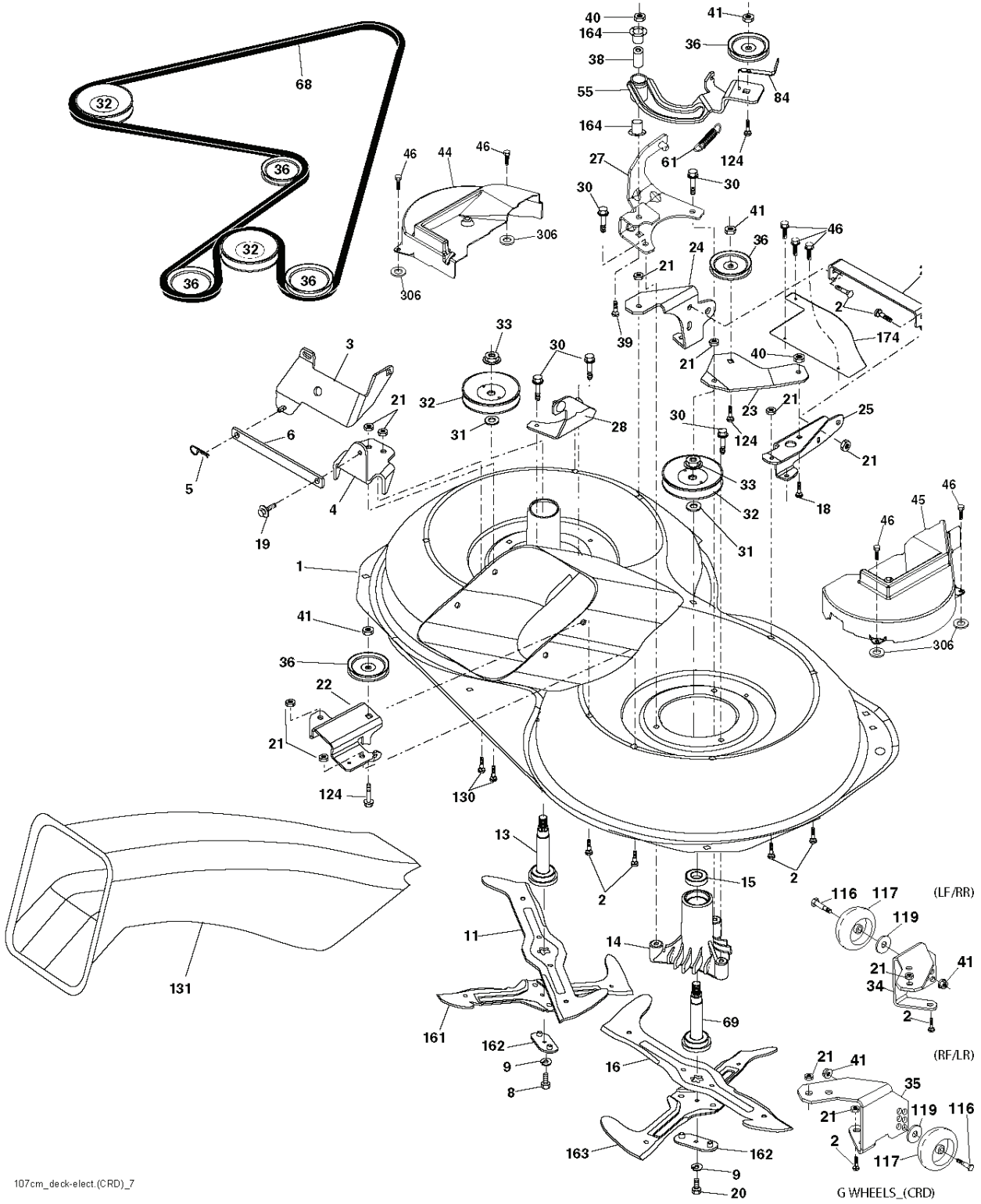
REF.	PART NO.	DESCRIPTION	REMARK	QTY.	KIT
1	532163465	BATTERY		1	
2	874760412	BOLT		1	
16	532176138	MICRO SWITCH		1	
21	532183759	HARNESS		1	
22	532004152	BULB		1	
24	532108423	CABLE ASSY		1	
25	532165987	CABLE		1	
26	532175158	FUSE		1	
27	873510400	NUT		1	
28	532127725	CABLE		1	
29	532192749	SWITCH.SEAT.DP W/RAMPS		1	
30	532193350	IGNITION MODULE		1	
33	532411935	KEY		1	
34	532110712	SWITCH		1	
40	532197434	CABLE ASSY		1	
41	871110408	BOLT		1	
42	532131563	COVER		1	
43	532192507	SOLENOID		1	
46	532413931	HOUR METER		1	
48	532140844	ADAPTER		1	
50	532174651	SWITCH		1	
58	532169419	BUZZER		1	
59	532180379	SWITCH FBI		1	
66	817490608	SCREW		1	
79	532175242	HOLDER		1	
81	532109748	RELAY		1	
92	532196615	CABLE ASSY		1	
93	532192540	SCREW		1	
94	532191834	MODULE.REVERSE.ROS		1	



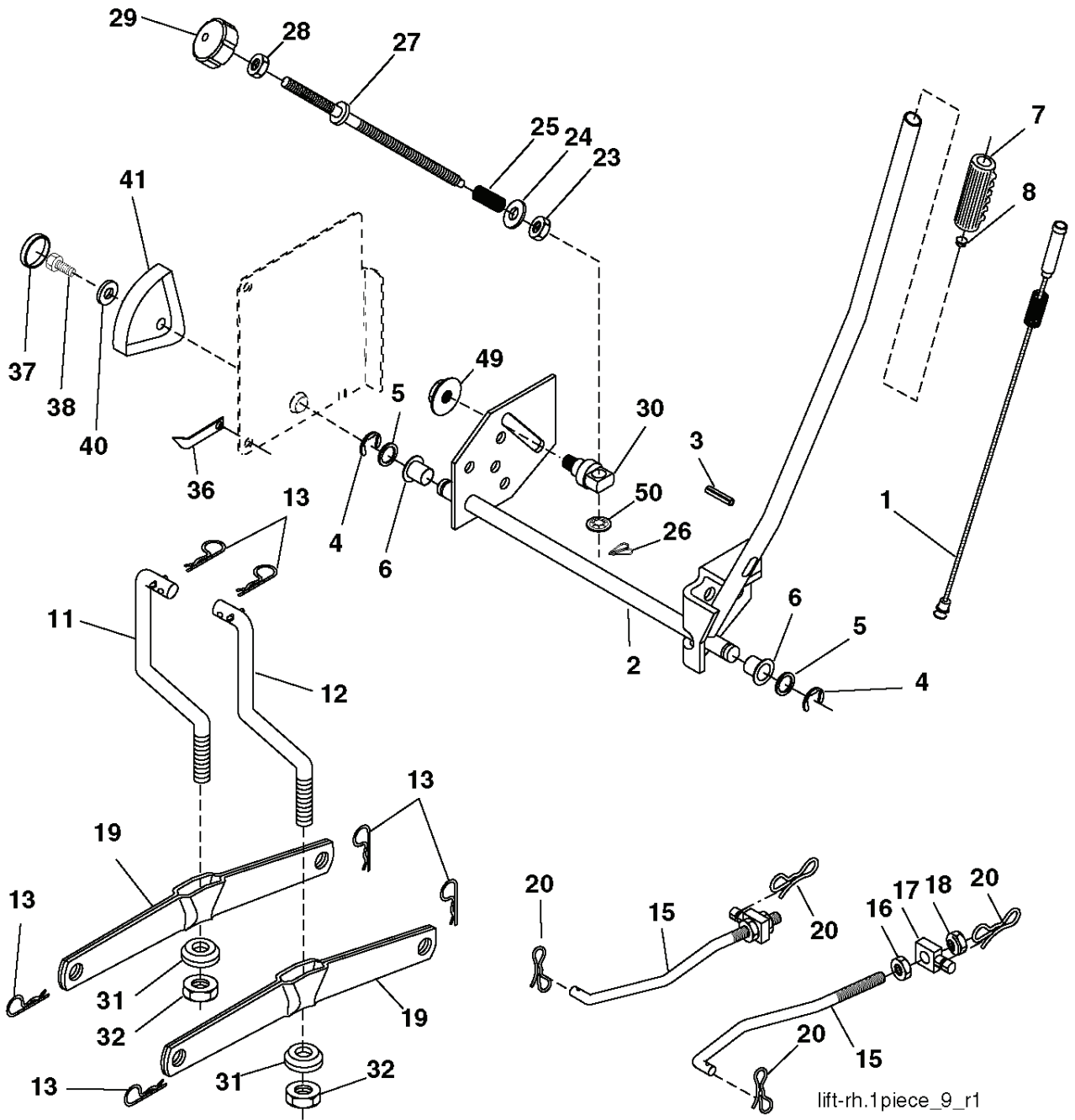
OPTIONAL EQUIPMENT

Spark Arrester

REF.	PART NO.	DESCRIPTION	REMARK	QTY.	KIT
1	532182937	THROTTLE CONTROL		1	
2	532416358	SCREW		1	
3				1	
4	532149723	MUFFLER		1	
5	532146699	PIPE		1	
6	532146700	PIPE		1	
8	532171877	BOLT		1	
10	532146629	HEAT SHIELD		1	
13	532186054	GASKET MUFFLER		1	
14	532148456	TUBE		1	
17	817120616	SCREW		1	
23	532169837	HEAT SHIELD		1	
25	532189541	CHOKE CONTROL		1	
29	532137180	SPARK ARRESTER KIT		1	
31	532407489	TANK FUEL		1	
32	532197725	PLUG		1	
33	532123487	HOSE CLAMP		1	
37	532137040	HOSE		1	
38	532181654	PLUG		1	
44	817670412	SCREW		1	
45	817000612	SCREW		1	
46	819091416	WASHER		1	
72	532192334	SCREW		1	
81	873510400	NUT		1	
119	532199768	* LENKRAD		1	
120	532199767	GUARD		1	
121	532196688	NUT		1	
122	532137729	SCREW		1	
123	817670508	SCREW		1	
132	532420757	SHIELD		1	
133	532420756	SHIELD		1	
134	532423062	NUT		1	
135	532423063	WASHER		1	

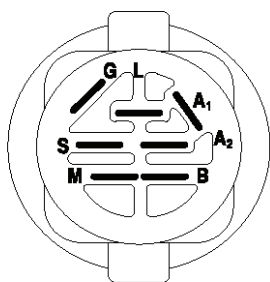
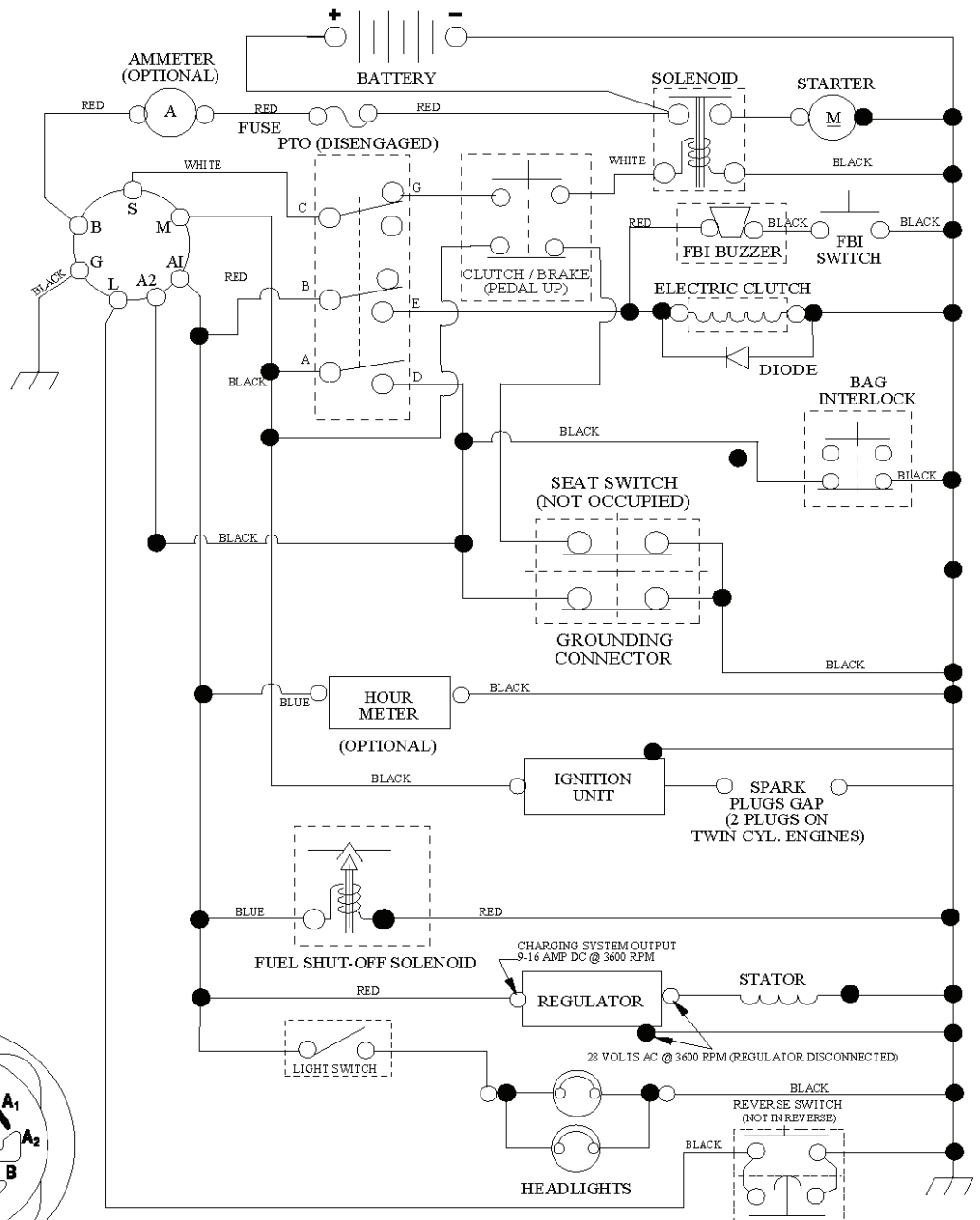


REF.	PART NO.	DESCRIPTION	REMARK	QTY.	KIT
1	532169160	HOUSING		1	
2	872140506	BOLT		1	
3	532165569	BRACKET		1	
4	532169167	BRACKET		1	
5	532124670	RETAINER RING		1	
6	532165557	ROD		1	
8	532181712	BOLT		1	
9	810030600	WASHER		1	
11	532180583	BLADE		1	
13	532137645	SHAFT		1	
14	532128774	BEARING HOUSING		1	
15	532110485	BEARING		1	
16	532180584	BLADE		1	
18	872110606	BOLT		1	
19	532132827	SPEC. BOLT		1	
20	532181713	BOLT		1	
21	873680500	NUT		1	
22	532169165	BRACKET		1	
23	532169166	BRACKET		1	
24	532413436	BRACKET		1	
25	532400105	BRACKET		1	
26	532400110	SUPPORT		1	
27	532169172	BRACKET		1	
28	532169168	BRACKET		1	
30	532173984	SCREW		1	
31	532187690	WASHER		1	
32	532198145	PULLEY		1	
33	532400234	NUT		1	
34	532400103	BRACKET		1	
35	532400104	BRACKET		1	
36	532146763	PULLEY		1	
38	532169851	SPACER		1	
39	872110622	BOLT		1	
40	873680600	NUT		1	
41	873900600	NUT		1	
44	532420754	COVER		1	
45	532420755	COVER		1	
46	532137729	SCREW		1	
55	532169849	LEVER		1	
61	532199487	SPRING		1	
68	532402009	BELT		1	
69	532165482	SHAFT		1	
84	532156085	BELT GUIDE		1	
116	532193406	BOLT		1	
117	532174873	WHEEL		1	
119	819132012	WASHER		1	
124	872110612	BOLT		1	
130	872110506	BOLT		1	
131	532165661	PIPE		1	
161	532180424	BLADE		1	
162	532180878	ADAPTER		1	
163	532180425	BLADE		1	
164	532124937	BEARING COL. STRG.		1	
174	532400240	PLATE		1	
306	532423062	NUT		1	
---	532181857	BEARING HOUSING		1	
---	532181858	BEARING HOUSING		1	
---	532422789	CUTTING DECK		1	



lift-rh.1piece_9_r1

REF.	PART NO.	DESCRIPTION	REMARK	QTY.	KIT
1	532405007	PLUNGE		1	
2	532198070	SHAFT		1	
3	532188822	GROOVED PIN		1	
4	812000002	RETAINER RING		1	
5	819211621	WASHER		1	
6	532120183	BEARING		1	
7	532125631	HANDLE		1	
8	532122365	PLUG		1	
11	532165829	ROD		1	
12	532165831	ROD		1	
13	532124670	RETAINER RING		1	
15	532173288	LINK		1	
16	873350800	NUT		1	
17	532175689	BRACKET		1	
18	873800800	NUT		1	
19	532139868	LEVER		1	
20	532194209	SPRING		1	
23	532110807	NUT		1	
24	819131016	WASHER		1	
25	532164024	SPRING		1	
26	532169484	PIN		1	
27	532164543	ROD		1	
28	873350600	NUT		1	
29	532138057	KNOB		1	
30	532150233	TRUNNION		1	
31	532169865	BEARING		1	
32	873540600	NUT		1	
36	532155097	INDICATOR		1	
37	532123935	PLUG		1	
38	817060516	SCREW		1	
40	819112410	WASHER		1	
41	532123934	INDICATOR		1	
49	532145212	NUT		1	
50	532110452	NUT		1	



IGNITION SWITCH

POSITION	CIRCUIT	"MAKE"
OFF	M+G+A1	
RUN/OVERRIDE	B+A1	
RUN	B+A1	L+A2
START	B + S + A1	

WIRING INSULATED CLIPS
 NOTE: IF WIRING INSULATED CLIPS WERE REMOVED FOR SERVICING OF UNIT, THEY SHOULD BE RE-INSTALLED TO PROPERLY SECURE YOUR WIRING.

03048

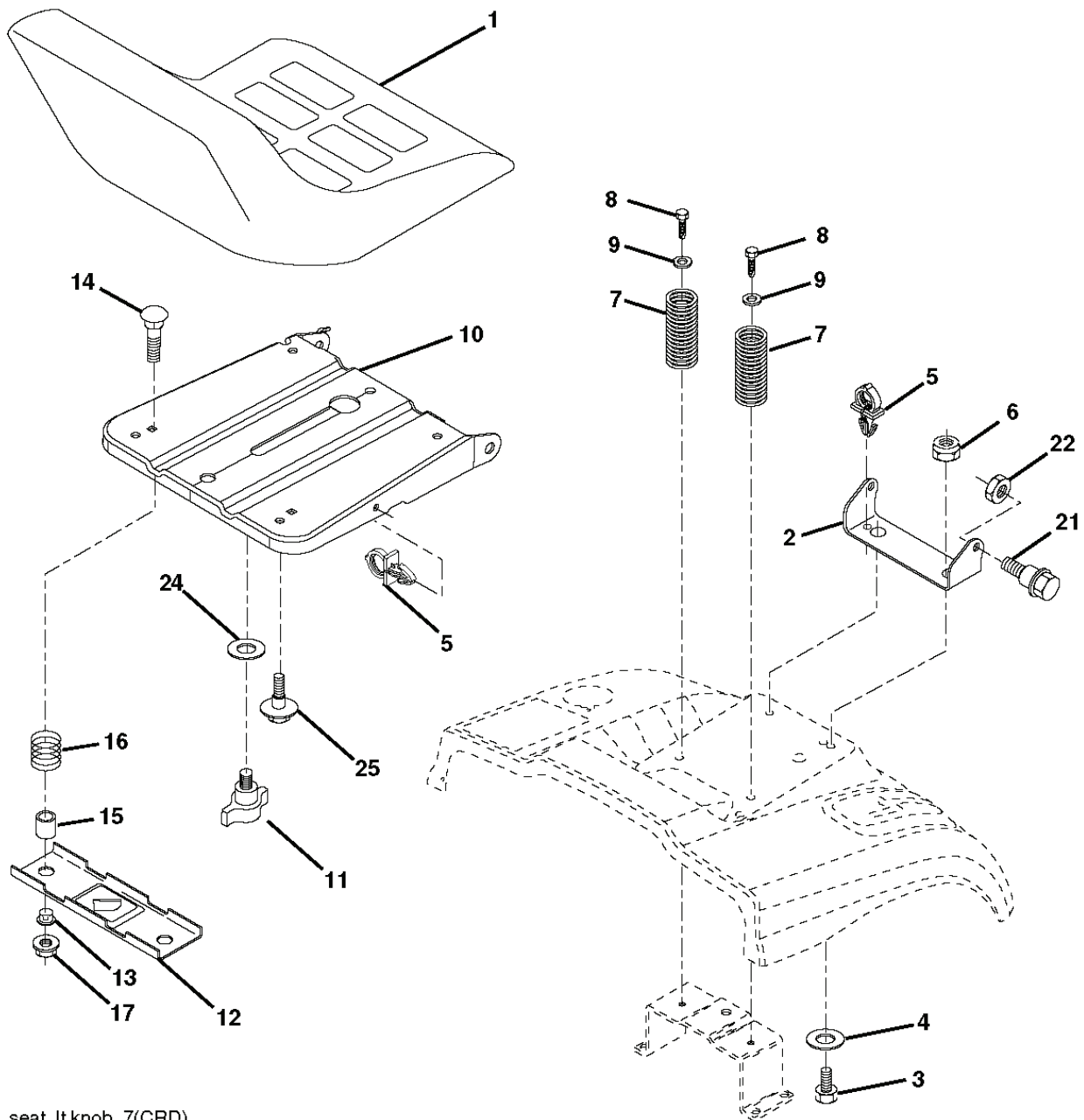
PTO SWITCH

POSITION	CIRCUIT
OFF	C + G, B + H
ON	C + F, B + E, A + D



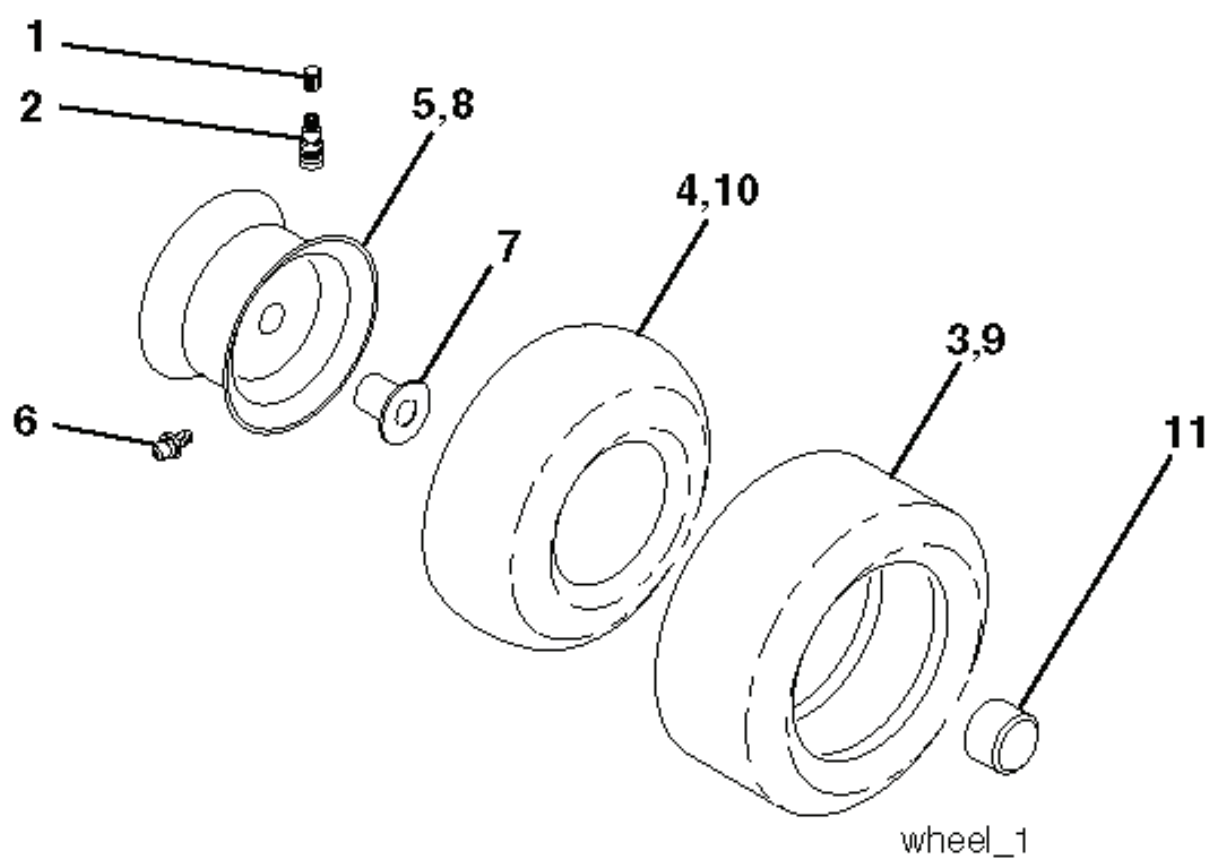
NON-REMOVABLE CONNECTIONS

REMOVABLE CONNECTIONS

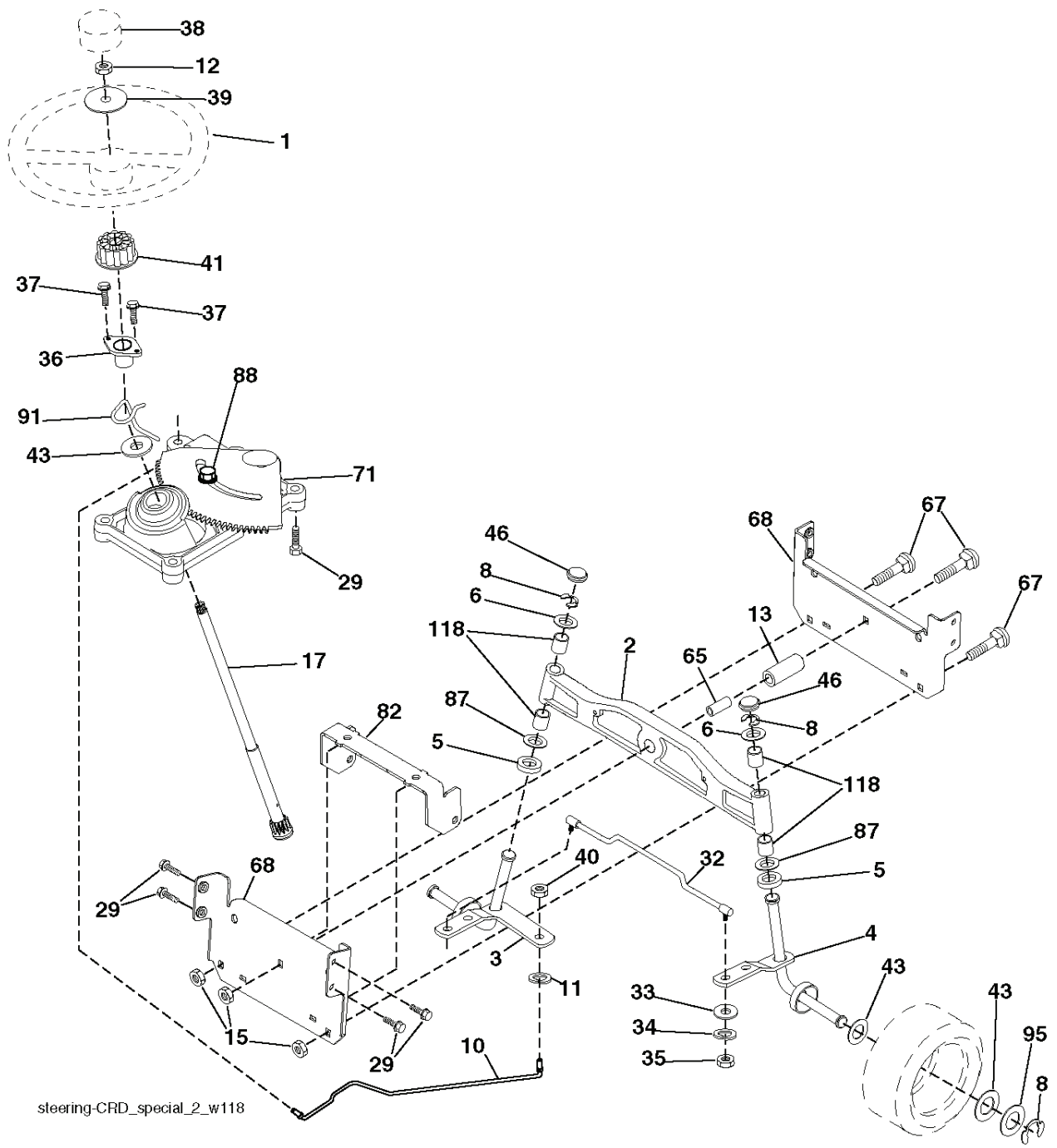


seat_it.knob_7(CRD)

REF.	PART NO.	DESCRIPTION	REMARK	QTY.	KIT
1	532188715	SIEGE CONDUCTEUR		1	
2	532140551	BRACKET		1	
3	871110616	SCREW		1	
4	819131610	WASHER		1	
5	532145006	CLIP		1	
6	873800600	NUT		1	
7	532124181	SPRING		1	
8	817000616	SCREW		1	
9	819131614	WASHER		1	
10	532195530	BERCEAU DE SIEGE CONDUCTEUR		1	
11	532166369	WING NUT		1	
12	532174648	BRACKET		1	
13	532121248	BUSHING		1	
14	872050412	BOLT		1	
15	532121249	SPACER		1	
16	532123740	SPRING		1	
17	532123976	LOCKNUT		1	
21	532171852	BOLT		1	
22	873800500	LOCK NUT		1	
24	819171912	WASHER		1	
25	532127018	BOLT		1	



REF.	PART NO.	DESCRIPTION	REMARK	QTY.	KIT
1	532059192	CAP VALVE		1	
2	532065139	NIPPLE		1	
3	532106222	TIRE		1	
4	532059904	HOSE		1	
5	532138336	RIM		1	
6	532124957	FITTING		1	
7	532124959	BEARING		1	
8	532138337	RIM.SPROCKET		1	
9	532122082	TIRE		1	
10	532124926	HOSE		1	
11	532175039	HUB CAP		1	
--	532144334	SEALING FOAM		1	



steering-CRD_special_2_w118

REF.	PART NO.	DESCRIPTION	REMARK	QTY.	KIT
1	532416480	STEERING WHEEL		1	
2	532193542	AXLE		1	
3	532169840	SPINDLE		1	
4	532169839	SPINDLE		1	
5	532124931	WASHER		1	
6	532121748	WASHER		1	
8	812000029	RETAINER RING		1	
10	532175121	ROD		1	
11	810040600	WASHER		1	
12	873940800	NUT		1	
13	532136518	PIPE		1	
15	532145212	NUT		1	
17	532177883	SHAFT		1	
29	817000612	SCREW		1	
32	532171888	ROD		1	
33	819111216	WASHER		1	
34	810040500	WASHER		1	
35	873540500	NUT		1	
36	532155105	BUSHING		1	
37	532152927	SCREW		1	
38	532415987	KNOB		1	
39	819183812	WASHER		1	
40	873540600	NUT		1	
41	532186737	ADAPTER		1	
43	532121749	WASHER		1	
46	532121232	HUB CAP		1	
65	532414736	SPACER		1	
67	872110618	BOLT		1	
68	532169827	SHAFT		1	
71	532175146	STEERING GEAR		1	
82	532199978	SUPPORT ESSIEU AVANT		1	
87	532173966	WASHER		1	
88	532175118	BOLT		1	
91	532175553	SPRING		1	
95	532188967	WASHER		1	
118	532406013	BEARING		1	
	PART NO.		REMARK		KIT