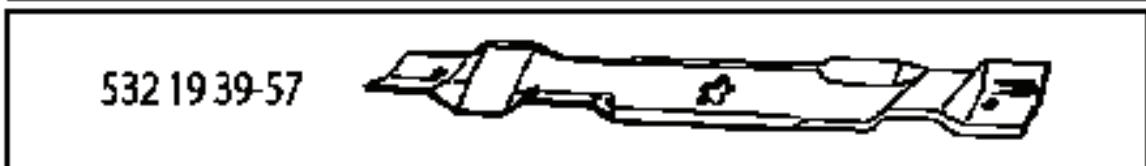
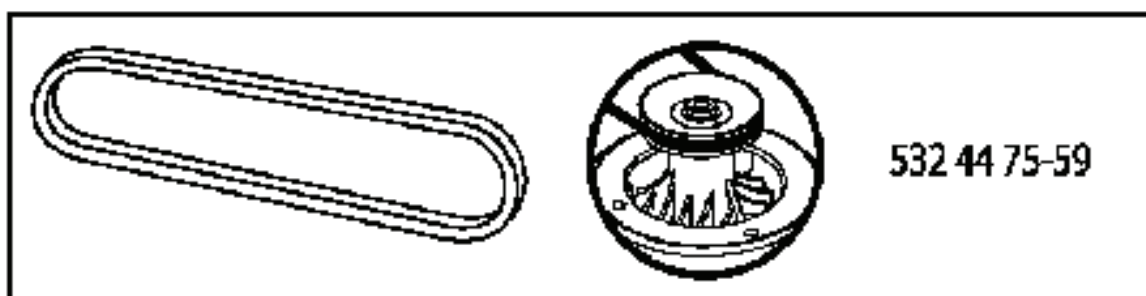
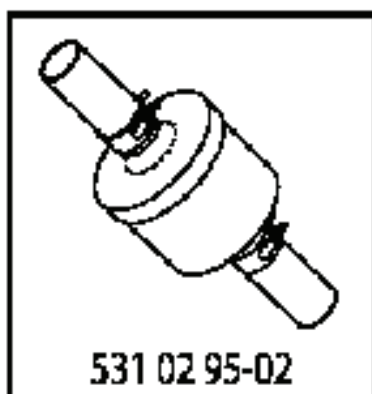
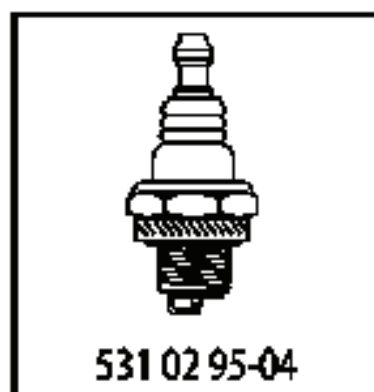
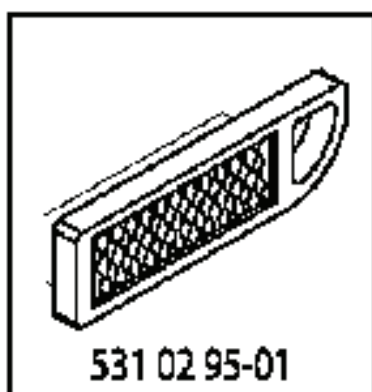
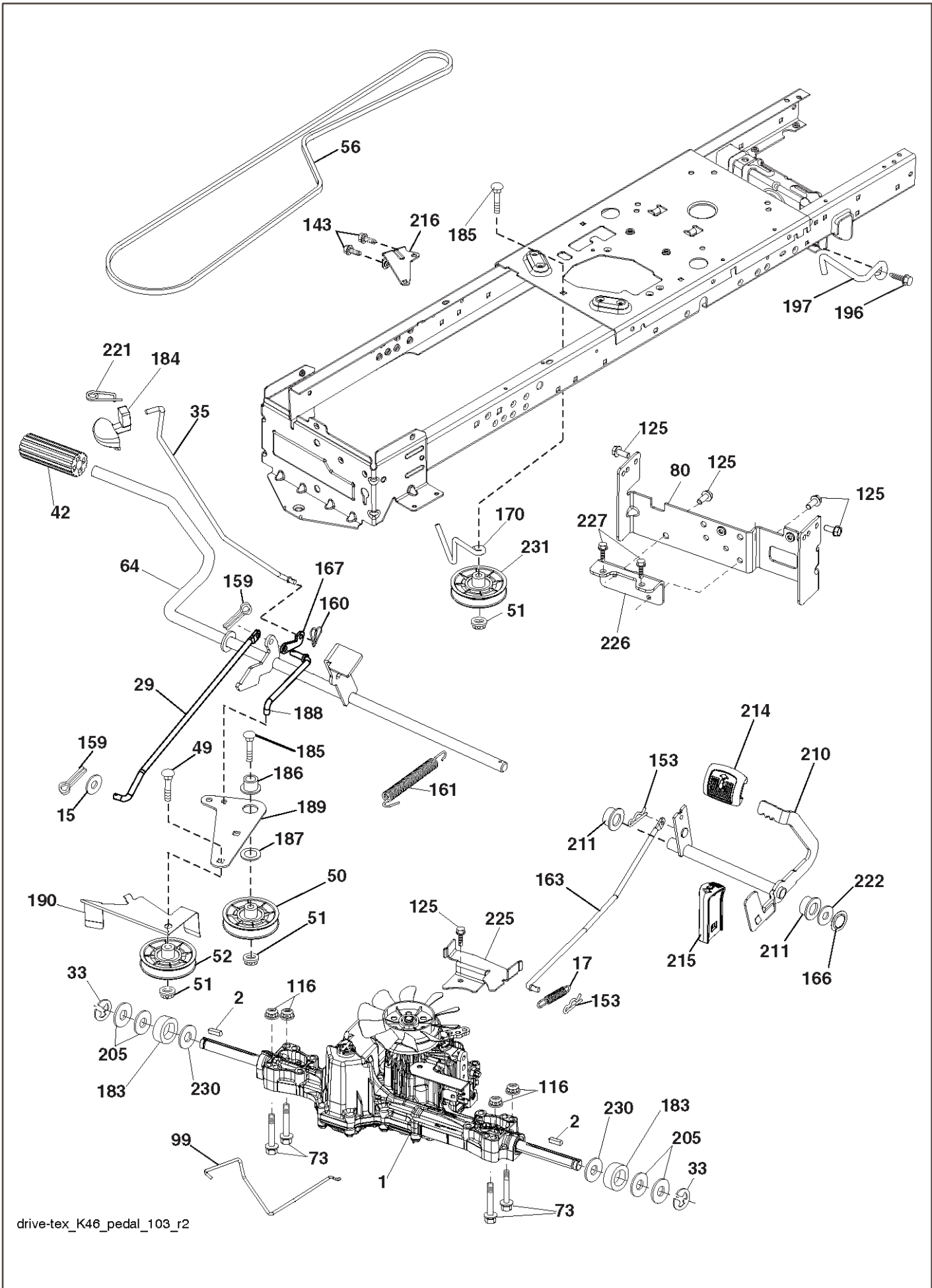


LTH 154, 96041024301, 2012-07

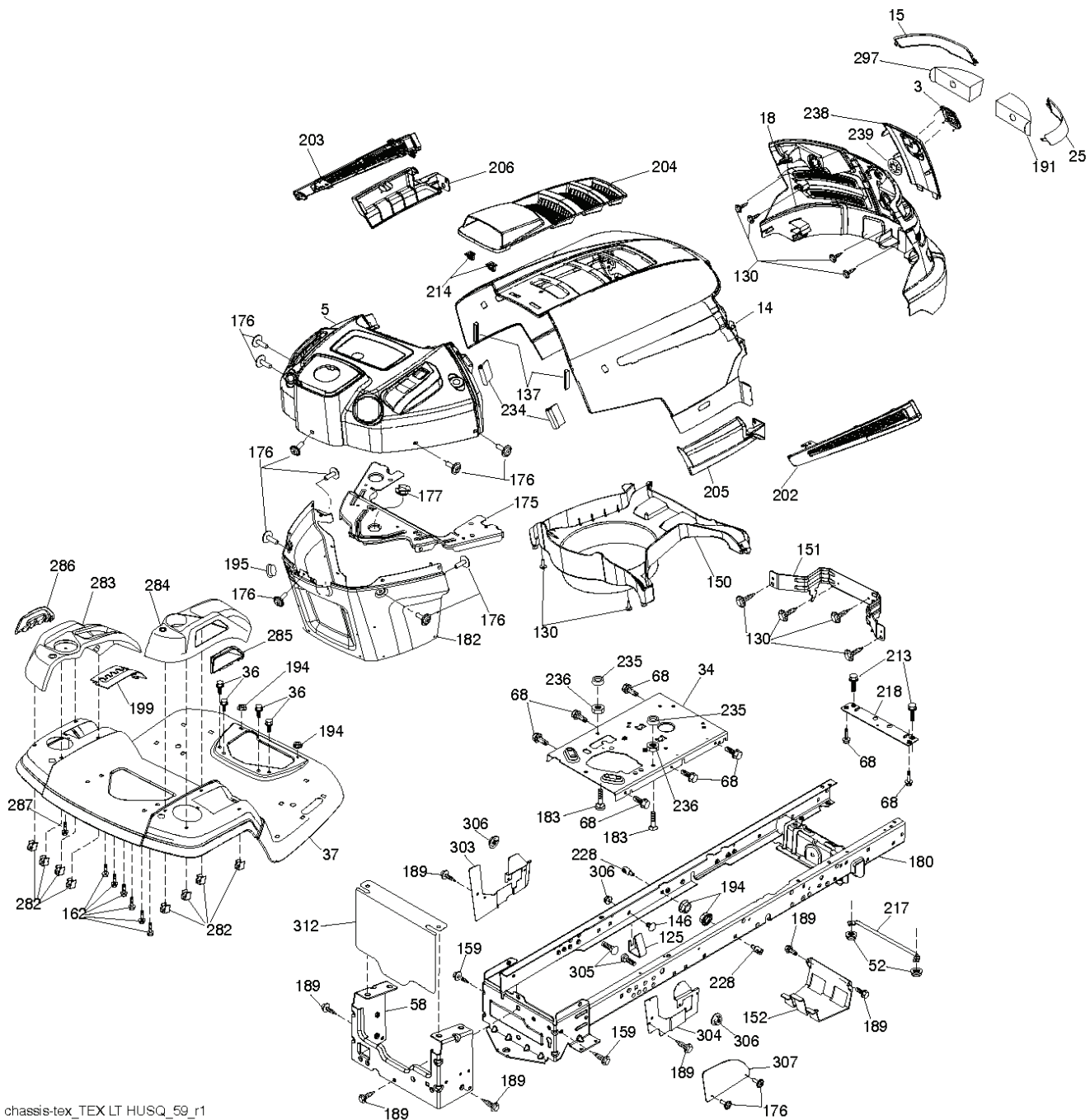
SPARE PARTS LIST



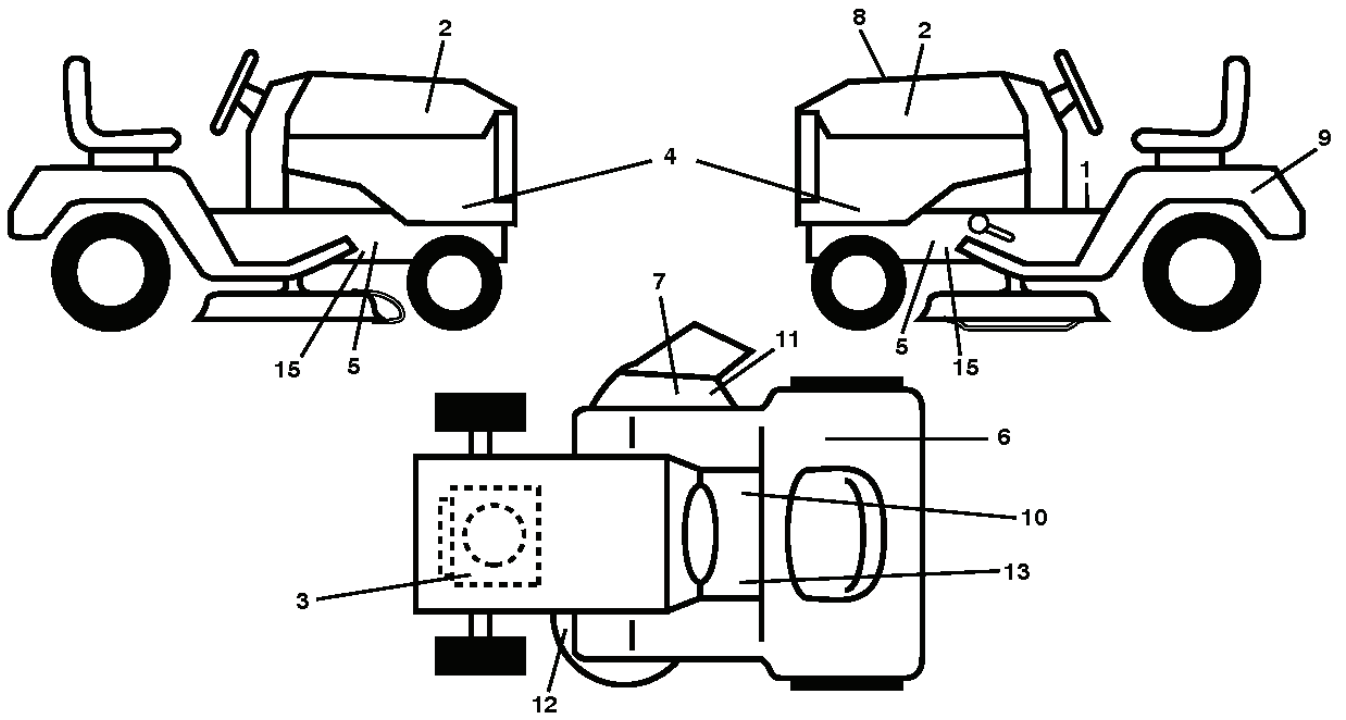
REF.	PART NO.	DESCRIPTION	REMARK	QTY.	KIT
531029501	531029501	AIR FILTER		1	
531029504	531029504	SPARK PLUG		1	
531029502	531029502	FILTER		1	
531029503	531029503	FILTER		1	
532130969	532130969	BELT		1	
532447559	532447559	BELT		1	
532193957	532193957	RIDE ON BLADE		1	



REF.	PART NO.	DESCRIPTION	REMARK	QTY.	KIT
1	000000000	W/O DESCRIPTION	TRANSAXLE TUFFTORO MODEL K46BT (426120)	1	
2	532123583	KEY		1	
15	819131316	WASHER		1	
17	532413678	SRPING.BRAKE.K46.GREEN*SUBS/2*		1	
29	532403806	ROD		1	
33	812000001	RETAINER RING		1	
35	532401031	ROD		1	
42	532124872	PEDAL RUBBER		1	
49	872110614	BOLT		1	
50	532194327	PULLEY		1	
51	873900600	NUT		1	
52	532194326	PULLEY		1	
56	532130969	BELT		1	
64	532197865	SHAFT		1	
73	874490540	BOLT		1	
80	532440619	STRAP		1	
99	532415742	ROD		1	
116	873900500	NUT		1	
125	817000512	SCREW		1	
143	817490508	SCREW		1	
153	532124788	RETAINER RING		1	
159	876020412	SPLIT PIN		1	
160	532169484	PIN		1	
161	532105709	SPRING		1	
163	532448275	CONTROL		1	
166	532429164	NUT		1	
167	532405257	LATCH		1	
170	532413430	BELT GUIDE		1	
183	532137057	SPACER		1	
184	532441407	BRAKE		1	
185	872110622	BOLT		1	
186	532194321	SPACER		1	
187	819133210	WASHER		1	
188	532194323	LINK		1	
189	532194317	PLATE		1	
190	532194318	BELT GUIDE		1	
196	817000616	SCREW		1	
197	532195804	BRACKET		1	
205	532121748	WASHER		1	
210	532400980	PEDAL ARM		1	
211	532120183	BEARING		1	
214	532421263	PAD		1	
215	532401723	PEDAL		1	
216	532196131	BRACKET		1	
221	532403187	SPRING		1	
222	879212010	WASHER		1	
225	532403319	BELT GUIDE		1	
226	532401564	BRACKET		1	
227	817490512	SCREW		1	
230	532188967	WASHER		1	
231	532407287	PULLEY		1	

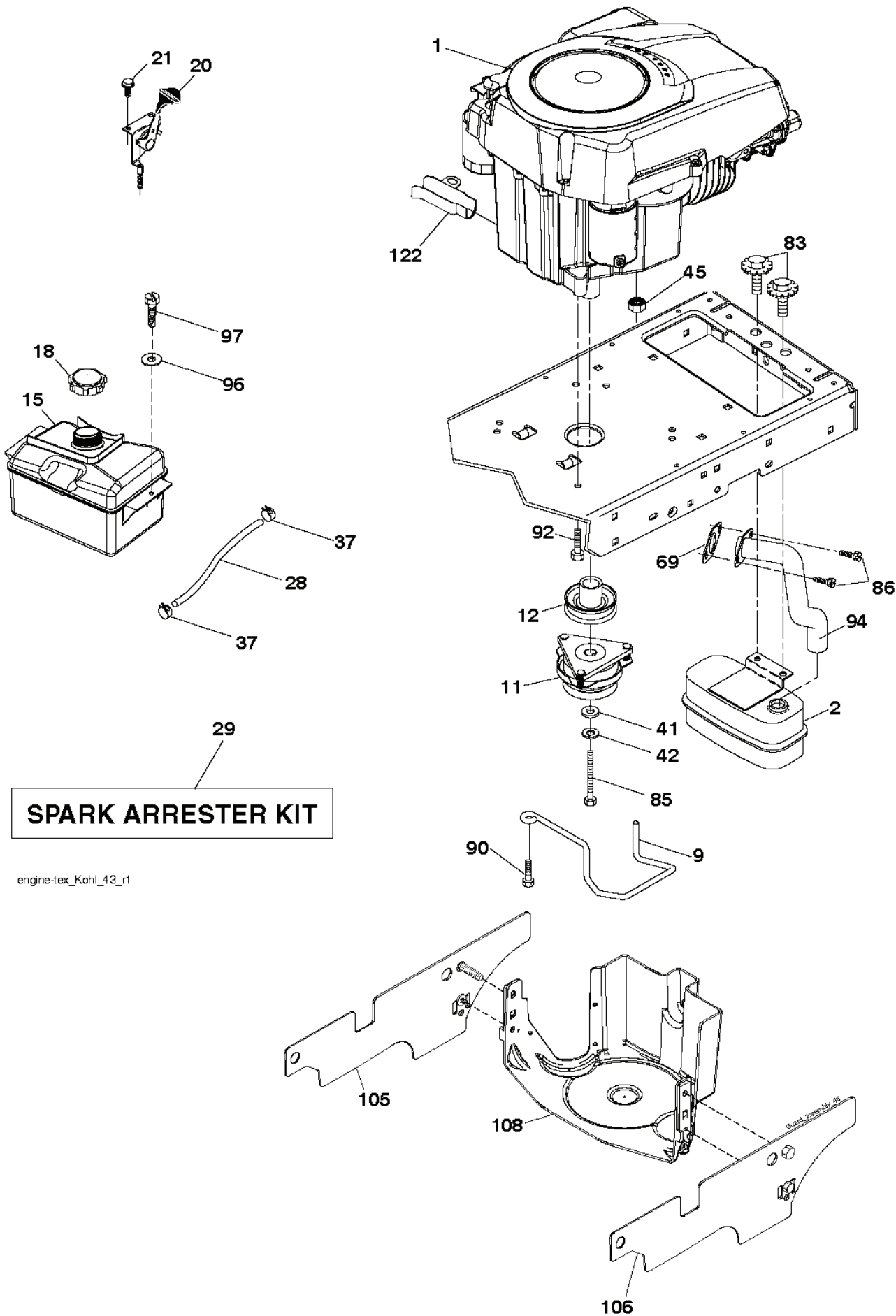


REF.	PART NO.	DESCRIPTION	REMARK	QTY.	KIT
3	581056301	LOGOTYPE		1	
5	532438966	DASH		1	
14	532441267	HOOD		1	
15	532441428	LENS		1	
18	532441368	GRILLE		1	
25	532441427	LENS		1	
34	532447253	PLATE		1	
36	817060512	SCREW		1	
37	532441266	FENDER		1	
52	873680500	NUT		1	
58	532412280	PLATE		1	
68	817490508	SCREW		1	
125	581684801	CLIP		1	
130	532416358	SCREW		1	
137	532407590	DAMPING PIECE		1	
146	581857901	BOLT		1	
150	532407537	AIR CONDUCTOR		1	
151	532407807	BRACKET		1	
152	532199535	SHIELD		1	
159	817000612	SCREW		1	
162	532142432	SCREW		1	
175	532199472	PLATE		1	
176	532400776	SCREW		1	
177	532195228	BUSHING		1	
180	532415063	FRAME		1	
182	532407176	DASH		1	
183	874520520	BOLT		1	
189	817000512	SCREW		1	
191	532416501	INSERT		1	
194	873900500	NUT		1	
195	532439976	PLUG		1	
199	532413485	PLATE		1	
202	532441342	COVER		1	
203	532441343	COVER		1	
204	532441375	COVER		1	
205	532441344	SKIRT		1	
206	532441345	SKIRT		1	
213	874760512	BOLT		1	
214	532199145	CLIP		1	
217	532409167	ROD		1	
218	532196395	PLATE		1	
228	532195161	STUD		1	
234	532404742	DAMPING PIECE		1	
235	532406129	SPACER		1	
236	873930500	NUT		1	
238	532441374	SPARE PARTS		1	
239	532404883	CLIP		1	
282	532414110	CLIP		1	
283	532442039	DECK		1	
284	532444164	CONSOLE		1	
285	532416315	CONSOLE		1	
286	532416317	CONSOLE		1	
287	817600406	SCREW		1	
297	532406665	INSERT		1	
303	532420959	SHIELD		1	
304	532421509	SHIELD		1	
305	872110606	BOLT		1	
306	873900600	NUT		1	
307	532424570	SHIELD		1	
312	532425926	SHIELD		1	



REF.	PART NO.	DESCRIPTION	REMARK	QTY.	KIT
1	532400389	LABEL		1	
2	581627301	DECAL		1	
3	532196841	DECAL		1	
4	532448069	DECAL		1	
5	532159736	DECAL		1	
6	532180432	DECAL		1	
7	532182166	DECAL		1	
8	532448060	DECAL		1	
9	532145005	DECAL		1	
10	532140837	DECAL		1	
11	532196357	DECALC."DANGER DEFLECTEUR"		1	
12	532194302	DECALC.SCHEMA MONTAGE		1	
13	532159737	DECAL		1	
15	532401146	DECAL		1	
--	532166960	DECAL		1	
--	532162598	DECAL		1	
--	532439681	PLATE		1	
--	532439682	PAD		1	

REF.	PART NO.	DESCRIPTION	REMARK	QTY.	KIT
1	532163465	BATTERY		1	
2	874760412	BOLT		1	
8	532193228	BOX		1	
16	532176138	MICRO SWITCH		1	
21	532400252	HARNESS		1	
22	532004152	BULB		1	
25	532412894	CABLE.STARTER.GGA.BL/R*SUBS/2*		1	
26	532175158	FUSE		1	
27	873510400	NUT		1	
28	532198885	CABLE		1	
29	532401545	SWITCH		1	
30	532193350	IGNITION MODULE		1	
33	532411935	KEY		1	
34	532110712	SWITCH		1	
40	532401104	CABLE ASSY		1	
41	817720408	SCREW		1	
42	532131563	COVER		1	
43	532192507	SOLENOID		1	
50	532174651	SWITCH		1	
55	817060512	SCREW		1	
71	532400449	CABLE		1	
79	532175242	HOLDER		1	
90	532435395	TERMINAL COVER		1	
102	532404454	CABLE		1	
105	532407568	SWITCH		1	

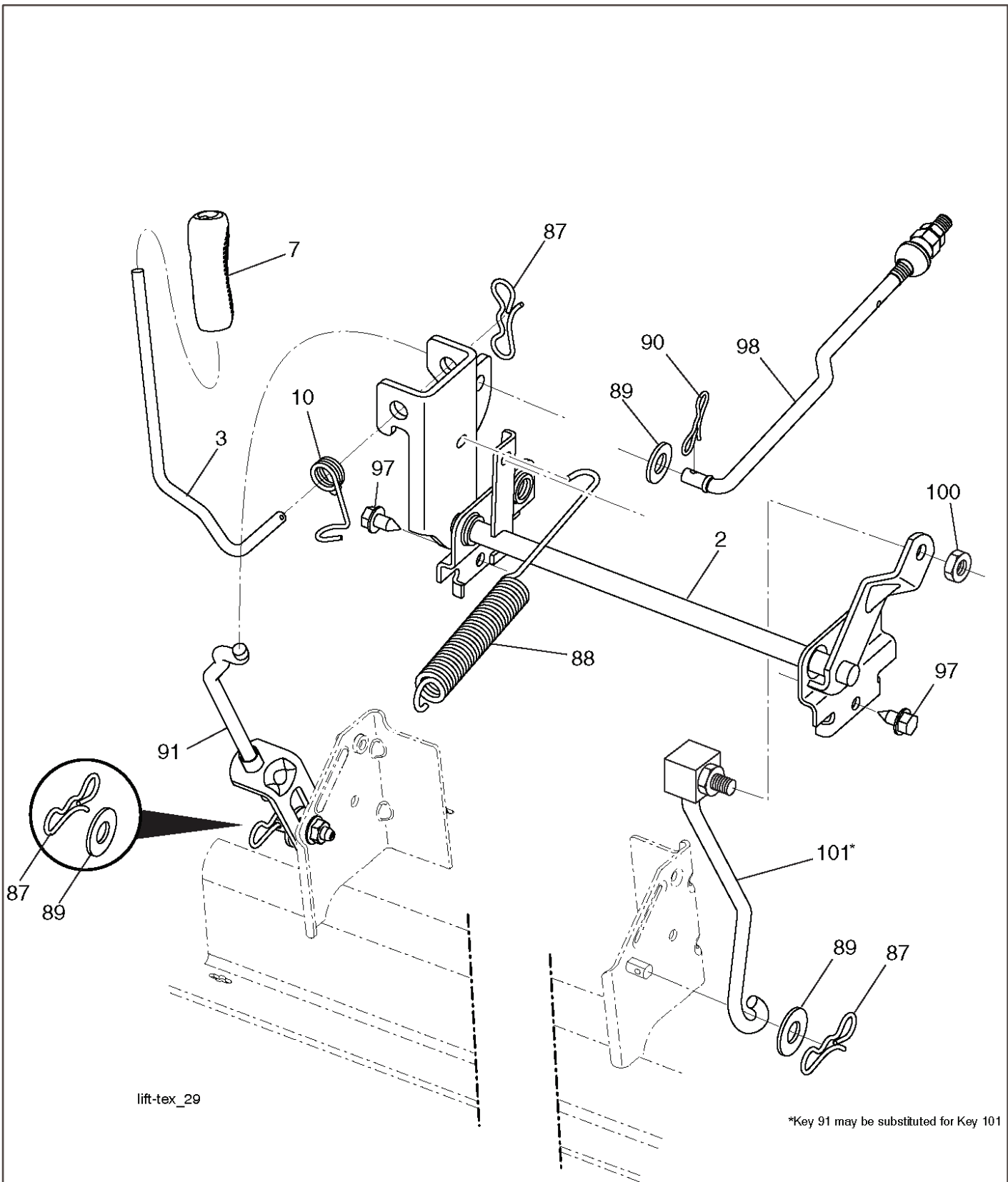


SPARK ARRESTER KIT

engine-tex_Kohl_43_r1

REF.	PART NO.	DESCRIPTION	REMARK	QTY.	KIT
1	000000000	W/O DESCRIPTION	Engine Kohl Model No. SV470-3212(438330)	1	
2	532188655	MUFFLER		1	
9	532194320	BELT GUIDE		1	
11	532180505	CLUTCH		1	
12	532405097	PULLEY		1	
15	532407545	FUEL TANK		1	
18	532430220	FUEL CAP		1	
20	532183897	CONTROL		1	
21	532416358	SCREW		1	
28	532137040	HOSE		1	
29	532137180	SPARK ARRESTER KIT		1	
37	532123487	HOSE CLAMP		1	
41	532126197	WASHER		1	
42	810040700	WASHER		1	
45	873510400	NUT		1	
69	532165291	GASKET		1	
83	532171877	BOLT		1	
85	532173937	BOLT		1	
86	532192334	SCREW		1	
90	817000616	SCREW		1	
92	817120616	SCREW		1	
94	532405450	EXHAUST.TUBE.B&S.28/31*SUBS/2*		1	
96	819091416	WASHER		1	
97	817670412	SCREW		1	
105	532440681	SHIELD		1	
106	532440680	SHIELD		1	
108	532421794	ENGINE COVER		1	
122	532421922	EXTENSION PIPE		1	

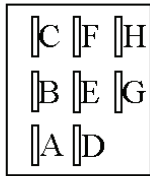
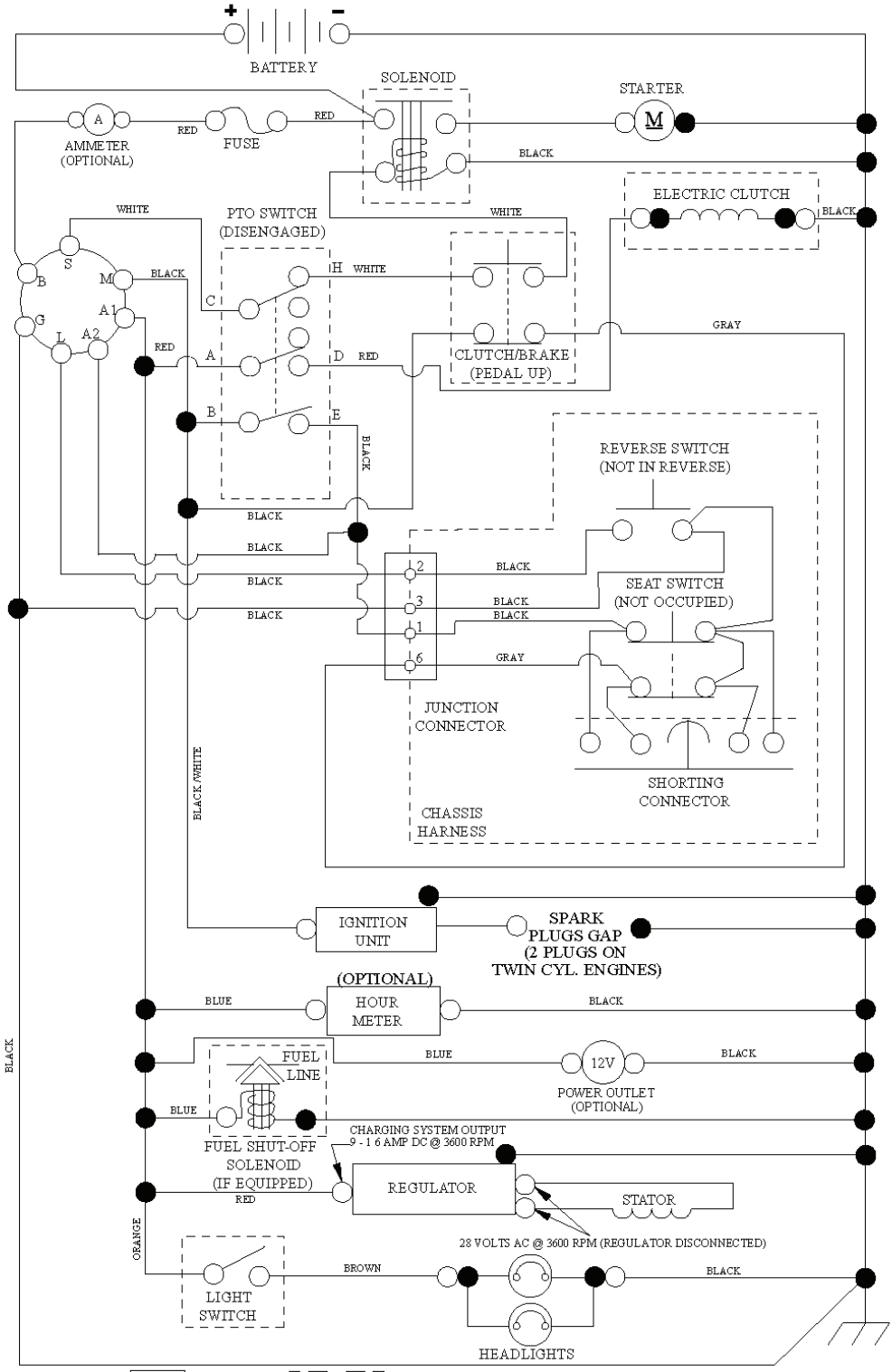
REF.	PART NO.	DESCRIPTION	REMARK	QTY.	KIT
1	532444163	HOUSING		1	
6	532195186	ARM		1	
8	532193003	SCREW		1	
11	532193957	RIDE ON BLADE		1	
13	532192872	SHAFT ASSY		1	
14	532187281	BEARING HOUSING		1	
15	532110485	BEARING		1	
19	532196539	BOLT		1	
21	873680500	NUT		1	
23	532192557	HINGE		1	
24	532105304	HUB CAP		1	
25	532197026	TORSION SPRING		1	
26	532110452	NUT		1	
27	532401618	DEFLECTOR		1	
29	532131491	SHAFT		1	
30	532173984	SCREW		1	
31	532187690	WASHER		1	
32	532153532	PULLEY		1	
33	532400234	NUT		1	
34	872110612	BOLT		1	
35	532133835	XMAS TREE FASTNER		1	
40	873900600	NUT		1	
55	532197249	ARM		1	
56	532199092	SPACER		1	
57	817000616	SCREW		1	
59	532141043	GUARD		1	
68	532447559	BELT		1	
69	872140505	BOLT		1	
115	872110505	BOLT		1	
144	532193414	BELT GUIDE		1	
145	532193197	PULLEY		1	
147	532197251	SPRING		1	
188	532195161	STUD		1	
189	873900500	NUT		1	
199	532400095	BAFFLE		1	
205	817490416	SCREW		1	
206	819091416	WASHER		1	
208	817670608	SCREW		1	
209	819133210	WASHER		1	
241	532152927	SCREW		1	
242	532415598	HOSE COUPLING		1	
243	532432363	COVER		1	
247	532432361	SHIELD		1	
248	532432360	SHIELD		1	
249	532406514	COVER		1	
251	532436087	ELASTIC STRAP		1	
--	532192870	SPINDLE		1	
--	580287001	CUTTING DECK		1	



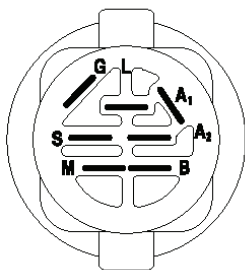
lift-tex_29

*Key 91 may be substituted for Key 101

REF.	PART NO.	DESCRIPTION	REMARK	QTY.	KIT
2	532422027	SHAFT		1	
3	532195231	LEVER		1	
7	580962301	GRIP		1	
10	532196314	SPRING		1	
87	532194209	SPRING		1	
88	532410710	SPRING		1	
89	819191912	WASHER		1	
90	532194208	PIN		1	
91	532195181	LINK		1	
97	817000612	SCREW		1	
98	532195270	LINK		1	
100	873930600	NUT		1	
101	532407003	LINK		1	

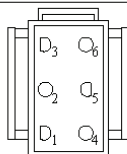


PTO SWITCH (MATING SIDE)

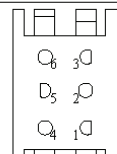


IGNITION SWITCH

POSITION	CIRCUIT	"MAKE"
OFF	M+G+A1	
RUN/OVERRIDE	B+A1	
RUN	B+A1	L+A2
START	B+S+A1	



CHASSIS HARNESS CONNECTOR (MATING SIDE)

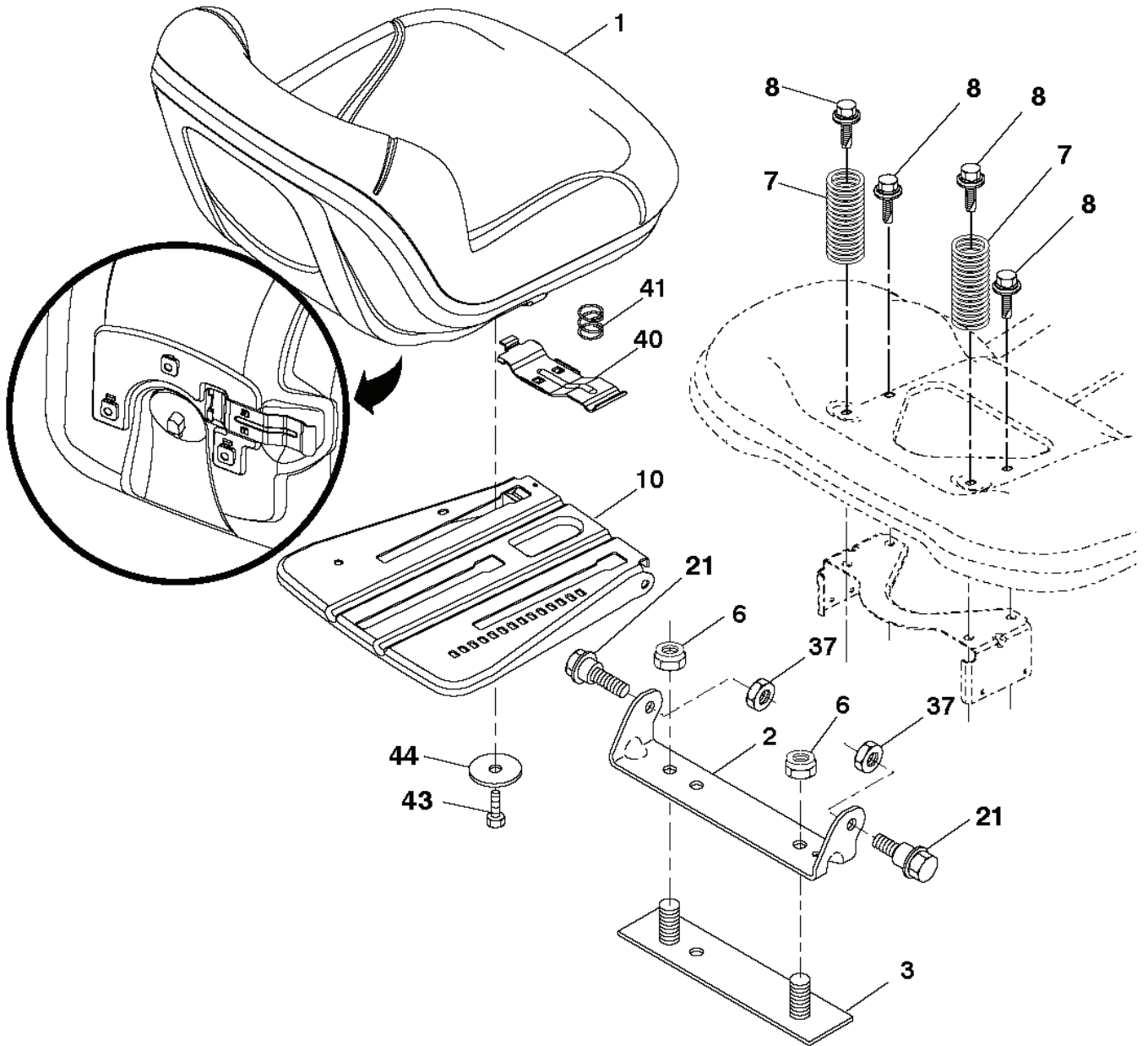


DASH HARNESS CONNECTOR

WIRING INSULATED CLIPS
NOTE: IF WIRING INSULATED CLIPS WERE REMOVED FOR SERVICING OF UNIT, THEY SHOULD BE RE-INSTALLED TO PROPERLY SECURE YOUR WIRING.

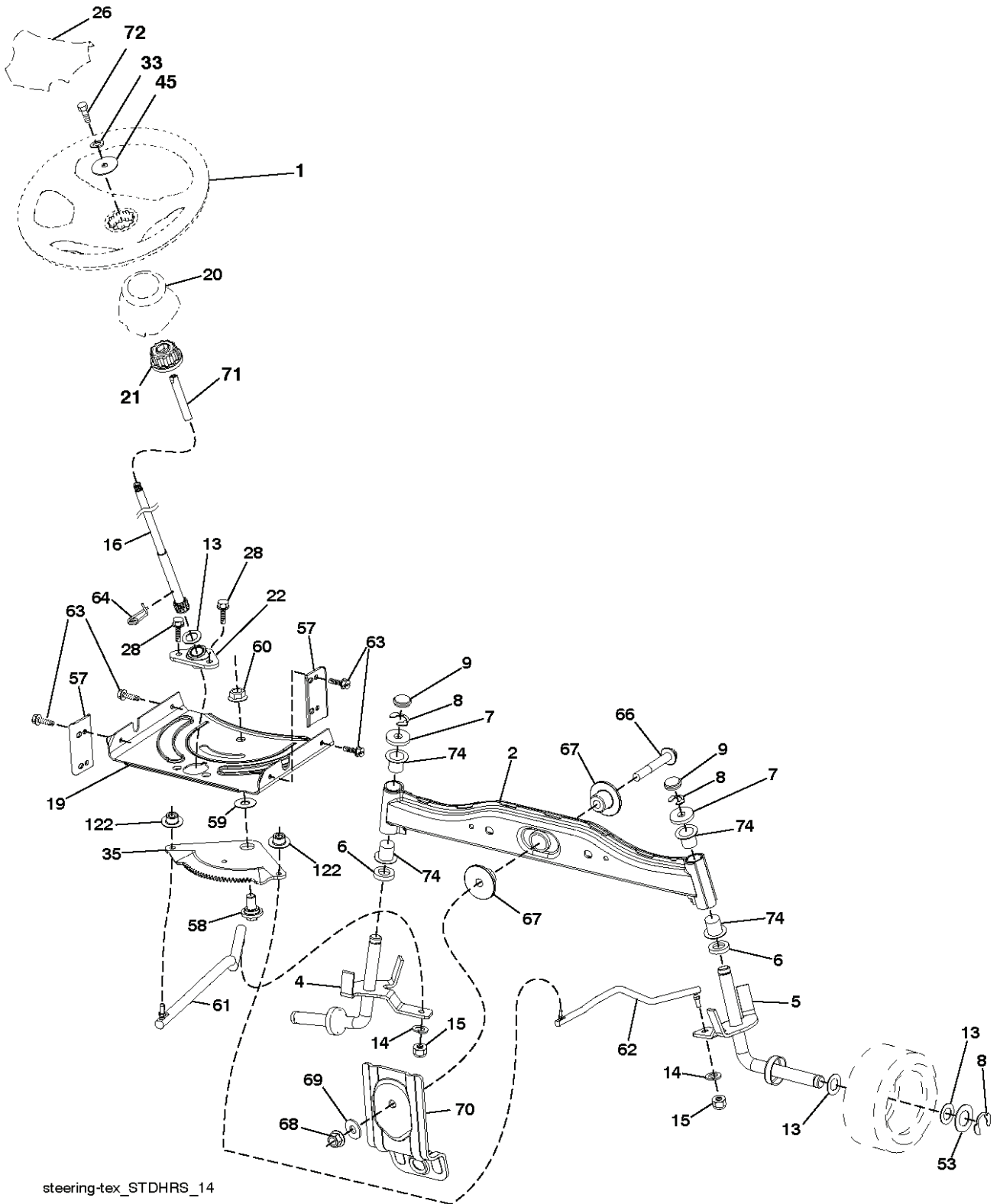
● NON-REMOVABLE CONNECTIONS

○ REMOVABLE CONNECTIONS



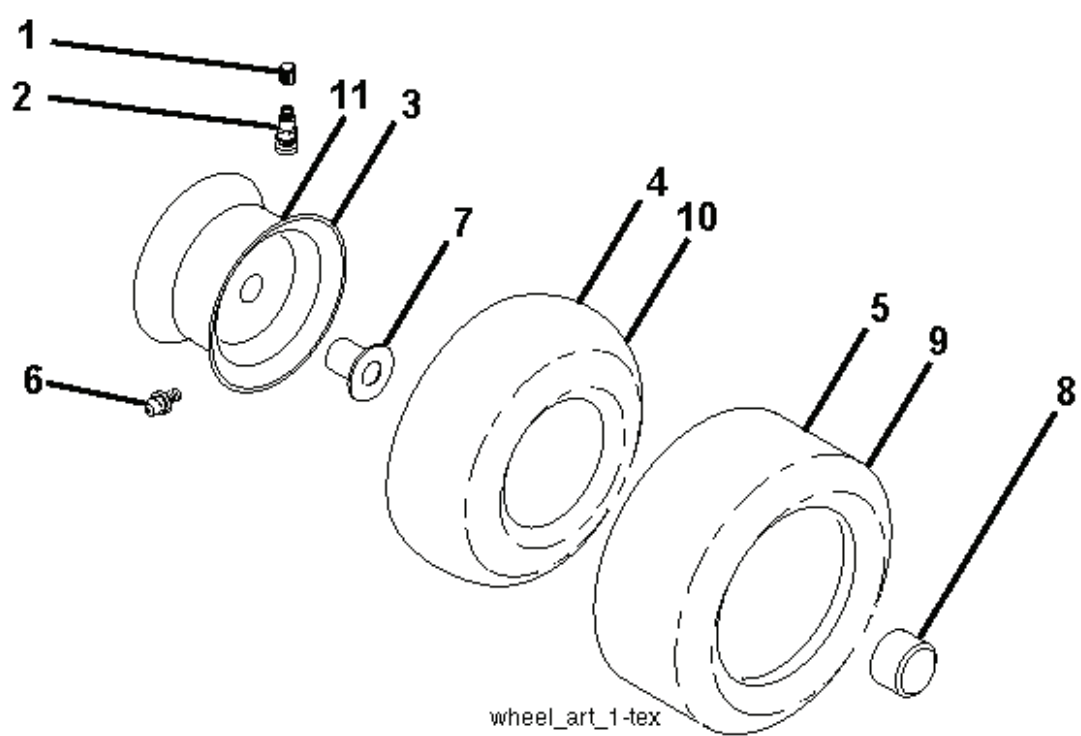
seat-tex_7A-vgt

REF.	PART NO.	DESCRIPTION	REMARK	QTY.	KIT
1	532439819	SEAT		1	
2	532180166	BRACKET		1	
3	532140675	STRAP		1	
6	873800600	NUT		1	
7	532124181	SPRING		1	
8	532171877	BOLT		1	
10	532196977	PLATE		1	
21	532171852	BOLT		1	
37	873800500	LOCK NUT		1	
40	532197661	HANDLE		1	
41	532198200	SPRING		1	
43	874760612	BOLT		1	
44	819133812	WASHER		1	



steering-tex_STDHRS_14

REF.	PART NO.	DESCRIPTION	REMARK	QTY.	KIT
1	532439740	STEERING WHEEL		1	
2	532418168	AXLE		1	
4	532403087	SPINDLE		1	
5	532403088	SPINDLE		1	
6	532124931	WASHER		1	
7	532121748	WASHER		1	
8	812000029	RETAINER RING		1	
9	532121232	HUB CAP		1	
13	532121749	WASHER		1	
14	810040600	WASHER		1	
15	873540600	NUT		1	
16	532429373	SHAFT		1	
19	532194729	PLATE		1	
20	532441425	COVER		1	
21	532186737	ADAPTER		1	
22	532420537	SUPPORT		1	
26	532439743	HUB CAP		1	
28	817000612	SCREW		1	
33	810040500	WASHER		1	
35	532194732	PLATE		1	
45	819113812	WASHER		1	
53	532188967	WASHER		1	
57	532407465	BRACKET		1	
58	532194747	BOLT		1	
59	532194748	WASHER		1	
60	873971000	NUT		1	
61	532194740	LINK		1	
62	532194741	LINK		1	
63	817000512	SCREW		1	
64	532199849	SPRING RETAINER		1	
66	871020748	BOLT		1	
67	532194737	BUSHING		1	
68	873900700	NUT		1	
69	532199162	WASHER		1	
70	532196197	BRACKET		1	
71	532190752	SHAFT		1	
72	532428982	BOLT		1	
74	532124937	BEARING COL. STRG.		1	
122	532444962	CAP		1	



wheel_art_1-tex

REF.	PART NO.	DESCRIPTION	REMARK	QTY.	KIT
1	532059192	CAP VALVE		1	
2	532065139	NIPPLE		1	
3	532138336	RIM	Front 6"	1	
4	532059904	HOSE	Front (Service Item Only)	1	
5	532106222	TIRE	Front 15 x 6.0-6	1	
6	532124957	FITTING	(Front Wheel Only)	1	
7	532124959	BEARING	(Front Wheel Only)	1	
8	532175039	HUB CAP		1	
9	532420531	TIRE	Rear 18 x 9.5-8	1	
10	532124926	HOSE	Rear (Service Item Only)	1	
11	532138337	RIM SPROCKET	Rear 8"	1	
--	532144334	SEALING FOAM		1	
	PART NO.		REMARK		KIT