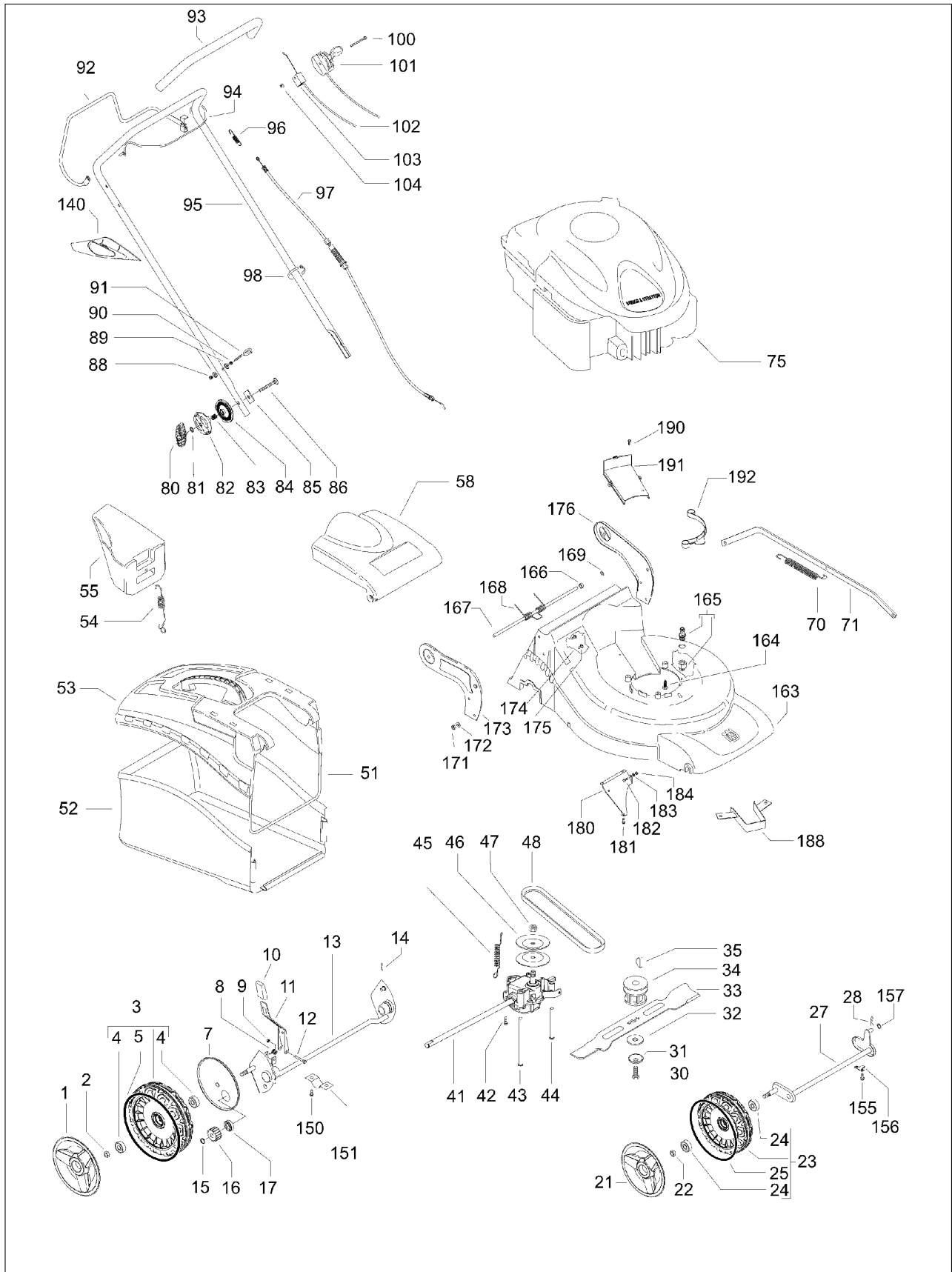


R150S, 965159501, 2008-02

SPARE PARTS LIST

Husqvarna



| REF. | PART NO. | DESCRIPTION | REMARK | QTY. | KIT |
|------|-----------|---------------------|--------|------|-----|
| 1 | 544443901 | HUB CAP | | 2 | |
| 2 | 504857801 | NUT | | 2 | |
| 3 | 502445601 | WHEEL ASSY | | 2 | |
| 4 | 504548201 | BALL BEARING | | 2 | |
| 5 | 544432801 | O-RING | | 2 | |
| 7 | 504827301 | DUST COVER | | 2 | |
| 8 | 531210817 | SPRING | | 1 | |
| 9 | 531208492 | NUT | | 1 | |
| 10 | 531207986 | KNOB | | 1 | |
| 11 | 501979901 | LIFTING LEVER ASSY | | 1 | |
| 12 | 538235807 | SCREW | | 1 | |
| 13 | 504800101 | REAR AXLE | | 1 | |
| 14 | 531206653 | PIN | | 1 | |
| 15 | 531208772 | WASHER | | 2 | |
| 16 | 544342301 | PINION | | 2 | |
| 17 | 531208778 | BEARING | | 2 | |
| 21 | 544444001 | HUB CAP | | 1 | |
| 22 | 504857801 | NUT | | 2 | |
| 23 | 502445001 | WHEEL ASSY | | 2 | |
| 24 | 504548201 | BALL BEARING | | 2 | |
| 25 | 544433101 | O-RING | | 2 | |
| 27 | 544459101 | FRONT AXLE | | 1 | |
| 28 | 531206653 | PIN | | 1 | |
| 30 | 531208008 | SCREW | | 1 | |
| 31 | 531207237 | WASHER | | 1 | |
| 32 | 504113310 | BLADE | | 1 | |
| 33 | 531207243 | WASHER | | 1 | |
| 34 | 531207848 | SUPPORT | | 1 | |
| 35 | 531204907 | KEY | | 1 | |
| 41 | 544343203 | GEARBOX | | 1 | |
| 42 | 538240862 | SCREW | | 2 | |
| 43 | 504103101 | BELT GUIDE | | 1 | |
| 44 | 544934301 | BELT GUIDE | | 1 | |
| 45 | 544934701 | SPRING | | 1 | |
| 46 | 504547901 | PULLEY | | 2 | |
| 47 | 504548001 | NUT | | 2 | |
| 48 | 504103301 | BELT | | 1 | |
| 51 | 501322401 | FRAME | | 1 | |
| 52 | 531213211 | BAG | | 1 | |
| 53 | 501322101 | COVER | | 1 | |
| 54 | 531211191 | SPRING | | 1 | |
| 55 | 531213226 | PLUG | | 1 | |
| 58 | 501322305 | DEFLECTOR | | 1 | |
| 70 | 531205056 | SPRING | | 1 | |
| 71 | 531213779 | ROD | | 1 | |
| 80 | 531205840 | KNOB | | 2 | |
| 81 | 531204922 | WASHER | | 2 | |
| 82 | 531211474 | SEGMENT | | 2 | |
| 83 | 531211476 | SPRING | | 2 | |
| 84 | 531211473 | SEGMENT | | 2 | |
| 85 | 531211581 | PLATE | | 2 | |
| 86 | 531211480 | SCREW | | 2 | |
| 88 | 531208491 | NUT | | 2 | |
| 89 | 531204961 | WASHER | | 4 | |
| 90 | 531207165 | NUT | | 2 | |
| 91 | 531205169 | PIN RETAINING SCREW | | 2 | |
| 92 | 531212676 | LOOP | | 1 | |
| 93 | 531210725 | PROTECTOR | | 1 | |
| 94 | 531205863 | LOOP | | 1 | |
| 95 | 531212039 | HANDLE | | 1 | |
| 96 | 531210573 | SPRING | | 1 | |
| 97 | 544908002 | CABLE | | 1 | |
| 98 | 531205581 | CLIP | | 2 | |
| 100 | 531213517 | SCREW | | 1 | |
| 101 | 531213491 | CONTROL | | 1 | |
| 102 | 531213522 | BRAKE WIRE | | 1 | |
| 103 | 531208043 | BRACKET | | 1 | |
| 104 | 531208491 | NUT | | 1 | |
| 140 | 544899301 | TOOL | | 1 | |
| 150 | 531207385 | SCREW | | 4 | |
| 151 | 531206652 | SUPPORT | | 2 | |
| 155 | 531207856 | SCREW | | 4 | |
| 156 | 531205536 | SUPPORT | | 2 | |
| 157 | 531204906 | WASHER | | 2 | |
| 163 | 531213493 | CHASSIS | | 1 | |
| 164 | 531212851 | SCREW | | 3 | |
| 165 | 531205848 | CONNECTOR | | 1 | |
| 166 | 531211966 | SPACER | | 1 | |

| REF. | PART NO. | DESCRIPTION | REMARK | QTY. | KIT |
|------|-----------|---------------|--------|------|-----|
| 167 | 531213344 | SHAFT | | 1 | |
| 168 | 501322501 | SPRING | | 1 | |
| 169 | 531210824 | RETAINER RING | | 1 | |
| 171 | 531207982 | NUT | | 7 | |
| 172 | 531207981 | WASHER | | 10 | |
| 173 | 531212046 | PLATE | | 1 | |
| 174 | 531205741 | SCREW | | 1 | |
| 175 | 531204921 | SCREW | | 4 | |
| 176 | 531213366 | BRACKET | | 1 | |
| 180 | 501966001 | DEFLECTOR | | 1 | |
| 181 | 531207856 | SCREW | | 2 | |
| 182 | 531207838 | SCREW | | 1 | |
| 183 | 531206666 | WASHER | | 1 | |
| 184 | 531208492 | NUT | | 1 | |
| 190 | 531207856 | SCREW | | 2 | |
| 191 | 531213225 | COVER | | 1 | |
| 192 | 531206308 | PAWL | | 1 | |